

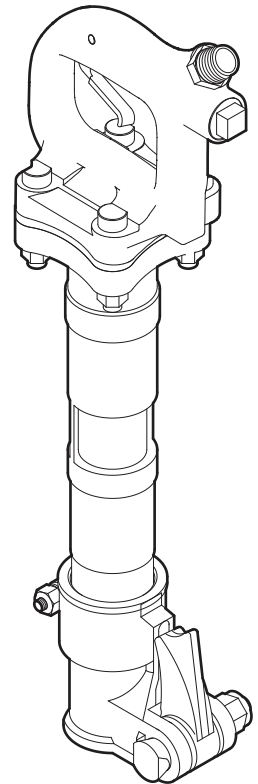


# Safety and operating instructions

## Handheld pneumatic breakers

### CP 0111 CHLA, CP 0111 CHIT

- Ⓡ **FR** Prescriptions de sécurité et instructions pour l'opérateur  
Brise-béton pneumatiques portatifs
- Ⓡ **DE** Sicherheitshinweise und Betriebsanleitung  
Hand-Druckluftschlämmer
- Ⓡ **ES** Instrucciones de seguridad y de funcionamiento  
Martillos neumáticos manuales
- Ⓡ **PT** Instruções de segurança e operação  
Demolidores pneumáticos manuais
- Ⓡ **IT** Istruzioni per la sicurezza e per l'uso  
Demolitori pneumatici manuali
- Ⓡ **NL** Veiligheidsvoorschriften en bedieningshandleiding  
Handbediende pneumatische sloophammers
- Ⓡ **GR** Οδηγίες ασφάλειας και χειρισμού  
Πνευματικοί θραυστήρες χειρός
- Ⓡ **FI** Turvallisuusohjeet ja käyttöohje  
Käsikäyttöiset paineilmaiskuvasarat
- Ⓡ **DK** Sikkerhedsinstruktioner og betjeningsvejledning  
Håndholdte tryklufthammer
- Ⓡ **NO** Sikkerhetsinstrukser og bruksanvisning  
Håndholdte pneumatiske hammere
- Ⓡ **SE** Säkerhetsinstruktion och instruktionsbok  
Handhållna tryckluftsspett





**2009-03**

**No.9800 0809 90**

© Copyright Chicago Pneumatic Construction Tools  
STOCKHÖLM • SWEDEN

# Contents

<b>ENGLISH</b> .....	4
<b>FRANÇAIS</b> .....	18
<b>DEUTSCH</b> .....	32
<b>ESPAÑOL</b> .....	46
<b>PORTUGUÊS</b> .....	60
<b>ITALIANO</b> .....	74
<b>NEDERLANDS</b> .....	88
<b>ΕΛΛΗΝΙΚΑ</b> .....	102
<b>SUOMI</b> .....	118
<b>DANSK</b> .....	132
<b>NORSK</b> .....	146
<b>SVENSKA</b> .....	160

**ENGLISH****Contents**

<b>Introduction</b> .....	5
<b>About the Safety and operating instructions</b> .....	5
<b>Safety instructions</b> .....	6
Safety signal words .....	6
Personal precautions and qualifications .....	6
Installation, precautions .....	6
Operation, precautions .....	7
Storage, precautions .....	9
Maintenance, precautions .....	9
<b>Overview</b> .....	10
Design and function .....	10
Choosing the correct pneumatic breaker for a task .....	10
Main parts .....	10
Signs and stickers .....	10
<b>Installation</b> .....	11
Hoses and connections .....	11
Methods to prevent freezing .....	11
Connecting a water separator .....	11
Lubrication .....	11
Insertion tool .....	12
<b>Operation</b> .....	12
Start and stop .....	13
Operating .....	13
When taking a break .....	13
<b>Maintenance</b> .....	13
Every day .....	14
Periodic maintenance .....	14
Assembly instructions .....	14
<b>Troubleshooting</b> .....	14
<b>Storage</b> .....	15
<b>Disposal</b> .....	15
<b>Technical data</b> .....	16
Machine data .....	16



## Introduction

Thank you for choosing Chicago Pneumatic as a supplier for tools and services.

Chicago Pneumatic is a global company offering a wide range of pneumatic and hydraulic tools that include breakers, rock drills, chipping hammers, clay-diggers, picks and busters, scabblers, pumps and a whole lot more.

In 2001 Chicago Pneumatic Tool Company celebrated 100 years as a pioneer and market-leader in the pneumatic tool industry. Chicago Pneumatic has always focused on providing powerful and reliable products that are easy to maintain and that give good value for money. It's a philosophy that has made us the marketleader for air tools in the USA.

Read more at [www.cp.com](http://www.cp.com)

## About the Safety and operating instructions

The aim of the instructions is to provide you with knowledge of how to use the pneumatic breaker in an efficient, safe way. The instructions also give you advice and tell you how to perform regular maintenance on the pneumatic breaker.

Before using the pneumatic breaker for the first time you must read these instructions carefully and understand all of them.



## Safety instructions

To reduce risk of serious injury or death to yourself or others, read these safety instructions before operating the machine.

Post these safety instructions at work locations, provide copies to employees, and make sure that everyone reads the safety instructions before operating or servicing the machine.

Comply with all safety regulations.

## Safety signal words

The safety signal words Danger, Warning and Caution have the following meanings:

<b>DANGER</b>	Indicates a hazardous situation which, if not avoided, will result in death or serious injury.
<b>WARNING</b>	Indicates a hazardous situation which, if not avoided, could result in death or serious injury.
<b>CAUTION</b>	Indicates a hazardous situation which, if not avoided, could result in minor or moderate injury.

## Personal precautions and qualifications

Only qualified and trained persons may operate or maintain the machine. Always use your common sense and good judgement.

### Personal protective equipment

Always use approved protective equipment. Operators and all other persons in the working area must wear protective equipment, including at a minimum:

- > Protective helmet
- > Hearing protection
- > Impact resistant eye protection with side protection
- > Respiratory protection when appropriate
- > Protective gloves
- > Proper protective boots
- > Appropriate work overall or similar clothing (not loose-fitting) that covers your arms and legs.

### Drugs, alcohol or medication

#### ▲ **WARNING** Drugs, alcohol or medication

Drugs, alcohol or medication may impair your judgment and powers of concentration. Poor reactions and incorrect assessments can lead to severe accidents or death.

- ▶ Never use the machine when you are tired or under the influence of drugs, alcohol or medication.
- ▶ No person who is under the influence of drugs, alcohol or medication may operate the machine.

## Installation, precautions

#### ▲ **DANGER** Whipping air hose

A compressed air hose that comes loose can lash around and cause personal injury or death.

- ▶ Check that the compressed air hose and the connections are not damaged.
- ▶ Check that all compressed air connections are properly attached.
- ▶ Never attempt to disconnect a compressed air hose that is pressurized. First switch off the compressed air at the compressor and then bleed the machine by activating the start and stop device.
- ▶ Never point a compressed air hose at yourself or anyone else. To avoid the risk of getting injured, never use compressed air to blow for example dust, dirt etc. from your clothes.

#### ▲ **WARNING** Ejected insertion tool

If the tool retainer on the machine is not in a locked position, the inserted tool can be ejected with force, which can cause personal injury.

- ▶ Never start the machine while changing the insertion tool.
- ▶ Before changing the insertion tool, stop the machine, switch off the compressed air supply and bleed the machine by activating the start and stop device.
- ▶ Never point the inserted tool at yourself or anyone else.
- ▶ Make sure that the insertion tool is fully inserted and the tool retainer is in a locked position before the machine is started.
- ▶ Check the lock function by pulling the inserted tool outwards forcefully.



### **▲ WARNING Moving / Slipping insertion tool**

An incorrect dimension of the inserted tool's shank can result in that the inserted tool is lost or is slipping out during operation. Risk of severe injury or crushed hands and fingers.

- ▶ Check that the insertion tool has the shank length and dimensions that the machine is intended for.
- ▶ Never use an insertion tool without a collar.

## **Operation, precautions**

### **▲ DANGER Explosion hazard**

If an insertion tool comes into contact with explosives or explosive gases, an explosion could occur. During operating with certain materials, sparks and ignition can occur. Explosions will lead to severe injuries or death.

- ▶ Never operate the machine in any explosive environment.
- ▶ Never use the machine near flammable materials, fumes or dust.
- ▶ Make sure that there are no undetected sources of gas or explosives.

### **▲ WARNING Unexpected movements**

The inserted tool is exposed to heavy strains when the machine is used. The inserted tool may break due to fatigue after a certain amount of use. If the inserted tool breaks or gets stuck, there may be sudden and unexpected movement that can cause injuries. Furthermore, losing your balance or slipping may cause injury.

- ▶ Make sure that you always keep a stable position with your feet as far apart as your shoulder width, and keeping a balanced body weight.
- ▶ Always inspect the equipment prior to use. Never use the equipment if you suspect that it is damaged.
- ▶ Make sure that the handles are clean and free of grease and oil.
- ▶ Keep your feet away from the inserted tool.
- ▶ Stand firmly and always hold on to the machine with both hands.
- ▶ Never start the machine when it is lying on the ground.
- ▶ Never 'ride' on the machine with one leg over the handle.

- ▶ Never strike or abuse the equipment.
- ▶ Check regularly for wear on the insertion tool, and check whether there are any signs of damage or visible cracks.
- ▶ Pay attention and look at what you are doing.

### **▲ WARNING Silica hazard**

Exposure to crystalline silica (sometimes called 'silica dust') as a result of breaking, drilling, hammering, or other activities involving rock, concrete, asphalt or other materials may cause silicosis (a serious lung disease), silicosis-related illnesses, cancer, or death. Silica is a major component of rock, sand and mineral ores. To reduce silica exposure:

- ▶ Use proper engineering controls to reduce the amount of silica in the air and the build-up of dust on equipment and surfaces. Examples of such controls include: exhaust ventilation and dust collection systems, water sprays, and wet drilling. Make sure that controls are properly installed and maintained.
- ▶ Wear, maintain, and correctly use approved particulate respirators when engineering controls alone are not adequate to reduce exposure below permissible levels.
- ▶ Participate in air monitoring, medical exams, and training programs offered by your employer and when required by law.
- ▶ Wear washable or disposable protective clothes at the worksite; shower and change into clean clothes before leaving the worksite to reduce exposure of silica to yourself, other persons, cars, homes, and other areas.
- ▶ Never eat, drink, or use tobacco products in areas where there is dust containing crystalline silica.
- ▶ Wash your hands and face before eating, drinking, or using tobacco products outside of the exposure area.
- ▶ Work with your employer to reduce silica exposure at your worksite.



**▲ WARNING Dust hazard**

Some dusts, fumes or other airborne material created during use of the machine may contain chemicals known to the State of California to cause cancer and birth defects or other reproductive harm. Some examples of such chemicals are:

- > Crystalline silica, cement and other masonry products.
- > Arsenic and chromium from chemically-treated rubber.
- > Lead from lead-based paints.
- ▶ To reduce your exposure to these chemicals, work in a well ventilated area and work with approved safety equipment, such as dust masks that are specially designed to filter out microscopic particles.

**▲ WARNING Projectiles**

During operating, splinters or other particles from the working material may become projectiles and cause personal injury by striking the operator or other persons.

- ▶ Use approved personal protective equipment, including impact resistant eye protection with side protection.
- ▶ Make sure that no unauthorised persons trespass into the working zone.
- ▶ Keep the workplace free from foreign objects.

**▲ WARNING Vibration hazards**

Normal and proper use of the machine exposes the operator to vibration. Regular and frequent exposure to vibration may cause, contribute to, or aggravate injury or disorders to the operator's fingers, hands, wrists, arms, shoulders and, or other body parts, including debilitating and, or permanent injuries or disorders that may develop gradually over periods of weeks, months, or years. Such injury or disorder may include damage to the blood circulatory system, damage to the nervous system, damage to joints, and possibly damage to other body structures.

If numbness, tingling, pain, clumsiness, weakened grip, whitening of the skin, or other symptoms occur at any time, when operating the machine or when not operating the machine, do not resume operating the machine and seek medical attention. Continued use of the machine after the occurrence of any such symptom may increase the risk of symptoms becoming more severe and, or permanent.

The following may help to reduce exposure to vibration for the operator:

- ▶ Let the tool do the job. Use a minimum hand grip consistent with proper control and safe operation.
- ▶ When the percussion mechanism is activated, the only body contact with the machine you should have are your hands on the handle/handles. Avoid any other contact, for example supporting any part of the body against the machine or leaning onto the machine trying to increase the feed force. It is also important not to keep the start and stop device engaged while extracting the tool from the broken work surface.
- ▶ Make sure that the inserted tool is well-maintained (including sharpness, if a cutting tool), not worn out, and of the proper size. Insertion tools that are not well-maintained, or that are worn out, or that are not of the proper size result in longer time to complete a task (and a longer period of exposure to vibration) and may result in or contribute to higher levels of vibration exposure.
- ▶ Immediately stop working if the machine suddenly starts to vibrate strongly. Before resuming the work, find and remove the cause of the increased vibrations.
- ▶ Never grab, hold or touch the inserted tool when using the machine.
- ▶ Participate in health surveillance or monitoring, medical exams and training programs offered by your employer and when required by law.





See the "Noise and vibration declaration statement" for the machine, including the declared vibration values and "Additional vibration information". This information can be found at the end of these safety and operation instructions.

- ◆ Comply with the recommended air-pressure when operating the machine. Either higher or lower air-pressure has the potential of resulting in higher levels of vibration.

### **▲ DANGER Electrical hazard**

The machine is not electrically insulated. If the machine comes into contact with electricity, serious injuries or death may result.

- ▶ Never operate the machine near any electric wire or other source of electricity.
- ▶ Make sure that there are no concealed wires or other sources of electricity in the working area.

### **▲ WARNING Concealed object hazard**

During operating, concealed wires and pipes constitute a danger that can result in serious injury.

- ▶ Check the composition of the material before operating.
- ▶ Watch out for concealed cables and pipes e.g. electricity, telephone, water, gas and sewage lines etc.
- ▶ If the inserted tool seems to have hit a concealed object, switch off the machine immediately.
- ▶ Make sure that there is no danger before continuing.

### **▲ WARNING Involuntary start**

Involuntary start of the machine may cause injury.

- ▶ Keep your hands away from the start and stop device until you are ready to start the machine.
- ▶ Learn how the machine is switched off in the event of an emergency.
- ▶ Release the start and stop device immediately in all cases of power supply interruption.
- ▶ Whenever fitting/removing the insertion tool switch off the air supply and disconnect the machine from the power source. Bleed the machine by pressing the start and stop device.

### **▲ WARNING Noise hazard**

High sound levels may cause permanent hearing loss.

- ▶ Use hearing protection in accordance with occupational health and safety regulations.

## **Storage, precautions**

- ◆ Keep the machine and tools in a safe place, out of the reach of children and locked up.

## **Maintenance, precautions**

### **▲ WARNING Machine modification**

Any machine modification may result in bodily injuries to yourself or others.

- ▶ Never modify the machine.
- ▶ Always use original parts and accessories approved by Chicago Pneumatic.
- ▶ Change damaged parts immediately.
- ▶ Replace worn components in good time.

### **▲ CAUTION Hot insertion tool**

The tip of the insertion tool becomes hot when used. Touching it can lead to burns.

- ▶ Never touch a hot insertion tool.
- ▶ Wait until the insertion tool has cooled down before carrying out maintenance work.

## Overview

**To reduce the risk of serious injury or death to yourself or others, read the Safety instructions section found on the previous pages of this manual before operating the machine.**

## Design and function

The CP 0111 handheld pneumatic breaker is designed for light- to medium constructions and plant maintenance work.

CP 0111 CHLA and CP 0111 CHIT are fitted with a D-handle and can be used both horizontally and vertically.

No other use is permitted.

To choose the correct insertion tool, see the spare parts list.

## Choosing the correct pneumatic breaker for a task

It is important to choose the correct size of pneumatic breaker for the work to be performed.

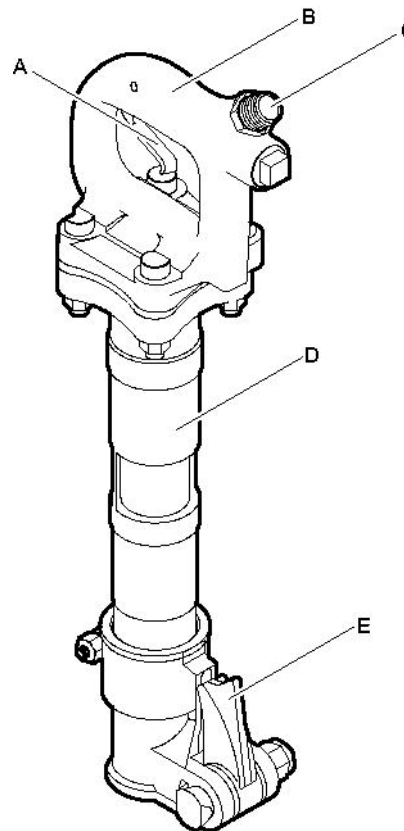
A pneumatic breaker that is too small means that the work will take longer.

A breaker that is too big means that there must be frequent repositioning, which is unnecessarily tiring for the operator.

A simple rule for choosing the correct size of pneumatic breaker is that a normal sized piece of broken material should be removed from the workpiece within 10–20 seconds operation.

- > If it takes less than 10 seconds a smaller pneumatic breaker should be selected.
- > If it takes more than 20 seconds a larger pneumatic breaker should be selected.

## Main parts



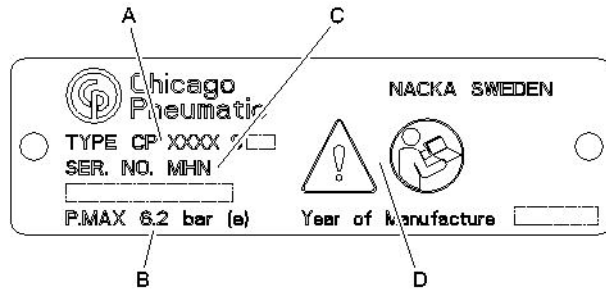
- A. Trigger
- B. Handle
- C. Air inlet
- D. Cylinder
- E. Latch (tool retainer)

## Signs and stickers

The machine is fitted with signs and stickers containing important information about personal safety and machine maintenance. The signs and stickers shall always be easy to read. New signs and stickers can be ordered by using the spare parts list.



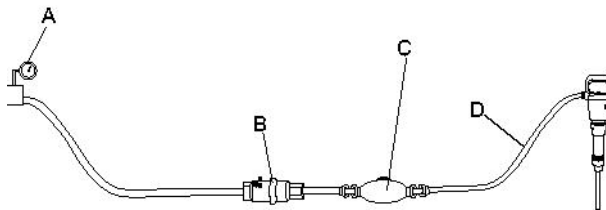
## Data plate



- A. Machine type
- B. Maximum permitted compressed air pressure
- C. Serial number
- D. The warning symbol together with the book symbol means that the user must read the safety and operating instructions before the machine is used for the first time.

## Installation

### Hoses and connections



- A. Compressed air source
  - B. Water separator (optional)
  - C. Oiler (optional)
  - D. Max. 10 feet compressed air hose between the oiler and the machine.
- ◆ Check that you are using the correct recommended operating pressure, 87 psig (6 bar (e)).
  - ◆ The maximum permissible air pressure, 90 psig (6.2 bar (e)), must not be exceeded.
  - ◆ Blow any impurities out of the compressed air hose before connecting it to the machine.

- ◆ Select the correct dimension and length for the compressed air hose. For hose lengths up to 100 feet (30 m), a hose with a minimum internal diameter of  $\frac{3}{4}$  in. (19 mm) should be used. If the hose length is between 100 and 300 feet (30-90 m), a hose with a minimum internal diameter of 1 in. (25 mm) should be used.

### Methods to prevent freezing

Ice formation in the muffler can occur when the ambient air temperature is 32-50 °F (0-10 °C) and the relative humidity is high.

The machine is designed to avoid the formation of ice in the muffler. Despite this, under extreme conditions ice can form in the muffler.

The following actions can be taken to further counteract the risk of ice formation:

- ◆ Use an air tool oil containing antifreeze agents.
- ◆ Use a water separator.

### Connecting a water separator

The length of the air hose between the compressor and the water separator must be such that the water vapor is cooled and condenses in the hose before reaching the water separator.

If the ambient temperature is below 32 °F (0 °C) the hose must be short enough to prevent the water from freezing before reaching the water separator.

### Lubrication

#### Lubrication

The lubricant is important for the machine's function and has a great impact on the service life. In order to supply the correct volume of oil, an oiler should be connected to the air hose. The use of Chicago Pneumatic air line oiler is recommended. To guarantee good lubrication, the length of the air hose between the oiler and the pneumatic tool should not exceed 10 feet (3 m).

Too much lubrication can cause starting problems, low power or uneven performance.

Recommended Lubricant: Air tool oil with a viscosity of 100-150 SUS at 100°F (ISO VG 22–32).

It is recommended that the oil contains a rust-inhibitor.

## Insertion tool

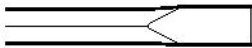
### Selecting the right insertion tool

Selecting the right insertion tool is a precondition for proper machine function. It is important to select insertion tools of high quality to avoid unnecessary machine damage.

The machine can be destroyed if you use an incorrect insertion tool.

Recommended insertion tools are listed in the machine's spare parts list.

### Narrow chisel



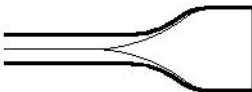
The narrow chisel is used for demolition and cutting work in concrete and other types of hard materials.

### Moil point



The moil point is only used for making holes in concrete and other types of hard materials.

### Wide bladed chisel

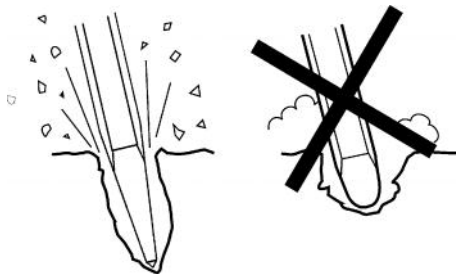


The wide bladed chisel is used in soft materials, such as asphalt and frozen ground.

### ▲ WARNING Vibration hazard

Using inserted tools that do not fulfil the criterias mentioned below, will result in a longer time to complete a task, and may result in higher levels of vibration exposure. A worn tool will also cause increased working time.

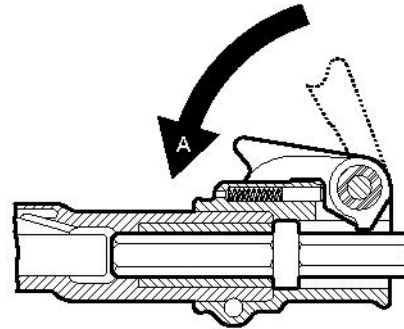
- ▶ Make sure that the inserted tool is well-maintained, not worn out and of proper size.
- ▶ Always use a sharp tool in order to work efficiently.



### Fitting and removing the insertion tool

Whenever fitting or removing the insertion tool the following instructions must be observed:

1. To prevent an accidental start: switch off the air supply and disconnect the machine from the power source. Bleed the machine by pressing the start and stop device.
2. Before inserting a tool, lubricate the tool shank with grease.
3. Fit or remove the insertion tool.
- 4.



Close the tool retainer (position A) and check the lock function by tugging the inserted tool sharply outwards.

## Operation

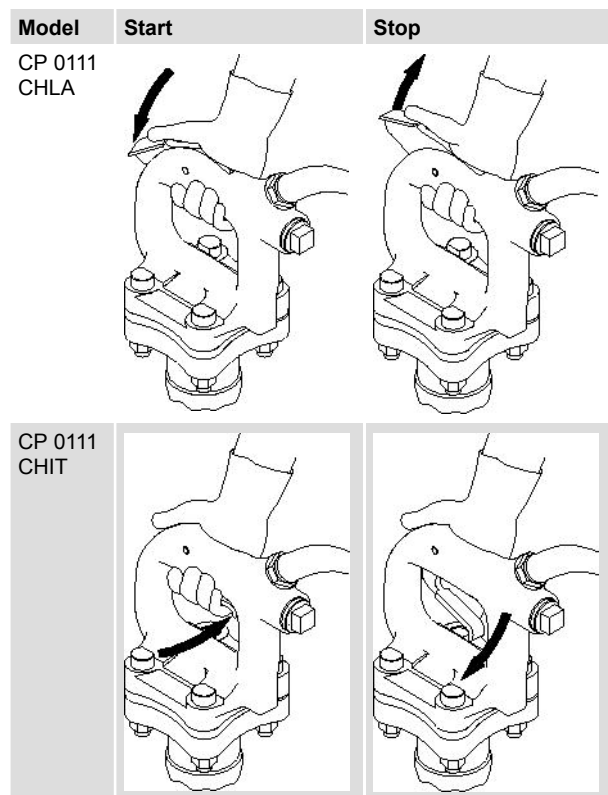
### ▲ WARNING Involuntary start

Involuntary start of the machine may cause injury.

- ▶ Keep your hands away from the start and stop device until you are ready to start the machine.
- ▶ Learn how the machine is switched off in the event of an emergency.
- ▶ Release the start and stop device immediately in all cases of power supply interruption.



## Start and stop



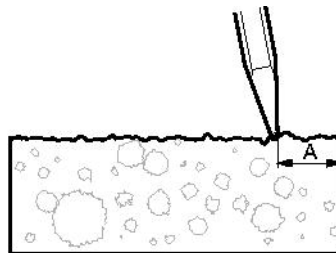
- ◆ Start the machine by squeezing the start and stop device while firmly holding the handle.
- ◆ Stop the machine by releasing the trigger. The start and stop device returns automatically to the stop position.

## Operating

### Starting a cut

- ◆ Stand in a stable position with your feet well away from the inserted tool.
- ◆ Press the machine against the working surface before you start.
- ◆ The working speed of the machine is controlled via the trigger.
- ◆ Start collaring at such a distance from the edge that the machine is capable of breaking the material without leverage.

- ◆ Never break off too large pieces. Adjust the breaking distance (A) so that the inserted tool does not get stuck.



### Breaking

- ◆ Let the machine do the work; do not press too hard.
- ◆ Avoid working in extremely hard materials for example granite and reinforcing iron (re-bar) which would cause substantial vibrations.
- ◆ Any form of idling, operating without insertion tool or operating with an uplifted machine must be avoided.
- ◆ When the machine is lifted, the start and stop device must not be activated.
- ◆ Check regularly that the machine is well lubricated.

## When taking a break

- ◆ During all breaks you must place the machine in such a way that there is no risk for it to be unintentionally started.
- ◆ In the event of a longer break or when leaving the workplace: Switch off the compressed air supply and then bleed the machine by activating the start and stop device.

## Maintenance

Regular maintenance is a basic requirement for the continued safe and efficient use of the machine. Follow the operating instructions carefully.



- ◆ Use only authorised parts. Any damage or malfunction caused by the use of unauthorised parts is not covered by warranty or product liability.
- ◆ When cleaning mechanical parts with solvent, comply with appropriate health and safety regulations and ensure there is satisfactory ventilation.
- ◆ For major service to the machine, contact your nearest authorised workshop.

## Every day

Before undertaking any maintenance or changing the insertion tool on pneumatic machines, always switch off the air supply and bleed the machine by depressing the start and stop device then disconnect the air hose from the machine.

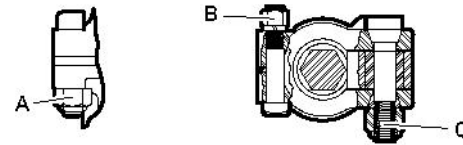
- ◆ Clean and inspect the machine every day.
- ◆ Check the tool retainer for wear and function.
- ◆ Conduct a general inspection for leaks and damage.
- ◆ Check that the air inlet nipple is tightened and that the claw coupling is free from damage.
- ◆ For the machine to maintain the specified vibration values, always check the following:  
Too big a clearance between the insertion tool's shank and the chisel bushing will generate increased vibrations. To avoid getting exposed to excessive vibrations, check the chisel bushing for wear every day.
- ◆ Change damaged parts immediately.
- ◆ Replace damaged and worn components in good time.
- ◆ Make sure that all the attached and related equipment, such as hoses, water separators and oilers are properly maintained.

## Periodic maintenance

After each operating period of approximately 150 impact hours or twice a year the machine must be dismantled and all parts be cleaned and checked. This work must be performed by authorised staff, trained for this task.

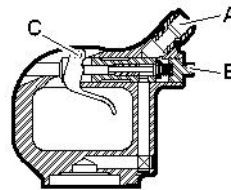
## Assembly instructions

### CP 0111 general



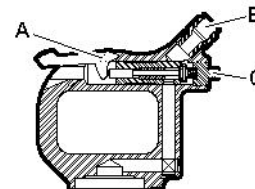
- A. Torque: 115–125 lbf.ft (156–169 Nm)
- B. Torque: 80–85 lbf.ft (109–115 Nm)
- C. Torque: 65–70 lbf.ft (88–95 Nm)

### CP 0111 CHIT



- A. Torque: 85–95 lbf.ft (115–128 Nm), use Loctite® 243™
- B. Torque: 85–95 lbf.ft (115–128 Nm)
- C. Housing peened to retain the pin.

### CP 0111 CHLA



- A. Housing peened to retain the pin.
- B. Torque: 85–95 lbf.ft (115–128 Nm), use Loctite® 243™
- C. Torque: 85–95 lbf.ft (115–128 Nm)

## Troubleshooting

If the pneumatic breaker does not start, has low power or uneven performance, check the following points.



- ◆ Check that the insertion tool being used has the correct shank dimension.
- ◆ Check that the pneumatic breaker is getting the correct amount of lubricant. Too much lubrication can cause starting problems, low power or uneven performance.
- ◆ Check that the compressed air system supplies the machine with sufficient air pressure to give full power.
- ◆ Check the dimension and length of the air hose are according to the recommendations. See “Installation”.
- ◆ If there is a risk of freezing, check that the machine's exhaust ports are not blocked.
- ◆ If the machine function is still not satisfactory after this procedure, contact an authorised service workshop.

## Storage

- > Clean the machine properly before storage.
- > Pour approximately 1/2 oz (5 cl) of oil directly into the air inlet nipple, connect the machine to the compressed air supply and start it for a few seconds.
- > Always store the machine in a dry place.

## Disposal

A used machine must be treated and disposed of in such a way that the greatest possible portion of the material can be recycled and any negative influence on the environment is kept as low as possible.





## Technical data

### Machine data

---

Model	Shank dimension in. (mm)	Part number	Weight lb (kg)	Length in. (mm)	Impact freq. (Hz)	Air Consumption foot <sup>3</sup> /min (l/s)
CP 0111 CHLA	Hexagon 1x4¼ (25x108)	8900 0001 20	29.9 (13)	22½ (572)	29–32	35–45 (17–21)
CP 0111 CHIT	Hexagon 7⁄8x3¼ (22x82.5)	8900 0001 41	29.9 (13)	22 13⁄16 (580)	29–32	35–45 (17–21)



**FRANÇAIS****Sommaire**

<b>Introduction</b> .....	19
<b>À propos des prescriptions de sécurité et des instructions pour l'opérateur</b> .....	19
<b>Consignes de sécurité</b> .....	20
Indications de sécurité.....	20
Précautions et qualifications du personnel.....	20
Installation, précautions.....	20
Fonctionnement, précautions.....	21
Stockage, précautions.....	24
Maintenance, précautions.....	24
<b>Vue d'ensemble</b> .....	25
Conception et fonctionnement.....	25
Choix du brise-béton pneumatique adapté à une tâche donnée.....	25
Principales pièces.....	25
Signes et étiquettes.....	25
<b>Installation</b> .....	26
Flexibles et connexions.....	26
Mesures de prévention du gel.....	26
Branchement d'un séparateur d'eau.....	26
Lubrifiant.....	26
Outil d'insertion.....	27
<b>Fonctionnement</b> .....	27
Marche/arrêt.....	28
Utilisation.....	28
Lors des pauses.....	28
<b>Maintenance</b> .....	28
Chaque jour.....	29
Maintenance périodique.....	29
Instructions de montage.....	29
<b>Recherche de pannes</b> .....	30
<b>Stockage</b> .....	30
<b>Destruction d'une machine usagée</b> .....	30
<b>Données techniques</b> .....	31
Caractéristiques de la machine.....	31



## Introduction

Nous vous remercions d'avoir choisi Chicago Pneumatic comme fournisseur d'outils et de services.

Chicago Pneumatic est une société internationale qui offre une vaste gamme d'outils pneumatiques et hydrauliques comprenant brise-béton, trépan, marteaux burineurs, marteaux-bêches, pioches et défricheuses, bouchardeuses, pompes et bien d'autres outils.

En 2001, la société d'outillage Chicago Pneumatic a fêté son 100ème anniversaire comme pionnier et leader sur le marché de l'industrie des outils pneumatiques. Chicago Pneumatic a toujours misé sur la fourniture de produits puissants et fiables, faciles à entretenir et ayant un bon rapport qualité-prix. C'est cette philosophie qui nous a permis de devenir leader sur le marché des outils pneumatiques aux États-Unis. Plus d'informations sur [www.cp.com](http://www.cp.com)

## À propos des prescriptions de sécurité et des instructions pour l'opérateur

Le but des instructions est de vous apprendre à utiliser le brise-béton pneumatique de manière efficace et en toute sécurité. Les instructions vous donnent également des conseils et vous indiquent comment effectuer la maintenance de routine du brise-béton pneumatique.

Vous devez lire ces instructions attentivement et les comprendre avant d'utiliser le brise-béton pneumatique pour la première fois.



## Consignes de sécurité

Afin de réduire au minimum tout risque de blessures graves ou d'accident mortel, pour vous-même ou votre entourage, nous vous invitons à lire attentivement ces consignes de sécurité avant d'utiliser la machine.

Affichez les consignes de sécurité sur les différents sites de travail ; faites en des copies pour les employés et assurez-vous que chaque personne concernée a bien lu les prescriptions de sécurité avant d'utiliser ou d'intervenir sur la machine.

Respectez toutes les consignes de sécurité.

## Indications de sécurité

Les indications de sécurité Danger, Attention et Prudence ont les sens suivants :

### DANGER

Indique une situation dangereuse qui, si elle n'est pas évitée, terminera par provoquer la mort ou des blessures graves.

### ATTENTION

Indique une situation dangereuse qui, si elle n'est pas évitée, est susceptible de provoquer la mort ou des blessures graves.

### PRUDENCE

Indique une situation dangereuse qui, si elle n'est pas évitée, est susceptible de provoquer des blessures mineures à modérées.

## Précautions et qualifications du personnel

Seules des personnes qualifiées ou formées peuvent utiliser ou procéder à l'entretien de la machine. Utilisez toujours votre jugement et votre bon sens.

### Équipement de protection du personnel

Utilisez toujours un équipement de protection individuelle homologué. Les opérateurs et toutes autres personnes séjournant sur la zone de travail doivent porter un équipement de protection individuelle, incluant au minimum :

- > Casque de protection
- > Protections auditives
- > Protecteurs des yeux résistants aux chocs avec protection latérale
- > Appareil de protection respiratoire, le cas échéant

- > Gants de protection
- > Bottes de protection adaptées
- > Salopette de travail appropriée ou vêtement similaire (serré) qui recouvre les bras et les jambes.

### Drogues, alcool ou médicaments

#### ▲ ATTENTION Drogues, alcool ou médicaments

Les drogues, l'alcool ou les médicaments risquent d'avoir un effet négatif sur votre jugement et votre capacité de concentration. De mauvaises réactions et des évaluations incorrectes peuvent entraîner des accidents graves, voire la mort.

- ▶ N'utilisez jamais la machine lorsque vous êtes fatigué(e) ou sous l'influence de drogues, de l'alcool ou de médicaments.
- ▶ L'utilisation de la machine par une personne sous l'influence de drogues, de l'alcool ou de médicaments est strictement interdite.

## Installation, précautions

#### ▲ DANGER Coup de fouet d'un flexible pneumatique

Un flexible d'air comprimé qui se détache risque de fouetter dans tous les sens et de provoquer des dommages corporels ou la mort.

- ▶ Vérifiez que le flexible d'air comprimé et les raccords ne sont pas endommagés.
- ▶ Vérifiez que les raccords d'air comprimé sont correctement fixés.
- ▶ Ne jamais essayer de débrancher un flexible d'air comprimé sous pression. D'abord, coupez l'alimentation en air comprimé au niveau du compresseur, puis purgez la machine en activant le dispositif de marche/arrêt.
- ▶ Ne jamais pointer un flexible d'air comprimé sur quelqu'un ou sur soi. Afin d'éviter tout risque d'être blessé, ne jamais utiliser l'air comprimé pour nettoyer la poussière, les salissures, etc., sur vos vêtements.



### ▲ ATTENTION Outil d'insertion éjecté

Si la sécurité de l'outil n'est pas verrouillée sur la machine, l'outil d'insertion risque d'être éjecté avec force, et de provoquer des dommages corporels.

- ▶ Ne démarrez jamais la machine au moment du changement de l'outil d'insertion.
- ▶ Avant de changer l'outil d'insertion, arrêtez la machine, coupez l'alimentation d'air comprimé et purgez la machine en activant le dispositif de marche/arrêt.
- ▶ Ne jamais pointer l'outil inséré vers soi-même ni vers autrui.
- ▶ Assurez-vous que l'outil d'insertion est entièrement inséré et que la sécurité de l'outil est en position verrouillée avant tout démarrage de la machine.
- ▶ Vérifiez la fonction de verrouillage en tirant énergiquement l'outil inséré vers l'extérieur.

### ▲ ATTENTION Déplacement / glissement d'outil d'insertion

Une dimension incorrecte de l'emmanchement de l'outil inséré peut induire la perte ou le glissement de ce dernier pendant le fonctionnement. Risque de blessure grave ou d'écrasement des mains et des doigts.

- ▶ Vérifiez que l'outil d'insertion utilisé possède la bonne taille d'emmanchement et les dimensions pour lesquelles la machine est prévue.
- ▶ Ne jamais utiliser un outil d'insertion sans collet.

## Fonctionnement, précautions

### ▲ DANGER Danger d'explosions

Si un outil d'insertion chaud entre en contact avec un explosif ou avec des gaz explosifs, cela pourrait provoquer une explosion. Lors d'utilisation de certains matériaux, des étincelles susceptibles d'enflammer des gaz peuvent provoquer des explosions. Des explosions peuvent provoquer des dommages corporels voire la mort.

- ▶ Ne jamais utiliser la machine dans un environnement explosif quelconque.
- ▶ N'utilisez jamais cette machine près de poussières, d'émanations ou de matériaux inflammables.
- ▶ Assurez-vous qu'il n'y ait aucune source de gaz non identifiée ou d'explosifs.

### ▲ ATTENTION Mouvements inopinés

L'outil inséré est soumis à des efforts importants lors de l'utilisation de la machine. L'outil inséré peut se rompre à cause de la fatigue après un certain temps d'utilisation. En cas de rupture ou de blocage de l'outil inséré, des mouvements soudains et imprévus peuvent se produire et entraîner des blessures. Les pertes d'équilibre ou les glissades peuvent également provoquer des blessures.

- ▶ Assurez-vous de toujours adopter une position stable, les pieds dans le prolongement de vos épaules et votre poids bien réparti sur les deux jambes.
- ▶ Vérifiez toujours l'équipement avant de l'utiliser. Évitez d'utiliser l'équipement s'il vous semble endommagé.
- ▶ Assurez-vous que les poignées sont toujours bien propres, sans graisse ni huile.
- ▶ Gardez vos pieds éloignés de l'outil inséré.
- ▶ Restez bien droit et tenez toujours la machine à deux mains.
- ▶ Ne mettez pas la machine en marche lorsqu'elle est posée sur le sol.
- ▶ Ne 'chevauchez' jamais la machine, une jambe passée sur la poignée.
- ▶ Ne maltraitez jamais l'équipement.
- ▶ Examinez régulièrement l'usure de l'outil d'insertion et contrôlez la présence éventuelle de signes de détérioration ou de fissures visibles.
- ▶ Soyez vigilant et concentrez-vous sur ce que vous faites.

**▲ ATTENTION Danger lié à la silice**

L'exposition à la silice cristalline (parfois appelée « poussière de silice ») résultant de la casse, du forage, du martelage ou d'une autre activité impliquant la roche, le béton, l'asphalte ou d'autres matériaux peut provoquer la silicose (une maladie grave des poumons), des maladies liées à la silicose, le cancer ou la mort. La silice est l'un des principaux composants de la roche, du sable et des minéraux. Pour réduire l'exposition à la silice :

- ▶ Appliquez des mesures d'ingénierie adaptées pour réduire la quantité de silice dans l'air et l'accumulation de poussières sur les équipements et les surfaces. Exemples de mesures applicables : systèmes de ventilation aspirante et de captage des poussières, pulvérisation d'eau et forage humide. Assurez-vous que ces systèmes sont correctement installés et entretenus.
- ▶ Portez, conservez et utilisez correctement les respirateurs contre les matières en suspension quand les mesures d'ingénierie, seules, ne sont pas adéquates pour réduire l'exposition à des niveaux tolérables.
- ▶ Participez à la surveillance de l'air, aux examens médicaux et aux programmes de formation offerts par votre employeur ou imposés par la loi.
- ▶ Sur le lieu de travail, portez des vêtements de protection lavables ou jetables. Avant de quitter le lieu de travail, douchez-vous et changez de vêtements pour réduire votre exposition à la silice et celle des autres, des voitures, des maisons et des autres zones.
- ▶ Évitez de manger, boire et fumer dans les zones exposées aux poussières contenant de la silice cristalline.
- ▶ Lavez-vous les mains et le visage avant de manger, boire ou fumer hors de la zone exposée.
- ▶ Aidez votre employeur à réduire l'exposition à la silice sur votre lieu de travail.

**▲ ATTENTION Dangers lié à la poussière**

Certaines poussières, émanations ou autres matières en suspension dans l'air pendant l'utilisation de la machine peuvent contenir des produits chimiques, reconnus par l'état de Californie comme pouvant provoquer des cancers, des anomalies congénitales ou d'autres menaces pour la reproduction. Voici quelques-uns de ces produits chimiques :

- > Silice cristalline, ciment et autres produits de maçonnerie.
- > Arsenic et chrome provenant de caoutchouc traité chimiquement.
- > Plomb provenant de peintures à base de plomb.
- ▶ Pour réduire votre exposition à ces produits, travaillez dans une zone bien ventilée et avec des équipements de sécurité homologués, tels que les masques de protection contre la poussière spécialement conçus pour filtrer les particules microscopiques.

**▲ ATTENTION Projectiles**

En cours de fonctionnement, des éclats ou d'autres particules du matériau travaillé peuvent se transformer en projectiles et provoquer des blessures en frappant l'opérateur ou d'autres personnes.

- ▶ Utilisez des équipements de protection personnelle approuvés, y compris une protection oculaire résistante avec protection latérale.
- ▶ Assurez-vous qu'aucune personne non autorisée ne pénètre dans la zone de travail.
- ▶ Maintenir le lieu de travail propre et exempt de corps étrangers.





### ▲ ATTENTION Dangers liés aux vibrations

L'utilisation normale et adéquate de la machine expose l'opérateur à des vibrations. L'exposition régulière et fréquente aux vibrations peut causer, contribuer à, ou aggraver les blessures ou les troubles au niveau des doigts, des mains, des poignets, des bras, des épaules et/ou d'autres parties du corps de l'opérateur, y compris les blessures ou les troubles débilissants et/ou permanents qui peuvent se développer graduellement sur des semaines, des mois, ou des années. De telles blessures ou troubles peuvent inclure des dommages au niveau du système de circulation sanguine, du système nerveux, des articulations et éventuellement au niveau d'autres parties du corps.

En cas d'apparition, à un moment quelconque, d'engourdissement, de fourmillement, de douleur, de maladresse, d'affaiblissement du poignet, de blanchiment de la peau ou d'autres symptômes lors de l'utilisation de la machine ou en dehors de celle-ci, cessez toute utilisation de la machine et consultez un médecin. Le fait de continuer à utiliser la machine après l'apparition de tels symptômes risque de les aggraver et/ou de les rendre permanents.

Les mesures suivantes peuvent contribuer à réduire l'exposition de l'opérateur aux vibrations :

- ▶ Laissez l'outil faire le travail. Utilisez une prise manuelle réduite permettant un contrôle approprié et une utilisation en toute sécurité.
- ▶ Lorsque le mécanisme de percussion est activé, le seul contact entre votre corps et la machine doit être celui de vos mains sur les poignées. Évitez tout autre contact, notamment d'appuyer une partie quelconque du corps contre la machine ou de vous pencher sur cette dernière pour essayer d'en augmenter la capacité d'avance. Il est également important de ne pas maintenir le dispositif de marche/arrêt actionné lorsque vous retirez l'outil de la surface de travail cassée.
- ▶ Assurez-vous que l'outil inséré est correctement entretenu (et aiguisé s'il s'agit d'un outil coupant), en bon état et de la taille appropriée. Les outils insérés mal entretenus, usés ou de dimension inadaptée allongent la durée d'exécution d'une tâche (et celle de l'exposition aux vibrations) et peuvent induire ou contribuer à des niveaux plus élevés d'exposition aux vibrations.
- ▶ Arrêtez immédiatement de travailler si la machine commence soudainement à vibrer fortement. Avant de recommencer à travailler, identifiez la cause de l'augmentation des vibrations et remédiez-y.

- ▶ Évitez d'attraper, de tenir et de toucher l'outil inséré lorsque la machine est en marche.
- ▶ Participez à la surveillance médicale, aux examens médicaux et aux programmes de formation offerts par votre employeur ou imposés par la loi.

Reportez-vous à « l'énoncé déclaratif relatif aux vibrations et au bruit » de la machine, y compris les valeurs des vibrations déclarées et les « Informations supplémentaires en matière de vibrations ». Ces informations figurent à la fin des « Prescriptions de sécurité et instructions pour l'opérateur ».

- ◆ Respectez la pression d'air recommandée lorsque vous utilisez la machine. Une pression d'air plus élevée ou plus faible peut entraîner des niveaux de vibrations plus élevés.

### ▲ DANGER Dangers électriques

La machine n'est pas isolée électriquement. Tout contact de la machine avec de l'électricité risque de provoquer des blessures graves ou la mort.

- ▶ N'utilisez jamais la machine près d'un câble électrique ou d'une autre source d'électricité.
- ▶ Assurez-vous de l'absence de câbles cachés ou d'autres sources d'électricité dans la zone de travail.

### ▲ ATTENTION Dangers liés aux objets cachés

En cours de fonctionnement, les tuyaux et câbles cachés constituent une source potentielle de blessures graves.

- ▶ Vérifiez la composition du matériau avant toute utilisation.
- ▶ Faites attention aux câbles et aux tuyaux cachés, comme les tuyaux d'électricité, de téléphone, d'eau, de gaz et les canalisations d'égouts, etc.
- ▶ Si vous pensez avoir touché un objet caché avec l'outil, arrêtez immédiatement la machine.
- ▶ Vérifiez que tout danger est écarté avant de continuer.



### **▲ ATTENTION Démarrage accidentel**

Le démarrage accidentel de la machine peut provoquer des blessures.

- ▶ Gardez les mains bien éloignées du dispositif de marche/arrêt jusqu'au moment de commencer à démarrer la machine.
- ▶ Apprenez à arrêter la machine en cas d'urgence.
- ▶ Relâchez immédiatement le dispositif de marche/arrêt en cas de coupure de courant quelconque.
- ▶ A chaque installation/désinstallation de l'outil d'insertion, coupez l'alimentation d'air et débranchez la machine de la source d'alimentation. Purgez la machine en appuyant sur le dispositif de marche/arrêt.

### **▲ ATTENTION Danger lié au bruit**

Les niveaux acoustiques très élevés peuvent provoquer une perte auditive permanente.

- ▶ Utilisez un dispositif de protection anti-bruit respectant les normes de sécurité et de santé dans le travail.

## **Stockage, précautions**

---

- ◆ Conservez la machine et les outils bien verrouillés, dans un endroit sûr, hors de la portée des enfants.

## **Maintenance, précautions**

---

### **▲ ATTENTION Modifications sur la machine**

Toute modification sur la machine peut provoquer des blessures physiques à vous-même ou aux autres.

- ▶ Ne jamais modifier la machine.
- ▶ Utilisez toujours des pièces et des accessoires d'origine approuvés par Chicago Pneumatic.

### **▲ PRUDENCE Outil d'insertion brûlant**

L'extrémité de l'outil d'insertion devient chaude à l'usage. Vous risquez de vous brûler si vous la touchez.

- ▶ Ne touchez jamais un outil d'insertion brûlant.
- ▶ Attendez que l'outil d'insertion ait refroidi avant d'effectuer des tâches de maintenance.

## Vue d'ensemble

Il convient de lire attentivement la section des consignes de sécurité figurant sur les pages précédentes du présent document avant toute utilisation de la machine, afin de minimiser le risque de blessures graves ou de dommages pouvant entraîner la mort.

## Conception et fonctionnement

Le brise-béton pneumatique portable CP 0111 est conçu pour les travaux légers et moyens de construction et les travaux sur chantier.

Les modèles CP 0111 CHLA et CP 0111 CHIT sont équipés d'une poignée en D et peuvent être utilisés horizontalement et verticalement.

Toute autre utilisation est interdite.

Pour choisir l'outil d'insertion correct, référez-vous à la liste des pièces détachées.

## Choix du brise-béton pneumatique adapté à une tâche donnée

Il est important de choisir un brise-béton pneumatique dont la taille est adaptée au travail à effectuer.

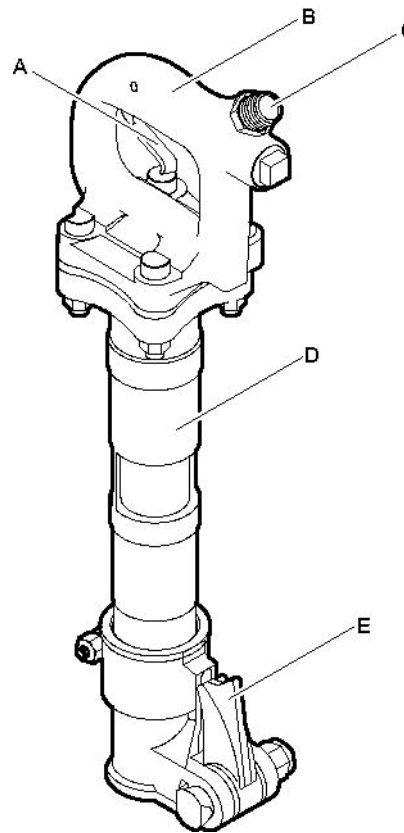
Un brise-béton pneumatique trop petit implique que le travail durera plus longtemps.

Un brise-béton trop grand implique un repositionnement fréquent, ce qui fatigue inutilement l'opérateur.

Une règle simple permettant de choisir correctement la taille d'un brise-béton établit qu'un morceau de matériel cassé de taille normale doit pouvoir être retiré du site de travail à l'issue de 10 à 20 secondes de fonctionnement.

- > Si cela prend moins de 10 secondes, il faut alors choisir un brise-béton pneumatique plus petit.
- > Si cela prend plus de 20 secondes, il faut alors choisir un brise-béton pneumatique plus grand.

## Principales pièces



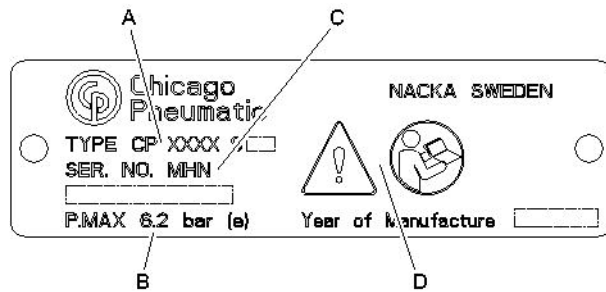
- A. Manette
- B. Poignée
- C. Entrée d'air
- D. Cylindre
- E. Décaleur (dispositif de retenue de l'outil)

## Signes et étiquettes

La machine comporte des signes et des étiquettes avec des informations importantes pour la sécurité des personnes et l'entretien de la machine. Ces signes et étiquettes doivent toujours être aisément lisibles. De nouveaux signes et étiquettes peuvent être commandés en utilisant la liste des pièces détachées.



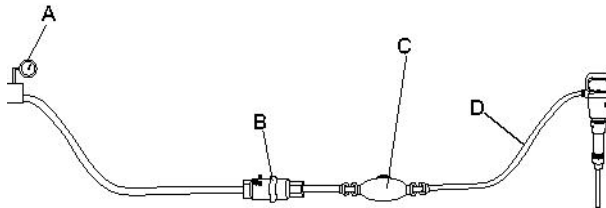
## Plaque signalétique



- A. Type de machine
- B. Pression d'air comprimé maximale autorisée
- C. Numéro de série
- D. Le symbole « Attention » accompagné du symbole du livre signifie que l'utilisateur doit lire les « Prescriptions de sécurité et instructions pour l'opérateur » avant la première utilisation de la machine.

## Installation

### Flexibles et connexions



- A. Source d'air comprimé
  - B. Séparateur d'eau (en option)
  - C. Lubrificateur (en option)
  - D. 10 feet (3 m) maximum de flexible d'air comprimé entre le lubrificateur et la machine.
- ♦ Vérifiez que vous utilisez la bonne pression de fonctionnement recommandée, 87 psig (6 bars (e)).
  - ♦ Ne dépassez pas la pression d'air maximale autorisée pour la machine - 90 psig (6,2 bar (e)).
  - ♦ Éliminez toute impureté du flexible d'air comprimé avant de le brancher à la machine.

- ♦ Sélectionnez un flexible d'air comprimé possédant une dimension et une longueur correctes. Pour les longueurs de flexible allant jusqu'à 100 feet (30 mètres), il faut utiliser un flexible de diamètre intérieur minimal de 3/4 in. (19 mm). Si la longueur de flexible est comprise entre 100 et 300 feet (30 - 90 m), il faut utiliser un flexible de diamètre intérieur minimal de 1 in. (25 mm).

## Mesures de prévention du gel

Le givage peut se produire dans le silencieux lorsque la température ambiante est de 32-50°F (0-10°C) et que l'humidité relative est élevée.

La machine est conçue pour éviter le givage dans le silencieux. Cependant, dans des conditions extrêmes, du givre peut se former dans le silencieux.

Les actions suivantes peuvent être mises en oeuvre pour éviter le risque de formation de givre :

- ♦ Utilisez une huile pour outils pneumatiques contenant une solution antigel.
- ♦ Utilisez un séparateur d'eau.

## Branchement d'un séparateur d'eau

Utilisez un flexible suffisamment long entre le compresseur et le séparateur d'eau pour assurer le refroidissement et la condensation de la vapeur d'eau dans le flexible avant d'atteindre le séparateur d'eau.

Si la température ambiante est inférieure à 32°F (0°C), le flexible ne doit pas être très long afin que l'eau n'y gèle pas avant d'atteindre le séparateur d'eau.

## Lubrifiant

### Lubrifiant

Le lubrifiant joue un rôle important dans le fonctionnement de la machine et a une grande incidence sur sa durée de vie. Afin de fournir le volume d'huile adéquat, un graisseur devrait être branché au flexible d'air. Il est recommandé d'utiliser le graisseur de ligne de Chicago Pneumatic. Pour garantir une bonne lubrification, la longueur du flexible d'air entre le graisseur et le brise-béton pneumatique ne doit pas dépasser 10 feet (3 m).



Une lubrification excessive peut causer des problèmes de démarrage, une faible puissance ou une performance irrégulière.

Lubrifiant recommandé : Huile pour outil pneumatique avec une viscosité de 100-150 SUS à 100°F (ISO VG 22-32).

Il est recommandé d'utiliser une huile contenant un produit antirouille.

## Outil d'insertion

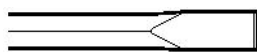
### Sélection du bon outil d'insertion

La sélection du bon outil d'insertion est un prérequis au fonctionnement approprié de la machine. Pour éviter les dommages inutiles à la machine, il est important de choisir des outils d'insertion de grande qualité.

**ATTENTION!** L'utilisation d'outils d'insertion inadaptés peut provoquer la destruction de la machine.

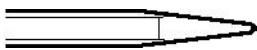
Les outils d'insertion recommandés figurent dans la liste des pièces détachées de la machine.

### Burin étroit



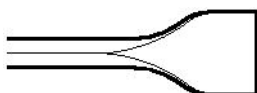
Le burin étroit doit être utilisé pour le travail de démolition et la découpe de béton et d'autres types de matériaux durs.

### Burin à pointe aiguisée



Le burin à pointe aiguisée doit être utilisé uniquement pour faire des trous dans du béton et d'autres types de matériaux durs.

### Burin à lame large

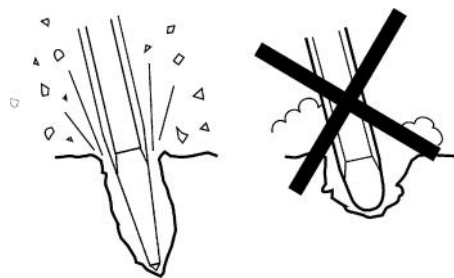


Le burin large doit être utilisé avec les matériaux tendres, tels que l'asphalte et les sols gelés.

### ▲ ATTENTION Danger lié aux vibrations

L'utilisation d'outils insérés non conformes aux critères mentionnés ci-dessous entraînera des délais d'accomplissement des tâches plus longs, et parfois aussi des niveaux de vibrations plus élevés. Un outil usé engendre également un temps de travail accru.

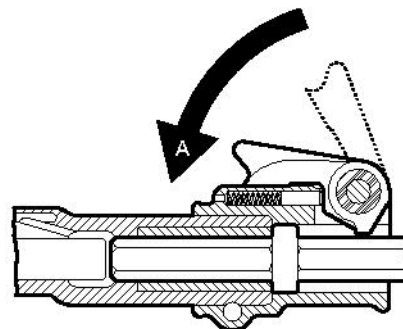
- ▶ Assurez-vous que l'outil inséré est correctement entretenu, pas usé et de la taille appropriée.
- ▶ Utilisez toujours un outil tranchant pour pouvoir travailler de manière efficace.



### Fixation et retrait de l'outil d'insertion

Les instructions suivantes doivent être observées lors de chaque fixation/retrait de l'outil d'insertion :

1. Pour éviter tout démarrage intempestif : fermez l'arrivée d'air et déconnectez l'alimentation de la machine. Purgez la machine en appuyant sur la manette démarrage/arrêt.
2. Avant d'insérer un outil, lubrifiez l'emmanchement avec de la graisse.
3. Ajustez/retirez l'outil d'insertion.
- 4.



Fermez la sécurité de l'outil (position A) et vérifiez la fonction de verrouillage en tirant brusquement l'outil inséré vers l'extérieur.

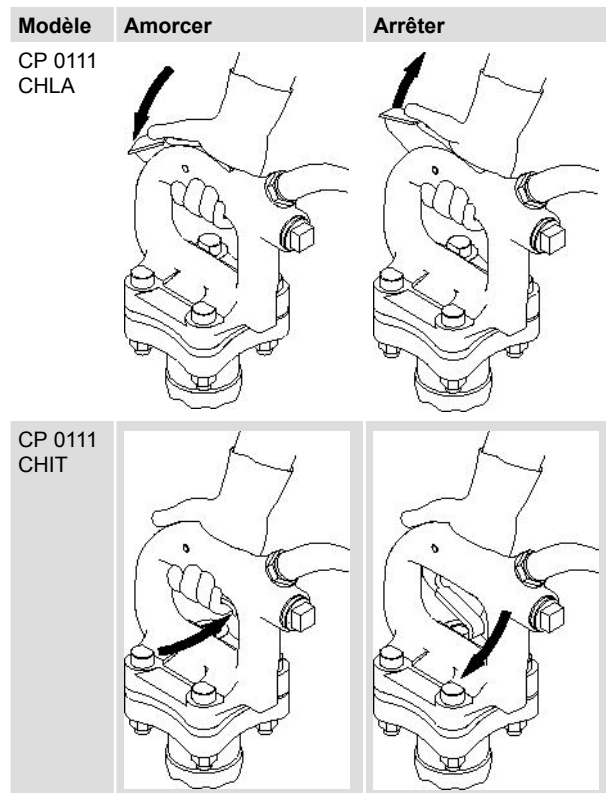
## Fonctionnement

### ▲ ATTENTION Démarrage accidentel

Le démarrage accidentel de la machine peut provoquer des blessures.

- ▶ Gardez les mains bien éloignées du dispositif de marche/arrêt jusqu'au moment de commencer à démarrer la machine.
- ▶ Apprenez à arrêter la machine en cas d'urgence.
- ▶ Relâchez immédiatement le dispositif de marche/arrêt en cas de coupure d'alimentation quelconque.

## Marche/arrêt



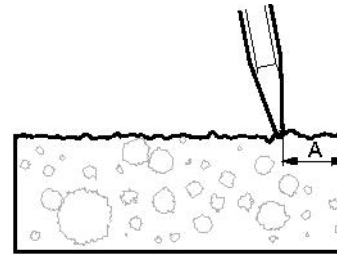
- ◆ Démarrez la machine en appuyant sur le dispositif de marche/arrêt, tout en tenant fermement la poignée.
- ◆ Arrêtez la machine en relâchant la manette. Le dispositif de marche/arrêt retourne automatiquement en position d'arrêt.

## Utilisation

### Démarrage d'une coupe

- ◆ Adoptez une position stable et gardez vos pieds éloignés de l'outil d'insertion.
- ◆ Appuyez la machine contre la surface à travailler avant de commencer.
- ◆ La puissance de frappe de la machine se règle avec la manette.
- ◆ Attaquez le matériau à une distance telle du bord que la machine est à même de le fissurer sans le fracturer.

- ◆ N'essayez jamais de fracturer des éléments trop gros. Adaptez la distance de casse (A) de manière à ce que l'outil inséré ne reste pas bloqué.



### Casse

- ◆ Laissez la machine faire le travail, n'appuyez pas trop fort.
- ◆ Évitez de travailler sur des matériaux extrêmement durs tels que le granit et la ferraille (barre d'armature) car cela provoquerait des vibrations substantielles.
- ◆ Toute forme d'utilisation au ralenti, sans outil d'insertion ou lorsque la machine est en position haute, doit être évitée.
- ◆ Évitez d'activer le dispositif de marche/arrêt lorsque la machine est en position haute.
- ◆ Vérifiez régulièrement que la machine est correctement lubrifiée.

## Lors des pauses

- ◆ Pendant toutes vos pauses, vous devez éloigner la machine de manière à éliminer tout risque de démarrage accidentel.
- ◆ En cas de pause prolongée ou lorsque vous quittez votre lieu de travail : Coupez l'alimentation en air comprimé, puis purgez la machine en activant le dispositif de marche/arrêt.

## Maintenance

Une maintenance régulière est une condition fondamentale pour que la machine reste un outil sûr et efficace. Respectez soigneusement les instructions d'utilisation.



- ◆ N'utilisez que des pièces de rechange autorisées. Aucun dommage ou mauvais fonctionnement dû à l'utilisation de pièces non autorisées n'est couvert par la garantie ou la responsabilité produits.
- ◆ Lors du nettoyage des pièces mécaniques avec un solvant, assurez-vous que vous respectez bien les normes de sécurité et de santé et que la ventilation est suffisante.
- ◆ Pour un entretien plus complet de la machine, contactez l'atelier homologué le plus proche.

## Chaque jour

Avant d'entreprendre une tâche de maintenance ou de changer un outil d'insertion d'une machine pneumatique, coupez toujours l'arrivée d'air et purgez la machine en appuyant sur le dispositif de marche/arrêt. Débranchez ensuite le flexible pneumatique de la machine.

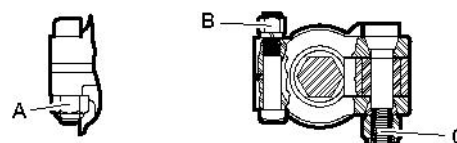
- ◆ Nettoyez et inspectez la machine chaque jour.
- ◆ Examinez l'usure du dispositif de retenue de l'outil et vérifiez son fonctionnement.
- ◆ Effectuez une inspection générale des fuites et dommages.
- ◆ Vérifiez que l'embout de prise d'air est bien serré et que l'accouplement du pied-de-biche n'est pas endommagé.
- ◆ Pour que la machine respecte les valeurs des vibrations spécifiées, il faut toujours examiner les points suivants :  
Un jeu trop grand entre l'emmanchement de l'outil d'insertion et la bague de guidage produira des vibrations plus importantes. Pour éviter d'être exposé à des vibrations excessives, examinez chaque jour l'usure de la bague de guidage.
- ◆ Remplacez immédiatement les pièces endommagées.
- ◆ Ne tardez pas à remplacer les composants abîmés et fatigués.
- ◆ Assurez-vous que tous les équipements auxiliaires ou connexes, comme les flexibles, les séparateurs d'eau et les graisseurs, sont correctement entretenus.

## Maintenance périodique

Après chaque période d'utilisation d'environ 150 heures d'impact ou 2 fois par an, la machine doit être démontée et toutes les pièces doivent être nettoyées et examinées. Ce travail doit être effectué par un personnel autorisé et formé à cette tâche.

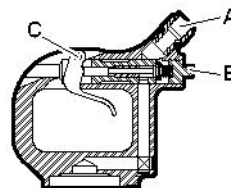
## Instructions de montage

### CP 0111 général



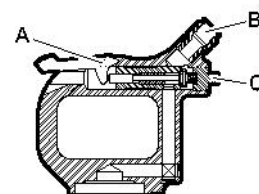
- A. Couple : 115-125 lbf.ft (156-169 Nm)
- B. Couple : 80-85 lbf.ft (109-115 Nm)
- C. Couple : 65-70 lbf.ft (88-95 Nm)

### CP 0111 CHIT



- A. Couple : 85-95 lbf.ft (115-128 Nm), utiliser de la Loctite® 243™
- B. Couple : 85-95 lbf.ft (115-128 Nm)
- C. Boîtier aplati pour maintenir la goupille.

### CP 0111 CHLA



- A. Boîtier aplati pour maintenir la goupille.
- B. Couple : 85-95 lbf.ft (115-128 Nm), utiliser de la Loctite® 243™
- C. Couple : 85-95 lbf.ft (115-128 Nm)



## Recherche de pannes

Si le brise-béton pneumatique ne démarre pas ou s'il a une puissance faible ou une performance irrégulière, vérifiez les points suivants.

- ◆ Vérifiez que l'outil d'insertion utilisé possède la bonne taille d'emmanchement.
- ◆ Vérifiez que le brise-béton pneumatique reçoit la quantité correcte de lubrifiant. Une lubrification excessive peut causer des problèmes de démarrage, une puissance faible ou une performance irrégulière.
- ◆ Vérifiez que le système d'air comprimé fournit à la machine une pression d'air suffisante pour garantir une puissance maximale.
- ◆ Vérifiez que les dimensions et la longueur du flexible d'air sont conformes aux recommandations. Voir « Installation ».
- ◆ En cas de risque de gel, vérifiez que les ports d'échappement de la machine ne sont pas bloqués.
- ◆ Si le fonctionnement de la machine n'est toujours pas satisfaisant après cette procédure, contactez un atelier homologué.

## Stockage

- > Nettoyez minutieusement la machine avant son stockage.
- > Versez environ 5 cl d'huile directement dans l'embout de prise d'air, reliez la machine à l'alimentation d'air comprimé et laissez-la fonctionner pendant quelques secondes.
- > Stockez toujours la machine dans un endroit sec.

## Destruction d'une machine usagée

Une machine usagée doit être traitée et détruite de telle manière que la plus grande partie des matériaux puisse être recyclée et que tout impact négatif sur l'environnement soit aussi faible que possible.



# Données techniques

## Caractéristiques de la machine

Modèle	Dimension de la tige d'outil in. (mm)	Référence	Poids lb (kg)	Longueur in. (mm)	Fréquence de frappe (Hz)	Consommation d'air foot <sup>3</sup> /min (l/s)
CP 0111 CHLA	Hexagon 1x4¼ (25x108)	8900 0001 20	29.9 (13)	22½ (572)	29-32	35-45 (17-21)
CP 0111 CHIT	Hexagon 7⁄8x3¼ (22x82,5)	8900 0001 41	29.9 (13)	22 13⁄16 (580)	29-32	35-45 (17-21)

**DEUTSCH****Inhalt**

<b>Einleitung</b> .....	33
<b>Informationen zu den Sicherheitshinweisen und zur Betriebsanleitung</b> .....	33
<b>Sicherheitshinweise</b> .....	34
Sicherheits-Signalworte.....	34
Personliche Vorsichtsmaßnahmen und Qualifikationen.....	34
Installation, Vorsichtsmaßnahmen.....	34
Betrieb, Vorsichtsmaßnahmen.....	35
Lagerung, Vorsichtsmaßnahmen.....	38
Wartung, Vorsichtsmaßnahmen.....	38
<b>Übersicht</b> .....	39
Konstruktion und Funktion.....	39
Auswahl des für die Arbeitsaufgabe passenden Drucklufthammers.....	39
Hauptkomponenten.....	39
Schilder und Aufkleber.....	39
<b>Installation</b> .....	40
Schläuche und Anschlüsse.....	40
Methoden zur Vermeidung von Einfrieren.....	40
Anschließen eines Wasserabscheiders.....	40
Schmierung.....	40
Werkzeug.....	41
<b>Betrieb</b> .....	42
Start und Stopp.....	42
Betrieb.....	42
Einlegen von Pausen.....	43
<b>Wartung</b> .....	43
Täglich.....	43
Regelmäßige Wartung.....	43
Montageanweisungen.....	43
<b>Fehlersuche</b> .....	44
<b>Lagerung</b> .....	44
<b>Entsorgung</b> .....	44
<b>Technische Daten</b> .....	45
Maschinendaten.....	45



## Einleitung

Danke, dass Sie sich für Chicago Pneumatic als Ihren Werkzeuglieferanten und Servicedienstleister entschieden haben.

Chicago Pneumatic ist ein globales Unternehmen mit einer breiten Palette pneumatischer und hydraulischer Werkzeuge. Dazu gehören Abbauhämmer, Bohrhämmer, Meißelhämmer, Tonhämmer, Spitzhacken und Rammkeile, Spitzhämmer, Pumpen und vieles mehr.

Die Chicago Pneumatic Tool Company feierte im Jahr 2001 ihr 100-jähriges Jubiläum als Pionier und Marktführer der Druckluftwerkzeug-Industrie. Chicago Pneumatic hat sich immer darauf konzentriert, leistungsfähige, leicht zu bedienende und zuverlässige Produkte mit einem hervorragenden Preis-Leistungs-Verhältnis herzustellen. Mit dieser Philosophie sind wir in den USA Marktführer bei Druckluftwerkzeugen geworden.

Weitere Informationen finden Sie unter [www.cp.com](http://www.cp.com).

## Informationen zu den Sicherheitshinweisen und zur Betriebsanleitung

Ziel dieser Anleitung ist es, Sie mit der sicheren und effizienten Bedienung des Drucklufthammers vertraut zu machen. Die Anleitung enthält auch Hinweise zur Durchführung regelmäßiger Wartungsarbeiten am Drucklufthammer.

Lesen Sie bitte diese Anleitung vor der ersten Benutzung des Drucklufthammers genau durch.

## Sicherheitshinweise

Vor dem Betrieb der Maschine sind die folgenden Anweisungen durchzulesen, um Unfallrisiken, die mit Lebensgefahr verbunden sein können, zu verhüten.

Schlagen Sie diese Sicherheitshinweise am Arbeitsplatz an. Verteilen Sie Kopien an die Mitarbeiter. Stellen Sie sicher, dass jeder Mitarbeiter die Sicherheitshinweise vor dem Betrieb der Maschine oder vor Servicearbeiten liest.

Alle Sicherheitsbestimmungen sind einzuhalten.

## Sicherheits-Signalworte

Die Sicherheits-Signalworte Gefahr, Warnung und Achtung haben folgende Bedeutung:

<b>GEFAHR</b>	Hinweis auf eine Gefahrensituation, die bei Nichtbeachtung zu schweren oder lebensgefährlichen Unfällen führt.
<b>WARNUNG</b>	Hinweis auf eine Gefahrensituation, die bei Nichtbeachtung zu schweren oder lebensgefährlichen Unfällen führen kann.
<b>ACHTUNG</b>	Hinweis auf eine Gefahrensituation, die bei Nichtbeachtung zu geringen oder leichten Verletzungen führen kann.

## Personliche Vorsichtsmaßnahmen und Qualifikationen

Die Maschine darf nur von qualifiziertem und geschultem Personal bedient oder gewartet werden. Wenden Sie immer Ihren gesunden Menschenverstand an.

### Schutzausrüstung

Verwenden Sie stets geeignete Schutzausrüstung! Von Mitarbeitern und anderen Personen im Arbeitsbereich ist mindestens folgende Schutzausrüstung zu tragen:

- > Schutzhelm
- > Gehörschutz
- > Schutzbrille (mit seitlicher Abschirmung der Augen)
- > Atemmaske (bei Bedarf)

- > Schutzhandschuhe
- > Geeignete Sicherheitsschuhe
- > Geeigneter Arbeitsanzug oder ähnliche (eng anliegende) Kleidung, die Arme und Beine bedeckt.

### Drogen, Alkohol oder Medikamente

#### ▲ **WARNUNG** Drogen, Alkohol oder Medikamente

Drogen, Alkohol oder Medikamente können Ihre Urteilkraft und Konzentrationsfähigkeit einschränken. Schlechte Reaktionsfähigkeit und Fehleinschätzungen können zu schweren Verletzungen führen.

- ▶ Bedienen Sie die Maschine niemals, wenn Sie müde sind oder unter dem Einfluss von Drogen, Alkohol oder Medikamenten stehen.
- ▶ Personen, die unter dem Einfluss von Drogen, Alkohol oder Medikamenten stehen, dürfen die Maschine nicht bedienen.

## Installation, Vorsichtsmaßnahmen

### ▲ **GEFAHR** Ausschlagender Druckluftschlauch

Ein Druckluftschlauch, der sich gelöst hat, kann ausschlagen und lebensgefährliche Verletzungen verursachen.

- ▶ Stellen Sie sicher, dass Druckluftschlauch und Anschlüsse unbeschädigt sind.
- ▶ Stellen Sie sicher, dass sämtliche Druckluftanschlüsse korrekt befestigt sind.
- ▶ Ein unter Druck stehender Druckluftschlauch darf unter keinen Umständen abgebaut oder demontiert werden. Schalten Sie zuerst die Druckluft am Kompressor aus und lassen Sie die Maschine durch Betätigen des Start- und Stoppschalters auslaufen.
- ▶ Richte einen Druckluftschlauch nie auf eine andere Person oder den eigenen Körper! Die Druckluft darf nicht zum Sauberblasen der Kleidung verwendet werden.



### ▲ **WARNUNG**    **Auswurf des Werkzeugs**

Wenn die Werkzeugaufnahme nicht arretiert ist, kann das Werkzeug mit Gewalt ausgeworfen werden. Dies kann zu ernsthaften Verletzungen führen.

- ▶ Starten Sie die Maschine niemals während des Werkzeugswechsels.
- ▶ Schalten Sie vor dem Wechseln des Werkzeugs immer die Druckluftversorgung aus und lassen Sie die Maschine durch Betätigen des Start- und Stoppschalters auslaufen.
- ▶ Richten Sie das Werkzeug nie auf eine andere Person oder den eigenen Körper!
- ▶ Stellen Sie sicher, dass das Werkzeug vollständig eingesetzt ist und die Werkzeugaufnahme arretiert ist, bevor Sie die Maschine einschalten.
- ▶ Prüfen Sie die Arretierung, indem Sie kräftig und ruckartig am Werkzeug ziehen.

### ▲ **WARNUNG**    **Bewegen / Herausrutschen des Werkzeugs**

Eine falsche Werkzeugschaftgröße kann dazu führen, dass das eingesetzte Werkzeug während des Betriebs herausrutscht. Hierbei besteht die Gefahr von schweren Verletzungen, z. B. Brüche von Händen und Fingern.

- ▶ Stellen Sie sicher, dass das Werkzeug die für die Maschine passende Größe und Schaftlänge besitzt.
- ▶ Verwenden Sie niemals Werkzeuge ohne Bund.

## **Betrieb, Vorsichtsmaßnahmen**

---

### ▲ **GEFAHR**    **Explosionsgefahr**

Wenn ein Werkzeug mit Explosivstoffen oder explosiven Gasen in Kontakt kommt, kann es zu einer Explosion kommen. Bei der Arbeit mit bestimmten Materialien können Funken auftreten und Explosionen verursachen. Explosionen können zu ernsthaften Verletzungen oder zum Tod führen.

- ▶ Die Maschine nie in einer explosiven Umgebung betreiben.
- ▶ Verwenden Sie die Maschine niemals in der Nähe von entzündlichen Materialien, Dämpfen oder Staub.
- ▶ Stellen Sie sicher, dass keine verborgenen Gasquellen oder Explosivstoffe vorhanden sind.

### ▲ **WARNUNG**    **Unerwartete Bewegungen**

Das Werkzeug wird während des Betriebs der Maschine stark beansprucht. Das Werkzeug kann nach Ablauf der Lebensdauer aufgrund von Werkstoffermüdung brechen. Wenn das Werkzeug bricht oder verklemmt, kann die Maschine plötzliche und unerwartete Bewegungen ausführen, die Verletzungen verursachen können. Außerdem kann es zu Verletzungen kommen, wenn Sie das Gleichgewicht verlieren oder ausrutschen.

- ▶ Stellen Sie sicher, dass Sie immer eine stabile Standposition einnehmen. Verteilen Sie dazu Ihr Körpergewicht auf beide Füße, die schulterbreit auseinander stehen.
- ▶ Prüfen Sie die Ausrüstung vor jeder Anwendung. Bei Schadensverdacht darf die Ausrüstung auf keinen Fall verwendet werden.
- ▶ Stellen Sie sicher, dass die Griffe sauber und frei von Fett oder Öl sind.
- ▶ Halten Sie Ihre Füße vom Werkzeug fern.
- ▶ Stehen Sie sicher und halten Sie die Maschine mit beiden Händen fest.
- ▶ Starten Sie niemals die Maschine, wenn sie auf dem Boden liegt.
- ▶ 'Reiten' Sie niemals mit einem Bein über dem Griff auf der Maschine.
- ▶ Gehen Sie mit der Ausrüstung sorgsam um.
- ▶ Prüfen Sie das Werkzeug regelmäßig auf Abnutzung, Beschädigungen oder sichtbare Risse.
- ▶ Achten Sie während des Betriebs auf ungewöhnliche Vorgänge.

**▲ WARNUNG Quarzstaub**

Beim Aufbrechen, Bohren, Hämmern oder anderen Arbeiten, die mit Gestein, Beton, Asphalt oder ähnlichen Materialien zu tun haben, kann kristalliner Quarz (auch „Steinstaub“ genannt) entstehen, der zu Silikose (ernsthafte Lungenerkrankung) oder silikose-ähnlichen Krankheiten, zu Krebs oder zum Tod führen kann. Quarz ist ein Hauptbestandteil von Gesteinen, Sand und Mineralerzen. Zur Verringerung der Gefährdung durch Steinstaub ist Folgendes zu beachten:

- ▶ Verwenden Sie geeignete technische Hilfsmittel zur Verringerung der Steinstaubkonzentration in der Luft und auf der Oberfläche der Ausrüstung. Zu solchen Hilfsmitteln gehören z. B.: Absaugungen und Staubsammelsysteme, Sprühwasseranlagen und Nassbohren. Stellen Sie sicher, dass diese Hilfsmittel korrekt installiert und gewartet sind.
- ▶ Tragen Sie stets geeignete und korrekt angewendete Atemschutzmasken, falls die genannten technischen Hilfsmittel allein nicht ausreichen, um die Staubbelastung unter den zulässigen Wert zu senken.
- ▶ Nehmen Sie an Schulungen zur Luftreinhaltung und medizinischen Untersuchungen teil, wenn diese von Ihrem Arbeitgeber angeboten werden oder gesetzlich vorgeschrieben sind.
- ▶ Tragen Sie am Arbeitsplatz abwaschbare oder Einwegschutzkleidung; Duschen Sie oder wechseln Sie die Kleidung vor dem Verlassen des Arbeitsplatzes, um Ihre eigene Quarzstaubbelastung und die anderer Personen bzw. von Autos, Heimstätten und anderer Bereiche so gering wie möglich zu halten.
- ▶ Essen, trinken oder rauchen Sie niemals in Bereichen, in denen eine Steinstaubbelastung vorhanden ist.
- ▶ Waschen Sie Ihre Hände und Ihr Gesicht außerhalb des Belastungsbereichs, bevor Sie essen, trinken oder rauchen.
- ▶ Arbeiten Sie mit Ihrem Arbeitgeber zusammen, um die Steinstaubbelastung an Ihrem Arbeitsplatz so gering wie möglich zu halten.

**▲ WARNUNG Gefahren durch Staub**

Einige Staubsorten, Rauch oder andere Partikel in der Luft, die durch den Betrieb der Maschine freigesetzt werden, können chemische Elemente enthalten, die krebserregend sind oder Erbkrankheiten auslösen. Dazu gehören z. B.:

- > Steinstaub, Zement und andere Baustoffe.
- > Arsen und Chrom aus chemisch behandeltem Gummi.
- > Blei aus bleihaltigen Farben.
- ▶ Um die Belastung durch diese Chemikalien gering zu halten, arbeiten Sie in einem gut belüfteten Raum mit geeigneter Sicherheitsausrüstung, z. B. Staubmasken, die speziell für die Filterung mikroskopischer Partikeln vorgesehen sind.

**▲ WARNUNG Fliegende Splitter**

Beim Arbeiten können Splitter oder andere Partikel des bearbeiteten Materials zu Geschossen werden und ernsthafte Verletzungen verursachen, wenn Sie den Maschinenbenutzer oder andere Personen treffen.

- ▶ Tragen Sie immer geeignete Schutzausrüstung, einschließlich einer Schutzbrille mit seitlicher Abschirmung der Augen.
- ▶ Stellen Sie sicher, dass Unbefugte den Arbeitsbereich nicht betreten können.
- ▶ Der Arbeitsplatz ist sauber und aufgeräumt zu hinterlassen.





### ▲ **WARNUNG Gefahren durch Vibration**

Der Anwender ist auch bei normaler und richtiger Anwendung der Maschine Vibrationen ausgesetzt. Häufige und regelmäßige Vibrationsbelastungen können zu Verletzungen der Finger, Hände, Handgelenke, Arme, Schultern und/oder anderer Körperteile führen oder andere Körperteile führen oder bestehende Schädigungen verschlimmern. Es können chronische Beschwerden oder Schwächungen entstehen, die sich nur allmählich über Zeiträume von Wochen, Monaten oder Jahren entwickeln. Dazu können Schädigungen oder Störungen des Blutkreislaufs, des Nervensystems, des Bewegungsapparats oder anderer Körperstrukturen gehören.

Falls während oder nach der Benutzung der Maschine Taubheit, Kribbeln, Schmerzen, eingeschränkte Feinmotorik oder Greiffunktion, weiße Hautfärbung oder andere Symptome auftreten, nehmen Sie die Arbeit nicht wieder auf und begeben Sie sich in medizinische Betreuung. Wenn Sie nach dem Auftreten der genannten Beschwerden die Arbeit an der Maschine fortsetzen, kann das zu einer Verschlimmerung der Beschwerden oder zu chronischen Erkrankungen führen.

Die folgenden Hinweise können dazu beitragen, die Vibrationsbelastung für den Anwender gering zu halten:

- ▶ Lassen Sie das Werkzeug die Arbeit verrichten. Wenden Sie zum Festhalten der Maschine nur soviel Kraft auf, wie für deren einwandfreie Steuerbarkeit und sicheren Betrieb mindestens erforderlich ist.
- ▶ Bei laufendem Schlagmechanismus dürfen Sie keinen anderen Körperkontakt mit der Maschine haben als die Hände am Griff/an den Griffen. Vermeiden Sie jeden anderen Kontakt, z. B. Anlehnen irgendeines Körperteils an die Maschine, um die Vorschubkraft zu erhöhen. Wichtig ist auch, beim Zurückziehen des Werkzeugs aus der aufgebrochenen Bearbeitungsfläche den Start- und Stoppschalter nicht gedrückt zu halten.
- ▶ Stellen Sie sicher, dass das eingesetzte Werkzeug gut gewartet und nicht abgenutzt bzw. scharf ist (wenn es sich um ein Schneidwerkzeug handelt) und die richtige Größe hat. Werkzeuge, die nicht gut gewartet oder abgenutzt sind oder die falsche Größe haben, bewirken längere Bearbeitungszeiten und damit auch längere und höhere Vibrationsbelastungen.

- ▶ Stellen Sie sofort die Arbeit ein, wenn die Maschine plötzlich stark zu vibrieren anfängt. Ermitteln und beseitigen Sie die Ursache der verstärkten Vibrationen, bevor Sie die Arbeit fortsetzen.
- ▶ Fassen Sie während des Betriebs der Maschine niemals das Werkzeug an bzw. halten Sie es niemals fest.
- ▶ Nehmen Sie an medizinischen Untersuchungen und Kontrollen teil, wenn diese von Ihrem Arbeitgeber angeboten werden oder gesetzlich vorgeschrieben sind.

Siehe die für diese Maschine geltende „Erklärung zu Geräuschemission und Vibration“, die angegebenen Vibrationswerte und „Zusätzliche Informationen über Vibration“. Diese Informationen befinden sich am Ende dieser Sicherheitshinweise und Betriebsanleitung.

- ◆ Halten Sie den für den Betrieb der Maschine empfohlenen Luftdruck ein. Höherer oder niedrigerer Luftdruck als der empfohlene kann zu stärkeren Vibrationen führen.

### ▲ **GEFAHR Gefahren durch elektrischen Strom**

Die Maschine ist nicht elektrisch isoliert. Wenn die Maschine mit Elektrizität in Kontakt kommt, kann dies zu ernsthaften Verletzungen oder zum Tod führen.

- ▶ Betreiben Sie die Maschine niemals in der Nähe von elektrischen Leitungen oder anderen Stromquellen.
- ▶ Stellen Sie sicher, dass innerhalb des Arbeitsbereichs keine verborgenen elektrischen Quellen vorhanden sind.

### ▲ **WARNUNG Gefahren durch verborgenen Objekte**

Beim Arbeiten stellen verborgene Leitungen und Rohre eine Gefahr dar, die zu ernsthaften Verletzungen führen kann.

- ▶ Prüfen Sie vor Beginn der Arbeiten die Zusammensetzung des Materials.
- ▶ Achten Sie auf verborgene Kabel und Leitungen, z. B. Elektro-, Telefon-, Wasser-, Gas- und Abwasserleitungen.
- ▶ Wenn Sie glauben, dass das Werkzeug ein verborgenes Objekt getroffen hat, schalten Sie die Maschine sofort aus.
- ▶ Stellen Sie sicher, dass keine Gefahr besteht, bevor Sie fortfahren.

**▲ WARNUNG Unbeabsichtigter Start**

Unbeabsichtigtes Starten der Maschine kann zu Verletzungen führen.

- ▶ Halten Sie Ihre Hände so lange vom Start- und Stoppschalter fern, bis Sie zum Starten der Maschine bereit sind.
- ▶ Machen Sie sich damit vertraut, wie die Maschine im Notfall ausgeschaltet wird.
- ▶ Lassen Sie bei jeglicher Unterbrechung der Energieversorgung sofort den Start- und Stoppschalter los.
- ▶ Schalten Sie bei jedem Einsetzen/Entfernen des Werkzeugs die Luftzufuhr ab und trennen Sie die Maschine von der Energieversorgung. Lassen Sie die Maschine durch Betätigen des Start-/Stoppschalters auslaufen.

**▲ WARNUNG Gefahren durch Lärm**

Hohe Schallpegel können zu bleibendem Hörverlust führen.

- ▶ Tragen Sie einen Gehörschutz entsprechend der betrieblichen Gesundheits- und Sicherheitsbestimmungen.

**▲ ACHTUNG Heißes Werkzeug**

Die Spitze des Werkzeugs wird während des Betriebs sehr heiß. Das Berühren der Spitze kann zu Verbrennungen führen.

- ▶ Berühren Sie niemals ein heißes Werkzeug.
- ▶ Warten Sie mit eventuellen Wartungsarbeiten bis sich das Werkzeug abgekühlt hat.

## Lagerung, Vorsichtsmaßnahmen

---

- ◆ Lagern Sie die Maschine und die Werkzeuge in einer sicheren, abgeschlossenen Umgebung und für Kinder unzugänglich.

## Wartung, Vorsichtsmaßnahmen

---

**▲ WARNUNG Änderungen an der Maschine**

Änderungen an der Maschine können zu schweren Unfällen führen.

- ▶ Nehmen Sie niemals Änderungen an der Maschine vor.
- ▶ Verwenden Sie stets Originalteile und Originalzubehör von Chicago Pneumatic.

## Übersicht

Lesen Sie bitte vor dem Betrieb der Maschine die Sicherheitshinweise auf den vorangegangenen Seiten dieses Handbuchs, um Unfallrisiken, die mit ernsthaften Verletzungen oder Lebensgefahr verbunden sein können, zu vermeiden.

## Konstruktion und Funktion

Der Hand-Druckluftaufbruchhammer CP 0111 ist für leichte bis mittlere Bau- und Wartungsarbeiten konstruiert.

CP 0111 CHLA und CP 0111 CHIT sind mit einem D-Griff ausgestattet und können sowohl horizontal als auch vertikal betrieben werden.

Andere Einsatzgebiete sind nicht zulässig.

Zur Wahl des richtigen Werkzeugs schlagen Sie bitte in der Ersatzteilliste nach.

## Auswahl des für die Arbeitsaufgabe passenden Drucklufthammers

Es ist wichtig, einen Drucklufthammer in für die Arbeitsaufgabe passender Größe auszuwählen.

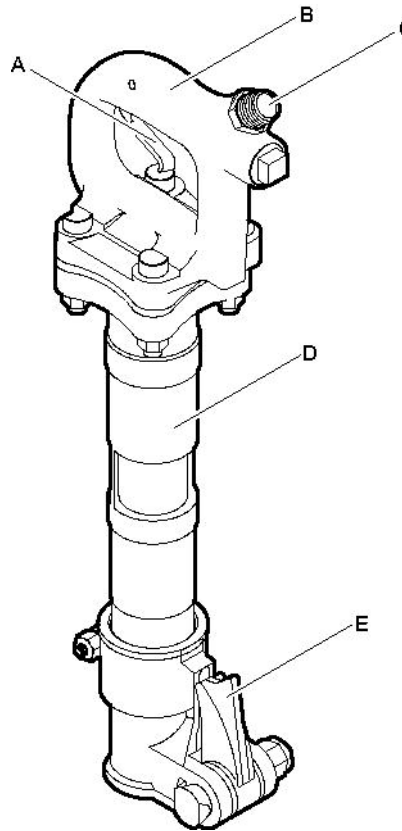
Bei einem zu kleinen Drucklufthammer dauert die Arbeit länger.

Ein zu großer Hammer muss häufig neu positioniert werden, was für den Anwender unnötig ermüdend ist.

Als Faustregel für die Größenauswahl des Drucklufthammers kann gelten, dass ein Bruchstück normaler Größe innerhalb von 10 bis 20 Sekunden herausgebrochen werden kann.

- > Dauert dies weniger als 10 Sekunden, sollte ein kleinerer Drucklufthammer verwendet werden.
- > Dauert dies länger als 20 Sekunden, sollte ein größerer Drucklufthammer verwendet werden.

## Hauptkomponenten

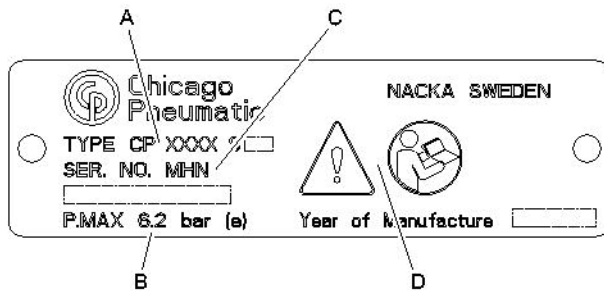


- A. Auslöser
- B. Griff
- C. Luftzufuhr
- D. Zylinder
- E. Verschluss (Werkzeugaufnahme)

## Schilder und Aufkleber

An der Maschine sind Schilder und Aufkleber mit wichtigen Informationen zu Sicherheit und Wartung angebracht. Die Schilder und Aufkleber müssen immer gut lesbar sein. Neue Schilder und Aufkleber können anhand der Ersatzteilliste nachbestellt werden.

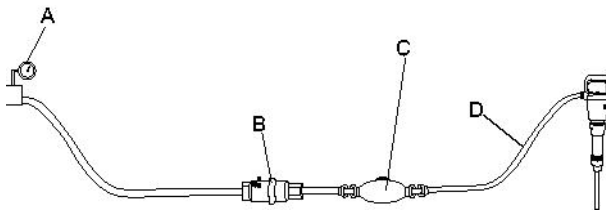
## Typenschild



- A. Maschinentyp
- B. Max. zulässiger Druckluftdruck
- C. Seriennummer
- D. Das Warnsymbol und das Buchsymbol weisen darauf hin, dass Sie vor dem ersten Einsatz der Maschine die Sicherheitshinweise und die Betriebsanleitung lesen müssen.

## Installation

### Schläuche und Anschlüsse



- A. Druckluftquelle
  - B. Wasserabscheider (optional)
  - C. Schmiervorrichtung (optional)
  - D. Max. 10 ft Druckluftschlauch zwischen Schmiervorrichtung und Maschine.
- ◆ Stellen Sie sicher, dass Sie den richtigen Luftdruck, 87 psig (6 Bar (e)), eingestellt haben.
  - ◆ Der für die Maschine zulässige maximale Luftdruck von 90 psig (6,2 bar (e)) darf nicht überschritten werden.
  - ◆ Blasen Sie alle Verunreinigungen aus dem Druckluftschlauch aus, bevor Sie die Maschine anschließen.

- ◆ Wählen Sie für den Druckluftschlauch den richtigen Durchmesser und die passende Länge aus. Für Schlauchlängen bis 100 feet (30 m) sollte ein Innendurchmesser von mindestens 3/4 in. (19 mm) verwendet werden. Für Schlauchlängen von 100 bis 300 feet (30-90 m) sollte ein Innendurchmesser von mindestens 1 in. (25 mm) verwendet werden.

## Methoden zur Vermeidung von Einfrieren

Bei Umgebungstemperaturen von 32-50 °F (0-10 °C) und hoher relativer Luftfeuchtigkeit kann sich im Schalldämpfer Eis bilden.

Die Maschine ist so konstruiert, dass eine Eisbildung im Schalldämpfer vermieden wird. Dennoch kann sich unter extremen Bedingungen im Schalldämpfer Eis bilden.

Eine weitere Verringerung des Risikos für Eisbildung kann mit folgenden Maßnahmen erreicht werden:

- ◆ Verwenden Sie ein frostschutzmittelhaltiges Druckluftwerkzeugöl.
- ◆ Verwenden Sie einen Wasserabscheider.

## Anschließen eines Wasserabscheiders

Der Schlauch zwischen Kompressor und Wasserabscheider muss so lang sein, dass der Wasserdampf abkühlt und kondensiert, bevor er den Wasserabscheider erreicht.

Wenn die Umgebungstemperatur unter 32 °F (0 °C) liegt, muss der Schlauch kurz genug sein, damit das Wasser im Schlauch nicht gefriert, bevor es den Wasserabscheider erreicht.

## Schmierung

### Schmierung

Das Schmiermittel ist wichtig für die Funktionsfähigkeit der Maschine und hat großen Einfluss auf deren nutzbare Lebensdauer. Um die richtige Menge an Schmiermittel zuzuführen, sollte eine Schmiervorrichtung an den Luftschlauch angeschlossen werden. Die Verwendung der Druckluftleitungs-Schmiervorrichtung von Chicago Pneumatic wird empfohlen. Um eine gute Schmierung zu gewährleisten, sollte die Länge des Luftschlauchs zwischen Schmiervorrichtung und

Druckluft-Aufbrechhammer 10 feet (3 m) nicht überschreiten.

Zu viel Schmiermittel kann Startprobleme, geringe Leistung oder ungleichmäßigen Lauf verursachen.

Empfohlenes Schmiermittel: Druckluftwerkzeugöl mit einer Viskosität von 100-150 SUS bei 100 °F (ISO VG 22-32).

Es wird empfohlen, ein Öl zu verwenden, das Rostschutzmittel enthält.

## Werkzeug

### Auswählen des richtigen Werkzeugs

Die Auswahl des richtigen Werkzeugs ist eine Grundvoraussetzung für die ordnungsgemäße Funktion der Maschine. Um Maschinenschäden zu vermeiden, ist es wichtig, ein qualitativ hochwertiges Werkzeug zu verwenden.

**HINWEIS!** Die Maschine kann durch die Verwendung eines falschen Werkzeugs zerstört werden.

Die empfohlenen Werkzeuge sind in der Ersatzteilliste aufgeführt.

### Flachmeißel



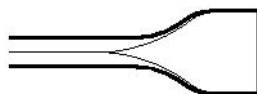
Der Flachmeißel ist für Abriss- und Trennarbeiten in Verbindung mit Beton und anderen harten Materialien vorgesehen.

### Spitzmeißel



Der Spitzmeißel ist nur für das Erzeugen von Löchern in Beton und anderen harten Materialien vorgesehen.

### Breitmeißel

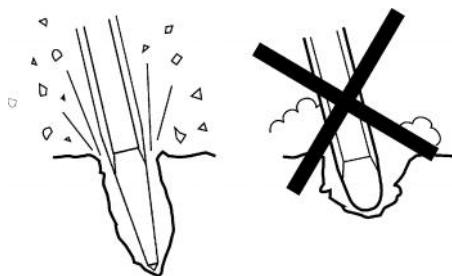


Der Breitmeißel ist nur für weiche Materialien wie Asphalt oder gefrorenen Boden vorgesehen.

### ▲ **WARNUNG Gefahren durch Vibration**

Erfüllt das Werkzeug nicht die unten genannten Anforderungen, führt dies zu einer längeren Bearbeitungszeit und damit auch zu höheren Vibrationsbelastungen. Ein abgenutztes Werkzeug bewirkt ebenfalls längere Bearbeitungszeiten.

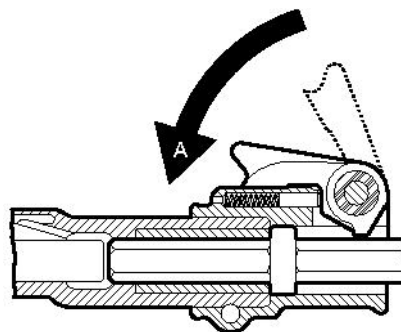
- ▶ Stellen Sie sicher, dass das Werkzeug gut gewartet und nicht abgenutzt ist und die richtige Größe hat.
- ▶ Verwenden Sie immer ein scharfes Werkzeug, um effektiv arbeiten zu können.



### Einsetzen und Entfernen des Werkzeugs

Bei jedem Einsetzen/Entfernen des Werkzeugs müssen die folgenden Anweisungen beachtet werden:

1. Um einen unbeabsichtigten Start zu verhindern: Schalten Sie die Luftzufuhr ab und trennen Sie die Maschine von der Energieversorgung. Lassen Sie die Maschine durch Betätigen des Start-/Stopschalters auslaufen.
2. Fetten Sie vor dem Einsetzen eines Werkzeugs den Werkzeugschaft ein.
3. Setzen Sie das Werkzeug ein bzw. entfernen Sie es.
- 4.



Schließen Sie die Werkzeugaufnahme (Position A), und prüfen Sie die Arretierung, indem Sie kräftig und ruckartig am Werkzeug ziehen.

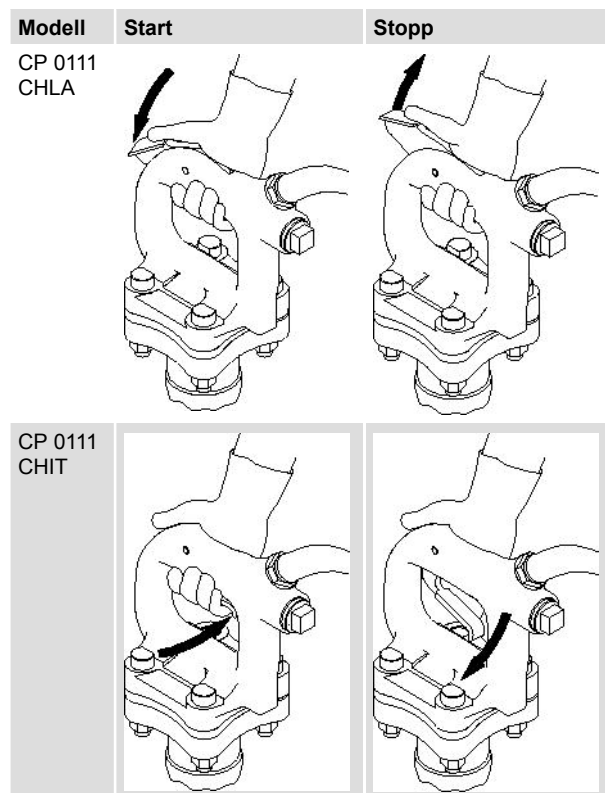
## Betrieb

### ▲ **WARNUNG** Unbeabsichtigter Start

Unbeabsichtigtes Starten der Maschine kann zu Verletzungen führen.

- ▶ Halten Sie Ihre Hände so lange vom Start- und Stoppschalter fern, bis Sie zum Starten der Maschine bereit sind.
- ▶ Machen Sie sich damit vertraut, wie die Maschine im Notfall ausgeschaltet wird.
- ▶ Lassen Sie bei jeglicher Unterbrechung der Energieversorgung sofort den Start- und Stoppschalter los.

## Start und Stopp

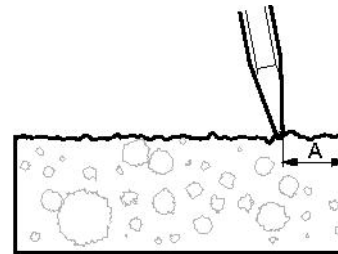


- ◆ Halten Sie den Griff gut fest, und starten Sie die Maschine durch Betätigen des Start- und Stoppschalters.
- ◆ Stoppen Sie die Maschine durch Loslassen des Auslösers. Der Schalter kehrt automatisch in die Stopposition zurück.

## Betrieb

### Beginnen eines Abbruchs

- ◆ Nehmen Sie eine stabile Standposition ein und halten Sie Ihre Füße vom Werkzeug fern.
- ◆ Drücken Sie die Maschine vor dem Start auf die Oberfläche des zu bearbeitenden Objekts.
- ◆ Die Arbeitsgeschwindigkeit der Maschine wird über den Auslöser gesteuert.
- ◆ Wählen Sie den Ansatzpunkt in einem solchen Abstand von der Bruchkante, dass die Maschine in der Lage ist, das Material ohne Hebelwirkung aufzubrechen.
- ◆ Brechen Sie niemals zu große Bruchstücke ab. Passen Sie den Bruchabstand (A) so an, dass das Werkzeug nicht stecken bleibt.



### Aufbrechen

- ◆ Lassen Sie die Maschine die Arbeit verrichten; drücken Sie nicht zu fest auf.
- ◆ Vermeiden Sie die Bearbeitung extrem harter Materialien, z. B. Granit und Stahlarmerungen (Betonrippenstahl), da dies beträchtliche Vibrationen erzeugt.
- ◆ Vermeiden Sie jeglichen Leerschlagbetrieb, z. B. Betrieb der Maschine ohne Werkzeug oder im angehobenen Zustand.
- ◆ Wenn die Maschine angehoben wird, darf der Start- und Stoppschalter nicht bedient werden.
- ◆ Prüfen Sie regelmäßig, ob die Maschine gut geschmiert ist.

## Einlegen von Pausen

- ◆ Bringen Sie die Maschine während jeder Pause außer Reichweite, so dass ein unbeabsichtigtes Starten der Maschine ausgeschlossen ist.
- ◆ Bei längeren Pausen oder beim Verlassen des Arbeitsplatzes: Schalten Sie die Druckluftversorgung aus, und lassen Sie die Maschine durch Betätigen des Start- und Stoppschalters auslaufen.

## Wartung

Eine regelmäßige Wartung ist die Grundvoraussetzung für den Erhalt der Sicherheit und Effektivität der Maschine. Halten Sie sich bitte genau an die Betriebsanleitung.

- ◆ Verwenden Sie ausschließlich Originalbauteile. Schäden oder Fehlfunktionen, die durch den Einsatz unzulässiger Bauteile entstehen, werden nicht durch Garantie oder Produkthaftung abgedeckt.
- ◆ Stellen Sie beim Reinigen mechanischer Teile mit Lösungsmittel sicher, dass die geltenden Gesundheits- und Sicherheitsvorschriften eingehalten werden und für ausreichende Lüftung gesorgt ist.
- ◆ Für eine Hauptdurchsicht der Maschine wenden Sie sich an Ihre nächste Vertragswerkstatt.

## Täglich

Schalten Sie bei pneumatischen Maschinen vor jeder Wartung oder jedem Wechsel des Werkzeug stets die Luftversorgung aus und entlüften Sie die Maschine durch Betätigen des Start- und Stoppschalters. Trennen Sie anschließend den Luftschlauch von der Maschine.

- ◆ Säubern und inspizieren Sie die Maschine täglich.
- ◆ Prüfen Sie die Werkzeugaufnahme auf Verschleiß und Funktion.
- ◆ Führen Sie eine allgemeine Prüfung auf Undichtigkeiten und Beschädigungen durch.
- ◆ Stellen Sie sicher, dass der Einlassnippel festgezogen und die Klauenkupplung nicht beschädigt ist.

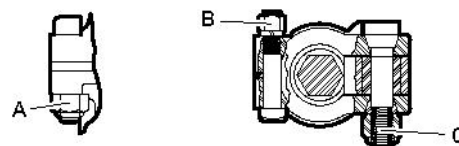
- ◆ Damit die Maschine die angegebenen Vibrationswerte einhält, sollte folgendes immer geprüft werden:  
Ein zu großer Spalt zwischen Werkzeugschaft und Meißelbuchse verursacht stärkere Vibrationen. Um erhöhte Vibrationsbelastungen zu vermeiden, prüfen Sie täglich die Meißelbuchse auf Abnutzung.
- ◆ Wechseln Sie beschädigte Bauteile sofort aus.
- ◆ Ersetzen Sie beschädigte oder verschlissene Komponenten rechtzeitig.
- ◆ Stellen Sie sicher, dass Ausrüstung und Zubehör, z. B. Schläuche, Wasserabscheider und Schmiervorrichtungen, gut gewartet sind.

## Regelmäßige Wartung

Nach einer Betriebsdauer von ca. 150 Stunden (oder zwei mal pro Jahr) muss die Maschine zerlegt und alle Teile gereinigt und geprüft werden. Diese Arbeit muss von speziell hierfür geschultem Personal durchgeführt werden.

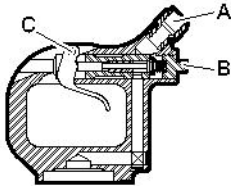
## Montageanweisungen

### CP 0111 allgemein



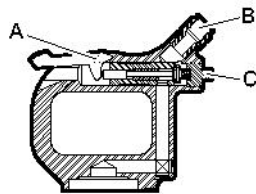
- A. Anzugsdrehmoment: 115–125 lbf.ft (156–169 Nm)
- B. Anzugsdrehmoment: 80–85 lbf.ft (109–115 Nm)
- C. Anzugsdrehmoment: 65–70 lbf.ft (88–95 Nm)

## CP 0111 CHIT



- A. Anzugsdrehmoment: 85–95 lbf.ft (115–128 Nm), verwenden Sie Loctite® 243™
- B. Anzugsdrehmoment: 85–95 lbf.ft (115–128 Nm)
- C. Gehäuse zur Sicherung des Stifts gehämmert.

## CP 0111 CHLA



- A. Gehäuse zur Sicherung des Stifts gehämmert.
- B. Anzugsdrehmoment: 85–95 lbf.ft (115–128 Nm), verwenden Sie Loctite® 243™
- C. Anzugsdrehmoment: 85–95 lbf.ft (115–128 Nm)

## Fehlersuche

Wenn der Druckluft-Abbauhammer nicht startet oder geringe oder ungleichmäßige Leistung abgibt, prüfen Sie die folgenden Punkte.

- ◆ Stellen Sie sicher, dass ein Werkzeug mit korrekter Schaftgröße eingesetzt ist.
- ◆ Stellen Sie sicher, dass der Druckluft-Aufbrechhammer mit der korrekten Menge Schmiermittel versorgt wird. Zu viel Schmiermittel kann Startprobleme, geringe oder ungleichmäßige Leistung verursachen.
- ◆ Stellen Sie sicher, dass das Druckluftsystem die Maschine mit ausreichend Druckluft für maximale Leistung versorgt.
- ◆ Prüfen Sie, ob Länge und Durchmesser des Druckluftschlauchs den Empfehlungen entsprechen. Siehe „Installation“.

- ◆ Falls Eisbildungsgefahr besteht, stellen Sie sicher, dass die Abluftöffnungen der Maschine nicht blockiert sind.
- ◆ Wenn die Maschine nach diesen Verfahren weiterhin nicht zufriedenstellend funktioniert, wenden Sie sich bitte an eine Vertragswerkstatt.

## Lagerung

- > Reinigen Sie die Maschine gut vor der Lagerung.
- > Füllen Sie ca. 1/2 oz (5 cl) Öl direkt in den Lufteinlassnippel, verbinden die Maschine mit der Druckluftversorgung, und lassen Sie sie für ein paar Sekunden laufen.
- > Lagern Sie die Maschine immer an einem trockenen Ort.

## Entsorgung

Eine verschlissene Maschine muss so entsorgt werden, dass so viel Material wie möglich wiederverwendet werden kann und die Umwelt so wenig wie möglich belastet wird.





# Technische Daten

## Maschinendaten

---

Modell	Schaftgröße in. (mm)	Artikelnummer	Gewicht lb (kg)	Länge in. (mm)	Aufschlag- freq. (Hz)	Luftdurchsatz foot <sup>3</sup> /min (l/s)
CP 0111 CHLA	Hexagon 1x4¼ (25x108)	8900 0001 20	29.9 (13)	22½ (572)	29-32	35-45 (17-21)
CP 0111 CHIT	Hexagon 7⁄8x3-¼ (22x82,5)	8900 0001 41	29.9 (13)	22 13⁄16 (580)	29-32	35-45 (17-21)

**ESPAÑOL****Contenido**

<b>Introducción</b> .....	47
<b>Acerca de las instrucciones de seguridad y de funcionamiento</b> .....	47
<b>Instrucciones de seguridad</b> .....	48
Terminología de las señales de seguridad .....	48
Precauciones y cualificaciones del personal .....	48
Instalación, precauciones .....	48
Funcionamiento, precauciones .....	49
Almacenaje, precauciones .....	52
Mantenimiento, precauciones .....	52
<b>Visión general</b> .....	53
Diseño y funcionamiento .....	53
Seleccionar el rompedor neumático correcto para la tarea .....	53
Piezas principales .....	53
Símbolos y letreros .....	53
<b>Instalación</b> .....	54
Mangueras y conexiones .....	54
Métodos para prevenir la congelación .....	54
Conexión de un separador de agua .....	54
Lubricación .....	54
Herramienta de inserción .....	55
<b>Funcionamiento</b> .....	56
Puesta en marcha y parada .....	56
En funcionamiento .....	56
En los descansos .....	57
<b>Mantenimiento</b> .....	57
A diario .....	57
Mantenimiento periódico .....	57
Instrucciones de montaje .....	57
<b>Localización y resolución de problemas</b> .....	58
<b>Almacenaje</b> .....	58
<b>Desechar</b> .....	58
<b>Especificaciones técnicas</b> .....	59
Datos de la máquina .....	59



## Introducción

Gracias por elegir Chicago Pneumatic como proveedor de herramientas y servicios. Chicago Pneumatic es una empresa internacional que ofrece una amplia gama de herramientas neumáticas e hidráulicas como martillos rompedores, perforadoras, cinceladores, excavadoras de tierra, picos, remachadoras, desbastadoras, bombas y muchas otras herramientas.

En 2001, Chicago Pneumatic celebró su centenario como pionero y líder de mercado en la industria de las herramientas neumáticas. Chicago Pneumatic siempre se ha centrado en proporcionar productos potentes y fiables, fáciles de mantener y con una buena relación calidad-precio. Es una filosofía que ha permitido que seamos el líder de mercado en herramientas neumáticas en los EE.UU.

Obtenga más información en [www.cp.com](http://www.cp.com)

## Acerca de las instrucciones de seguridad y de funcionamiento

El objeto de las instrucciones es enseñarle a utilizar el rompedor neumático de una forma eficaz y segura. Asimismo, las instrucciones le aconsejan el modo de realizar el mantenimiento regular del rompedor neumático.

Antes de utilizarlo por primera vez debe leer estas instrucciones con atención y entenderlas en su totalidad.



## Instrucciones de seguridad

Para reducir el riesgo de ocasionar lesiones graves o la muerte a usted o a otras personas, lea estas instrucciones de seguridad antes de utilizar la máquina.

Exponga estas instrucciones de seguridad en las zonas de trabajo, proporcione copias a los empleados y asegúrese de que todos las lean antes de utilizar la máquina o de realizar las tareas de mantenimiento de ésta.

Cumpla todas las normativas de seguridad.

## Terminología de las señales de seguridad

Los términos de seguridad Peligro, Atención y Cuidado tienen los siguientes significados:

<b>PELIGRO</b>	Indica una situación de peligro que, si no se evita, ocasionará la muerte o lesiones graves.
<b>ATENCIÓN</b>	Indica una situación de peligro que, si no se evita, podría ocasionar la muerte o lesiones graves.
<b>CUIDADO</b>	Indica una situación de peligro que, si no se evita, podría ocasionar lesiones menores o moderadas.

## Precauciones y cualificaciones del personal

Sólo personas cualificadas y debidamente formadas pueden utilizar u ocuparse del mantenimiento de la máquina. Utilice siempre su sentido común y buen juicio.

### Equipo de protección personal

Utilice siempre equipo de protección autorizado. Los operarios y el resto del personal del área de trabajo deben llevar, como mínimo, el siguiente equipo de protección:

- > Casco de protección
- > Protección auditiva
- > Protección ocular resistente a los impactos con protección lateral
- > Protección respiratoria, cuando sea necesario
- > Guantes protectores

- > Botas protectoras adecuadas
- > Una bata de trabajo adecuada o prenda similar (no holgada) que cubra los brazos y las piernas.

### Drogas, alcohol y medicación

#### ▲ ATENCIÓN Drogas, alcohol y medicación

Las drogas, el alcohol y la medicación pueden alterar la capacidad de juicio y el poder de concentración. Las malas reacciones y las valoraciones incorrectas pueden provocar accidentes graves o la muerte.

- ▶ Nunca utilice la máquina cuando esté cansado o bajo los efectos de drogas, alcohol o medicinas.
- ▶ Nadie que esté bajo los efectos de drogas, alcohol o medicinas podrá manejar la máquina.

## Instalación, precauciones

#### ▲ PELIGRO Manguera de aire suelta

Una manguera de aire comprimido floja puede asestar latigazos al operador o a las personas que se encuentren en las inmediaciones y ocasionar lesiones o incluso la muerte.

- ▶ Compruebe que la manguera de aire comprimido y las conexiones no estén dañadas.
- ▶ Compruebe que todas las conexiones de aire comprimido estén debidamente conectadas.
- ▶ No intente nunca desconectar una manguera de aire comprimido que esté presurizada. En primer lugar, deberá apagar el suministro de aire comprimido del compresor y a continuación, purgue la máquina activando el dispositivo de puesta en marcha y parada.
- ▶ No dirija nunca una manguera de aire comprimido en dirección a su cuerpo o a otra persona. Para evitar el riesgo de lesiones, no utilice nunca una manguera de aire comprimido para limpiar el polvo, la suciedad, etc. de sus ropas.



### ▲ ATENCIÓN Herramienta de inserción retirada

Si el retén de la herramienta de la máquina no está en una posición bloqueada, la herramienta insertada se puede retirar de forma forzosa, lo que puede causar lesiones personales.

- ▶ Nunca arranque la máquina mientras cambia la herramienta de inserción.
- ▶ Antes de cambiar la herramienta de inserción, pare la máquina, desconecte el suministro de aire comprimido y purgue la máquina activando el dispositivo de puesta en marcha y parada.
- ▶ Nunca dirija la herramienta insertada hacia usted ni hacia otras personas.
- ▶ Asegúrese de que la herramienta de inserción esté insertada completamente y que el retén de la herramienta esté en una posición bloqueada antes de arrancar la máquina.
- ▶ Compruebe la función de bloqueo tirando de la herramienta insertada hacia fuera con fuerza.

### ▲ ATENCIÓN Movimiento o deslizamiento de la herramienta de inserción

Unas dimensiones incorrectas del vástago de la herramienta insertada pueden dar lugar a que ésta se pierda o resbale durante su uso. Riesgo de lesiones graves o de aplastamiento de manos y dedos.

- ▶ Compruebe que el vástago de la herramienta de inserción tenga la longitud y las dimensiones adecuadas para la máquina.
- ▶ Nunca utilice una herramienta de inserción sin un anillo.

## Funcionamiento, precauciones

### ▲ PELIGRO Peligro de explosión

Si una herramienta de inserción entra en el contacto con explosivos o con gases explosivos, se podría producir una explosión. Durante el funcionamiento con determinados materiales, se pueden producir chispas y un incendio. Las explosiones producirán lesiones graves o la muerte.

- ▶ Nunca utilice la máquina en un entorno explosivo.
- ▶ Nunca utilice la máquina cerca de materiales inflamables, humos o polvo.
- ▶ Asegúrese de que no haya fuentes de gas ni explosivos no detectados.

### ▲ ATENCIÓN Movimientos inesperados

La herramienta insertada está expuesta a fuertes tensiones cuando se utiliza la máquina. Además puede romperse por fatiga después de un cierto volumen de uso. Si la herramienta insertada se rompe o se atasca, es posible que haya movimientos repentinos e inesperados que pueden producir lesiones. Por lo tanto, si el usuario pierde el equilibrio o se resbala, podría sufrir lesiones.

- ▶ Asegúrese de estar siempre en una posición estable con los pies separados a la altura de los hombros, y con el peso del cuerpo equilibrado.
- ▶ Inspeccione siempre el equipo antes de usarlo. No utilice el equipo si cree que puede estar dañado.
- ▶ Compruebe que las empuñaduras estén limpias y que no tengan grasa ni aceite.
- ▶ Mantenga los pies lejos de la herramienta insertada.
- ▶ Manténgase firmemente de pie y agarre siempre la máquina con ambas manos.
- ▶ Nunca arranque la máquina cuando esté en el suelo.
- ▶ Nunca “pise” en la máquina con un pie sobre la empuñadura.
- ▶ No golpee nunca ni maltrate el equipo.
- ▶ Compruebe regularmente el desgaste de la herramienta de inserción y compruebe si hay signos de daños o grietas visibles.
- ▶ Preste atención y mire lo que está haciendo.



### **▲ ATENCIÓN Riesgos relacionados con el sílice**

La exposición al sílice cristalino (en ocasiones llamado “polvo de sílice”) como resultado de la rotura, perforación o cincelado de rocas, hormigón, asfalto u otros materiales pueden provocar silicosis (una enfermedad pulmonar grave), enfermedades relacionadas con la silicosis, cáncer o la muerte. El sílice es uno de los principales componentes en los yacimientos de roca, arena y minerales. Para reducir la exposición al sílice:

- ▶ Utilice controles de ingeniería adecuados para reducir la cantidad de sílice presente en el aire y la acumulación de polvo sobre el equipo y las superficies. Algunos ejemplos de estos controles son: sistemas de ventilación y captación de polvo, rociadores de agua y perforaciones con barrido por agua. Compruebe que los controles estén adecuadamente instalados y mantenidos.
- ▶ Lleve, mantenga y utilice correctamente mascarillas antipartículas aprobadas cuando no tenga suficiente con los controles de ingeniería para reducir la exposición por debajo de niveles permisibles.
- ▶ Participe en la supervisión de la calidad del aire, en exámenes médicos y en programas de formación ofrecidos por su superior y cuando la ley así lo exija.
- ▶ Lleve prendas protectoras lavables o desechables en el lugar de trabajo; dúchese y póngase ropa limpia antes de salir del lugar de trabajo para reducir su exposición al sílice y la de otras personas, coches, casas y otras zonas.
- ▶ Nunca coma, beba o fume en zonas donde haya polvo que contenga sílice cristalino.
- ▶ Lávese las manos y la cara antes de comer, beber o usar productos relacionados con el tabaco fuera del área de exposición.
- ▶ Colabore con su empleador para reducir la exposición al sílice en el lugar de trabajo.

### **▲ ATENCIÓN Riesgos relacionados con el polvo**

El polvo, los gases y otros materiales en suspensión generados durante el uso de la máquina pueden contener sustancias químicas que en el Estado de California se sabe que han producido cáncer y defectos de nacimiento u otros daños reproductivos. Algunos ejemplos de estas sustancias químicas son:

- > Sílice cristalino, cemento y otros productos de albañilería.
- > Arsénico y cromo procedente del caucho tratado con sustancias químicas.
- > Plomo procedente de pinturas al plomo.
- ▶ Para reducir su exposición a estas sustancias químicas, trabaje en una zona bien ventilada con equipos de seguridad aprobados, como por ejemplo máscaras antipolvo, que estén especialmente diseñadas para filtrar las partículas microscópicas.

### **▲ ATENCIÓN Projectiles**

Durante el funcionamiento, las astillas y otras partículas del material de trabajo pueden actuar como proyectiles y causar daños corporales al golpear al operario o a otras personas.

- ▶ Utilice un equipo de protección personal aprobado, incluida la protección ocular contra impactos con protección lateral.
- ▶ Asegúrese de que las personas no autorizadas no entren en la zona de trabajo.
- ▶ Mantenga el lugar de trabajo libre de objetos extraños.



### ▲ ATENCIÓN Riesgos relativos a las vibraciones

El uso normal y correcto de la máquina expone al operario a las vibraciones. La exposición regular y frecuente a las vibraciones puede ocasionar lesiones o trastornos -o contribuir a provocarlos o agravarlos- en dedos, manos, muñecas, brazos, hombros y/u otras partes del cuerpo del operario, incluidas lesiones o trastornos permanentes y/o debilitantes que pueden desarrollarse gradualmente durante periodos de semanas, meses o años. Entre estas lesiones o trastornos pueden estar el deterioro del sistema circulatorio sanguíneo, el sistema nervioso, las articulaciones y otros daños en distintas zonas corporales.

Si siente que se le duerme algún miembro del cuerpo, u hormigueos, dolor, torpeza, una capacidad de agarre debilitado en las manos, la piel pálida u otros síntomas en cualquier momento, al usar la máquina o en otro momento, deje de usarla y vaya al médico. El uso continuado de la máquina tras la aparición de alguno de estos síntomas puede hacer que aumente el riesgo de que estos síntomas se agraven y/o se conviertan en permanentes.

Las siguientes indicaciones pueden ayudar a reducir la exposición a las vibraciones para el operario:

- ▶ Deje que sea la máquina la que haga el trabajo. Agárrela lo mínimo, para controlarla correctamente y que su uso sea seguro.
- ▶ Cuando se active el mecanismo de percusión, el único contacto corporal con la máquina que se debe tener es el de las manos en la empuñadura o las empuñaduras. Evite cualquier otro contacto, como apoyar cualquier parte del cuerpo en la máquina o apoyarse en ella para aumentar la fuerza de avance. También es importante no mantener el dispositivo de puesta en marcha y parada encendido al mismo tiempo que se extrae la herramienta de la superficie de trabajo rota.
- ▶ Asegúrese de que la herramienta insertada se encuentra en buen estado (incluso afilada, si se trata de una herramienta de corte), no está gastada y es del tamaño adecuado. Las herramientas de inserción que no se encuentran en buen estado, están gastadas o no son del tamaño adecuado alargan el tiempo de realización de una tarea (y de exposición a las vibraciones) y pueden contribuir a la exposición a niveles más altos de vibración.
- ▶ Deje de trabajar inmediatamente, si de repente la máquina empieza a vibrar violentamente. Antes de continuar trabajando, averigüe y elimine la causa del incremento de las vibraciones.

- ▶ Nunca agarre, sostenga ni toque la herramienta de trabajo cuando utilice la máquina.
- ▶ Participe en la supervisión de la calidad de aire, en exámenes médicos y programas de formación ofrecidos por su superior y cuando la ley así lo exija.

Consulte la “Declaración de ruido y vibraciones” de la máquina, incluidos los valores declarados de vibración y la “Información adicional sobre vibraciones”. Puede encontrar esta información al final de las instrucciones de seguridad y de funcionamiento.

- ◆ Asegúrese de satisfacer la presión atmosférica recomendada al utilizar la máquina. Una presión atmosférica más alta o más baja puede producir niveles más altos de vibración.

### ▲ PELIGRO Riesgos relacionados con la electricidad

La máquina no está aislada eléctricamente. Si la máquina entra en contacto con la electricidad, podría provocar lesiones graves o la muerte.

- ▶ No utilice nunca la máquina cerca de un cable eléctrico ni otra fuente de electricidad.
- ▶ Compruebe que no haya cables u otras fuentes de electricidad ocultos en el área de trabajo.

### ▲ ATENCIÓN Peligros relacionados con objetos ocultos

Durante el funcionamiento, los cables y tubos ocultos constituyen un peligro, ya que pueden ocasionar lesiones graves o la muerte.

- ▶ Compruebe la composición del material antes del funcionamiento.
- ▶ Fíjese bien que no haya cables ni tubos ocultos, como líneas de electricidad, teléfono, agua, gas y aguas residuales.
- ▶ Si la herramienta insertada parece haber topado con un objeto oculto, apague la máquina de inmediato.
- ▶ Compruebe que no haya ningún peligro antes de continuar.



### **▲ ATENCIÓN Encendido involuntario**

El arranque involuntario puede producir lesiones.

- ▶ Mantenga las manos alejadas del dispositivo de puesta en marcha y parada hasta que esté listo para arrancar la máquina.
- ▶ Sepa cómo apagar la máquina en caso de producirse una emergencia.
- ▶ Libere el dispositivo de puesta en marcha y parada inmediatamente siempre que se interrumpa el suministro eléctrico.
- ▶ Cuando inserte o extraiga la herramienta de inserción debe interrumpir el suministro de aire y desconectar la máquina del generador. Purgue la máquina pulsando el dispositivo de puesta en marcha/parada.

### **▲ ATENCIÓN Riesgos relacionados con el ruido**

Los niveles de ruido altos pueden provocar una pérdida auditiva permanente.

- ▶ Use protección auditiva acorde con las normas de seguridad y salud laboral.

## **Almacenaje, precauciones**

- ◆ Guarde la máquina y las herramientas en un lugar seguro, fuera del alcance de los niños y bajo llave.

## **Mantenimiento, precauciones**

### **▲ ATENCIÓN Modificación de la máquina**

Cualquier modificación de la máquina puede dar lugar a lesiones personales o en las demás personas.

- ▶ Nunca modifique la máquina.
- ▶ Utilice siempre piezas originales y accesorios autorizados por Chicago Pneumatic.

### **▲ CUIDADO Herramienta de inserción caliente**

La punta de la herramienta de inserción se calienta cuando se usa. Si se toca, puede provocar quemaduras.

- ▶ Nunca toque una herramienta de inserción caliente.
- ▶ Espere a que la herramienta de inserción se haya enfriado antes de realizar los trabajos de mantenimiento.





## Visión general

Para reducir el riesgo de que usted u otras personas padezcan lesiones graves o la muerte, antes de usar la máquina lea la sección de Instrucciones de seguridad que encontrará en las páginas anteriores de este manual.

## Diseño y funcionamiento

El rompedor neumático de mano CP 0111 está diseñado para construcciones ligeras o medias y trabajos de mantenimiento de plantas.

Los modelos CP 0111 CHLA y CP 0111 CHIT están equipados con una empuñadura en D y pueden utilizarse horizontalmente y verticalmente.

No está permitido ningún otro uso.

Para elegir la herramienta de trabajo adecuada, consulte la lista de piezas de repuesto.

## Seleccionar el rompedor neumático correcto para la tarea

Es importante elegir el tamaño correcto de rompedor neumático para el trabajo que va a realizarse.

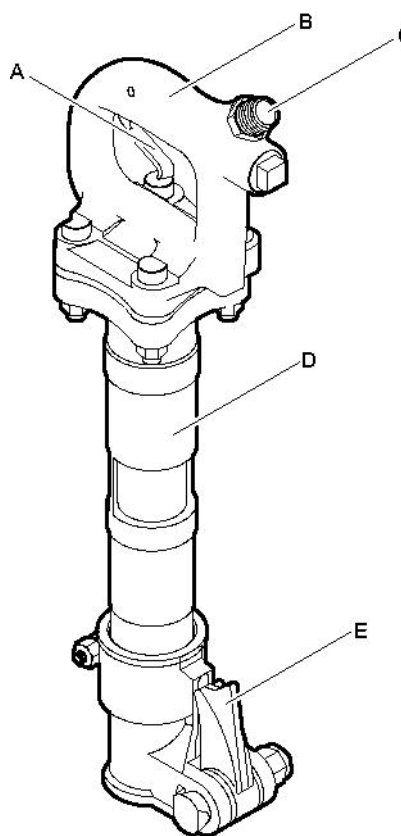
Un rompedor neumático demasiado pequeño supone que la tarea tardará más tiempo en realizarse.

Un rompedor neumático demasiado grande implica que debe recolocarse con frecuencia, lo que resulta innecesariamente pesado para el operario.

Una regla sencilla para elegir el tamaño correcto del rompedor neumático es que un trozo de tamaño normal de material roto se debe retirar de la pieza de trabajo a los 10-20 segundos de funcionamiento.

- > Si se tarda menos de 10 segundos, debe seleccionar un rompedor neumático más pequeño.
- > Si se tarda más de 20 segundos, debe seleccionarse un rompedor neumático más grande.

## Piezas principales



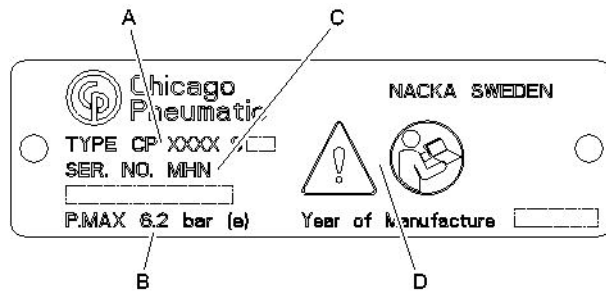
- A. Arranque
- B. Empuñadura
- C. Entrada de aire
- D. Cilindro
- E. Trinquete (retén de la herramienta)

## Símbolos y letreros

La máquina incluye símbolos y letreros que contienen información importante sobre la seguridad personal y el mantenimiento de la máquina. Los símbolos y los letreros siempre deben ser fáciles de leer. Pueden pedirse símbolos y letreros nuevos de la lista de piezas de repuesto.



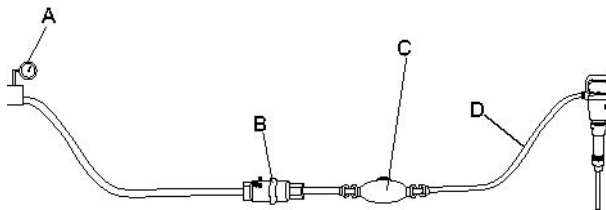
## Placa de datos



- A. Tipo de máquina
- B. Presión de aire comprimido máxima permitida
- C. Número de serie
- D. El símbolo de atención unido al símbolo del libro significa que el usuario debe leer las instrucciones de seguridad y de funcionamiento antes de usar la máquina por primera vez.

## Instalación

### Mangueras y conexiones



- A. Fuente de aire comprimido
  - B. Separador de agua (opcional)
  - C. Engrasador (opcional)
  - D. Manguera de aire comprimido de un máximo de 10 feet (3 m) entre el engrasador y la máquina.
- ◆ Compruebe que utiliza la presión máxima de funcionamiento, 87 psig (6 bar (e)).
  - ◆ No debe sobrepasarse la presión máxima de aire admisible, 90 psig (6,2 bar (e)).
  - ◆ Quite las impurezas de la manguera de aire comprimido antes de conectarla a la máquina.

- ◆ Seleccione las dimensiones correctas y la longitud del manguito de aire comprimido. Para longitudes de manguera de hasta 100 feet (30 metros), debe utilizarse una manguera con un diámetro interno mínimo de 3/4 in. (19 mm). Si la longitud de la manguera es de 100 a 300 feet (30 a 90 m), debe utilizarse una manguera con un diámetro interno mínimo de 1 in. (25 mm).

## Métodos para prevenir la congelación

Puede acumularse hielo en el silenciador cuando la temperatura ambiente es de 32-50 °F (0-10 °C) y la humedad relativa es alta.

La máquina está diseñada para evitar la formación de hielo en el silenciador. A pesar de ello, se puede formar hielo bajo condiciones extremas en el silenciador.

Se pueden llevar a cabo las acciones siguientes para contrarrestar el riesgo de formación de hielo:

- ◆ Utilice aceite para herramientas neumáticas que tenga agentes anticongelantes.
- ◆ Utilice un separador de agua.

## Conexión de un separador de agua

La longitud de la manguera de aire entre el compresor y el separador de agua debe ser lo suficiente como para que el vapor de agua se enfríe y se condense en la manguera antes de alcanzar el separador de agua.

Si la temperatura ambiente está por debajo de 32 °F (0 °C) el tubo flexible debe ser lo suficientemente corto para impedir que se congele el agua antes de llegar al separador de agua.

## Lubricación

### Lubricación

El lubricante es importante para la función de la máquina y tiene un impacto importante en la vida útil. Para suministrar el volumen correcto de aceite, debe conectarse un lubricador a la manguera de aire. Se recomienda utilizar lubricante para tubos de aire de Chicago Pneumatic. Para garantizar una lubricación correcta, la longitud del manguito de aire entre el lubricador y el martillo neumáticos no debe sobrepasar 10 feet (3 m).



Aplicar demasiado lubricante puede ocasionar problemas de arranque, potencia baja o rendimiento irregular.

Lubricante recomendado: Aceite para herramientas neumáticas con una viscosidad de 100-150 SUS a 100°F (ISO VG 22–32).

Se recomienda que el aceite incluya un inhibidor del óxido.

## Herramienta de inserción

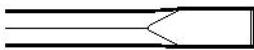
### Selección de la herramienta de inserción adecuada

Seleccionar la herramienta de inserción adecuada es una condición previa para que la máquina funcione correctamente. Es importante elegir herramientas de inserción de alta calidad para evitar que la máquina sufra daños innecesarios.

**AVISO!** El uso de herramientas de inserción incorrectas puede inutilizar la máquina.

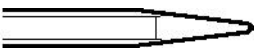
Las herramientas de inserción recomendadas se incluyen en la lista de piezas de repuesto de la máquina.

#### Cinzel estrecho



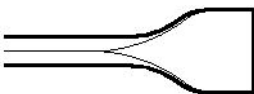
El cinzel estrecho se utiliza para la demolición y el trabajo de corte del hormigón y otros tipos de material duro.

#### Cinzel de punta



El cinzel de punta debe usarse sólo para perforar orificios en hormigón y otros tipos de material duro.

#### Cinzel de hoja ancha

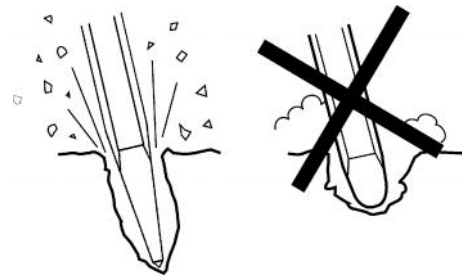


El cinzel de hoja ancha se utiliza con materiales blandos, tales como asfalto y tierra congelada.

### ⚠ ATENCIÓN Riesgos relativos a las vibraciones

Si se utilizan herramientas de inserción que no cumplan los criterios siguientes, se tardará más en terminar la tarea y pueden producirse mayores niveles de exposición a las vibraciones. Si utiliza una herramienta desgastada, aumentará también el tiempo de trabajo.

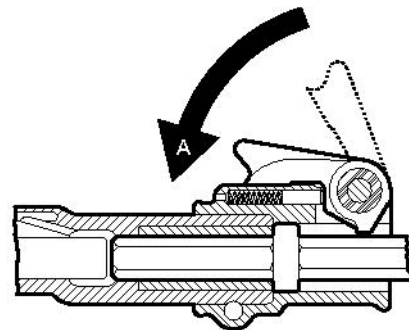
- ▶ Asegúrese de que la herramienta insertada se encuentra en buen estado, no está gastada y es del tamaño adecuado.
- ▶ Utilice siempre una herramienta afilada para trabajar de manera eficiente.



### Inserción y extracción de la herramienta de inserción

Cuando inserte o extraiga la herramienta de inserción debe respetar las siguientes instrucciones:

1. Para evitar un arranque accidental: interrumpir el suministro de aire y desconectar la máquina del generador. Purgue la máquina pulsando el dispositivo de puesta en marcha/parada.
2. Antes de insertar una herramienta, lubricar el casquillo de la herramienta con grasa.
3. Inserte/extraiga la herramienta de inserción.
- 4.



Cierre el retenedor de la herramienta (posición A) y compruebe la función de bloqueo tirando bruscamente de la herramienta insertada hacia fuera.



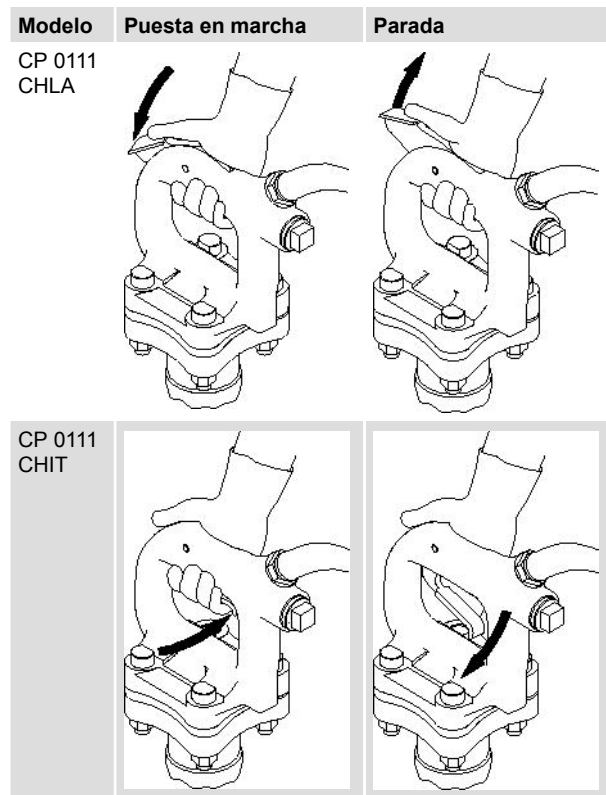
## Funcionamiento

### ▲ ATENCIÓN Arranque involuntario

El arranque involuntario puede producir lesiones.

- ▶ Mantenga sus manos alejadas del dispositivo de puesta en marcha y parada hasta que esté listo para arrancar la máquina.
- ▶ Aprenda cómo apagar la máquina en el caso de producirse una emergencia.
- ▶ Libere el dispositivo de puesta en marcha y parada inmediatamente siempre que se interrumpa el suministro eléctrico.

## Puesta en marcha y parada

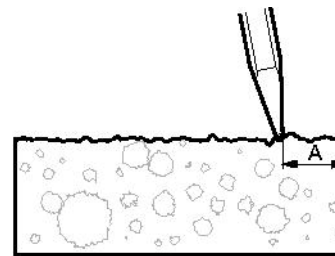


- ◆ Arranque la máquina apretando el dispositivo de puesta en marcha y parada mientras sostiene firmemente la empuñadura.
- ◆ Pare la máquina soltando el gatillo. El dispositivo de puesta en marcha y parada vuelve automáticamente a la posición de parada.

## En funcionamiento

### Inicio del corte

- ◆ Adquiera una posición estable, con los pies alejados de la herramienta insertada.
- ◆ Presione la máquina contra la superficie de trabajo antes de empezar.
- ◆ La velocidad de trabajo de la máquina se controla con el gatillo.
- ◆ Empiece a poner aro a una distancia del borde que permita a la máquina romper el material sin efecto de palanca.
- ◆ No rompa nunca trozos muy grandes. Ajuste la distancia de ruptura (A) de forma que la herramienta insertada no quede trabada.



### Roturas

- ◆ Deje que la máquina haga el trabajo y no haga demasiada fuerza.
- ◆ Evite trabajar con materiales extremadamente duros, p. ej. granito y hierro de refuerzo (varilla), que podrían producir vibraciones importantes.
- ◆ Debe evitarse el funcionamiento en vacío, sin la herramienta de inserción o con una máquina levantada.
- ◆ Cuando se levanta la máquina, el dispositivo de puesta en marcha y parada no debe activarse.
- ◆ Compruebe regularmente que la máquina esté bien lubricada.



## En los descansos

- ◆ Durante todos los descansos debe colocar la máquina de forma que no haya riesgo de que se ponga en marcha involuntariamente.
- ◆ En el caso de un descanso más largo o cuando llega la hora de irse: Apague el suministro de aire comprimido y, a continuación, purgue la máquina activando el dispositivo de puesta en marcha y parada.

## Mantenimiento

El mantenimiento regular es un requisito esencial para el uso seguro y eficaz de la máquina. Siga las instrucciones de funcionamiento detenidamente.

- ◆ Siempre deben utilizarse piezas originales. Cualquier fallo o defecto originado por la utilización de piezas no originales produce la consecuente pérdida de garantía.
- ◆ Al limpiar piezas mecánicas con un disolvente, asegúrese de cumplir con la normativa de salud y seguridad en el trabajo y de que haya la suficiente ventilación.
- ◆ Para realizar una reparación más completa de la máquina, acuda al taller autorizado más cercano.

## A diario

Antes de realizar cualquier tarea de mantenimiento o cambiar la herramienta de inserción en las máquinas neumáticas, desactive siempre el suministro de aire y purgue la máquina pulsando el dispositivo de puesta en marcha y parada, y a continuación desconecte la manguera de aire de la máquina.

- ◆ Limpie e inspeccione la máquina a diario.
- ◆ Compruebe que el retén de la herramienta no esté desgastado y que funcione.
- ◆ Realice una inspección general para determinar si hay fugas o desperfectos.
- ◆ Compruebe que la boquilla de admisión de aire esté apretada y que el acoplamiento de garra no esté dañado.

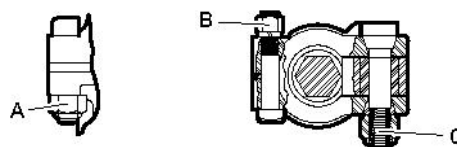
- ◆ Para mantener los valores especificados de vibración, compruebe siempre lo siguiente:  
Una holgura demasiado grande entre el vástago de la herramienta de inserción y el casquillo del cincel producirá vibraciones mayores. Para evitar la exposición a excesivas vibraciones, compruebe a diario que el casquillo guía no esté desgastado.
- ◆ Cambie las piezas dañadas inmediatamente.
- ◆ Sustituya los componentes dañados o gastados con la debida antelación.
- ◆ Asegúrese de que todos los equipos fijados, tales como manguitos, separadores de agua y lubricantes reciban un mantenimiento adecuado.

## Mantenimiento periódico

Después de un periodo operativo de unas 150 horas de impacto o dos veces al año, se debe desmontar la máquina y limpiar y comprobar todas las piezas. Este trabajo debe realizarlo personal autorizado y cualificado para ello.

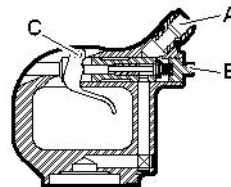
## Instrucciones de montaje

### CP 0111 general



- A. Apriete: 115-125 lbf.ft (156-169 Nm)
- B. Apriete: 80-85 lbf.ft (109-115 Nm)
- C. Apriete: 65-70 lbf.ft (88-95 Nm)

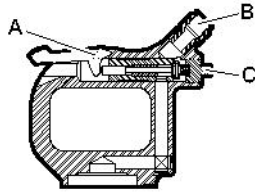
### CP 0111 CHIT



- A. Apriete: 85-95 lbf.ft (115-128 Nm), utilizar Loctite® 243™
- B. Apriete: 85-95 lbf.ft (115-128 Nm)
- C. Carcasa martillada para retener el pasador.



## CP 0111 CHLA



- A. Carcasa martillada para retener el pasador.
- B. Apriete: 85-95 lbf.ft (115-128 Nm), utilizar Loctite® 243™
- C. Apriete: 85-95 lbf.ft (115-128 Nm)

## Localización y resolución de problemas

Si el rompedor neumático no se pone en marcha, o genera una potencia baja o un rendimiento irregular, compruebe los siguientes puntos.

- ◆ Compruebe que la herramienta de trabajo utilizada tenga las dimensiones de buje correctas.
- ◆ Compruebe que el rompedor neumático tenga la cantidad correcta de lubricante. Una lubricación excesiva puede provocar problemas durante la puesta en marcha, una potencia baja o un rendimiento irregular.
- ◆ Compruebe que el sistema de aire comprimido abastezca a la máquina con suficiente presión de aire para generar una potencia plena.
- ◆ Compruebe las dimensiones y la longitud del tubo flexible de aire según las recomendaciones. Consulte la sección “Instalación”.
- ◆ Si hay un riesgo de congelación, compruebe que las salidas de escape de la máquina no estén bloqueadas.
- ◆ Si el funcionamiento de la máquina todavía no es satisfactorio tras seguir el procedimiento anterior, acuda a un taller de reparación autorizado.

## Almacenaje

- > Limpie correctamente la máquina antes de guardarla.
- > Vierta unos 5 cl (1/2 oz) de aceite en de la boquilla de entrada de aire, conecte la máquina al suministro de aire comprimido y arránquela durante unos segundos.
- > Guarde siempre la máquina en un lugar seco.

## Desechar

Una máquina usada se debe manipular y desechar de tal forma que se pueda reciclar la mayor cantidad posible del material, y haya la menor influencia negativa posible en el medio ambiente.



# Especificaciones técnicas

## Datos de la máquina

Modelo	Dimensiones del vástago in. (mm)	Número de pieza	Peso lb (kg)	Longitud in. (mm)	Frec. impacto (Hz)	Consumo de aire foot <sup>3</sup> /min (l/s)
CP 0111 CHLA	Hexagon 1x4¼ (25x108)	8900 0001 20	29.9 (13)	22½ (572)	29-32	35-45 (17-21)
CP 0111 CHIT	Hexagon 7⁄8x3¼ (22x82,5)	8900 0001 41	29.9 (13)	22 13⁄16 (580)	29-32	35-45 (17-21)

**PORTUGUÊS****Índice**

<b>Introdução</b> .....	61
<b>Acerca das instruções de segurança e operação</b> .....	61
<b>Instruções de segurança</b> .....	62
Palavras de avisos de segurança.....	62
Precauções e competências pessoais.....	62
Instalação, precauções.....	62
Operação, precauções.....	63
Armazenamento, precauções.....	66
Manutenção, precauções.....	66
<b>Visão geral</b> .....	67
Concepção e função.....	67
Escolher o martelo pneumático correcto para uma tarefa.....	67
Peças principais.....	67
Sinais e autocolantes.....	67
<b>Instalação</b> .....	68
Mangueiras e ligações.....	68
Métodos para evitar o congelamento.....	68
Conectar o separador de água.....	68
Lubrificação.....	68
Ferramenta de inserção.....	69
<b>Operação</b> .....	69
Arranque e paragem.....	70
Funcionamento.....	70
Ao fazer uma pausa.....	70
<b>Manutenção</b> .....	70
Diariamente.....	71
Manutenção periódica.....	71
Instruções de montagem.....	71
<b>Diagnóstico e reparação de avarias</b> .....	72
<b>Armazenamento</b> .....	72
<b>Abate</b> .....	72
<b>Dados técnicos</b> .....	73
Dados da máquina.....	73





## Introdução

Obrigado por ter escolhido a Chicago Pneumatic como fornecedor de ferramentas e serviços.

A Chicago Pneumatic é uma empresa global que oferece uma vasta gama de ferramentas pneumáticas e hidráulicas que incluem martelos, brocas para rocha, martelos raspadores, escavadoras de calcário, picadores e demolidores, bombas e muito mais.

Em 2001, a Chicago Pneumatic Tool Company celebrou 100 anos como pioneira e líder de mercado da indústria de ferramentas pneumáticas. A Chicago Pneumatic sempre se focou em potentes produtos de confiança, com manutenção simples e de bom investimento. Trata-se de uma filosofia que nos tornou líderes do mercado de ferramentas pneumáticas nos Estados Unidos.

Leia mais em [www.cp.com](http://www.cp.com)

## Acerca das instruções de segurança e operação

O objectivo das instruções é dar-lhe conhecimentos sobre como utilizar o martelo pneumático de um modo eficiente e seguro. As instruções dão, também, conselhos e indicações sobre como efectuar manutenções regulares ao martelo pneumático.

Antes de utilizar o martelo pneumático pela primeira vez deve ler estas instruções cuidadosamente e compreendê-las na sua totalidade.



## Instruções de segurança

Para reduzir o risco de ferimentos graves ou morte para si ou para terceiros, leia estas instruções de segurança antes de utilizar a máquina.

Afixe estas instruções de segurança nos locais de trabalho, forneça cópias aos empregados, e certifique-se de que todos lêem as instruções de segurança antes de utilizar a máquina, ou antes de prestar assistência à máquina.

Cumpra todos os regulamentos de segurança.

## Palavras de avisos de segurança

As palavras de avisos de segurança Perigo, Atenção e Cuidado têm os seguintes significados:

<b>PERIGO</b>	Indica uma situação perigosa, a qual, se não for evitada, irá provocar a morte ou ferimentos graves.
<b>ATENÇÃO</b>	Indica uma situação perigosa, a qual, se não for evitada, poderá provocar a morte ou ferimentos graves.
<b>CUIDADO</b>	Indica uma situação perigosa, a qual, se não for evitada, poderá provocar ferimentos ligeiros ou moderados.

## Precauções e competências pessoais

A operação ou manutenção da máquina só pode ser feita por pessoal com as habilitações e a formação necessárias. Faça sempre uso do seu bom senso e da sua capacidade de avaliação das situações.

### Equipamento pessoal de protecção

Use sempre equipamento de protecção aprovado. Os operadores, bem como todas as outras pessoas que se encontrem na zona de trabalho, devem usar equipamento de protecção, incluindo, no mínimo:

- > Capacete protector
- > Protecção auricular
- > Protecção para os olhos, resistente ao impacto e com protecção lateral
- > Protecção respiratória, quando necessário
- > Luvas protectoras
- > Botas protectoras adequadas

- > Fato de macaco de trabalho adequado, ou vestuário semelhante (não roupas largas) que cubra os braços e as pernas.

### Drogas, álcool ou medicamentos

#### ▲ ATENÇÃO Drogas, álcool ou medicamentos

Drogas, álcool ou medicamentos podem reduzir a sua capacidade de avaliação e de concentração. Reacções lentas e avaliações incorrectas podem provocar acidentes graves ou morte.

- ▶ Nunca use a máquina quando estiver cansado ou se tiver tomado drogas, álcool ou medicamentos.
- ▶ Ninguém que tenha tomado drogas, álcool ou medicamentos pode operar a máquina.

## Instalação, precauções

#### ▲ PERIGO Chicotada das mangueiras de ar

Um mangueira de ar comprimido que se solte pode causar ferimentos pessoais ou morte.

- ▶ Certifique-se de que as mangueiras de ar comprimido e as ligações não estão danificadas.
- ▶ Certifique-se de que as mangueiras de ar comprimido e as ligações estão bem presas.
- ▶ Nunca tente desconectar uma mangueira de ar comprimido que esteja pressurizada. Primeiro, deve desligar o fornecimento de ar comprimido directamente no compressor e, em seguida, deve purgar o equipamento activando o dispositivo de activação e desactivação.
- ▶ Nunca aponte uma mangueira de ar comprimido a si próprio ou a outra pessoa. Para evitar o risco de ferimentos, nunca utilize ar comprimido para soprar, por exemplo, pó, sujidade, etc. das suas roupas.



### ▲ ATENÇÃO Ferramenta de inserção ejectada

Se o retentor da ferramenta na máquina não estiver na posição de travagem, a ferramenta inserida poderá ser ejectada com força, podendo provocar ferimentos pessoais.

- ▶ Nunca dê arranque ao equipamento enquanto estiver a mudar a ferramenta de inserção.
- ▶ Antes de mudar a ferramenta de inserção, pare a máquina, desligue o fornecimento de ar comprimido e purgue o equipamento activando o dispositivo de arranque/paragem.
- ▶ Nunca aponte a ferramenta inserida para si próprio, nem para outra pessoa.
- ▶ Antes de dar arranque à máquina, certifique-se de que a ferramenta de inserção está totalmente inserida, e que o retentor da ferramenta está na posição de travamento.
- ▶ Verifique a função de travamento, puxando para fora, com força, a ferramenta inserida.

### ▲ ATENÇÃO Deslocação / desencaixe da ferramenta de inserção

As dimensões incorrectas do encabadouro da ferramenta inserida podem provocar a perda da ferramenta inserida, ou fazer com que ela se desencaixe durante a operação da máquina. Há o risco de ferimentos graves, ou de esmagamento de mãos e dedos.

- ▶ Verifique se as dimensões e o comprimento do encabadouro da ferramenta de inserção são correctos para o que a máquina está preparada.
- ▶ Nunca use uma ferramenta de inserção sem uma gola.

## Operação, precauções

### ▲ PERIGO Perigo de explosão

Se uma ferramenta de inserção quente entrar em contacto com materiais explosivos ou com gases explosivos, poderá ocorrer uma explosão. Durante a operação com certos materiais, podem ocorrer fagulhas e dar-se uma ignição. As explosões podem provocar ferimentos graves ou morte.

- ▶ Nunca opere a máquina num ambiente explosivo.
- ▶ Nunca use a máquina ao pé de materiais inflamáveis, vapores inflamáveis ou poeiras.
- ▶ Certifique-se de que não existem fontes de gás ou explosivos ocultos.

### ▲ ATENÇÃO Movimentos inesperados

A ferramenta inserida está exposta a grandes esforços quando a máquina está em utilização. A ferramenta inserida pode partir-se devido a fadiga, depois de um certo tempo de uso. Se ferramenta inserida se partir ou se ficar agarrada, pode haver movimentos súbitos e inesperados, que podem provocar ferimentos. Para além disso, se perder o equilíbrio ou escorregar, isso poderá provocar ferimentos.

- ▶ Certifique-se de que mantém sempre uma posição estável, com os pés afastados à distância dos seus ombros, e mantendo o peso do seu corpo sempre em equilíbrio.
- ▶ Inspeccione sempre o equipamento antes de o usar. Nunca use o equipamento se suspeitar que este se encontra danificado.
- ▶ Certifique-se de que as pegadas estão limpas e sem massa consistente nem óleo.
- ▶ Mantenha os seus pés afastados da ferramenta inserida.
- ▶ Mantenha-se firmemente de pé e segure sempre a máquina com as duas mãos.
- ▶ Nunca arranque a máquina quando ela está deitada no chão.
- ▶ Nunca “ande a cavalo” na máquina com uma perna por cima da pega.
- ▶ Nunca bata na máquina nem lhe faça maus-tratos.
- ▶ Verifique regularmente se não há desgaste na ferramenta de inserção, e procure sinais de danos ou rachas visíveis.
- ▶ Preste atenção e olhe para aquilo que está a fazer.

**▲ ATENÇÃO Perigo de sílica**

A exposição à sílica cristalina (designada, por vezes, “poeira de sílica”) como resultado de partir, furar, martelar ou outras actividades que envolvam rocha, betão, asfalto ou outros materiais, pode provocar silicose (uma grave doença pulmonar), doenças relacionadas com a silicose, cancro ou morte. A sílica é dos principais componentes da rocha, areia e minérios. Para reduzir a exposição à sílica:

- ▶ Use controlos de engenharia adequados para reduzir a quantidade de sílica existente no ar, bem como a acumulação de poeira sobre equipamentos e superfícies. Exemplos de tais controlos incluem: sistemas de ventilação de saída e de recolha de poeira, pulverizações de água, e perfuração acompanhada de injeção de água. Certifique-se de que tais controlos estão correctamente instalados e em bom estado de manutenção.
- ▶ Quando os controlos de engenharia não forem adequados para manter a exposição abaixo de níveis permissíveis, então aplique, faça manutenção e use correctamente respiradores de partículas aprovados.
- ▶ Participe na monitorização do estado do ar, em exames médicos e em programas de formação oferecidos pelo seu empregador, e quando exigido por lei.
- ▶ Use vestuário lavável ou descartável no seu local de trabalho; tome um duche e vista roupas lavadas antes de deixar o local de trabalho, para assim reduzir a sua própria exposição à sílica, bem como a exposição de outras pessoas, carros, casas e outras áreas.
- ▶ Nunca coma, beba ou use produtos de tabaco em áreas onde há poeiras contendo sílica cristalina.
- ▶ Lave as mãos e a cara antes de comer, beber ou usar produtos de tabaco fora da área de exposição.
- ▶ Colabore com o seu empregador para reduzir a exposição à sílica no seu local de trabalho.

**▲ ATENÇÃO Perigo de pó**

Alguns pós, vapores ou outros materiais em suspensão no ar que são criados durante a utilização da máquina, podem conter substâncias químicas que, de acordo com o Estado da Califórnia, provocam cancro e defeitos congénitos ou outros danos reprodutivos. Alguns exemplos dessas substâncias químicas são:

- > A sílica cristalina, o cimento e outros produtos de alvenaria.
- > Arsénico e crómio da borracha quimicamente tratada.
- > Chumbo de tintas com base de chumbo.
- ▶ Para reduzir a sua exposição a estas substâncias químicas, trabalhe numa área bem ventilada e use equipamento pessoal de protecção do tipo aprovado, tal como máscaras anti-poeira especificamente concebidas para filtrar partículas microscópicas.

**▲ ATENÇÃO Projécteis**

Durante a operação da máquina, as lascas ou quaisquer outras partículas do material de trabalho podem tornar-se projécteis e provocar ferimentos pessoais, atingindo o operador ou quaisquer outras pessoas.

- ▶ Use equipamento pessoal de protecção, incluindo protecção para os olhos que seja resistente ao impacto e que tenha protecção lateral.
- ▶ Certifique-se de que não há pessoas não autorizadas na zona de trabalho.
- ▶ Mantenha o local de trabalho livre de objectos estranhos.



### ▲ **ATENÇÃO** Perigo de vibração

A utilização normal e correcta da máquina expõe o operador a vibrações. A exposição regular e frequente à vibração pode provocar, contribuir para ou agravar lesões ou doenças nos dedos, mãos, pulsos, braços, ombros e/ou outras partes do corpo do operador, incluindo lesões ou doenças debilitantes e/ou permanentes que se podem desenvolver gradualmente ao longo de um período de semanas, meses ou anos. Tais lesões ou doenças podem incluir danos aos sistemas circulatório e nervoso, lesões nas articulações, e possíveis danos noutras estruturas do corpo.

Se sentir entorpecimento, formigueiros, dores, descoordenação, falta de força nas mãos, embranquecimento da pele, ou outros sintomas a qualquer altura quando utilizar a máquina, ou quando não a estiver a utilizar, não deve retomar a utilização da mesma e deve consultar um médico. A utilização continuada da máquina após a ocorrência de tais sintomas pode aumentar o risco do agravamento e/ou permanência dos mesmos.

Os seguintes passos podem ajudar a reduzir a exposição do operador às vibrações:

- ▶ Deixe a ferramenta fazer o trabalho. Faça o mínimo de força de aperto com as mãos: apenas o suficiente para garantir um bom controlo e a operação em segurança.
- ▶ Quando o mecanismo de percussão está activado, a única parte do seu corpo que deve estar em contacto com a máquina são as suas mãos sobre as pegas. Evite qualquer outro contacto, como por exemplo, apoiar qualquer parte do corpo contra a máquina, ou inclinar-se sobre a máquina para tentar aumentar a força de avanço. É também importante que não tenha o dispositivo de arranque e paragem activado enquanto tirar a ferramenta da superfície de trabalho partida.
- ▶ Certifique-se de que a ferramenta inserida está em bom estado de manutenção (e afiada, se for uma ferramenta de corte), não está desgastada, e é do tamanho correcto. Quando as ferramentas de inserção não estão em bom estado de manutenção, ou estão desgastadas, ou não possuem o tamanho correcto, então irá precisar de mais tempo para completar a tarefa (e um maior período de exposição a vibrações), o que pode originar ou contribuir para níveis mais elevados de exposição a vibrações.
- ▶ Pare imediatamente de trabalhar se a máquina começar de repente a vibrar fortemente. Antes de voltar ao trabalho, certifique-se de que encontrou e corrigiu a causa do aumento de vibrações.

- ▶ Nunca agarre, pegue, nem toque na ferramenta inserida enquanto a máquina estiver a trabalhar.
- ▶ Participe na vigilância ou monitorização do estado de saúde, em exames médicos e em programas de formação oferecidos pelo seu empregador, e quando exigido por lei.

Consulte a secção “Declaração de ruído e vibração”, os valores de vibração declarados e a “Informação de vibração adicional” referentes à máquina. Estas informações estão no final destas instruções de Segurança e Operação.

- ◆ Siga as recomendações em termos de pressão de ar ao operar o equipamento. Tanto uma pressão de ar excessiva como insuficiente têm o potencial de resultar em elevados níveis de vibração.

### ▲ **PERIGO** Perigo eléctrico

A máquina não tem isolamento eléctrico. Se a máquina entrar em contacto com fontes de electricidade, isso pode provocar ferimentos graves ou morte.

- ▶ Nunca opere a máquina ao pé de qualquer cabo eléctrico, ou de outra fonte de electricidade.
- ▶ Certifique-se de que não existem cabos ocultos, ou quaisquer outras fontes de electricidade, na área de trabalho.

### ▲ **ATENÇÃO** Perigo de objectos ocultos

Durante a operação, os cabos e tubos ocultos constituem um perigo que pode provocar ferimentos graves.

- ▶ Verifique a composição do material, antes de começar a usar a máquina.
- ▶ Tenha cuidado com cabos e tubos ocultos, por exemplo, de electricidade, telefone, água, gás, esgotos, etc.
- ▶ Se lhe parecer que a ferramenta inserida atingiu um objecto oculto, desligue a máquina imediatamente.
- ▶ Antes de voltar ao trabalho, certifique-se de que não há qualquer perigo.



### **▲ ATENÇÃO Arranque involuntário**

O arranque involuntário da máquina pode provocar ferimentos.

- ▶ Mantenha as mãos longe do dispositivo de arranque e paragem até estar pronto para dar arranque à máquina.
- ▶ Aprenda a como desligar a máquina em caso de emergência.
- ▶ Solte, imediatamente, o dispositivo de arranque/paragem em todos os casos de interrupção de fornecimento de energia.
- ▶ Sempre que aplicar/retirar a ferramenta de inserção, desligue o fornecimento de ar e desligue o equipamento da corrente. Purgue o equipamento pressionando o dispositivo de arranque e paragem.

### **▲ ATENÇÃO Perigo de ruído**

Os níveis elevados de som podem provocar a perda permanente de audição.

- ▶ Use protecção auditiva de acordo com os regulamentos sobre a saúde e segurança no trabalho.

## **Armazenamento, precauções**

---

- ◆ Guarde a máquina e as ferramentas num local seguro, fora do alcance de crianças e trancado.

## **Manutenção, precauções**

---

### **▲ ATENÇÃO Modificação do equipamento**

Qualquer modificação da máquina poderá resultar em ferimentos corporais para si e outros.

- ▶ Nunca modificar a máquina.
- ▶ Utilizar sempre peças e acessórios originais aprovados pela Chicago Pneumatic.

### **▲ CUIDADO Ferramenta de inserção quente**

A ponta da ferramenta de inserção fica quente quando está a ser usada. Se lhe tocar, pode sofrer queimaduras.

- ▶ Nunca toque numa ferramenta de inserção quente.
- ▶ Espere até que a ferramenta de inserção tenha arrefecido, antes de fazer tarefas de manutenção.

## Visão geral

Para reduzir o risco de ferimentos graves ou morte para si ou para terceiros, antes de usar a máquina leia a secção das Instruções de Segurança, que está nas páginas anteriores deste manual.

## Concepção e função

O martelo pneumático de mão CP 0111 foi concebido para trabalhos de construção leves ou médios e para trabalhos de manutenção em instalações industriais.

O CP 0111 CHLA e o CP 0111 CHIT têm uma pega em D e podem ser utilizados tanto na horizontal como na vertical.

Não é permitido outro tipo de uso.

Para escolher a ferramenta correcta consulte a lista de peças sobressalentes.

## Escolher o martelo pneumático correcto para uma tarefa

É importante escolher o tamanho correcto do martelo pneumático para o trabalho a ser feito.

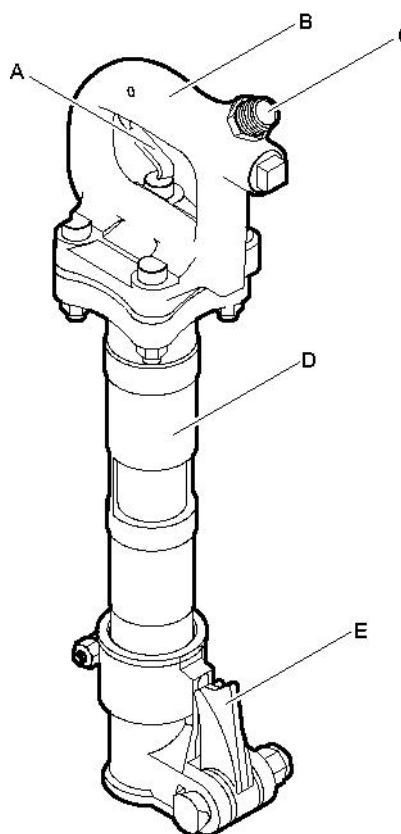
Um martelo pneumático que seja demasiado pequeno significa que o trabalho irá demorar mais a ser feito.

Um martelo que seja demasiado grande e com frequente necessidade de reposicionamento, é desnecessariamente fatigante para o operador.

Uma regra simples para escolher o tamanho correcto do martelo pneumático é que uma parte do material demolido de tamanho normal possa ser removida do local de trabalho no espaço de tempo de 10-20 segundos.

- > Se demorar menos de 10 segundos, deverá ser seleccionado um martelo pneumático mais pequeno.
- > Se demorar mais de 20 segundos, deverá ser seleccionado um martelo pneumático maior.

## Peças principais



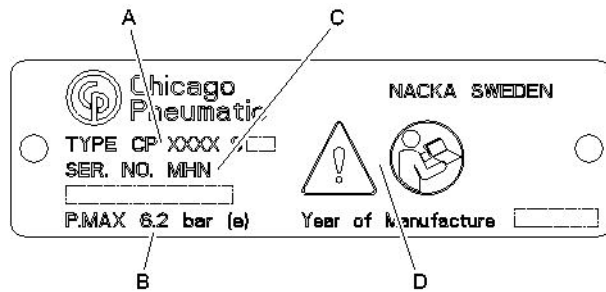
- A. Gatilho
- B. Pega
- C. Entrada de ar
- D. Cilindro
- E. Trinco (retentor da ferramenta)

## Sinais e autocolantes

A máquina está equipada com sinais e autocolantes que mostram informação importante sobre a segurança pessoal do operador e a manutenção da máquina. Os sinais e autocolantes devem estar sempre em bom estado e ser fáceis de ler. Pode encomendar novos sinais e autocolantes utilizando a lista de peças sobressalentes.



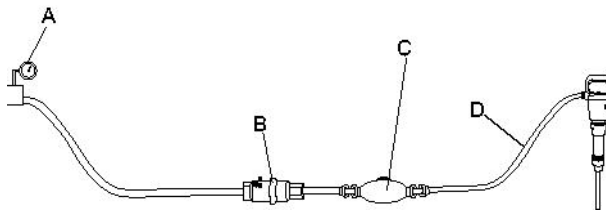
## Placa de dados



- A. Tipo de máquina
- B. Máximo de pressão de ar comprimido permitida
- C. Número de série
- D. O símbolo de atenção, juntamente com o livro de símbolos, significa que o utilizador tem de ler as instruções de segurança e operação antes de o equipamento ser utilizado pela primeira vez.

## Instalação

### Mangueiras e ligações



- A. Fonte de ar comprimido
  - B. Separador de água (opcional)
  - C. Lubrificador (opcional)
  - D. Mangueira de ar comprimido entre o lubrificador e o equipamento com um máx. de 10 feet (3 metros).
- ♦ Verifique que está a utilizar a pressão de operação correcta e recomendada, 87 psig (6 bar (e)).
  - ♦ A máxima pressão de ar permitida, 90 psig (6,2 bar (e)), não deve ser excedida.
  - ♦ Sobre quaisquer impurezas da mangueira de ar comprimido antes de a ligar ao equipamento.

- ♦ Seleccione a dimensão e comprimentos correctos para a mangueira de ar comprimido. No caso de mangueiras até 100 feet (30 metros) de comprimento, deve utilizar uma mangueira com um diâmetro interior mínimo de 3/4 in. (19 mm). Se o comprimento da mangueira for de 100 a 300 feet (30 a 90 m), deve utilizar uma mangueira com um diâmetro interior mínimo de 1 in. (25 mm).

## Métodos para evitar o congelamento

Poderá ocorrer a formação de gelo no silenciador quando a temperatura do ar for de 32-50°F (0-10°C) e a humidade se encontrar elevada.

A máquina está concebida para evitar a formação de gelo no silenciador. Apesar desta situação, e sob condições extremas, poderá haver a formação de gelo no silenciador.

Poderão ser efectuadas as seguintes acções no sentido de evitar este risco:

- ♦ Utilize um óleo que contenha agentes anti-congelação.
- ♦ Utilize um separador de água.

## Conectar o separador de água

O comprimento da mangueira de ar entre o compressor e o separador de água tem de permitir que o vapor de água arrefeça e condense na mangueira antes de atingir o separador de água.

Se a temperatura ambiente for abaixo dos 32°F (0°C), a mangueira tem de ser suficientemente curta para prevenir que a água congele antes de atingir o separador de água.

## Lubrificação

### Lubrificação

O lubrificante é importante para o funcionamento da máquina e tem um grande impacto na vida útil do equipamento. No sentido de fornecer o correcto volume de óleo, o lubrificador deverá estar conectado à mangueira de ar. É recomendada a utilização do lubrificador da Chicago Pneumatic. Para garantir uma boa lubrificação, o comprimento da mangueira de ar entre o lubrificador e o martelo pneumático não deverá exceder os 10 feet (3 m).





Demasiado lubrificante pode causar um problemas de arranque, baixa potência ou desempenho irregular.

Lubrificante recomendado: Óleo com uma viscosidade de 100-150 SUS a 100°F (ISO VG 22-32).

É recomendado que o óleo contenha um inibidor de ferrugem.

## Ferramenta de inserção

### Escolher a ferramenta de inserção correcta

Escolher a ferramenta de inserção correcta é um pré-requisito para o funcionamento adequado da máquina. É importante escolher ferramentas de inserção de alta qualidade, para evitar danos desnecessários à máquina.

**ATENÇÃO!** A máquina pode ser destruída se usar uma ferramenta de inserção incorrecta.

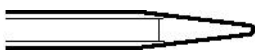
As ferramentas de inserção recomendadas estão listadas na lista de peças sobressalentes da máquina.

### Escopro estreito



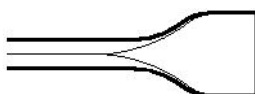
O escopro estreito é usado para trabalhos de demolição e corte, em betão e noutros tipos de material duro.

### Escopro de bico



O escopro de bico só é usado para fazer furos em betão e noutros tipos de chão duro.

### Escopro de lâmina larga

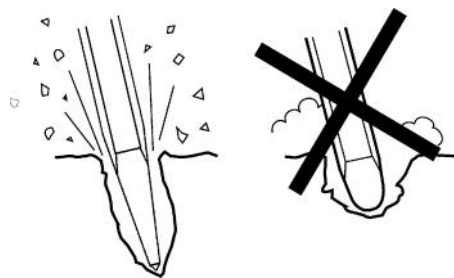


O escopro de lâmina larga é usado em material mole, como asfalto e terra congelada.

### ▲ ATENÇÃO Perigo de vibração

Se usar ferramentas inseridas que não cumpram os critérios mencionados abaixo, irá precisar de mais tempo para completar o trabalho, e poderá provocar níveis mais elevados de exposição a vibrações. Uma ferramenta desgastada irá também aumentar o tempo de trabalho.

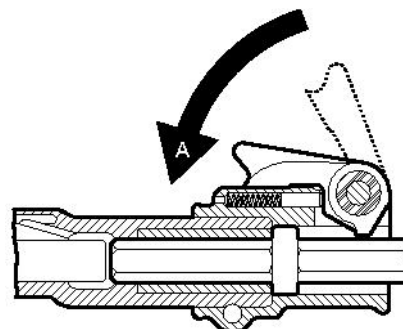
- ▶ Certifique-se de que a ferramenta inserida está em bom estado de manutenção, não está desgastada, e é do tamanho adequado.
- ▶ Use sempre uma ferramenta afiada, para trabalhar de forma eficiente.



### Encaixar e remover a ferramenta de inserção

Sempre que encaixar/remover a ferramenta de inserção, siga as seguintes instruções:

1. Para evitar um arranque acidental: desligue o fornecimento de ar e desligue o equipamento da corrente. Purgue o equipamento pressionando o dispositivo de arranque e paragem.
2. Antes de inserir a ferramenta, lubrifique o encabadouro da ferramenta com massa.
3. Encaixe/remova a ferramenta de inserção.
- 4.



Feche o retentor da ferramenta (posição A) e verifique a função de travamento, puxando para fora, com força, a ferramenta inserida.

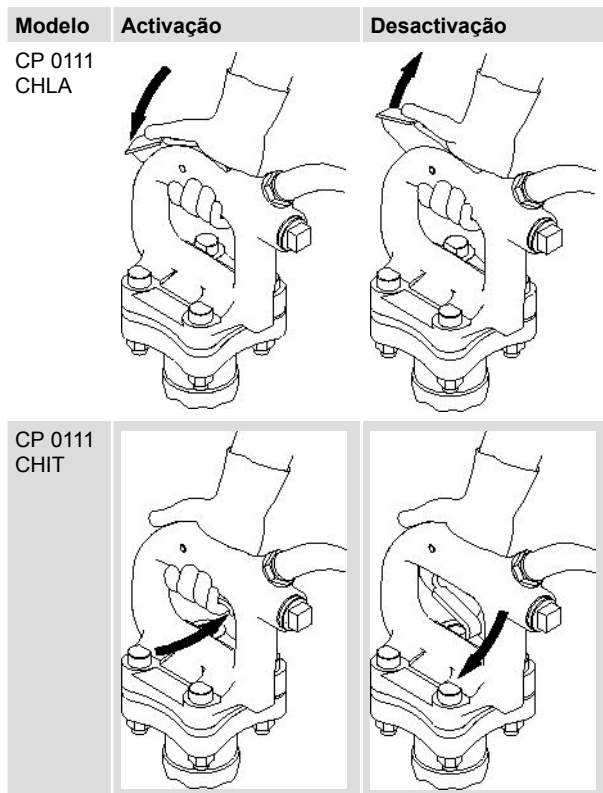
## Operação

### ▲ ATENÇÃO Arranque involuntário

O arranque involuntário da máquina pode causar ferimentos.

- ▶ Mantenha as mãos longe do dispositivo de arranque e paragem até estar pronto para arrancar com a máquina.
- ▶ Aprenda como desligar a máquina em caso de uma emergência.
- ▶ Solte, imediatamente, o dispositivo de arranque/paragem em todos os casos de interrupção de fornecimento de energia.

## Arranque e paragem



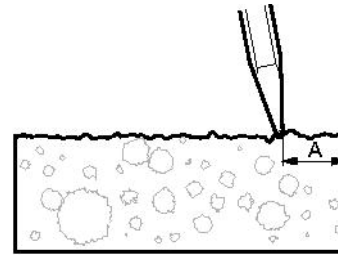
- ◆ Arranque a máquina apertando o dispositivo de activação e desactivação e mantendo firme a pega.
- ◆ Pare o equipamento, soltando o gatilho. O dispositivo de activação e desactivação regressa automaticamente à posição de desligado.

## Funcionamento

### Iniciar um corte

- ◆ Mantenha-se em pé, numa posição estável, e com os pés bem longe da ferramenta inserida.
- ◆ Antes de começar, empurre a máquina contra a superfície de trabalho.
- ◆ A velocidade de funcionamento da máquina é controlada por meio de um gatilho.
- ◆ Comece a martelar a uma determinada distância do rebordo, de maneira a que a máquina seja capaz de demolir o material sem efeito de alavanca.

- ◆ Nunca faça a demolição de peças demasiado grandes. Ajuste a distância de demolição (A) de modo a que a ferramenta de trabalho não fique presa.



### Demolir

- ◆ Deixe a máquina fazer o seu trabalho; não empurre com muita força.
- ◆ Evite trabalhar em materiais extremamente duros, como por exemplo, granito ou ferro para betão armado, que poderão causar vibrações substanciais.
- ◆ Tem obrigatoriamente que ser evitado qualquer funcionamento em marcha lenta, sem a ferramenta de inserção, ou com a máquina levantada.
- ◆ Quando a máquina está levantada, não pode nunca ser activado o dispositivo de arranque e paragem.
- ◆ Verifique regularmente que a máquina se encontra bem lubrificada.

## Ao fazer uma pausa

- ◆ Durante todas as pausas, terá de pôr o equipamento numa posição em que não haja risco de arranque accidental.
- ◆ Na eventualidade de um intervalo de maior duração ou quando sair do local de trabalho: desligue o fornecimento de ar comprimido e, em seguida, purgue o equipamento activando o dispositivo de arranque/paragem.

## Manutenção

Fazer manutenção regular à máquina é essencial para que a máquina possa continuar a ser utilizada com eficiência e em segurança. Siga cuidadosamente as instruções de funcionamento.



- ◆ Utilize só peças autorizadas. Quaisquer danos ou mau funcionamento causados pela utilização de peças não autorizadas não estão cobertos pela Garantia ou pela Responsabilidade Legal do Produto.
- ◆ Quando limpar peças mecânicas com solvente, cumpra os regulamentos apropriados de saúde e segurança, e certifique-se de que há ventilação suficiente.
- ◆ Para fazer uma grande revisão/reparação à máquina, contacte a sua oficina autorizada mais próxima.

## Diariamente

Em máquinas pneumáticas, antes de efectuar qualquer tarefa de manutenção ou de mudança da ferramenta de inserção, desligue sempre o fornecimento de ar e purgue o equipamento, pressionando para isso o dispositivo de activação e desactivação e, em seguida, desligue a mangueira hidráulica do equipamento.

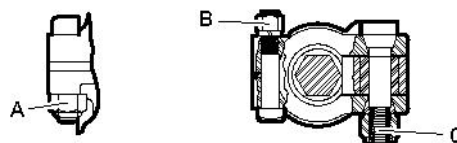
- ◆ Limpe e inspecione a máquina diariamente.
- ◆ Verifique o desgaste e o funcionamento do retentor da ferramenta.
- ◆ Faça uma inspecção geral, procurando fugas e danos.
- ◆ Verifique se o bocal de entrada de ar está bem apertado, e se o acoplamento do gancho não está danificado.
- ◆ Por forma a que a máquina mantenha os valores de vibração especificados, verifique sempre o seguinte:  
Um espaçamento demasiado grande entre o encabadouro da ferramenta de inserção e o mancal do escopro irá gerar um aumento das vibrações. Para evitar a exposição a vibrações excessiva, verifique diariamente o desgaste do mancal do escopro.
- ◆ Mude imediatamente quaisquer peças danificadas.
- ◆ Substitua atempadamente os componentes danificados e gastos.
- ◆ Certifique-se de que todo o equipamento anexo e relacionado, como as mangueiras, os separadores de água e os lubrificadores, recebem a manutenção adequada.

## Manutenção periódica

Após cada período de funcionamento de aproximadamente 150 horas de impacto, ou duas vezes por ano, o equipamento tem de ser desmontado, e todas as peças limpas e verificadas. Esta tarefa deve ser efectuada por pessoal autorizado, com a devida formação para a efectuar.

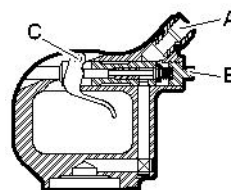
## Instruções de montagem

### CP 0111 geral



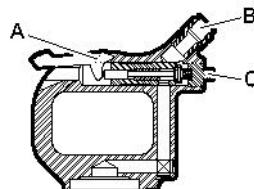
- A. Binário: 115–125 lbf.ft (156–169 Nm)
- B. Binário: 80–85 lbf.ft (109–115 Nm)
- C. Binário: 65–70 lbf.ft (88–95 Nm)

### CP 0111 CHIT



- A. Binário: 85–95 lbf.ft (115–128 Nm), use Loctite® 243™
- B. Binário: 85–95 lbf.ft (115–128 Nm)
- C. A sede é martelada com um martelo de bola para reter o pino.

### CP 0111 CHLA



- A. A sede é martelada com um martelo de bola para reter o pino.
- B. Binário: 85–95 lbf.ft (115–128 Nm), use Loctite® 243™
- C. Binário: 85–95 lbf.ft (115–128 Nm)



## Diagnóstico e reparação de avarias

Caso o martelo pneumático não arranque, tenha pouca potência ou um desempenho irregular, verifique os seguintes pontos.

- ◆ Verifique se a ferramenta de inserção que está a ser utilizada possui a correcta dimensão em termos de encabadouro.
- ◆ Verifique se o martelo pneumático tem a quantidade correcta de lubrificante. Demasiada lubrificação poderá causar problemas de arranque, pouca potência ou um desempenho irregular.
- ◆ Certifique-se de que o sistema de ar comprimido fornece ao equipamento uma pressão de ar suficiente para alcançar a potência total.
- ◆ Certifique-se de que o diâmetro e o comprimento da mangueira de ar estão de acordo com as recomendações. Consulte “Instalação”.
- ◆ Caso exista risco de congelamento, certifique-se de que as portas de escape do equipamento não se encontram bloqueadas.
- ◆ Se o funcionamento do equipamento ainda não for satisfatório após este procedimento, contacte um agente autorizado.

## Armazenamento

- > Limpe o equipamento de forma apropriada antes do respectivo armazenamento.
- > Despeje cerca de 1/2 oz (5 cl) de óleo directamente para dentro do bocal de inserção de ar, conecte o equipamento ao fornecimento de ar comprimido e dê arranque à máquina por alguns segundos.
- > Armazene sempre a máquina num lugar seco.

## Abate

Uma máquina abatida deve ser tratada e eliminada de maneira a que maior parte possível do seu material possa ser reciclada, e que qualquer influência negativa sobre o meio-ambiente seja mantida ao nível mais baixo possível.



## Dados técnicos

### Dados da máquina

Modelo	Dimensão do encabadoiro pol. (mm)	Número de peça	Peso lb (kg)	Comprimento pol. (mm)	Frequência do impacto (Hz)	Consumo de ar pé <sup>3</sup> /min (l/s)
CP 0111 CHLA	Hexagon 1x4¼ (25x108)	8900 0001 20	29.9 (13)	22½ (572)	29-32	35-45 (17-21)
CP 0111 CHIT	Hexagon 7⁄8x3¼ (22x82,5)	8900 0001 41	29.9 (13)	22 13⁄16 (580)	29-32	35-45 (17-21)

**ITALIANO****Indice**

<b>Introduzione</b> .....	75
<b>Informazioni sulle istruzioni per la sicurezza e per l'uso</b> .....	75
<b>Norme di sicurezza</b> .....	76
Terminologia di sicurezza .....	76
Precauzioni e qualifiche personali .....	76
Installazione, precauzioni .....	76
Funzionamento, precauzioni .....	77
Conservazione, precauzioni .....	80
Manutenzione, precauzioni .....	80
<b>Avvertenze</b> .....	81
Modello e funzioni .....	81
Scelta del corretto demolitore pneumatico per una data mansione .....	81
Parti principali .....	81
Targhette ed etichette adesive .....	81
<b>Installazione</b> .....	82
Tubi e collegamenti .....	82
Misure antigelo .....	82
Collegamento del separatore di condensa .....	82
Lubrificazione .....	82
Utensile di inserimento .....	83
<b>Funzionamento</b> .....	84
Avviamento e arresto .....	84
Condizioni di esercizio .....	84
Durante le pause della lavorazione .....	85
<b>Manutenzione</b> .....	85
Giornaliera .....	85
Manutenzione periodica .....	85
Istruzioni per il montaggio .....	85
<b>Ricerca dei guasti</b> .....	86
<b>Immagazzinamento</b> .....	86
<b>Smaltimento</b> .....	86
<b>Dati tecnici</b> .....	87
Dati della macchina .....	87



## Introduzione

Grazie per aver scelto Chicago Pneumatic come fornitore di utensili e servizi.

Chicago Pneumatic è una società internazionale, che offre una vasta gamma di utensili pneumatici e idraulici, quali demolitori, perforatrici, martelli scalpellatori, escavatori per argilla, picconatori e dissodatori, scalpellatori, pompe e molto altro ancora.

Nel 2001, Chicago Pneumatic Tool Company ha celebrato il proprio centenario, in quanto pioniere e leader del mercato nell'industria degli utensili pneumatici. Chicago Pneumatic si è sempre concentrata nella fornitura di prodotti potenti e affidabili, di facile manutenzione, che danno valore al denaro del cliente. Si tratta di una filosofia che ha fatto di noi i leader nel mercato degli utensili pneumatici negli USA.

Per ulteriori informazioni, consultare [www.cp.com](http://www.cp.com)

## Informazioni sulle istruzioni per la sicurezza e per l'uso

Scopo di queste istruzioni è fornire le conoscenze per un uso sicuro ed efficiente del demolitore pneumatico. Tali istruzioni offriranno inoltre consigli e indicazioni su come eseguire la normale manutenzione del demolitore pneumatico.

Quando ci si accinge a utilizzare il demolitore pneumatico per la prima volta, leggere queste istruzioni attentamente e accertarsi di averle comprese perfettamente.



## Norme di sicurezza

Per ridurre il rischio di lesioni gravi o morte dell'operatore o di altre persone, leggere queste istruzioni per la sicurezza prima di accingersi a utilizzare la macchina.

Affiggere queste istruzioni per la sicurezza nelle sedi di lavoro, fornirne copia agli addetti e assicurarsi che tutti le leggano prima di procedere all'uso o alla manutenzione della macchina.

Attenersi a tutte le norme di sicurezza.

## Terminologia di sicurezza

Le parole Pericolo, Attenzione e Prudenza hanno i seguenti significati:

<b>PERICOLO</b>	Indica una situazione di pericolo che, qualora non sia evitata, può provocare gravi lesioni personali o morte.
<b>ATTENZIONE</b>	Indica una situazione di pericolo che, qualora non sia evitata, può provocare gravi lesioni personali o morte.
<b>PRUDENZA</b>	Indica una situazione di pericolo che, qualora non sia evitata, può provocare lievi lesioni personali o di modesta entità.

## Precauzioni e qualifiche personali

L'uso e la manutenzione della macchina sono riservati esclusivamente a personale addestrato e qualificato. Utilizzare sempre le regole del buon senso.

### Dispositivi di protezione personale

Utilizzare sempre dispositivi di protezione approvati. Gli operatori e tutte le altre persone presenti nella zona di lavoro devono indossare i dispositivi di protezione, che comprenderanno almeno:

- > Elmetto protettivo
- > Protezione acustica
- > occhiali di sicurezza resistenti agli urti con protezioni laterali
- > protezione delle vie respiratorie, se necessario
- > guanti protettivi
- > calzature protettive adeguate

- > Camice da lavoro idoneo o abbigliamento simile (non largo) che copra braccia e gambe.

### Droghe, sostanze alcoliche o farmaci

#### ▲ **ATTENZIONE** Droghe, sostanze alcoliche o farmaci

Droghe, sostanze alcoliche o farmaci possono compromettere il proprio giudizio e la capacità di concentrazione. Scarsa reattività e valutazioni imprecise possono causare gravi incidenti o morte.

- ▶ Non utilizzare mai la macchina qualora si sia estremamente stanchi o sotto l'effetto di droghe, sostanze alcoliche o farmaci.
- ▶ Persone sotto l'effetto di droghe, sostanze alcoliche o farmaci non possono utilizzare la macchina.

## Installazione, precauzioni

### ▲ **PERICOLO** Colpo di frusta del tubo dell'aria

Un tubo ad aria compressa che si scollegi può avere dei movimenti sferzanti e causare lesioni personali o la morte.

- ▶ Verificare che il tubo flessibile e i collegamenti per l'aria compressa non siano danneggiati.
- ▶ Verificare che tutti i collegamenti per l'aria compressa siano corretti.
- ▶ non tentare mai di scollegare un tubo ad aria compressa quando è pressurizzato; Interrompere innanzi tutto l'aria compressa sul compressore e spurgare la macchina attivando il dispositivo di avviamento e arresto.
- ▶ Non orientare il tubo flessibile per aria compressa verso se stessi o altri. Per evitare il rischio di lesioni, non utilizzare mai l'aria compressa per eliminare ad es. polvere, sporco ecc. dagli abiti.





### ▲ **ATTENZIONE**    **Espulsione dell'utensile di inserimento**

Qualora il trattenitore dell'utensile sulla macchina non sia bloccato, l'utensile inserito può essere espulso con forza provocando lesioni personali.

- ▶ Non avviare mai la macchina prima di sostituire l'utensile di inserimento.
- ▶ Prima di cambiare l'utensile di inserimento, spegnere sempre la macchina, disinserire l'alimentazione dell'aria compressa e spurgare la macchina premendo il dispositivo di avviamento e arresto.
- ▶ Mai orientare l'utensile inserito verso se stessi o un'altra persona.
- ▶ Prima di avviare la macchina, accertarsi che l'utensile di inserimento sia inserito a fondo e che il relativo dispositivo di bloccaggio sia saldamente bloccato.
- ▶ Controllare il funzionamento del blocco spingendo all'esterno l'utensile inserito.

### ▲ **ATTENZIONE**    **Movimento/slittamento dell'utensile di inserimento**

Dimensioni errate della bussola dell'utensile inserito possono causare perdita o slittamento dell'utensile durante il funzionamento. Rischio di lesioni gravi o di schiacciamento di mani e dita.

- ▶ Verificare che l'utensile di inserimento abbia una bussola che presenti la lunghezza e le dimensioni corrette per la macchina per cui è prevista.
- ▶ Non utilizzare mai un utensile di inserimento senza collare.

## **Funzionamento, precauzioni**

### ▲ **PERICOLO**    **Rischio di esplosione**

Qualora l'utensile di inserimento venga a contatto con sostanze o gas esplosivi vi è il rischio di esplosioni. Durante l'esercizio con determinati materiali, possono verificarsi scintille e combustioni. Eventuali esplosioni causerebbero lesioni gravi o morte.

- ▶ Non utilizzare la macchina in ambienti esplosivi.
- ▶ Non utilizzare mai la macchina in prossimità di materiali, vapori e polveri infiammabili.
- ▶ Accertarsi che non siano presenti fonti di gas o esplosivi non rilevati.

### ▲ **ATTENZIONE**    **Movimenti inattesi**

L'utensile inserito è soggetto a notevoli sollecitazioni durante l'uso della macchina. Dopo un certo periodo di utilizzo l'utensile inserito può rompersi in seguito all'usura. In caso di rottura o di blocco dell'utensile inserito, potrebbe verificarsi un movimento improvviso o inaspettato con possibile rischio di lesioni. Perdite di equilibrio o scivolamenti, inoltre, possono provocare gravi lesioni personali.

- ▶ Operare sempre in posizione stabile, con i piedi allargati parallelamente alle spalle e con il peso del corpo ben bilanciato.
- ▶ Ispezionare sempre l'attrezzatura prima dell'uso. Non utilizzare l'attrezzatura se si sospetta che sia danneggiata.
- ▶ Accertarsi che le impugnature siano pulite e prive di olio e grasso.
- ▶ Tenere lontani i piedi dall'utensile inserito.
- ▶ Afferrare saldamente la macchina con entrambe le mani.
- ▶ Non avviare mai la macchina quando questa si trova coricata al suolo.
- ▶ Non "arrampicarsi" mai sulla macchina appoggiando un piede sull'impugnatura.
- ▶ Non colpire né utilizzare impropriamente l'attrezzatura.
- ▶ Verificare regolarmente che l'utensile di inserimento non sia usurato e controllarlo in caso di rischio di danni o rotture evidenti.
- ▶ Prestare sempre la massima attenzione durante il lavoro.

### **▲ ATTENZIONE    Rischio correlato alla silice**

L'esposizione alla silice cristallina (denominata anche "polvere di silice"), successiva a frantumazione, perforazione, demolizione o altre attività con roccia, cemento, asfalto o altri materiali, può causare silicosi (una grave malattia polmonare) o malattie ad essa correlate, cancro o morte. La silice è uno dei principali componenti di roccia, sabbia e minerali grezzi. Per ridurre l'esposizione alla silice:

- ▶ utilizzare controlli strutturali adeguati per ridurre la quantità di silice nell'aria e l'accumulo di polvere sull'attrezzatura e le superfici. Alcuni esempi di tali controlli sono: sistemi di ventilazione d'estrazione e di raccolta delle polveri, spruzzi d'acqua e perforazione a umido. Accertarsi che questi controlli siano adeguatamente installati e sottoposti a manutenzione.
- ▶ Indossare, conservare e utilizzare in modo corretto respiratori approvati per particolati quando i soli controlli strutturali non soddisfano la riduzione dell'esposizione al di sotto dei livelli consentiti.
- ▶ Partecipare ai monitoraggi sulla qualità dell'aria, agli esami medici e ai programmi di formazione resi disponibili dal proprio datore di lavoro e quando richiesto dalla legge.
- ▶ Indossare indumenti protettivi lavabili o monouso sul luogo di lavoro; fare la doccia e indossare indumenti puliti prima di lasciare il luogo di lavoro per ridurre l'esposizione alla silice e quella di altre persone, automobili, abitazioni e altre aree.
- ▶ Non mangiare, bere né fare uso di prodotti a base di tabacco in presenza di polveri contenenti silice cristallina.
- ▶ Lavare le mani e la faccia prima di mangiare, bere o fare uso di prodotti a base di tabacco al di fuori dell'area di esposizione.
- ▶ Collaborare con il proprio datore di lavoro al fine di ridurre l'esposizione alla silice sul luogo di lavoro.

### **▲ ATTENZIONE    Polveri pericolose**

Alcune polveri, fumi o altri materiali trasportati dall'aria, prodotti durante l'uso della macchina, possono contenere sostanze chimiche note presso lo Stato della California come cancerogene e portatrici di difetti neonatali o altri danni correlati alla riproduzione. Tra queste sostanze chimiche vi sono, a titolo esemplificativo:

- > silice cristallina, cemento e altri prodotti per l'edilizia.
- > Arsenico e cromo derivati da gomma trattata chimicamente.
- > Vernici a base di piombo.
- ▶ Per ridurre la propria esposizione a tali sostanze chimiche, lavorare in un'area ben ventilata, avvalendosi di dispositivi di protezione omologati, quali mascherine antipolvere appositamente realizzate per filtrare le particelle microscopiche.

### **▲ ATTENZIONE    Schegge**

Durante il funzionamento, schegge o altre particelle di materiale di lavoro possono trasformarsi in proiettili e causare lesioni fisiche, colpendo l'operatore o altre persone.

- ▶ Utilizzare dispositivi di protezione individuali omologati, ad esempio occhiali di sicurezza resistenti agli urti con protezioni laterali.
- ▶ Assicurarci che persone non autorizzate non si introducano nella zona di lavoro.
- ▶ Mantenere il luogo di lavoro privo di corpi estranei.



### **▲ ATTENZIONE**    **Rischi correlati alle vibrazioni**

L'uso normale e corretto della macchina espone l'operatore a vibrazioni. Un'esposizione regolare e frequente alle vibrazioni può causare o aggravare, anche solo in parte, lesioni o disturbi a dita, mani, polsi, braccia, spalle e/o altre parti del corpo dell'operatore, comprese lesioni o disturbi debilitanti e/o permanenti, che potrebbero svilupparsi gradualmente, nel corso di settimane, mesi o perfino anni. Tali lesioni o disturbi possono provocare danni al sistema circolatorio, sistema nervoso, articolazioni e anche ad altre parti dell'organismo.

Se in un qualunque momento dovessero manifestarsi sintomi quali intorpidimento, formicolio, indebolimento della presa, dolore, pallore o altro, che si stia utilizzando la macchina o meno, non riprenderne l'uso e rivolgersi a un medico. La prosecuzione nell'utilizzo della macchina dopo il verificarsi di uno di tali sintomi aumenta il rischio che esso diventi più grave e/o permanente.

Per ridurre l'esposizione dell'operatore alle vibrazioni, adottare le seguenti precauzioni:

- ▶ lasciare che sia l'utensile a eseguire il lavoro. Utilizzare una presa minima sufficiente al controllo corretto e al funzionamento sicuro.
- ▶ Quando è attivato il meccanismo di percussione, il solo contatto che il corpo dell'operatore deve avere con la macchina è delle mani sull'impugnatura/impugnature. Evitare altro contatto, ad es. addossando una parte del corpo alla macchina o appoggiandovisi per aumentare la forza di avanzamento. Inoltre è importante mantenere il dispositivo di avviamento e di arresto non innestato durante l'estrazione dell'utensile dalla superficie di lavoro frantumata.
- ▶ Accertarsi che sull'utensile inserito venga eseguita una corretta manutenzione (ad es. che sia affilato, se si tratta di un utensile da taglio), che non sia usurato e che sia delle dimensioni corrette. Utensili di inserimento sui quali non venga eseguita una corretta manutenzione, che siano usurati o di dimensioni errate impiegano più tempo a compiere un'operazione (quindi con un periodo maggiore di esposizione alle vibrazioni) e possono causare o contribuire a più alti livelli di esposizione alle vibrazioni.
- ▶ Interrompere immediatamente il lavoro se la macchina improvvisamente inizia a vibrare eccessivamente. Prima di riprendere il lavoro, individuare e rimuovere la causa dell'aumento delle vibrazioni.
- ▶ Non afferrare mai o toccare l'utensile inserito con la macchina in funzione.
- ▶ Partecipare a sorveglianza o monitoraggio sanitario, esami medici e programmi di formazione resi disponibili dal proprio datore di lavoro e quando richiesto dalla legge.

Vedere la "Dichiarazione in materia di rumore e vibrazioni" per quanto concerne la macchina, compresi i valori di vibrazione dichiarati e le "Ulteriori informazioni sulle vibrazioni". Queste informazioni si trovano al termine di queste istruzioni per la sicurezza e per l'uso.

- ◆ Nell'utilizzare la macchina, adottare la pressione dell'aria raccomandata. Una pressione dell'aria maggiore o inferiore può causare livelli più alti di vibrazioni.

### **▲ PERICOLO**    **Pericolo elettrico**

La macchina non è isolata elettricamente. In caso di contatto della macchina con l'elettricità possono derivarne lesioni personali gravi o morte.

- ▶ Non mettere mai in funzione la macchina vicino a cavi elettrici o ad altre fonti di elettricità.
- ▶ Accertarsi che non siano presenti cavi nascosti o altre sorgenti elettriche nella zona di lavoro.

### **▲ ATTENZIONE**    **Pericoli correlati a oggetti nascosti**

Durante il funzionamento, cavi e tubi nascosti possono provocare gravi lesioni personali.

- ▶ Prima del funzionamento, verificare la composizione del materiale della macchina.
- ▶ Accertarsi che non vi siano cavi e condutture nascosti, ad es. di elettricità, linee telefoniche, acqua, gas e acque di rifiuto, ecc.
- ▶ Qualora si sospetti che l'utensile inserito abbia urtato un oggetto nascosto, spegnere immediatamente la macchina.
- ▶ Accertarsi che non vi siano pericoli prima di continuare.

**▲ ATTENZIONE    Avviamento accidentale**

L'avviamento accidentale della macchina può provocare gravi lesioni personali.

- ▶ Tenere lontane le mani dal dispositivo di avviamento ed arresto fino a quando l'operatore non è pronto ad avviare la macchina.
- ▶ Imparare come fermare la macchina in caso di emergenza.
- ▶ Rilasciare immediatamente il dispositivo di avviamento e arresto in caso di interruzione di corrente.
- ▶ Per il montaggio e lo smontaggio dell'utensile di inserimento disattivare l'alimentazione pneumatica e scollegare la macchina dalla sorgente di alimentazione. Spurgare la macchina premendo il dispositivo di avviamento e arresto e.

**▲ ATTENZIONE    Rischio correlato al rumore**

Livelli elevati di rumore possono causare la perdita permanente dell'udito.

- ▶ Utilizzare protezioni acustiche conformi alle normative per la salute e la sicurezza sui luoghi di lavoro.

## **Conservazione, precauzioni**

- ◆ La macchina e gli utensili devono essere conservati in un luogo sicuro e fuori dalla portata dei bambini, chiuso a chiave.

## **Manutenzione, precauzioni**

**▲ ATTENZIONE    Modifica della macchina**

Eventuali modifiche alla macchina possono causare lesioni personali all'operatore e ad altre persone.

- ▶ Non modificare mai la macchina.
- ▶ Utilizzare sempre ricambi ed accessori approvati dalla Chicago Pneumatic.

**▲ PRUDENZA    Utensile di inserimento caldo**

La punta dell'utensile di inserimento si riscalda quando viene utilizzata. Il contatto con la punta può causare ustioni.

- ▶ Non toccare mai un utensile di inserimento quando è caldo.
- ▶ Attendere che l'utensile di inserimento si sia raffreddato prima di eseguire qualsiasi intervento di manutenzione.

## Avvertenze

Per ridurre il rischio di lesioni gravi o morte, per se stessi o altre persone, prima di utilizzare la macchina leggere la sezione delle istruzioni sulla sicurezza che si trova nelle prime pagine di questo manuale.

## Modello e funzioni

Il demolitore pneumatico manuale CP 0111 è stato concepito per opere di costruzione leggere e medie e manutenzione di impiantistica.

I demolitori CP 0111 CHLA e CP 0111 CHIT sono dotati di un'impugnatura a D e possono essere utilizzati sia orizzontalmente sia verticalmente.

Non è consentito uso diverso da quello indicato.

Per scegliere l'utensile di inserimento corretto, fare riferimento all'elenco delle parti di ricambio.

## Scelta del corretto demolitore pneumatico per una data mansione

La scelta di un demolitore pneumatico delle dimensioni corrette per la propria mansione è importante.

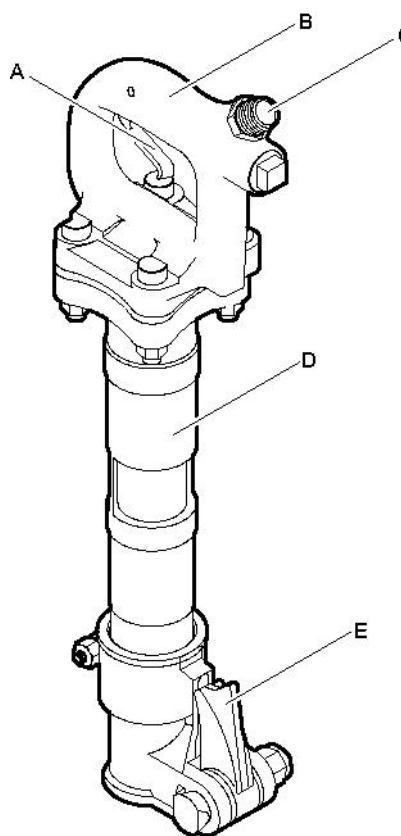
Se il demolitore pneumatico scelto è troppo piccolo, si impiegherà più tempo a eseguire il lavoro.

Un demolitore troppo grande dovrà essere riposizionato più spesso, comportando per l'operatore una fatica inutilmente maggiore.

Una semplice regola per la scelta di un demolitore pneumatico è verificare che un pezzo di normali dimensioni di materiale frantumato venga rimosso dal pezzo in lavorazione in 10-20 secondi.

- > Se si impiegano meno di 10 secondi, si deve selezionare un demolitore pneumatico più piccolo.
- > Se si impiegano più di 20 secondi si deve selezionare un demolitore pneumatico più grande.

## Parti principali

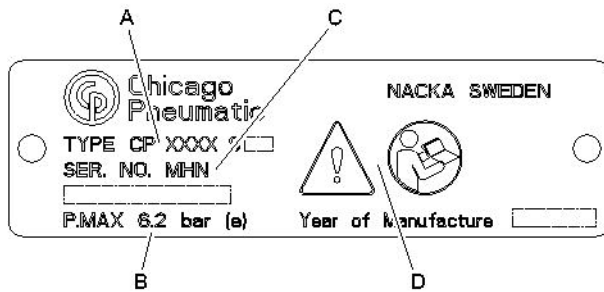


- A. Dispositivo di azionamento
- B. Impugnatura
- C. Ingresso aria
- D. Cilindro
- E. Fermo (blocco utensile)

## Targhette ed etichette adesive

Sulla macchina sono apposte targhette ed etichette adesive contenenti informazioni importanti per la sicurezza dell'operatore e la manutenzione della macchina. Targhette ed etichette adesive devono essere sempre leggibili. Targhette ed etichette adesive nuove possono essere ordinate facendo riferimento all'elenco dei pezzi di ricambio.

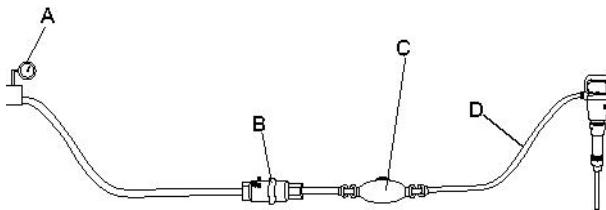
## Targhetta dei dati



- A. Tipo di macchina
- B. Pressione pneumatica massima consentita
- C. Numero di serie
- D. Il simbolo di attenzione insieme al simbolo del libro indicano che occorre leggere le Istruzioni per la sicurezza e per l'uso quando ci si accinge a utilizzare la macchina per la prima volta.

## Installazione

### Tubi e collegamenti



- A. Sorgente di aria compressa
  - B. Separatore di condensa (opzionale)
  - C. Oliatore (opzionale)
  - D. Tubo dell'aria compressa lungo max. 10 feet tra l'oliatore e la macchina.
- ◆ Verificare che si stia usando la corretta pressione operativa raccomandata, 87 psig (6 bar).
  - ◆ La pressione massima consentita dell'aria compressa, 90 psig (6,2 bar), non deve mai essere superata.
  - ◆ Soffiare via eventuali impurità dal tubo dell'aria compressa prima di collegarlo alla macchina.

- ◆ Selezionare le dimensioni e la lunghezza corrette per il tubo dell'aria compressa. Per tubi di lunghezza superiore a 100 feet (30 m) usare un tubo con diametro minimo interno di 3/4 in. (19 mm). Se il tubo ha una lunghezza tra 100 e 300 feet (30-90 m), usare un tubo con diametro interno minimo di 1 in. (25 mm).

## Misure antigelo

La formazione di ghiaccio nel silenziatore si può verificare quando la temperatura ambiente è di 32-50 °F (0-10 °C) e l'umidità relativa è alta.

La macchina è stata progettata in maniera tale da evitare la formazione di ghiaccio nel silenziatore. Malgrado ciò, in condizioni estreme è possibile che ciò accada.

Adottare le seguenti misure per evitare il rischio di formazione di ghiaccio:

- ◆ Usare un olio per utensili pneumatici che contenga sostanze antigelo.
- ◆ Usare un separatore di condensa.

## Collegamento del separatore di condensa

Tra il compressore e il separatore di condensa utilizzare un tubo che abbia una lunghezza sufficiente a garantire che il vapore acqueo si raffreddi e si condensi nel tubo prima di raggiungere il separatore.

Se la temperatura ambiente è inferiore a 32°F (0°C), il tubo deve essere sufficientemente corto per evitare il rischio di formazione di ghiaccio prima che l'acqua raggiunga il separatore di condensa.

## Lubrificazione

### Lubrificazione

Il lubrificante è importante per il funzionamento della macchina e ha un impatto significativo sulla sua durata utile. Allo scopo di fornire il corretto volume di olio, al tubo dell'aria si deve collegare un lubrificatore. Si raccomanda l'uso di un lubrificatore per aria compressa Chicago Pneumatic. Per una buona lubrificazione, la lunghezza del tubo dell'aria tra il lubrificatore e il demolitore pneumatico non deve superare i 10 feet (3 m).

Un eccesso di lubrificante causa problemi di avvio, potenza bassa o prestazioni irregolari.

Lubrificante raccomandato: Olio per utensili pneumatici con viscosità di 100-150 SUS a 100°F (ISO VG 22-32).

Quest'olio deve contenere un additivo ad azione antiruggine.

## Utensile di inserimento

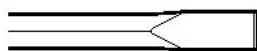
### Selezione del corretto utensile di inserimento

La selezione dell'utensile di inserimento giusto è un requisito indispensabile per il corretto funzionamento della macchina. Per evitare danni alla macchina, è importante che l'utensile di inserimento scelto sia di alta qualità.

**NOTA!** L'uso errato degli utensili di inserimento può distruggere la macchina.

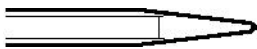
Gli utensili di inserimento raccomandati sono indicati nell'elenco delle parti di ricambio.

### Scalpello stretto



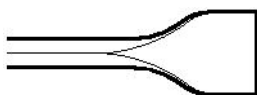
Lo scalpello stretto viene utilizzato per la demolizione o il lavoro di taglio nel cemento e in altri tipi di materiale duro.

### Scalpello a punta universale



Lo scalpello a punta universale va utilizzato solo per creare fori nel calcestruzzo e in altri tipi di terreno duro.

### Scalpello a lama larga

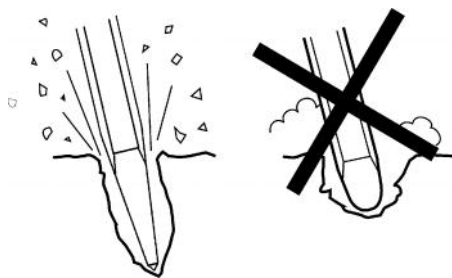


Lo scalpello a lama larga va utilizzato con materiali morbidi, quali l'asfalto e il terreno congelato.

### ⚠ ATTENZIONE Rischio correlato alle vibrazioni

Utensili inseriti che non soddisfano i criteri menzionati in seguito impiegano più tempo a compiere un'operazione e possono causare livelli più alti di esposizione alle vibrazioni. Un utensile usurato causa un tempo di lavorazione maggiore.

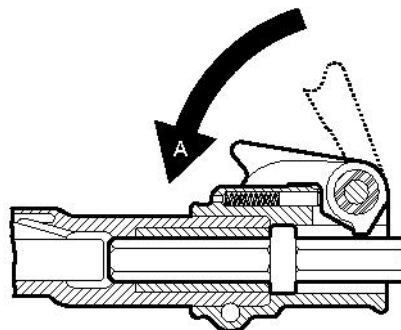
- ▶ Accertarsi che sull'utensile inserito venga eseguita una corretta manutenzione, che non sia usurato e che sia delle dimensioni corrette.
- ▶ Usare sempre un utensile affilato per poter lavorare in maniera efficace.



### Montaggio e smontaggio dell'utensile di inserimento

Attenersi alle istruzioni indicate di seguito per il montaggio e lo smontaggio dell'utensile di inserimento:

1. per impedire un avvio accidentale: disattivare l'alimentazione pneumatica e scollegare la macchina dalla sorgente di alimentazione. Spurgare la macchina premendo il dispositivo di avviamento e arresto.
2. Prima di inserire un utensile, lubrificare il mandrino con grasso.
3. Montare/smontare l'utensile di inserimento.
- 4.



Chiudere il trattenitore dell'utensile (posizione A) e verificare il funzionamento del blocco tirando con forza l'utensile inserito verso l'esterno.

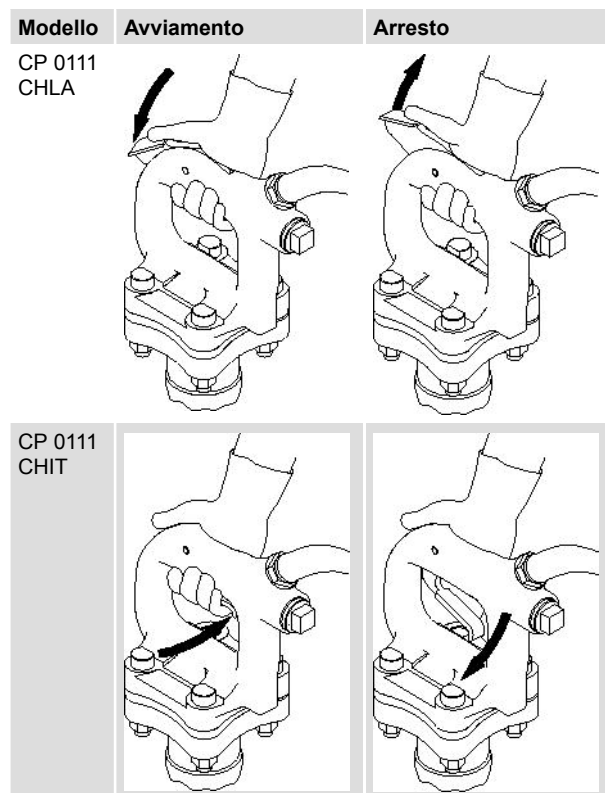
## Funzionamento

### ▲ **ATTENZIONE** Avviamento accidentale

L'avviamento accidentale della macchina può provocare gravi lesioni personali.

- ▶ Tenere lontane le mani dal dispositivo di avviamento ed arresto fino a quando l'operatore non è pronto ad avviare la macchina.
- ▶ Imparare come fermare la macchina in caso di emergenza.
- ▶ Rilasciare immediatamente il dispositivo di avviamento e arresto in caso di interruzione di corrente.

## Avviamento e arresto

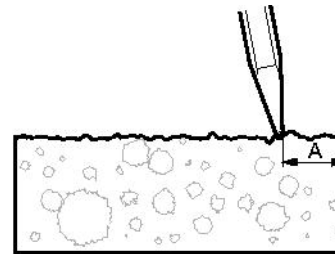


- ◆ Avviare la macchina premendo il dispositivo di avviamento e di arresto e nel contempo mantenere saldamente l'impugnatura.
- ◆ Arrestare la macchina rilasciando il dispositivo di azionamento. Il dispositivo di avviamento e arresto torna automaticamente nella posizione di arresto.

## Condizioni di esercizio

### Avvio di un taglio

- ◆ Operare in posizione stabile, con i piedi ben lontani dall'utensile inserito.
- ◆ Premere la macchina sulla superficie di lavoro prima dell'avvio.
- ◆ Il regime di esercizio della macchina si regola con il grilletto.
- ◆ Regolare la distanza dai bordi in modo che il demolitore possa fessurare il materiale senza romperlo.
- ◆ Non rompere pezzi troppo grandi. Regolare la distanza di demolizione (A) in maniera tale che l'utensile inserito non si blocchi.



### Demolizione

- ◆ Lasciare che sia la macchina a eseguire il lavoro; non esercitare una pressione eccessiva.
- ◆ Evitare di lavorare materiali estremamente duri, ad es. granito e ferro per cemento armato (tondini per cemento armato), che potrebbero causare vibrazioni eccessive.
- ◆ Evitare qualunque forma di utilizzo a regime minimo, senza utensile di inserimento o con la macchina sollevata.
- ◆ Quando la macchina viene sollevata, non azionare il dispositivo di avviamento e arresto.
- ◆ Controllare regolarmente che la macchina sia ben lubrificata.





## Durante le pause della lavorazione

- ◆ Durante le pause riporre la macchina in maniera tale che non vi sia rischio di azionamento involontario.
- ◆ Nel caso in cui la pausa sia lunga o quando si lascia il pezzo da lavorare: interrompere l'erogazione dell'aria compressa e spurgare la macchina attivando il dispositivo di avviamento e arresto.

## Manutenzione

La manutenzione regolare è un requisito di base perché l'uso dell'utensile continui ad essere sicuro ed efficiente. Seguire attentamente le istruzioni per l'uso.

- ◆ Utilizzare esclusivamente ricambi originali. Eventuali danni o guasti dovuti dall'uso di ricambi non originali non sono coperti da Garanzia o Responsabilità sul Prodotto.
- ◆ In caso di pulizia delle parti meccaniche con un solvente, rispettare tutte le norme di sicurezza vigenti e accertarsi che vi sia una ventilazione adeguata.
- ◆ Per la manutenzione completa della macchina, rivolgersi al proprio centro di assistenza autorizzato.

## Giornaliera

Prima di accingersi alla manutenzione o alla sostituzione dell'utensile di inserimento su macchine pneumatiche, disinserire sempre l'alimentazione dell'olio e spurgare la macchina premendo il dispositivo di avviamento e arresto, scollegare quindi il tubo flessibile pneumatico dalla macchina.

- ◆ Pulire e ispezionare la macchina ogni giorno.
- ◆ Controllare che il trattenitore dell'utensile non sia usurato e funzioni correttamente.
- ◆ Eseguire un'ispezione generale per verificare che non vi siano perdite o danni.
- ◆ Controllare che il nipplo dell'aria in ingresso sia serrato e che il raccordo a baionetta non sia danneggiato.

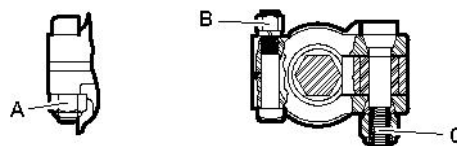
- ◆ Perché la macchina conservi i valori di vibrazione specificati, controllare sempre ciò che segue:  
Un gioco eccessivo tra il mandrino dell'utensile di inserimento e il mandrino per bocciardatura causerà maggiori vibrazioni. Per evitare una eccessiva esposizione alle vibrazioni, controllare quotidianamente che il mandrino per bocciardatura non sia usurato.
- ◆ Sostituire immediatamente i pezzi danneggiati.
- ◆ Sostituire tempestivamente i componenti danneggiati o usurati.
- ◆ Assicurarsi che tutta l'attrezzatura, quali tubazioni, separatori d'acqua e oliatori, sia sottoposta a corretta manutenzione.

## Manutenzione periodica

Dopo un periodo d'uso di circa 150 ore di battuta o due volte all'anno, smontare la macchina e pulirne e controllarne tutti i componenti. Questo lavoro deve essere eseguito da personale autorizzato, addestrato a questo compito.

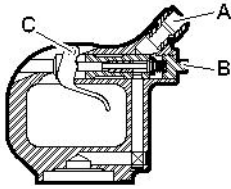
## Istruzioni per il montaggio

### CP 0111 generale



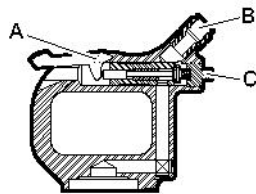
- A. Coppia: 115-125 lbf.ft (156-169 Nm)
- B. Coppia: 80-85 lbf.ft (109-115 Nm)
- C. Coppia: 65-70 lbf.ft (88-95 Nm)

## CP 0111 CHIT



- A. Coppia: 85-95 lbf.ft (115-128 Nm), utilizzare Loctite® 243™
- B. Coppia: 85-95 lbf.ft (115-128 Nm)
- C. Chiudere l'alloggiamento per trattenere il perno.

## CP 0111 CHLA



- A. Chiudere l'alloggiamento per trattenere il perno.
- B. Coppia: 85-95 lbf.ft (115-128 Nm), utilizzare Loctite® 243™
- C. Coppia: 85-95 lbf.ft (115-128 Nm)

## Ricerca dei guasti

Se il demolitore pneumatico non si avvia, ciò significa che la potenza è bassa o le prestazioni sono irregolari; controllare i seguenti punti:

- ◆ verificare che l'utensile di inserimento da usare abbia un mandrino con dimensioni corrette;
- ◆ verificare che il demolitore pneumatico abbia la corretta quantità di lubrificante. Un eccesso di lubrificante causa problemi di avvio, potenza bassa o prestazioni irregolari.
- ◆ controllare che il sistema ad aria compressa fornisca alla macchina pressione d'aria sufficiente a una potenza completa;
- ◆ verificare che le dimensioni e la lunghezza del tubo dell'aria corrispondano a quelle raccomandate. Si veda "Installazione".
- ◆ In caso di rischio di congelamento, controllare che le porte di scarico della macchina non siano bloccate.

- ◆ se il funzionamento della macchina non è ancora soddisfacente in seguito a questa procedura, contattare un'officina di assistenza autorizzata.

## Immagazzinamento

- > Pulire bene la macchina prima del magazzinaggio.
- > Versare circa 1/2 oz (5 cl) di olio direttamente nel nipplo dell'aria in ingresso, collegare la macchina all'erogazione dell'aria compressa e metterla in funzione per alcuni secondi.
- > Riporre sempre la macchina in un luogo asciutto.

## Smaltimento

Una macchina usurata si deve trattare e smaltire in maniera tale che la maggior parte possibile di materiale possa essere riciclata e che eventuali influenze negative sull'ambiente vengano ridotte al minimo.



## Dati tecnici

### Dati della macchina

Modello	Dimensioni della bussola in. (mm)	Codice	Peso lb (kg)	Lunghezza in. (mm)	Freq. di battuta (Hz)	Consumo aria foot <sup>3</sup> /min (l/s)
CP 0111 CHLA	Hexagon 1x4¼ (25x108)	8900 0001 20	29.9 (13)	22½ (572)	29-32	35-45 (17-21)
CP 0111 CHIT	Hexagon 7⁄8x3¼ (22x82,5)	8900 0001 41	29.9 (13)	22 13⁄16 (580)	29-32	35-45 (17-21)

**NEDERLANDS****Inhoud**

<b>Inleiding</b> .....	89
<b>Over de veiligheidsvoorschriften en bedieningshandleiding</b> .....	89
<b>Veiligheidsvoorschriften</b> .....	90
Veiligheidssignaaltermen.....	90
Persoonlijke voorzorgsmaatregelen en kwalificaties.....	90
Installatie, voorzorgsmaatregelen.....	90
Bediening, voorzorgsmaatregelen.....	91
Opslag, voorzorgsmaatregelen.....	94
Onderhoud, voorzorgsmaatregelen.....	94
<b>Overzicht</b> .....	95
Ontwerp en functie.....	95
Kiezen van de juiste pneumatische breekhamer voor een werkopdracht.....	95
Hoofdonderdelen.....	95
Plaatjes en stickers.....	95
<b>Installatie</b> .....	96
Slangen en aansluitingen.....	96
Methoden om bevrozing te voorkomen.....	96
Aansluiten van een waterafscheider.....	96
Smering.....	96
Inzetgereedschap.....	97
<b>Bediening</b> .....	98
Starten en stoppen.....	98
Bediening.....	98
Bij een pauze.....	99
<b>Onderhoud</b> .....	99
Iedere dag.....	99
Periodiek onderhoud.....	99
Montagevoorschriften.....	99
<b>Oplossen van storingen</b> .....	100
<b>Opslag</b> .....	100
<b>Opruimen</b> .....	100
<b>Technische gegevens</b> .....	101
Machinegegevens.....	101



## Inleiding

Hartelijk dank dat u Chicago Pneumatic hebt gekozen als uw leverancier van gereedschappen en diensten.

Chicago Pneumatic is een mondiaal opererend bedrijf dat een breed scala aanbiedt van pneumatische en hydraulische gereedschappen, waaronder sloophamers, steenboren, breekhamers, kleigraafmachines, boorhamers en brekers, pompen en nog veel meer.

In 2001 vierde de Chicago Pneumatic Tool Company zijn 100-jarig bestaan als pionier en marktleider binnen de industrie van pneumatische gereedschappen. Chicago Pneumatic heeft zich altijd in het bijzonder gericht op het leveren van krachtige en betrouwbare producten die eenvoudig te onderhouden zijn en het geld meer dan waard zijn. Deze filosofie heeft ons marktleider gemaakt op het gebied van luchtgereedschappen in de Verenigde Staten.

Lees meer op [www.cp.com](http://www.cp.com)

## Over de veiligheidsvoorschriften en bedieningshandleiding

Het doel van de voorschriften is u te voorzien van de kennis van hoe het op een efficiënte en veilige wijze gebruiken van de pneumatische breekhamer. De voorschriften geven u ook advies en vertellen u hoe u regelmatig onderhoud aan de pneumatische breekhamer moet uitvoeren.

Voordat u de pneumatische breekhamer voor het eerst gaat gebruiken, moet U deze voorschriften zorgvuldig lezen en zorgen dat u alles begrijpt.

## Veiligheidsvoorschriften

Om de kans op ernstig letsel of zelfs overlijden voor uzelf of anderen te reduceren, deze veiligheidsvoorschriften lezen voordat u de machine gaat gebruiken.

Hang deze veiligheidsvoorschriften op bij werkplekken, zorg voor kopieën voor werknemers en verzeker u ervan dat iedereen de veiligheidsvoorschriften leest voor gebruik van of voor servicewerkzaamheden aan de machine.

Voldoe aan alle veiligheidsvoorschriften.

## Veiligheidssignaaltermen

De veiligheidssignaaltermen Gevaar, Waarschuwing en Voorzichtig hebben de volgende betekenissen:

<b>GEVAAR</b>	Duidt op een gevaarlijke situatie die, indien deze niet wordt vermeden, de dood of ernstig letsel tot gevolg zal hebben.
<b>WAARSCHUWING</b>	Duidt op een gevaarlijke situatie die, indien deze niet wordt vermeden, de dood of ernstig letsel tot gevolg kan hebben.
<b>VOORZICHTIG</b>	Duidt op een gevaarlijke situatie die, indien deze niet wordt vermeden, gering of middelzwaar letsel tot gevolg kan hebben.

## Persoonlijke voorzorgsmaatregelen en kwalificaties

Alleen gekwalificeerde en opgeleide personen mogen de machine bedienen en onderhouden. Gebruik altijd uw gezond verstand en beoordelingsvermogen.

### Persoonlijke veiligheidsuitrusting

Gebruik altijd goedgekeurde beschermende uitrusting. Operators en alle andere personen binnen het werkgebied moeten beschermende uitrusting dragen, minimaal bestaand uit:

- > Veiligheidshelm
- > Gehoorbescherming
- > Slagvaste oogbescherming met zijwaartse bescherming

- > Bescherming van de luchtwegen indien van toepassing
- > Veiligheidshandschoenen
- > Geschikte veiligheidsschoenen/laarzen
- > Een geschikte werkoverall of soortgelijke kleding (niet loszittend) die uw armen en benen bedekt.

### Drugs, alcohol of medicijnen

#### ▲ WAARSCHUWING Drugs, alcohol of medicijnen

Drugs, alcohol en medicijnen kunnen uw beoordelings- en concentratievermogen beïnvloeden. Een gebrekkig reactievermogen en onjuiste beoordelingen kunnen leiden tot ernstige ongevallen of zelfs de dood.

- ▶ Gebruik de machine nooit als u vermoeid bent of onder de invloed van drugs, alcohol of medicijnen.
- ▶ Geen enkele persoon die onder de invloed is van drugs, alcohol of medicijnen mag de machine bedienen.

## Installatie, voorzorgsmaatregelen

### ▲ GEVAAR Rondzweepende luchtslang

Een persluchtslang die losraakt kan gaan rondslaan en persoonlijk letsel of de dood veroorzaken.

- ▶ Controleer of de persluchtslang en de koppelingen niet beschadigd zijn.
- ▶ Controleer of alle persluchtkoppelingen goed bevestigd zijn.
- ▶ Probeer nooit een persluchtslang die onder druk staat te ontkoppelen. Zet eerst de perslucht af bij de compressor en ontlucht vervolgens de machine door het start- en stopapparaat te activeren.
- ▶ Richt een persluchtslang nooit op uzelf of iemand anders. Om het risico gewond te raken te vermijden, nooit perslucht gebruiken om b.v. stof, vuil etc. van uw kleding te verwijderen.



### ▲ WAARSCHUWING    Uitgeworpen inzetgereedschap

Als de gereedschapshouder op de machine niet in de vergrendelde stand staat, kan het inzetgereedschap met kracht worden uitgeworpen, hetgeen persoonlijk letsel kan veroorzaken.

- ▶ Nooit de machine starten tijdens het verwisselen van het inzetgereedschap.
- ▶ Voordat het inzetgereedschap wordt verwisseld de machine afzetten, de persluchttoevoer uitschakelen en de machine ontlichten door het start- en stopapparaat te activeren.
- ▶ Richt het inzetgereedschap nooit op u zelf of iemand anders.
- ▶ Zorg ervoor dat het inzetgereedschap volledig is geplaatst en dat de gereedschapshouder in de vergrendelde stand staat voordat de machine wordt gestart.
- ▶ Controleer de vergrendelfunctie door het inzetgereedschap er met kracht uit te trekken.

### ▲ WAARSCHUWING    Bewegend / slippend inzetgereedschap

Een onjuiste afmeting van de steel van het inzetgereedschap kan erin resulteren dat het inzetgereedschap verloren raakt of eruit glijdt tijdens het gebruik. Risico van ernstig letsel of verbrijzelde handen en vingers.

- ▶ Controleer of het inzetgereedschap beschikt over de steellengte en de afmetingen waarvoor de machine is bedoeld.
- ▶ Gebruik nooit een inzetgereedschap zonder kraag.

## Bediening, voorzorgsmaatregelen

### ▲ GEVAAR    Explosiegevaar

Als een inzetgereedschap in contact komt met explosieven of explosieve gassen, zou een explosie kunnen plaatsvinden. Tijdens het werken met bepaalde materialen kunnen vonken en een ontsteking ontstaan. Explosies zullen leiden tot ernstig letsel of zelfs de dood.

- ▶ De machine nooit in een explosieve omgeving gebruiken.
- ▶ Gebruik de machine nooit in de nabijheid van ontvlambare materialen, gassen of stof.
- ▶ Controleer of er geen ongedetecteerde gasbronnen of explosieven zijn.

### ▲ WAARSCHUWING    Onverwachte bewegingen

Het inzetgereedschap wordt blootgesteld aan hevige spanningen als de machine wordt gebruikt. Het inzetgereedschap kan na een bepaalde gebruiksduur breken op grond van metaalmoeheid. Als het inzetgereedschap breekt of stuk gaat, kan er sprake zijn van een onverwachte beweging die letsel kan veroorzaken. Verder kan het verliezen van uw balans of uitglijden letsel veroorzaken.

- ▶ Zorg ervoor dat uw positie altijd stabiel is, met uw voeten zover van elkaar als uw schouders breed zijn, en houd uw lichaamsgewicht in balans.
- ▶ Altijd de apparatuur inspecteren voorafgaand aan het gebruik. Gebruik de apparatuur nooit als u vermoedt dat deze beschadigd is.
- ▶ Zorg ervoor dat de handgrepen schoon en vrij van vet en olie zijn.
- ▶ Houd uw voeten weg van het inzetgereedschap.
- ▶ Sta stevig en houd de machine altijd met beide handen vast.
- ▶ Start de machine nooit als deze op de grond ligt.
- ▶ Nooit op de machine "rijden" met een been over de handgreep.
- ▶ Nooit op de apparatuur slaan of deze verkeerd gebruiken.
- ▶ Controleer het inzetgereedschap regelmatig op slijtage en controleer of er tekenen zijn van schade of zichtbare barsten.
- ▶ Schenk aandacht aan en kijk naar waar u mee bezig bent.

**▲ WAARSCHUWING Silicaatgevaar**

Blootstelling aan kristalsilicaat (soms ook wel 'silicaatstof' genoemd) als een resultaat van het breken, boren, hameren of andere werkzaamheden met steen, beton, asfalt of andere materialen, kan silicose (een ernstige longaandoening), aan silicose gerelateerde ziekten, kanker of de dood veroorzaken. Silicaat is een belangrijke component van steen, zand en minerale ertsen. Om de blootstelling aan silicaat te reduceren:

- ▶ Gebruik geschikte constructiemiddelen om de hoeveelheid silicaat in de lucht en de vorming van stof op apparatuur en oppervlakken te reduceren. Voorbeelden van dergelijke middelen zijn: uitlaatventilatie, stofopvangsystemen, watersprays en nat boren. Zorg ervoor dat bedieningsorganen goed worden geïnstalleerd en onderhouden.
- ▶ Het is noodzakelijk om goedgekeurde stofmaskers te dragen, te onderhouden en correct te gebruiken om deeltjes tegen te houden. Dit als constructiemiddelen alleen niet voldoende zijn om de blootstelling te reduceren tot onder de toegestane niveaus.
- ▶ Neem deel aan luchtcontrole, medische onderzoeken en trainingsprogramma's die u worden aangeboden door uw werkgever en als die wettelijk vereist zijn.
- ▶ Draag uitwasbare - of wegwerpkleding op de werkplek; neem een douche en trek schone kleren aan voordat u de werkplek verlaat om blootstelling aan silicaat van uzelf en anderen, auto, huis en andere plekken te reduceren.
- ▶ Nooit eten, drinken of tabakproducten gebruiken op plaatsen waar sprake is van stof dat kristalsilicaat bevat.
- ▶ Was uw handen en gezicht voordat u eet, drinkt of tabakproducten gebruikt buiten de plaats van blootstelling.
- ▶ Werk er samen met uw werkgever aan om de blootstelling aan silicaat op uw werkplek te reduceren.

**▲ WAARSCHUWING Stofgevaar**

Sommige stoffen, dampen of ander materialen in de lucht, die worden gecreëerd tijdens het gebruik van de machine, kunnen chemicaliën bevatten die in de staat Californië (USA) erom bekend staan dat ze kanker en geboortefwijkingen of andere voortplantingsproblemen kunnen veroorzaken. Enkele voorbeelden van dergelijke chemicaliën zijn:

- > Kristalsilicaat, cement en andere metselwerkproducten.
- > Arseen en chroom van chemisch behandeld rubber.
- > Lood van op lood gebaseerde verfstoffen.
- ▶ Om uw blootstelling aan deze chemicaliën te reduceren, moet u werken op een goed geventileerde plaats en werken met een goedgekeurde veiligheidsuitrusting, zoals stofmaskers die speciaal werden geconstrueerd om microscopische deeltjes uit te filteren.

**▲ WAARSCHUWING Projectielen**

Tijdens het gebruik kunnen splinters of andere deeltjes van het materiaal waarmee wordt gewerkt projectielen worden en persoonlijk letsel veroorzaken, doordat deze de gebruiker of andere personen raken.

- ▶ Gebruik een goedgekeurde persoonlijke veiligheidsuitrusting, inclusief een slagvaste oogbescherming met zijwaartse bescherming.
- ▶ Zorg ervoor dat onbevoegde personen geen toegang hebben tot het werkgebied.
- ▶ Houd de werkplek vrij van vreemde voorwerpen.





### ▲ WAARSCHUWING Gevaar van trillingen

Normaal en correct gebruik van de machine stelt de gebruiker bloot aan trillingen. Regelmatige en frequente blootstelling aan trillingen kan letsel veroorzaken. Het kan ertoe bijdragen dat aandoeningen ontstaan aan de vingers, handen, armen, polsen, schouders en/of andere lichaamsdelen van de gebruiker, of deze verergeren. Verwaking en/of blijvend letsel of aandoeningen bij de gebruiker kunnen zich ook voordoen in de loop van weken, maanden of jaren. Dergelijk letsel of zulke aandoeningen kunnen ook omvatten: schade aan de bloedsomloop, schade aan het zenuwstelsel, schade aan gewrichten, en mogelijk schade aan de overige lichaamsbouw.

Als stijfheid, tintelen, pijn, onhandigheid, een verzwakte grip, verbleking van de huid of andere symptomen plaatsvinden op welk moment dan ook tijdens het bedienen van de machine of tijdens het niet bedienen van de machine, ga dan niet weer met de machine aan de slag maar zoek medische hulp. Een voortgezet gebruik van de machine na het plaatsvinden van een dergelijk symptoom kan het risico verhogen dat de symptomen ernstiger worden en/of blijvend.

Het volgende kan helpen de blootstelling aan trillingen van de gebruiker te reduceren:

- ▶ Laat het gereedschap het werk doen. Gebruik een minimale handgrip, strokend met een correcte controle en veilige bediening.
- ▶ Als het slagmechanisme wordt geactiveerd, is het enige lichamelijke contact met de machine dat u dient te hebben, uw handen op de handgreep/handgrepen. Vermijd enig ander contact, b.v. het steunen van enig ander deel van het lichaam tegen de machine of het leunen op de machine om te proberen de werkkraft te vergroten. Het is ook belangrijk het start- en stopapparaat niet ingeschakeld te houden bij het verwijderen van het gereedschap uit het stuk gemaakte werkoppervlak.
- ▶ Zorg ervoor dat het geplaatste gereedschap goed is onderhouden (het moet scherp zijn als het een zaaggereedschap is), niet versleten is en van de juiste afmeting. Inzetgereedschappen die niet goed zijn onderhouden, of die versleten zijn of niet de juiste afmetingen hebben, leiden ertoe dat het langer duurt om een karwei te voltooien (en een langere blootstelling aan trillingen) en kunnen resulteren in of bijdragen aan hogere niveaus van blootstelling aan trillingen.

- ▶ Stop onmiddellijk met werken als de machine plotseling sterk begint te trillen. Voordat u het werk weer oppakt moet u, eerst de oorzaak van de verhoogde trillingen vinden en wegnemen.
- ▶ Het inzetgereedschap nooit vastpakken, vasthouden of aanraken als u de machine gebruikt.
- ▶ Neem deel aan gezondheidsbewaking of controle, medische onderzoeken en trainingsprogramma's die u worden aangeboden door uw werkgever en als die wettelijk vereist zijn.

Zie de "Geluids- & Trillingsverklaring" voor de machine, de vermelde trillingswaarden en "Aanvullende trillingsinformatie". Deze informatie vindt u aan het eind van de Veiligheidsvoorschriften en bedieningshandleiding.

- ◆ Zorg dat de luchtdruk is zoals aanbevolen als u de machine gebruikt. Zowel een hogere als een lagere luchtdruk kan mogelijk resulteren in hogere trillingniveaus.

### ▲ GEVAAR Elektrisch gevaar

De machine is niet elektrisch geïsoleerd. Als de machine in contact komt met elektriciteit, kan dat leiden tot ernstig letsel of de dood.

- ▶ De machine nooit bedienen in de buurt van een elektriciteitskabel of een andere elektriciteitsbron.
- ▶ Verzeker u ervan dat er geen sprake is van verborgen bedrading of andere elektriciteitsbronnen binnen het werkterrein.

### ▲ WAARSCHUWING Gevaar van een verborgen object

Tijdens het gebruik kunnen verborgen kabels en buizen een gevaar vormen dat kan resulteren in ernstig letsel.

- ▶ Controleer de samenstelling van het materiaal voordat u aan de slag gaat.
- ▶ Kijk uit voor verborgen kabels en buizen van b.v. elektriciteit, telefoon, water, gas en riolen etc.
- ▶ Als het inzetgereedschap een verborgen object geraakt lijkt te hebben, zet de machine dan onmiddellijk af.
- ▶ Verzeker u ervan dat er geen gevaar dreigt voordat u verder gaat.

**▲ WAARSCHUWING Onopzettelijk starten**

Onopzettelijk starten van de machine kan letsel veroorzaken.

- ▶ Houd uw handen weg van het start- en stopapparaat tot u gereed bent om de machine te starten.
- ▶ Leer hoe de machine wordt uitgeschakeld in geval van nood.
- ▶ Laat het start- en stopapparaat onmiddellijk los in alle gevallen dat de stroom wordt onderbroken.
- ▶ Bij het plaatsen of verwijderen van het inzetgereedschap altijd de luchttoevoer afzetten en de machine ontkoppelen van de stroombron. Ontlucht de machine door te drukken op het start/stop-apparaat.

**▲ WAARSCHUWING Gevaar veroorzaakt door geluid**

Hoge geluidsniveaus kunnen blijvend gehoorverlies veroorzaken.

- ▶ Gebruik een gehoorbescherming in overeenstemming met de beroepsgezondheids- en veiligheidsvoorschriften.

**▲ VOORZICHTIG Heet inzetgereedschap**

De punt van het inzetgereedschap wordt heet tijdens het gebruik. Het aanraken ervan kan leiden tot brandwonden.

- ▶ Nooit een heet inzetgereedschap aanraken.
- ▶ Wacht tot het inzetgereedschap is afgekoeld alvorens onderhoudswerkzaamheden uit te voeren.

## Opslag, voorzorgsmaatregelen

---

- ◆ Bewaar de machine en gereedschappen op een veilige plaats, buiten het bereik van kinderen en achter slot en grendel.

## Onderhoud, voorzorgsmaatregelen

---

**▲ WAARSCHUWING Machinemodificatie**

Ledere modificatie van de machine kan resulteren in lichamelijk letsel voor u zelf of anderen.

- ▶ De machine nooit modificeren.
- ▶ Gebruik altijd alleen originele onderdelen en accessoires die zijn goedgekeurd door Chicago Pneumatic.

## Overzicht

Om het risico van ernstig letsel of overlijden voor u zelf of anderen te reduceren, dient u voordat u de machine gaat gebruiken de Veiligheidsvoorschriften te lezen, die u vindt op de voorgaande pagina's van dit handboek.

## Ontwerp en functie

De CP 0111 handbediende pneumatische breekhamer is geconstrueerd voor lichte tot middelzware bouw- en fabrieksonderhoudswerkzaamheden.

CP 0111 CHLA en CP 0111 CHIT zijn voorzien van een D-handgreep en kunnen zowel horizontaal als verticaal worden gebruikt.

Ander gebruik is niet toegestaan.

Zie voor de keuze van het juiste inzetgereedschap de reserveonderdelenlijst.

## Kiezen van de juiste pneumatische breekhamer voor een werkopdracht

Het is belangrijk de juiste afmeting van de pneumatische breekhamer te kiezen voor de werkzaamheden die moeten worden uitgevoerd.

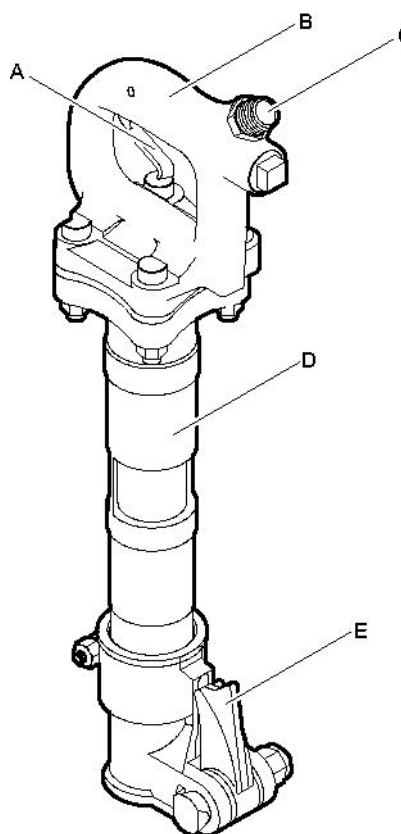
Een pneumatische breekhamer die te klein is, betekent dat het werk langer duurt.

Een breekhamer die te groot is, betekent dat deze vaak opnieuw moet worden gepositioneerd, hetgeen onnodig vermoeiend is voor de operator.

Een simpele regel voor het kiezen van de juiste afmeting van de pneumatische breekhamer is dat een stuk afgebroken materiaal van normale afmetingen van het te bewerken stuk moet zijn verwijderd binnen 10-20 seconden werk.

- > Als het minder dan 10 seconden kost, moet een kleinere pneumatische breekhamer worden gekozen.
- > Als het meer dan 20 seconden kost, moet een grotere pneumatische breekhamer worden gekozen.

## Hoofdonderdelen

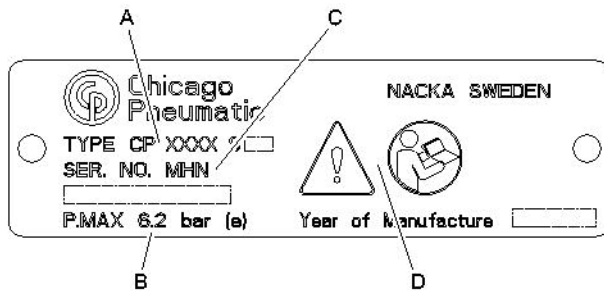


- A. Trekker
- B. Handgreep
- C. Luchtinlaat
- D. Cilinder
- E. Klink (gereedschapshouder)

## Plaatjes en stickers

De machine is uitgerust met plaatjes en stickers met belangrijke informatie over persoonlijke veiligheid en machineonderhoud. De plaatjes en stickers moeten altijd makkelijk leesbaar zijn. Nieuwe plaatjes en stickers kunnen worden besteld met behulp van de lijst van reserveonderdelen.

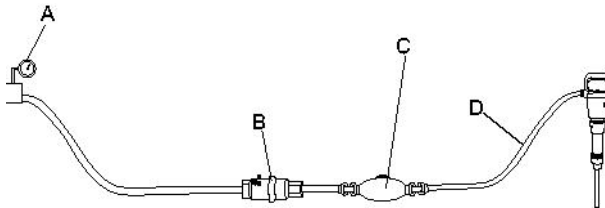
## Gegevensplaatje



- A. Machinetype
- B. Maximaal toegestane persluchtdruk
- C. Serienummer
- D. Het waarschuwingssymbool samen met het boeksymbool betekent dat de gebruiker de veiligheidsvoorschriften en de bedieningshandleiding moet lezen voordat de machine voor het eerst wordt gebruikt.

## Installatie

### Slangen en aansluitingen



- A. Persluchtbron
  - B. Waterafscheider (optioneel)
  - C. Smeertoestel (optioneel)
  - D. Max. 10 feet persluchtslang tussen de smeertoestel en de machine.
- ♦ Controleer of u de juiste aanbevolen werkdruk gebruikt, 87 psig (6 bar (e)).
  - ♦ De maximaal toegestane luchtdruk, 90 psig (6,2 bar (e)), mag niet worden overschreden.
  - ♦ Blaas eventuele ongerechtigheden uit de persluchtslang voordat u deze aansluit op de machine.

- ♦ Kies de juiste afmeting en lengte voor de persluchtslang. Voor slanglengten tot 100 feet (30 meter) moet een slang met minimaal een inwendige diameter van 3/4 in. (19 mm) worden gebruikt. Als de slanglengte ligt tussen 100 en 300 feet (30-90 m), moet een slang met een minimale inwendige diameter van 1 in. (25 mm) worden gebruikt.

## Methoden om bevriezing te voorkomen

Ijsvorming in de geluiddemper kan ontstaan als de omgevingstemperatuur 32-50 °F (0-10 °C) is en de relatieve vochtigheid hoog is.

De machine is geconstrueerd om ijsvorming in de geluiddemper te voorkomen. Desondanks kan zich onder extreme omstandigheden ijs vormen in de geluiddemper.

De volgende maatregelen kunnen worden genomen om het risico van ijsvorming verder tegen te gaan:

- ♦ Gebruik een luchtgereedschapolie die anti-vriesoplossingen bevat.
- ♦ Gebruik een waterafscheider.

## Aansluiten van een waterafscheider

De lengte van de slang tussen de compressor en de waterafscheider moet zodanig zijn dat de waterdamp wordt gekoeld en condenseert in de slang voordat de waterafscheider wordt bereikt.

Als de omgevingstemperatuur lager is dan 32 °F (0 °C) moet de slang kort genoeg zijn om te voorkomen dat het water bevriest voordat het de waterafscheider bereikt.

## Smering

### Smering

Het smeermiddel is belangrijk voor de werking van de machine en is van grote invloed op de levensduur. Om te zorgen voor de juiste hoeveelheid olie, moet een smeerapparaat worden aangesloten op de luchtslang. Het gebruik van een Chicago Pneumatic smeerapparaat voor de luchtleiding wordt aanbevolen. Om een goede smering te garanderen, mag de lengte van de luchtslang tussen het smeerapparaat en de pneumatische hamer niet meer zijn dan 10 feet (3 m).



Teveel smering kan leiden tot startproblemen, weinig vermogen of onregelmatig presteren.

Aanbevolen smeermiddel: Luchtgereedschapolie met een viscositeit van 100-150 SUS bij 100°F (ISO VG 22–32).

Aanbevolen wordt dat de olie een roestremmer bevat.

## Inzetgereedschap

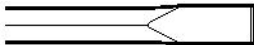
### Selecteren van het juiste inzetgereedschap

Het selecteren van het juiste inzetgereedschap is een voorwaarde voor een goede werking van de machine. Het is belangrijk inzetgereedschappen van hoge kwaliteit te selecteren om onnodige machineschade te vermijden.

**LET OP!** De machine kan worden vernield als u een onjuist inzetgereedschap gebruikt.

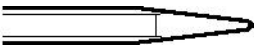
De aanbevolen inzetgereedschappen worden opgesomd in de reserveonderdelenlijst voor de machine.

### Smalle beitel



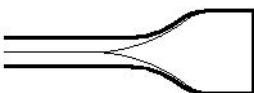
De smalle beitel wordt gebruikt voor sloop- en snijwerkzaamheden in beton en andere typen hard materiaal.

### Beitel met stompe punt



De beitel met stompe punt mag alleen worden gebruikt voor het maken van gaten in beton en andere typen harde grond.

### Beitel met breed blad

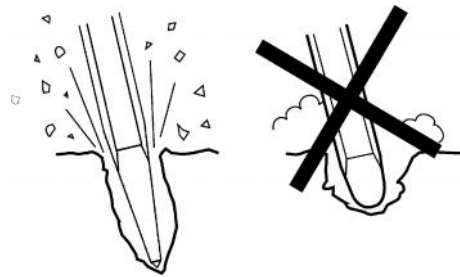


De beitel met breed blad mag alleen worden gebruikt in zacht materiaal, zoals asfalt en bevroren grond.

### ⚠ WAARSCHUWING Gevaar van trillingen

Het gebruiken van inzetgereedschappen die niet voldoen aan de hieronder genoemde criteria, zal ertoe leiden dat het langer duurt een karwei te voltooien en kan resulteren in hogere niveaus van blootstelling aan trillingen. Een versleten gereedschap veroorzaakt ook een langere werktijd.

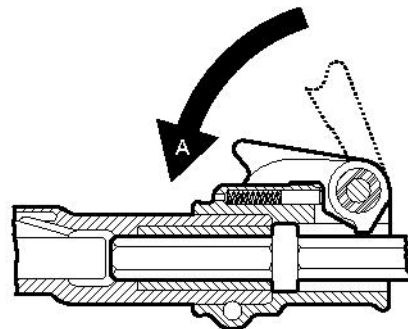
- ▶ Controleer of het inzetgereedschap goed onderhouden is, niet versleten en van de juiste afmetingen.
- ▶ Gebruik altijd een scherp gereedschap om efficiënt te werken.



### Plaatsen en verwijderen van het inzetgereedschap

Bij het plaatsen/verwijderen van het inzetgereedschap moet rekening worden gehouden met de volgende instructies:

1. Om een onbedoelde start te voorkomen: de luchttoevoer afzetten en de machine ontkoppelen van de stroombron. Ontlucht de machine door te drukken op het start/stop-apparaat.
2. Voor het plaatsen van een gereedschap de gereedschapssteel smeren met vet.
3. Monteren/demonteren van het inzetgereedschap.
- 4.



Sluit de gereedschapshouder (positie A) en controleer de vergrendelfunctie door het geplaatste gereedschap er abrupt uit te rukken.

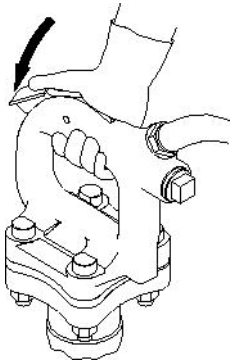
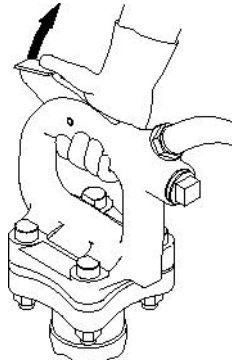
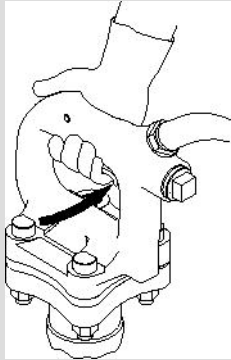
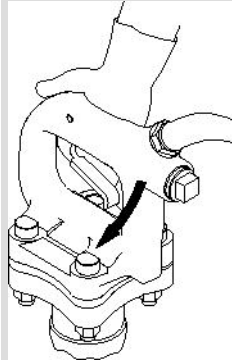
## Bediening

### ▲ WAARSCHUWING Onopzettelijk starten

Onopzettelijk starten van de machine kan letsel veroorzaken.

- ▶ Houd uw handen weg van het start- en stopapparaat tot u gereed bent om de machine te starten.
- ▶ Leer hoe de machine wordt uitgeschakeld in geval van nood.
- ▶ Laat het start- en stopapparaat onmiddellijk los in alle gevallen dat de stroom wordt onderbroken.

## Starten en stoppen

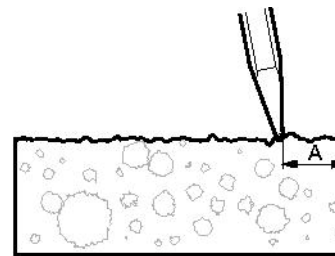
Model	Start	Stop
CP 0111 CHLA		
CP 0111 CHIT		

- ◆ Start de machine door in het start- en stopapparaat te knijpen terwijl u de handgreep stevig vasthoudt.
- ◆ Stop de machine door de trekker los te laten. Het start- en stopapparaat keert automatisch terug naar de startstand.

## Bediening

### Starten van een snede

- ◆ Ga in een stabiele positie staan, met uw voeten uit de buurt van het inzetgereedschap.
- ◆ Druk de machine tegen het werkoppervlak voordat u begint.
- ◆ De werksnelheid van de machine wordt geregeld via de trekker.
- ◆ Begin met hakken op een zodanige afstand van de rand dat de machine in staat is het materiaal te breken zonder hefboomkracht.
- ◆ Nooit proberen te grote stukken af te breken. Stel de breekafstand (A) zo af dat het inzetgereedschap niet vast gaat zitten.



### Breken

- ◆ Laat de machine het werk doen; druk niet te hard.
- ◆ Vermijd het werken in extreem harde materialen zoals graniet en versterkingsijzer (versterkingsbalken), hetgeen substantiële trillingen zou veroorzaken.
- ◆ Iedere vorm van stationair draaien, draaien zonder inzetgereedschap of werken met een opgetilde machine dient te worden vermeden.
- ◆ Als de machine wordt opgetild, dient het start- en stopapparaat niet te worden geactiveerd.
- ◆ Controleer regelmatig of de machine goed wordt gesmeerd.



## Bij een pauze

- ◆ Tijdens alle pauzes moet u de machine opbergen, zodat er geen risico bestaat dat deze onbedoeld wordt gestart.
- ◆ Ingeval van een langere pauze of bij het verlaten van de werkplek: Zet de persluchttoevoer af en ontlucht vervolgens de machine door het start- en stopapparaat te activeren.

## Onderhoud

Regelmatig onderhoud is een basisvereiste voor een voortgezet veilig en efficiënt gebruik van de machine. Volg de bedieningsinstructies zorgvuldig.

- ◆ Gebruik alleen authentieke onderdelen. Een schadegeval of defect dat het gevolg is van het gebruik van niet erkende onderdelen, wordt niet gedekt door onze garantie of productaansprakelijkheid.
- ◆ Bij het reinigen van mechanische onderdelen met een oplosmiddel, de geldende gezondheids- en veiligheidsbepalingen volgen en controleren of er voldoende ventilatie is.
- ◆ Voor grote servicewerkzaamheden aan de machine, neemt u contact op met de dichtstbijzijnde erkende werkplaats.

## Iedere dag

Voordat u begint met het onderhoud aan of het vervangen van het inzetgereedschap op pneumatische machines, altijd de luchttoevoer uitschakelen en de machine ontluchten door op start en stop te drukken. Ontkoppel vervolgens de luchtslang van de machine.

- ◆ Reinig en inspecteer de machine iedere dag.
- ◆ Controleer de gereedschapshouder op slijtage en werking.
- ◆ Een algemene inspectie uitvoeren op lekkages en schade.
- ◆ Controleren of de luchtinlaatnippel is aangehaald en of de klauwkoppeling vrij is van schade.

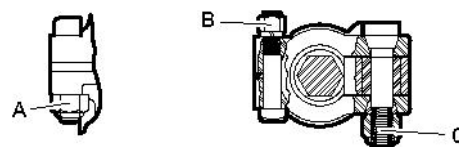
- ◆ Om ervoor te zorgen dat de machine blijft beschikken over de gespecificeerde trillingswaarden, moet altijd het volgende worden gecontroleerd:  
Een te grote speling tussen de steel van het inzetgereedschap en de beitelbus zal meer trillingen genereren. Om blootstelling aan buitensporige trillingen te vermijden, moet u de beitelbus iedere dag controleren op slijtage.
- ◆ Vervang beschadigde onderdelen onmiddellijk.
- ◆ Vervang beschadigde en versleten componenten op tijd.
- ◆ Zorg ervoor dat alle bevestigde en gerelateerde uitrusting, zoals slangen, waterafscieder en smerbussen goed worden onderhouden.

## Periodiek onderhoud

Na iedere gebruiksperiode van ongeveer 150 slaguren of twee keer per jaar moet de machine worden ontmanteld en moeten alle onderdelen worden gereinigd en gecontroleerd. Dit werk moet worden uitgevoerd door bevoegd personeel dat is opgeleid voor deze taak.

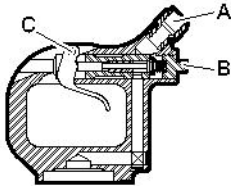
## Montagevoorschriften

### CP 0111 algemeen



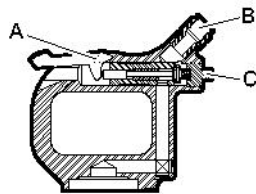
- A. Koppel: 115-125 lbf.ft (156-169 Nm)
- B. Koppel: 80-85 lbf.ft (109-115 Nm)
- C. Koppel: 65-70 lbf.ft (88-95 Nm)

## CP 0111 CHIT



- A. Koppel: 85-95 lbf.ft (115-128 Nm), gebruik Loctite® 243™
- B. Koppel: 85-95 lbf.ft (115-128 Nm)
- C. Behuizing uitgehamerd om de pen vast te houden.

## CP 0111 CHLA



- A. Behuizing uitgehamerd om de pen vast te houden.
- B. Koppel: 85-95 lbf.ft (115-128 Nm), gebruik Loctite® 243™
- C. Koppel: 85-95 lbf.ft (115-128 Nm)

- ◆ Als sprake is van kans op bevrozing, controleer dan of de uitlaatpoorten van de machine niet geblokkeerd zijn.
- ◆ Als de werking van de machine na deze procedure nog steeds niet naar tevredenheid is, neem dan contact op met een erkende werkplaats.

## Opslag

- > Reinig de machine zorgvuldig alvorens hem op te bergen.
- > Giet ongeveer 5 cl olie direct in de luchtinlaatnippel, sluit de machine aan op perslucht en start hem een paar seconden.
- > Sla de machine altijd op een droge plaats op.

## Opruimen

Een gebruikte machine moet worden behandeld en opgeruimd op een zodanige manier dat het grootste mogelijke deel van het materiaal kan worden gerecycled en een eventuele negatieve invloed op het milieu zo laag mogelijk wordt gehouden.

## Oplossen van storingen

Als de pneumatische breekhamer niet start, weinig vermogen heeft of onregelmatig presteert, controleer dan de volgende punten.

- ◆ Controleer of het inzetgereedschap dat wordt gebruikt, beschikt over een steel met de juiste afmetingen.
- ◆ Controleer of de pneumatische breekhamer de juiste hoeveelheid smeermiddel krijgt. Teveel smering kan leiden tot start problemen, een laag vermogen of onregelmatig presteren.
- ◆ Controleer of het persluchtsysteem de machine voorziet van voldoende luchtdruk om het volledige vermogen te kunnen leveren.
- ◆ Controleer of de afmeting en de lengte van de luchtslang zijn conform de aanbevelingen. Zie "Installatie".





# Technische gegevens

## Machinegegevens

Model	Steelafmeting in. (mm)	Artikelnummer	Gewicht lb (kg)	Lengte in. (mm)	Slagfreq. (Hz)	Luchtverbruik voet <sup>3</sup> /min (l/s)
CP 0111 CHLA	Hexagon 1x4¼ (25x108)	8900 0001 20	29.9 (13)	22½ (572)	29-32	35-45 (17-21)
CP 0111 CHIT	Hexagon 7⁄8x3¼ (22x82,5)	8900 0001 41	29.9 (13)	22 13⁄16 (580)	29-32	35-45 (17-21)

**ΕΛΛΗΝΙΚΑ****Περιεχόμενα**

<b>Εισαγωγή</b> .....	103
<b>Σχετικά με τις οδηγίες ασφάλειας και χειρισμού</b> .....	103
<b>Οδηγίες ασφάλειας</b> .....	104
Λέξεις σημάτων ασφαλείας.....	104
Προσωπικές προφυλάξεις και πιστοποιήσεις.....	104
Εγκατάσταση, προφυλάξεις.....	104
Χειρισμός, προφυλάξεις.....	105
Αποθήκευση, προφυλάξεις.....	108
Συντήρηση, προφυλάξεις.....	108
<b>Επισκόπηση</b> .....	109
Σχεδιασμός και λειτουργία.....	109
Επιλογή του κατάλληλου αεροθραυστήρα για μία εργασία.....	109
Κύρια μέρη.....	109
Σήματα και αυτοκόλλητες ετικέτες.....	109
<b>Εγκατάσταση</b> .....	110
Εύκαμπτοι σωλήνες και συνδέσεις.....	110
Μέθοδοι αποφυγής παγώματος.....	110
Σύνδεση διαχωριστή νερού.....	110
Λίπανση.....	111
Εργαλείο εισαγωγής.....	111
<b>Χειρισμός</b> .....	112
Εκκίνηση και τερματισμός λειτουργίας.....	112
Χειρισμός.....	112
Όταν κάνετε διάλειμμα.....	113
<b>Συντήρηση</b> .....	113
Κάθε μέρα.....	113
Περιοδική συντήρηση.....	114
Οδηγίες συναρμολόγησης.....	114
<b>Αντιμετώπιση προβλημάτων</b> .....	114
<b>Αποθήκευση</b> .....	115
<b>Απόρριψη</b> .....	115
<b>Τεχνικά δεδομένα</b> .....	116
Δεδομένα μηχανήματος.....	116



## Εισαγωγή

Σας ευχαριστούμε που επιλέξατε την Chicago Pneumatic ως προμηθευτή εργαλείων και υπηρεσιών.

Η Chicago Pneumatic είναι μια πολυεθνική εταιρεία η οποία προσφέρει μια ευρεία γκάμα πνευματικών και υδραυλικών εργαλείων, όπως θραυστήρες, γεωτρήματα, ματσακόνια, εκσκαφείς, σπαστήρες, λιθόσφυρες, αντλίες και πολλά άλλα.

Το 2001, η Chicago Pneumatic Tool Company γιόρτασε τα 100 χρόνια της ως πρωτοπόρος και ηγέτης της αγοράς στον τομέα των πνευματικών εργαλείων. Στόχος της Chicago Pneumatic ήταν πάντοτε η κατασκευή και διάθεση ισχυρών και αξιόπιστων προϊόντων που να είναι εύκολα στη χρήση και στη συντήρηση και που να έχουν την καλύτερη δυνατή αξία σε σχέση με το κόστος. Αυτή η φιλοσοφία μάς κατέστησε ηγέτες της αγοράς αεροεργαλείων στις ΗΠΑ.

Για περισσότερες πληροφορίες, επισκεφθείτε τη δικτυακή τοποθεσία [www.cp.com](http://www.cp.com)

## Σχετικά με τις οδηγίες ασφάλειας και χειρισμού

Σκοπός των οδηγιών είναι να σας προσφέρουν τις γνώσεις που απαιτούνται για το χειρισμό του αεροθραυστήρα με αποτελεσματικό και ασφαλή τρόπο. Οι οδηγίες παρέχουν επίσης συμβουλές και περιγράφουν τη διαδικασία εκτέλεσης τακτικής συντήρησης στον αεροθραυστήρα.

Πριν χρησιμοποιήσετε τον αεροθραυστήρα για πρώτη φορά, πρέπει να διαβάσετε αυτές τις οδηγίες προσεκτικά και να τις κατανοήσετε πλήρως.

## Οδηγίες ασφάλειας

Για να μειώσετε τον κίνδυνο πρόκλησης σοβαρού ή ακόμα και θανατηφόρου τραυματισμού στον εαυτό σας και σε άλλους, διαβάστε αυτές τις οδηγίες ασφάλειας πριν χρησιμοποιήσετε το μηχάνημα.

Αναρτήστε αυτό το έντυπο στους χώρους εργασίας, διανείμετε αντίγραφα του στους εργαζόμενους και βεβαιωθείτε ότι όλοι διαβάζουν αυτές τις οδηγίες ασφάλειας πριν χρησιμοποιήσουν ή πριν επισκευάσουν το μηχάνημα.

Συμμορφωθείτε με όλους τους κανονισμούς ασφάλειας.

## Λέξεις σημάτων ασφαλείας

Οι λέξεις σημάτων ασφαλείας «Danger» (Κίνδυνος), «Warning» (Προειδοποίηση) και «Caution» (Προσοχή) έχουν την ακόλουθη σημασία:

### KINΔYNOΣ

Υποδεικνύει μια επικίνδυνη κατάσταση που εάν δεν αποφευχθεί, θα προκαλέσει σοβαρού βαθμού ή θανατηφόρο τραυματισμό.

### ΠΡΟΕΙΔΟΠΟΙΗΣΗ

Υποδεικνύει μια επικίνδυνη κατάσταση που εάν δεν αποφευχθεί, μπορεί να προκαλέσει σοβαρού βαθμού ή θανατηφόρο τραυματισμό.

### ΠΡΟΣΟΧΗ

Υποδεικνύει μια επικίνδυνη κατάσταση που εάν δεν αποφευχθεί, μπορεί να προκαλέσει ελαφρού ή μετρίου βαθμού τραυματισμό.

## Προσωπικές προφυλάξεις και πιστοποιήσεις

Ο χειρισμός και η συντήρηση του μηχανήματος πρέπει να γίνεται μόνον από εξουσιοδοτημένα και εκπαιδευμένα άτομα. Να χρησιμοποιείτε πάντοτε κοινή λογική και καλή κρίση.

### Ατομικός προστατευτικός εξοπλισμός

Να χρησιμοποιείτε πάντοτε εγκεκριμένο προστατευτικό εξοπλισμό. Οι χειριστές και όλα τα άλλα άτομα που βρίσκονται στο χώρο εργασίας πρέπει να φορούν προστατευτικό εξοπλισμό που να περιλαμβάνει τουλάχιστον τα εξής:

- > Προστατευτικό κράνος
- > Ωτοασπίδες
- > Προστατευτικά γυαλιά ανθεκτικά στην κρούση με πλευρική προστασία

- > Συσκευή προστασίας της αναπνοής, όταν χρειάζεται
- > Προστατευτικά γάντια
- > Κατάλληλες προστατευτικές μπότες
- > Κατάλληλη φόρμα εργασίας ή παρόμοιο ένδυμα (με σφικτή εφαρμογή στο σώμα) που να καλύπτει τα χέρια και τα πόδια.

### Ναρκωτικά, αλκοόλ, φάρμακα

#### ▲ ΠΡΟΕΙΔΟΠΟΙΗΣΗ Ναρκωτικά, αλκοόλ, φάρμακα

Τα ναρκωτικά, το αλκοόλ και τα φάρμακα μπορεί να επηρεάσουν αντίξοα την κρίση σας και την ικανότητα συγκέντρωσης. Κακές αντιδράσεις και λανθασμένες εκτιμήσεις μπορούν να οδηγήσουν σε σοβαρά ατυχήματα ή θάνατο.

- ▶ Μη χρησιμοποιείτε ποτέ το μηχάνημα εάν είστε κουρασμένοι ή υπό την επήρεια ναρκωτικών, αλκοόλ ή φαρμάκων.
- ▶ Δεν επιτρέπεται ο χειρισμός του μηχανήματος από άτομα που βρίσκονται υπό την επήρεια ναρκωτικών, αλκοόλ ή φαρμάκων.

## Εγκατάσταση, προφυλάξεις

### ▲ KINΔYNOΣ Μη ελεγχόμενες κινήσεις του ελαστικού σωλήνα

Αν ένας ελαστικός σωλήνας συμπιεσμένου αέρα χαλαρώσει στα σημεία σύνδεσης ενώ βρίσκεται υπό πίεση, μπορεί να κινηθεί με μεγάλη ταχύτητα και δύναμη και να προκαλέσει σοβαρό ή θανατηφόρο τραυματισμό.

- ▶ Βεβαιωθείτε ότι ο ελαστικός σωλήνας συμπιεσμένου αέρα και οι συνδέσεις δεν έχουν υποστεί ζημιά.
- ▶ Βεβαιωθείτε ότι όλες οι συνδέσεις συμπιεσμένου αέρα είναι κατάλληλα προσαρτημένες.
- ▶ Μην αποπειραθείτε ποτέ να αποσυνδέσετε έναν ελαστικό σωλήνα συμπιεσμένου αέρα όταν βρίσκεται υπό πίεση. Πρώτα διακόψτε την παροχή συμπιεσμένου αέρα στο συμπιεστή και κατόπιν εξαερώστε το μηχάνημα ενεργοποιώντας τη συσκευή εκκίνησης και διακοπής λειτουργίας.
- ▶ Μη στρέφετε ποτέ έναν ελαστικό σωλήνα συμπιεσμένου αέρα προς το σώμα σας ή προς την κατεύθυνση άλλου ατόμου. Για να αποφύγετε τον κίνδυνο τραυματισμού, μη χρησιμοποιείτε ποτέ συμπιεσμένο αέρα για να απομακρύνετε βρομιά, σκόνη κ.λπ. από τα ρούχα σας.



### ▲ ΠΡΟΕΙΔΟΠΟΙΗΣΗ Εκτίναξη εργαλείου εισαγωγής

Εάν ο συγκρατητήρας του εργαλείου στο μηχάνημα δεν είναι στην ασφαλισμένη θέση, το εργαλείο μπορεί να εκτιναχτεί με δύναμη και να προκαλέσει τραυματισμό.

- ▶ Μην ξεκινάτε ποτέ το μηχάνημα ενώ αλλάζετε το εργαλείο εισαγωγής.
- ▶ Πριν αλλάξετε το εργαλείο εισαγωγής, σταματήστε το μηχάνημα, διακόψτε την παροχή συμπιεσμένου αέρα και εξαερώστε το μηχάνημα ενεργοποιώντας το μηχανισμό εκκίνησης/τερματισμού λειτουργίας.
- ▶ Μη στρέφετε ποτέ το εργαλείο εισαγωγής προς το σώμα σας ή προς την κατεύθυνση άλλου ατόμου.
- ▶ Να βεβαιώνετε ότι το εργαλείο έχει εισαχθεί πλήρως και ότι ο συγκρατητήρας του εργαλείου είναι στην ασφαλισμένη θέση πριν θέσετε σε λειτουργία το μηχάνημα.
- ▶ Να ελέγχετε τη λειτουργία ασφάλισης τραβώντας το τοποθετημένο εργαλείο απότομα προς τα έξω.

### ▲ ΠΡΟΕΙΔΟΠΟΙΗΣΗ Μετακινούμενο ή ολισθαίνον εργαλείο εισαγωγής

Εάν οι διαστάσεις του στελέχους του εργαλείου εισαγωγής δεν είναι κατάλληλες, μπορεί το εργαλείο εισαγωγής να χαθεί ή να γλιστρήσει και να βγει κατά τη λειτουργία. Υπάρχει κίνδυνος σοβαρού τραυματισμού ή σύνθλιψης των χεριών και των δακτύλων.

- ▶ Να βεβαιώνετε ότι το εργαλείο εισαγωγής έχει μήκος στελέχους και διαστάσεις που αντιστοιχούν στο μηχάνημα.
- ▶ Μη χρησιμοποιείτε ποτέ ένα εργαλείο εισαγωγής χωρίς κολάρο.

## Χειρισμός, προφυλάξεις

### ▲ ΚΙΝΔΥΝΟΣ Κίνδυνος έκρηξης

Εάν ένα εργαλείο εισαγωγής έλθει σε επαφή με εκρηκτικά υλικά ή εκρηκτικά αέρια, ενδέχεται να προκληθεί έκρηξη. Κατά την εργασία με ορισμένα υλικά μπορεί να προκύψουν σπινθήρες και ανάφλεξη. Οι εκρήξεις μπορούν να προκαλέσουν σοβαρό τραυματισμό ή και θάνατο.

- ▶ Μη χειρίζεστε ποτέ το μηχάνημα σε εκρήξιμο περιβάλλον.
- ▶ Μη χρησιμοποιείτε ποτέ το μηχάνημα κοντά σε εύφλεκτα υλικά, αναθυμιάσεις ή σκόνη.
- ▶ Να βεβαιώνετε ότι δεν υπάρχουν αέρια ή εκρηκτικά άγνωστης προέλευσης.

### ▲ ΠΡΟΕΙΔΟΠΟΙΗΣΗ Μη αναμενόμενες κινήσεις

Το εργαλείο που έχει εισαχθεί, υποβάλλεται σε βαριά καταπόνηση κατά τη χρήση του μηχανήματος. Το εργαλείο μπορεί να σπάσει λόγω κόπωσης μετά από κάποιο διάστημα χρήσης. Εάν το εργαλείο σπάσει ή κολλήσει, μπορεί να προκληθούν ξαφνικές και μη αναμενόμενες κινήσεις του μηχανήματος με πιθανή συνέπεια τον τραυματισμό του χειριστή. Επιπλέον, ενδέχεται να τραυματιστείτε εάν χάσετε την ισορροπία σας ή γλιστρήσετε.

- ▶ Να βεβαιώνετε ότι η θέση σας είναι πάντοτε σταθερή, έχοντας τα πόδια σας σε απόσταση ίση με το πλάτος των ώμων σας και διατηρώντας το βάρος του σώματός σας σε ισορροπία.
- ▶ Να επιθεωρείτε πάντοτε τον εξοπλισμό πριν από τη χρήση. Μη χρησιμοποιείτε ποτέ τον εξοπλισμό, εάν υποψιάζεστε ότι έχει υποστεί ζημιά.
- ▶ Να βεβαιώνετε ότι οι λαβές είναι καθαρές, χωρίς γράσο ή λάδι.
- ▶ Να κρατάτε τα πόδια σας μακριά από το εργαλείο εισαγωγής.
- ▶ Να στέκεστε σταθερά και να στηρίζετε πάντοτε στο μηχάνημα και με τα δύο χέρια.
- ▶ Μην ξεκινάτε ποτέ το μηχάνημα όταν βρίσκεται στο έδαφος.
- ▶ Μην «καβαλικεύετε» ποτέ το μηχάνημα με το ένα πόδι πάνω από τη λαβή.
- ▶ Μην κτυπάτε ποτέ και μην κακομεταχειρίζεστε τον εξοπλισμό.
- ▶ Να ελέγχετε τακτικά το εργαλείο εισαγωγής για φθορά, καθώς και για ενδείξεις ζημιάς ή ορατές ρωγμές.

- ▶ Να δίνετε μεγάλη προσοχή και να παρακολουθείτε αυτό που κάνετε.

#### ▲ ΠΡΟΕΙΔΟΠΟΙΗΣΗ Κίνδυνος από το πυρίτιο

Η έκθεση στο κρυσταλλικό πυρίτιο (μερικές φορές ονομάζεται «σκόνη πυριτίου») λόγω των εργασιών θραύσης, διάτρησης ή σφυροκοπήματος ή άλλων δραστηριοτήτων στις οποίες χρησιμοποιούνται βράχοι, μπετόν, ασφαλτός ή άλλα υλικά, ενδέχεται να προκαλέσει πυριτίαση (μια σοβαρή ασθένεια των πνευμόνων), νόσους που σχετίζονται με την πυριτίαση, καρκίνο ή θάνατο. Το πυρίτιο (χαλαζία) είναι βασικό συστατικό των βράχων, της άμμου και των μεταλλικών ορυκτών. Για να ελαχιστοποιήσετε την έκθεση στο πυρίτιο:

- ▶ Να χρησιμοποιείτε τον κατάλληλο μηχανολογικό εξοπλισμό για να μειώνετε την ποσότητα του πυριτίου στον αέρα και τη συσσώρευση σκόνης στα μηχανήματα και στις επιφάνειες. Στα παραδείγματα εξοπλισμού αυτού του είδους περιλαμβάνονται: Συστήματα απαγωγής αερισμού και συλλογής σκόνης, ψεκαστήρες νερού και διάτρηση με χρήση υγρού. Να βεβαιώνετε ότι ο εξοπλισμός έχει εγκατασταθεί σωστά και συντηρείται σωστά.
- ▶ Να φοράτε, να συντηρείτε και να χρησιμοποιείτε σωστά εγκεκριμένους αναπνευστήρες προστασίας από σωματίδια όταν ο μηχανολογικός εξοπλισμός δεν είναι αρκετός για να μειώσει την έκθεση κάτω από τα επιτρεπτά όρια.
- ▶ Να συμμετέχετε στην παρακολούθηση του αέρα, στις ιατρικές εξετάσεις και στα προγράμματα εκπαίδευσης που προσφέρονται από τον εργοδότη σας ή επιβάλλονται από τη νομοθεσία.
- ▶ Στο χώρο εργασίας να φοράτε προστατευτικά ρούχα που πλένονται ή είναι μίας χρήσης. Να κάνετε ντους και να φοράτε καθαρά ρούχα πριν φύγετε από το χώρο εργασίας για να ελαχιστοποιείτε τη δική σας έκθεση στο πυρίτιο ή την έκθεση άλλων ατόμων, αυτοκινήτων, σπιτιών και άλλων χώρων.
- ▶ Ποτέ μην τρώτε, πίνετε ή καπνίζετε σε χώρους όπου υπάρχει σκόνη η οποία περιέχει κρυσταλλικό πυρίτιο.
- ▶ Να πλένετε τα χέρια και το πρόσωπό σας πριν φάτε, πιείτε ή καπνίσετε, μακριά από την περιοχή έκθεσης.
- ▶ Συνεργαστείτε με τον εργοδότη σας για να ελαχιστοποιήσετε την έκθεση στο πυρίτιο στο χώρο εργασίας σας.

#### ▲ ΠΡΟΕΙΔΟΠΟΙΗΣΗ Κίνδυνος από τη σκόνη

Ορισμένες σκόνες, αναθυμιάσεις ή άλλα αερομεταφερόμενα υλικά που δημιουργούνται κατά τη χρήση του μηχανήματος ενδέχεται να περιέχουν χημικές ουσίες οι οποίες είναι γνωστό στην Πολιτεία της Καλιφόρνιας ότι προκαλούν καρκίνο και γενετικές ανωμαλίες ή άλλες βλάβες στο αναπαραγωγικό σύστημα. Μερικά παραδείγματα τέτοιων χημικών ουσιών είναι τα εξής:

- > Κρυσταλλικό πυρίτιο, τσιμέντο και άλλα οικοδομικά υλικά.
- > Αρσενικό και χρώμιο από χημικά επεξεργασμένο ελαστικό.
- > Μόλυβδος από χρώματα που έχουν βάση το μόλυβδο.
- ▶ Για να μειώσετε την έκθεσή σας σε αυτές τις χημικές ουσίες, πρέπει να εργάζεστε σε καλά αεριζόμενους χώρους και να χρησιμοποιείτε εγκεκριμένο εξοπλισμό ασφαλείας, όπως μάσκες προστασίας από τη σκόνη ειδικά σχεδιασμένες για το φιλτράρισμα μικροσκοπικών σωματιδίων.

#### ▲ ΠΡΟΕΙΔΟΠΟΙΗΣΗ Εκτίναξη αντικειμένων

Κατά τη διάτρηση, σχίζεις ή άλλα σωματίδια από το υλικό με το οποίο εργάζεστε ενδέχεται να εκτιναχτούν και να προκαλέσουν τραυματισμό χτυπώντας το χειριστή ή άλλα άτομα.

- ▶ Να χρησιμοποιείτε εγκεκριμένο ατομικό προστατευτικό εξοπλισμό (και κυρίως ανθεκτικά σε κρούσεις γυαλιά ασφαλείας με πλευρική προστασία).
- ▶ Να βεβαιώνετε ότι κανένας άλλος, εκτός από το εξουσιοδοτημένο προσωπικό, δεν εισέρχεται στην περιοχή εργασίας.
- ▶ Να διατηρείτε το χώρο εργασίας ελεύθερο από αντικείμενα που δεν σχετίζονται με την εργασία σας.



### ▲ ΠΡΟΕΙΔΟΠΟΙΗΣΗ Κίνδυνοι από κραδασμούς

Η κανονική και σωστή χρήση του μηχανήματος εκθέτει το χειριστή σε κραδασμούς. Η τακτική και συχνή έκθεση σε κραδασμούς μπορεί να προκαλέσει, να συμβάλει ή να επιδεινώσει τραυματισμούς ή παθήσεις στα δάκτυλα, στα χέρια, στους καρπούς, στους βραχίονες, στους ώμους ή/και σε άλλα μέρη του σώματος του χειριστή και επίσης να προκαλέσει εξασθένηση ή/και μόνιμες βλάβες ή παθήσεις που μπορεί να αναπτυχθούν σταδιακά σε διάστημα εβδομάδων, μηνών ή ετών. Στους τραυματισμούς ή στις παθήσεις αυτού του είδους μπορεί να περιλαμβάνεται βλάβη στο σύστημα κυκλοφορίας του αίματος, βλάβη στο νευρικό σύστημα, βλάβη στις αρθρώσεις και ενδεχομένως βλάβη σε άλλες δομές του σώματος.

Εάν αισθανθείτε μούδιασμα, μυρμήγκιασμα, πόνο, αδεξιότητα ή αδυναμία στα χέρια σας ή παρατηρήσετε λεύκανση του δέρματος ή άλλα συμπτώματα οποιαδήποτε στιγμή, είτε όταν χειρίζεστε το μηχάνημα είτε όταν δεν το χειρίζεστε, σταματήστε τη χρήση του μηχανήματος και μην το χρησιμοποιήσετε ξανά, εάν πρώτα δεν ζητήσετε ιατρική συμβουλή. Εάν συνεχίσετε να χρησιμοποιείτε το μηχάνημα μετά την εμφάνιση οποιουδήποτε από αυτά τα συμπτώματα, ενδέχεται να αυξηθεί ο κίνδυνος να γίνουν τα συμπτώματα πιο σοβαρά ή/και μόνιμα.

Οι συμβουλές που ακολουθούν μπορεί να βοηθήσουν να μειωθεί η έκθεση του χειριστή σε κραδασμούς:

- ▶ Να αφήνετε το εργαλείο να κάνει τη δουλειά. Η λαβή σας πρέπει να είναι η ελάχιστη που απαιτείται για το σωστό έλεγχο και την ασφαλή λειτουργία του μηχανήματος.
- ▶ Όταν ο κρουστικός μηχανισμός είναι ενεργοποιημένος, η μοναδική επαφή που πρέπει να έχει το σώμα σας με το μηχάνημα είναι τα χέρια σας στη χειρολαβή/στις χειρολαβές. Να αποφεύγετε οποιαδήποτε άλλη επαφή, π.χ. να στηρίζετε οποιοδήποτε τμήμα του σώματός σας πάνω στο μηχάνημα ή να σκύβετε πάνω από το μηχάνημα προσπαθώντας να αυξήσετε την ασκούμενη δύναμη. Είναι επίσης σημαντικό να μην κρατάτε τη σκανδάλη πατημένη καθώς βγάξετε το εργαλείο από τη σπασμένη επιφάνεια εργασίας.

- ▶ Να βεβαιώνετε ότι το εργαλείο που έχει εισαχθεί είναι καλά συντηρημένο (και αρκετά αιχμηρό, εάν πρόκειται για κοπτικό εργαλείο), δεν είναι φθαρμένο και έχει το κατάλληλο μέγεθος. Τα εργαλεία εισαγωγής που δεν είναι καλά συντηρημένα ή είναι φθαρμένα ή δεν έχουν το κατάλληλο μέγεθος χρειάζονται περισσότερο χρόνο για να ολοκληρώσουν την εργασία (και συνεπώς αυξάνουν τη διάρκεια έκθεσης του χειριστή σε κραδασμούς) και ενδέχεται να προκαλέσουν ή να συμβάλουν στην έκθεση σε κραδασμούς υψηλότερης στάθμης.
- ▶ Σταματήστε αμέσως την εργασία σας εάν το μηχάνημα αρχίσει ξαφνικά να παρουσιάζει ισχυρούς κραδασμούς. Πριν συνεχίσετε την εργασία σας, εντοπίστε και εξαλείψτε την αιτία των αυξημένων κραδασμών.
- ▶ Μην πιάνετε, κρατάτε ή αγγίζετε το εργαλείο εισαγωγής όταν χρησιμοποιείτε το μηχάνημα.
- ▶ Να συμμετέχετε στην παρακολούθηση ή τον έλεγχο υγείας, στις ιατρικές εξετάσεις και στα προγράμματα εκπαίδευσης που προσφέρονται από τον εργοδότη σας ή επιβάλλονται από τη νομοθεσία.

Ανατρέξτε στη «Δήλωση συμμόρφωσης για θόρυβο και κραδασμούς» για το μηχάνημα, συμπεριλαμβανομένων των δηλωμένων τιμών για κραδασμούς και στις «Πρόσθετες πληροφορίες για κραδασμούς». Οι εν λόγω πληροφορίες βρίσκονται στο τέλος του κειμένου αυτών των οδηγιών ασφάλειας και χειρισμού.

- ◆ Να χρησιμοποιείτε τη συνιστώμενη πίεση αέρα όταν χρησιμοποιείτε το μηχάνημα. Υψηλότερη ή χαμηλότερη πίεση αέρα ενδέχεται να προκαλέσει υψηλότερη στάθμη κραδασμών.

### ▲ ΚΙΝΔΥΝΟΣ Κίνδυνος από το ηλεκτρικό ρεύμα

Το μηχάνημα δεν είναι ηλεκτρικά μονωμένο. Εάν το μηχάνημα έλθει σε επαφή με ηλεκτρικό ρεύμα, ενδέχεται να προκληθεί σοβαρού βαθμού ή θανατηφόρος τραυματισμός.

- ▶ Μη χρησιμοποιείτε ποτέ το μηχάνημα κοντά σε ηλεκτρικά καλώδια ή άλλη πηγή ηλεκτρισμού.
- ▶ Βεβαιωθείτε ότι δεν υπάρχουν κρυμμένα καλώδια ή άλλες πηγές ηλεκτρισμού στην περιοχή εργασίας σας.

### **▲ ΠΡΟΕΙΔΟΠΟΙΗΣΗ Κίνδυνος από κρυμμένα αντικείμενα**

Κατά τις εργασίες διάτρησης, τα κρυμμένα καλώδια και οι σωλήνες αποτελούν κίνδυνο σοβαρού τραυματισμού.

- ▶ Πριν χρησιμοποιήσετε το μηχάνημα, ελέγξτε την υφή του υλικού.
- ▶ Έχετε το νου σας για κρυμμένα καλώδια και σωληνώσεις π.χ. γραμμές ηλεκτρικού ρεύματος, τηλεφώνου, νερού, φυσικού αερίου και αποχέτευσης κ.λπ.
- ▶ Εάν το εργαλείο εισαγωγής σας δίνει την εντύπωση ότι έχει χτυπήσει ένα κρυμμένο αντικείμενο, σβήστε το μηχάνημα αμέσως.
- ▶ Βεβαιωθείτε ότι δεν υπάρχει κίνδυνος πριν συνεχίσετε.

### **▲ ΠΡΟΕΙΔΟΠΟΙΗΣΗ Ακούσια εκκίνηση**

Η ακούσια εκκίνηση του μηχανήματος ενδέχεται να προκαλέσει τραυματισμό.

- ▶ Να κρατάτε τα χέρια σας μακριά από το μηχανισμό εκκίνησης/τερματισμού λειτουργίας μέχρι να είστε έτοιμοι να ξεκινήσετε το μηχάνημα.
- ▶ Μάθετε πώς σβήνει το μηχάνημα σε περίπτωση έκτακτης ανάγκης.
- ▶ Να ελευθερώνετε αμέσως το μηχανισμό εκκίνησης/τερματισμού λειτουργίας σε όλες τις περιπτώσεις διακοπής της παροχής ρεύματος.
- ▶ Κάθε φορά που τοποθετείτε ή αφαιρείτε το εργαλείο εισαγωγής, να κλείνετε την παροχή αέρα και να αποσυνδέετε το μηχάνημα από την πηγή ρεύματος. Να εξαερώνετε το μηχάνημα πατώντας το μηχανισμό εκκίνησης/τερματισμού λειτουργίας.

### **▲ ΠΡΟΕΙΔΟΠΟΙΗΣΗ Κίνδυνος από θορύβους**

Η υψηλή στάθμη θορύβου ενδέχεται να προκαλέσει μόνιμη απώλεια της ακοής.

- ▶ Να χρησιμοποιείτε προστατευτικά ακοής σύμφωνα με τους κανονισμούς περί υγείας και ασφαλείας στους επαγγελματικούς χώρους.

## **Αποθήκευση, προφυλάξεις**

- ◆ Να φυλάσσετε το μηχάνημα και τα εργαλεία σε ασφαλή χώρο, κλειδωμένο και απρόσιτο στα παιδιά.

## **Συντήρηση, προφυλάξεις**

### **▲ ΠΡΟΕΙΔΟΠΟΙΗΣΗ Τροποποίηση μηχανήματος**

Οποιαδήποτε τροποποίηση του μηχανήματος ενδέχεται να προκαλέσει τραυματισμό σ' εσάς ή σε άλλα άτομα.

- ▶ Μην τροποποιήσετε ποτέ το μηχάνημα.
- ▶ Χρησιμοποιείτε μόνο γνήσια ανταλλακτικά και παρελκόμενα εγκεκριμένα από τη Chicago Pneumatic.

### **▲ ΠΡΟΣΟΧΗ Καυτό εργαλείο εισαγωγής**

Το άκρο του εργαλείου εισαγωγής θερμαίνεται πολύ κατά τη χρήση. Εάν το αγγίξετε, μπορεί να σας προκαλέσει έγκαυμα.

- ▶ Μην αγγίζετε ποτέ ένα καυτό εργαλείο εισαγωγής.
- ▶ Περιμένετε να κρυώσει το εργαλείο εισαγωγής πριν ξεκινήσετε οποιαδήποτε εργασία συντήρησης σε αυτό.



## Επισκόπηση

Για να μειώσετε τον κίνδυνο πρόκλησης σοβαρού ή θανατηφόρου τραυματισμού στον εαυτό σας ή σε άλλους, διαβάστε την ενότητα «Οδηγίες ασφάλειας» (βρίσκεται στις προηγούμενες σελίδες του παρόντος εγχειριδίου) πριν χρησιμοποιήσετε το μηχάνημα.

## Σχεδιασμός και λειτουργία

Ο πνευματικός θραυστήρας χειρός CP 0111 είναι σχεδιασμένος για ελαφρές έως μέτριες κατασκευαστικές εργασίες και εργασίες συντήρησης βιομηχανικών εγκαταστάσεων.

Τα μοντέλα CP 0111 CHLA και CP 0111 CHIT διαθέτουν λαβή σχήματος «D» και μπορούν να χρησιμοποιηθούν τόσο σε οριζόντια όσο και σε κάθετη θέση.

Δεν επιτρέπεται καμία άλλη χρήση.

Για να επιλέξετε το κατάλληλο εργαλείο εισαγωγής, ανατρέξτε στον κατάλογο ανταλλακτικών.

## Επιλογή του κατάλληλου αεροθραυστήρα για μία εργασία

Είναι σημαντικό να επιλέξετε το σωστό μέγεθος αεροθραυστήρα για την εργασία που πρόκειται να εκτελεστεί.

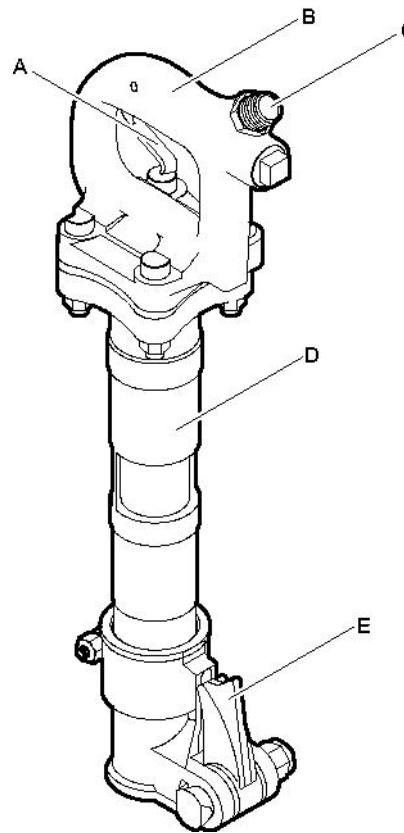
Ένας υπερβολικά μικρός αεροθραυστήρας σημαίνει ότι η εργασία θα έχει μεγαλύτερη διάρκεια.

Ένας υπερβολικά μεγάλος αεροθραυστήρας σημαίνει ότι θα υπάρχουν συχνές μετακινήσεις, με αποτέλεσμα να κουράζεται υπερβολικά ο χειριστής.

Ένας απλός κανόνας για την επιλογή του σωστού μεγέθους του αεροθραυστήρα είναι ότι ένα κομμάτι σπασμένου υλικού κανονικού μεγέθους θα πρέπει να αφαιρείται από το τεμάχιο εργασίας μετά από 10-20 δευτερόλεπτα λειτουργίας.

- > Εάν απαιτούνται λιγότερα από 10 δευτερόλεπτα, θα πρέπει να επιλεγεί μικρότερος αεροθραυστήρας.
- > Εάν απαιτούνται περισσότερα από 20 δευτερόλεπτα, θα πρέπει να επιλεγεί μεγαλύτερος αεροθραυστήρας.

## Κύρια μέρη

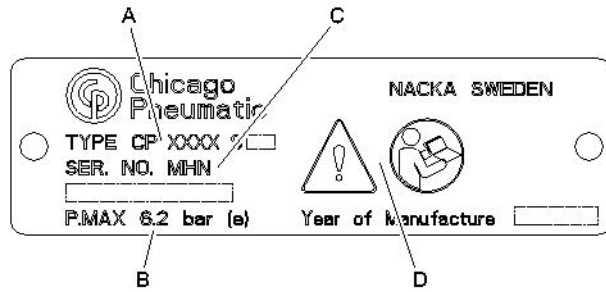


- A. Σκανδάλη
- B. Λαβή
- C. Είσοδος αέρα
- D. Κύλινδρος
- E. Μάνδαλο (συγκρατητήρας του εργαλείου)

## Σήματα και αυτοκόλλητες ετικέτες

Στο μηχάνημα υπάρχουν σήματα και αυτοκόλλητες ετικέτες που περιέχουν σημαντικές πληροφορίες σχετικά με την προσωπική ασφάλεια του χειριστή και τη συντήρηση του μηχανήματος. Τα σήματα και οι αυτοκόλλητες ετικέτες πρέπει να είναι πάντοτε ευανάγνωστα. Μπορείτε να παραγγείλετε νέα σήματα και αυτοκόλλητες ετικέτες από τον κατάλογο ανταλλακτικών.

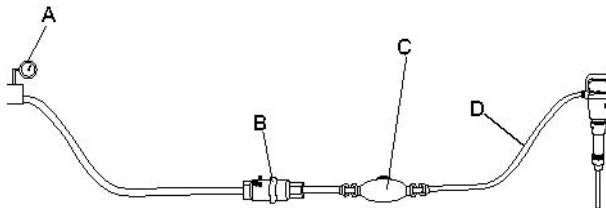
## Πανακίδα δεδομένων



- A. Τύπος μηχανήματος
- B. Μέγιστη επιτρεπόμενη πίεση συμπιεσμένου αέρα
- C. Σειριακός αριθμός
- D. Το προειδοποιητικό σύμβολο μαζί με το σύμβολο του βιβλίου σημαίνουν ότι ο χειριστής πρέπει να διαβάσει τις Οδηγίες ασφάλειας και χειρισμού πριν χρησιμοποιήσει το μηχάνημα για πρώτη φορά.

## Εγκατάσταση

### Εύκαμπτοι σωλήνες και συνδέσεις



- A. Παροχή συμπιεσμένου αέρα
- B. Διαχωριστής νερού (προαιρετικός)
- C. Λιπαντήρας (προαιρετικός)
- D. Μέγιστο 10 feet (3 m) εύκαμπτου σωλήνα συμπιεσμένου αέρα μεταξύ λιπαντήρα και μηχανήματος.

- ♦ Βεβαιωθείτε ότι χρησιμοποιείτε την κατάλληλη προτεινόμενη πίεση λειτουργίας, 87 psig (6 bar (e)).
- ♦ Μην υπερβαίνετε τη μέγιστη επιτρεπόμενη πίεση αέρα 90 psig (6,2 bar (e)).
- ♦ Φουσήξτε για να διώξετε τυχόν ακαθαρσίες από τον εύκαμπτο σωλήνα συμπιεσμένου αέρα πριν τον συνδέσετε στο μηχάνημα.
- ♦ Επιλέξτε τη σωστή διάσταση και το σωστό μήκος για τον εύκαμπτο σωλήνα συμπιεσμένου αέρα. Για μήκη εύκαμπτου σωλήνα έως 100 feet (30 m), θα πρέπει να χρησιμοποιηθεί εύκαμπτος σωλήνας με ελάχιστη εσωτερική διάμετρο 3/4 in. (19 mm). Εάν το μήκος του εύκαμπτου σωλήνα είναι 100-300 feet (30-90 m), θα πρέπει να χρησιμοποιηθεί εύκαμπτος σωλήνας με ελάχιστη εσωτερική διάμετρο 1 in. (25 mm).

## Μέθοδοι αποφυγής παγώματος

Ενδέχεται να σχηματιστεί πάγος στο σιγαστήρα όταν η θερμοκρασία αέρα του περιβάλλοντος είναι 32-50 °F (0-10 °C) και η σχετική υγρασία είναι υψηλή.

Το μηχάνημα είναι σχεδιασμένο να αποτρέπει το σχηματισμό πάγου στο σιγαστήρα. Ωστόσο, σε ακραίες συνθήκες, μπορεί να σχηματιστεί πάγος μέσα στο σιγαστήρα.

Λάβετε τα παρακάτω μέτρα για να αποφύγετε τον κίνδυνο σχηματισμού πάγου:

- ♦ Χρησιμοποιήστε ένα αεροεργαλείο που περιέχει αντιψυκτικούς παράγοντες.
- ♦ Χρησιμοποιήστε διαχωριστή νερού.

## Σύνδεση διαχωριστή νερού

Χρησιμοποιήστε έναν ελαστικό σωλήνα με το κατάλληλο μήκος μεταξύ συμπιεστή και διαχωριστή νερού για να διασφαλίσετε ότι οι υδρατμοί ψύχονται και συμπυκνώνονται στον ελαστικό σωλήνα πριν φτάσουν στο διαχωριστή νερού.

Εάν η θερμοκρασία περιβάλλοντος είναι μικρότερη από 32 °F (0 °C), ο ελαστικός σωλήνας πρέπει να έχει αρκετά μικρό μήκος ώστε το νερό να μην παγώνει πριν φτάσει στο διαχωριστή νερού.



## Λίπανση

### Λίπανση

Το λιπαντικό παίζει σημαντικό ρόλο στη λειτουργία του μηχανήματος και έχει μεγάλη επίδραση στην ωφέλιμη διάρκεια ζωής του. Για να παρέχεται η σωστή ποσότητα λαδιού, θα πρέπει να συνδεθεί ένας λιπαντήρας στον ελαστικό σωλήνα αέρα. Συνιστάται η χρήση λιπαντήρα γραμμής αέρα της Chicago Pneumatic. Για εγγυημένα καλή λίπανση, το μήκος του ελαστικού σωλήνα αέρα μεταξύ λιπαντήρα και αερόσφυρας δεν πρέπει να είναι μεγαλύτερο από 10 feet (3 μέτρα).

Η υπερβολική λίπανση μπορεί να προκαλέσει προβλήματα στην εκκίνηση, χαμηλή ισχύ ή διακυμάνσεις στην απόδοση.

Συνιστώμενο λιπαντικό: Λάδι για αεροεργαλεία με ιξώδες 100-150 SUS στους 100°F (ISO VG 22-32).

Συνιστάται το λάδι να περιέχει αντισκωριακό παράγοντα.

## Εργαλείο εισαγωγής

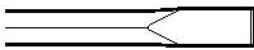
### Επιλογή του σωστού εργαλείου εισαγωγής

Η επιλογή του σωστού εργαλείου εισαγωγής είναι προϋπόθεση για τη σωστή λειτουργία του μηχανήματος. Είναι σημαντικό να επιλέγετε εργαλεία εισαγωγής υψηλής ποιότητας για να αποφεύγετε την πρόκληση ζημιάς στο μηχάνημα.

Το μηχάνημα μπορεί να καταστραφεί εάν χρησιμοποιήσετε ένα ακατάλληλο εργαλείο εισαγωγής.

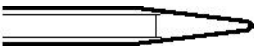
Τα προτεινόμενα εργαλεία εισαγωγής παρατίθενται στον κατάλογο ανταλλακτικών του μηχανήματος.

### Στενό κοπίδι



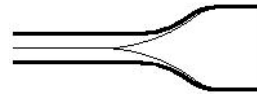
Το στενό κοπίδι χρησιμοποιείται σε εργασίες κατεδάφισης και κοπής σε μπετόν και σε άλλους τύπους σκληρών υλικών.

### Μυτερό κοπίδι



Το μυτερό κοπίδι χρησιμοποιείται μόνο για τη δημιουργία οπών σε μπετόν και σε άλλους τύπους σκληρών υλικών.

### Πλατύ κοπίδι

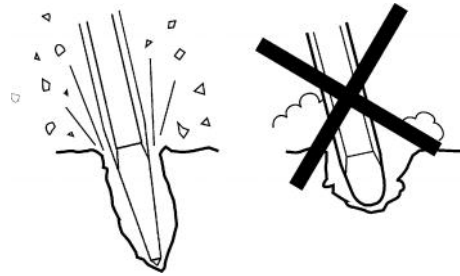


Το πλατύ κοπίδι χρησιμοποιείται σε μαλακά υλικά, όπως η ασφαλτος και το παγωμένο έδαφος.

### ▲ ΠΡΟΕΙΔΟΠΟΙΗΣΗ Κίνδυνος από κραδασμούς

Εργαλεία που δεν πληρούν τα προαναφερθέντα κριτήρια χρειάζονται περισσότερο χρόνο για να ολοκληρώσουν την εργασία και ενδέχεται να προκαλέσουν αύξηση της στάθμης των κραδασμών στους οποίους εκτίθεται ο χειριστής. Ένα φθαρμένο εργαλείο αυξάνει το χρόνο εργασίας.

- ▶ Να βεβαιώνετε ότι το εργαλείο εισαγωγής είναι σωστά συντηρημένο, δεν είναι φθαρμένο και έχει το κατάλληλο μέγεθος.
- ▶ Να χρησιμοποιείτε πάντοτε αιχμηρό εργαλείο για να μπορείτε να εργάζεστε αποτελεσματικά.

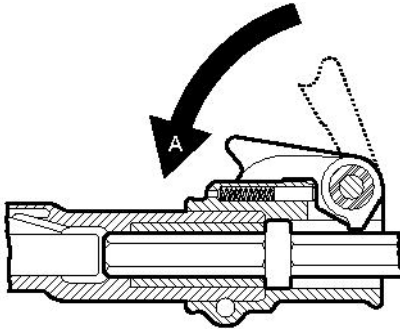


### Τοποθέτηση και αφαίρεση του εργαλείου εισαγωγής

Όταν τοποθετείτε/αφαιρείτε το εργαλείο εισαγωγής πρέπει να εφαρμόζετε τις ακόλουθες οδηγίες:

1. Για να αποτρέψετε ενδεχόμενη ακούσια εκκίνηση: Σβήστε την παροχή αέρα και αποσυνδέστε το μηχάνημα από την πηγή ρεύματος. Να εξαρώνετε το μηχάνημα πατώντας το μηχανισμό εκκίνησης/τερματισμού λειτουργίας.
2. Πριν από την εισαγωγή ενός εργαλείου, πρέπει να λιπάνετε το στέλεχος του εργαλείου με γράσο.
3. Τοποθετήστε/αφαιρέστε το εργαλείο εισαγωγής.

4.



Κλείστε το συγκρατητήρα του εργαλείου (θέση A) και ελέγξτε τη λειτουργία ασφάλισης τραβώντας το τοποθετημένο εργαλείο απότομα προς τα έξω.

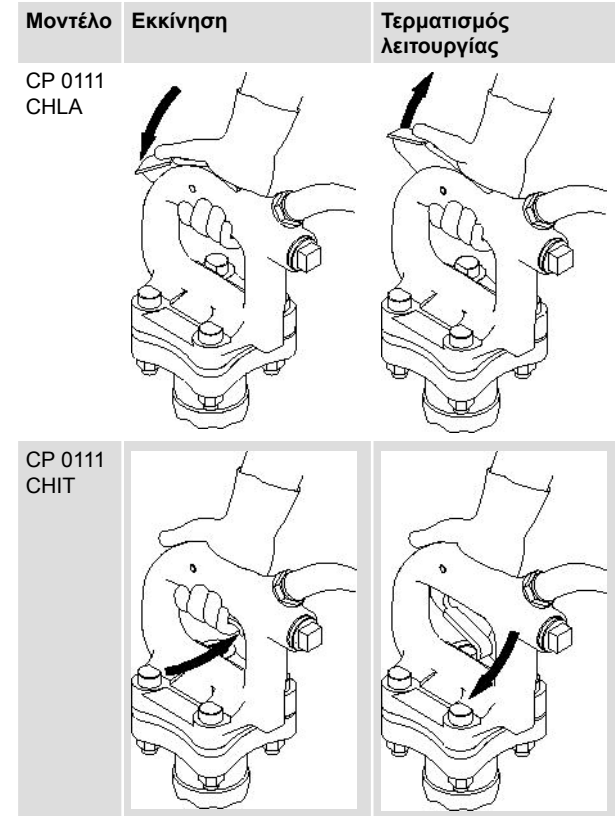
## Χειρισμός

### ▲ ΠΡΟΕΙΔΟΠΟΙΗΣΗ Ακούσια εκκίνηση

Η ακούσια εκκίνηση του μηχανήματος ενδέχεται να προκαλέσει τραυματισμό.

- ▶ Κρατήστε τα χέρια σας μακριά από το μηχανισμό εκκίνησης και διακοπής λειτουργίας μέχρι να είστε έτοιμοι να ξεκινήσετε το μηχάνημα.
- ▶ Μάθετε πώς σβήνει το μηχάνημα σε περίπτωση έκτακτης ανάγκης.
- ▶ Ελευθερώνετε αμέσως το μηχανισμό εκκίνησης και διακοπής λειτουργίας σε όλες τις περιπτώσεις διακοπής της παροχής ρεύματος.

## Εκκίνηση και τερματισμός λειτουργίας



- ◆ Ξεκινήστε το μηχάνημα πατώντας το μηχανισμό εκκίνησης/τερματισμού λειτουργίας ενώ κρατάτε σταθερά τη λαβή.
- ◆ Διακόψτε τη λειτουργία του μηχανήματος ελευθερώνοντας τη σκανδάλη. Ο μηχανισμός εκκίνησης/τερματισμού λειτουργίας επιστρέφει αυτόματα στη θέση τερματισμού λειτουργίας.

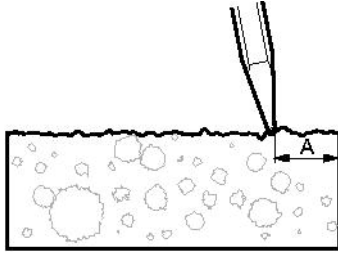
## Χειρισμός

### Έναρξη κοπής

- ◆ Σταθείτε σε σταθερή θέση με τα πόδια σας σε απόσταση από το εργαλείο εισαγωγής.
- ◆ Πιέστε το μηχάνημα πάνω στην επιφάνεια εργασίας πριν ξεκινήσετε.
- ◆ Η ταχύτητα λειτουργίας του μηχανήματος ελέγχεται μέσω της σκανδάλης.
- ◆ Αρχίστε να δημιουργείτε το κολάρο εφαρμογής σε τέτοια απόσταση από το άκρο του μηχανήματος, ώστε το μηχάνημα να είναι σε θέση να σπάσει το υλικό χωρίς να χρειάζεται στήριξη.



- ♦ Μην προσπαθήσετε ποτέ να σπάσετε υπερβολικά μεγάλα κομμάτια. Ρυθμίστε την απόσταση θραύσης (A) για να μην κολλήσει το εργαλείο εισαγωγής.



## Θραύση

- ♦ Αφήστε το μηχάνημα να κάνει τη δουλειά. Μην πιέζετε με υπερβολική δύναμη.
- ♦ Αποφεύγετε να εργάζεστε σε εξαιρετικά σκληρά υλικά, όπως ο γρανίτης και τα σίδερα ενίσχυσης (ράβδοι οπλισμού), που μπορούν να προκαλέσουν σημαντικούς κραδασμούς.
- ♦ Οποιαδήποτε μορφή λειτουργίας χωρίς φορτίο, χωρίς εργαλείο εισαγωγής ή με το μηχάνημα ανυψωμένο πρέπει να αποφεύγεται.
- ♦ Όταν το μηχάνημα είναι ανυψωμένο, ο μηχανισμός εκκίνησης/τερματισμού λειτουργίας δεν πρέπει να είναι ενεργοποιημένος.
- ♦ Να βεβαιώνετε τακτικά ότι το μηχάνημα λιπαίνεται ικανοποιητικά.

## Όταν κάνετε διάλειμμα

- ♦ Κατά τη διάρκεια των διαλειμμάτων πρέπει να απομακρύνετε το μηχάνημα ώστε να μην υπάρχει κίνδυνος ακούσιας εκκίνησης.
- ♦ Σε περίπτωση διαλείμματος μεγάλης διάρκειας ή όταν φεύγετε από το χώρο εργασίας: Διακόψτε την παροχή συμπιεσμένου αέρα στο συμπιεστή και κατόπιν εξαερώστε το μηχάνημα ενεργοποιώντας το μηχανισμό εκκίνησης και διακοπής λειτουργίας.

## Συντήρηση

Η τακτική συντήρηση είναι βασική προϋπόθεση για τη συνεχή, ασφαλή και αποτελεσματική χρήση του μηχανήματος. Ακολουθήστε τις οδηγίες χειρισμού προσεκτικά.

- ♦ Να χρησιμοποιείτε μόνο γνήσια ανταλλακτικά. Τυχόν ζημιά ή δυσλειτουργία οφειλόμενη στη χρήση μη εγκεκριμένων ανταλλακτικών δεν καλύπτεται από την Εγγύηση ή την Ευθύνη για το Προϊόν.
- ♦ Όταν καθαρίζετε μηχανικά εξαρτήματα με διαλυτικό, να συμμορφώνεστε με τους ισχύοντες κανονισμούς υγείας και ασφάλειας και να βεβαιώνετε ότι ο αερισμός είναι επαρκής.
- ♦ Για εκτεταμένες εργασίες σέρβις του μηχανήματος, επικοινωνήστε με το πλησιέστερο εξουσιοδοτημένο συνεργείο.

## Κάθε μέρα

Πριν εκτελέσετε εργασίες συντήρησης ή αλλάξετε το εργαλείο εισαγωγής σε μηχανήματα που λειτουργούν με συμπιεσμένο αέρα, να διακόπτετε πάντοτε την παροχή συμπιεσμένου αέρα και να εξαερώνετε το μηχάνημα πατώντας το μηχανισμό εκκίνησης και διακοπής λειτουργίας. Κατόπιν να αποσυνδέετε τον εύκαμπτο σωλήνα αέρα από το μηχάνημα.

- ♦ Να καθαρίζετε και να επιθεωρείτε το μηχάνημα καθημερινά.
- ♦ Να ελέγχετε το συγκρατητήρα του εργαλείου για φθορά και για τυχόν προβλήματα λειτουργίας.
- ♦ Να κάνετε μια γενική επιθεώρηση για διαρροές και ζημιές.
- ♦ Να βεβαιώνετε ότι το ρακόρ εισαγωγής αέρα είναι σφιγμένο και ότι η σύνδεση με σιαγόνες δεν έχει υποστεί ζημιά.
- ♦ Για να διατηρεί το μηχάνημα τις καθορισμένες τιμές κραδασμών, θα πρέπει να ελέγχονται πάντοτε τα εξής:  
Υπερβολικά μεγάλο διάκενο μεταξύ του στελέχους του εργαλείου εισαγωγής και του εδράνου του κοπιδιού θα παράγει αυξημένους κραδασμούς. Για να αποφεύγεται η έκθεση σε υπερβολικούς κραδασμούς, να ελέγχετε το έδρανο του κοπιδιού για φθορά καθημερινά.
- ♦ Να αντικαθιστάτε αμέσως τα βασικά εξαρτήματα που έχουν υποστεί ζημιά.
- ♦ Να αντικαθιστάτε εγκαίρως τα δευτερεύοντα εξαρτήματα που έχουν υποστεί ζημιά ή έχουν φθαρεί.

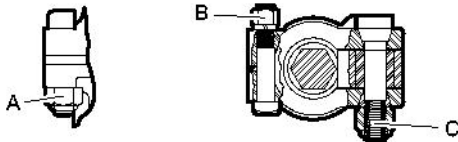
- ♦ Να βεβαιώνετε ότι ο συνδεδεμένος και ο σχετικός εξοπλισμός, όπως οι εύκαμπτοι σωλήνες, οι διαχωριστές νερού και οι συσκευές λίπανσης, συντηρούνται σωστά.

## Περιοδική συντήρηση

Μετά από κάθε περίοδο 150 ωρών κρουστικής λειτουργίας περίπου ή 2 φορές το χρόνο, το μηχάνημα πρέπει να αποσυναρμολογείται και όλα τα εξαρτήματα να καθαρίζονται και να ελέγχονται. Η εργασία αυτή πρέπει να εκτελείται από εξουσιοδοτημένο προσωπικό, εκπαιδευμένο σε εργασίες αυτού του είδους.

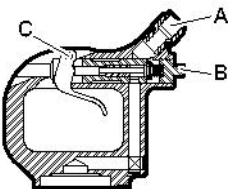
## Οδηγίες συναρμολόγησης

### CP 0111 γενικά



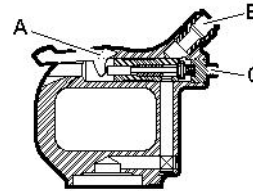
- A. Ροπή: 115-125 lbf.ft (156-169 Nm)
- B. Ροπή: 80-85 lbf.ft (109-115 Nm)
- C. Ροπή: 65-70 lbf.ft (88-95 Nm)

### CP 0111 CHIT



- A. Ροπή: 85-95 lbf.ft (115-128 Nm), χρησιμοποιήστε Loctite® 243™
- B. Ροπή: 85-95 lbf.ft (115-128 Nm)
- C. Αιχμηρό περίβλημα για τη συγκράτηση του πείρου.

### CP 0111 CHLA



- A. Αιχμηρό περίβλημα για τη συγκράτηση του πείρου.
- B. Ροπή: 85-95 lbf.ft (115-128 Nm), χρησιμοποιήστε Loctite® 243™
- C. Ροπή: 85-95 lbf.ft (115-128 Nm)

## Αντιμετώπιση προβλημάτων

Εάν ο αεροθραυστήρας δεν ξεκινά ή έχει χαμηλή παροχή ισχύος ή απόδοση με διακυμάνσεις, ελέγξτε τα ακόλουθα σημεία.

- ♦ Βεβαιωθείτε ότι το εργαλείο εισαγωγής που χρησιμοποιείται έχει τις σωστές διαστάσεις στελέχους.
- ♦ Βεβαιωθείτε ότι στον αεροθραυστήρα παρέχεται η σωστή ποσότητα λιπαντικού. Η υπερβολική λίπανση μπορεί να προκαλέσει προβλήματα στην εκκίνηση, χαμηλή ισχύ ή διακυμάνσεις στην απόδοση.
- ♦ Βεβαιωθείτε ότι το σύστημα συμπιεσμένου αέρα παρέχει στο μηχάνημα επαρκή πίεση αέρα για πλήρη ισχύ.
- ♦ Βεβαιωθείτε ότι οι διαστάσεις και το μήκος του εύκαμπτου σωλήνα αέρα συμφωνούν με τις συνιστώμενες τιμές. Βλ. «Εγκατάσταση».
- ♦ Εάν υπάρχει κίνδυνος σχηματισμού πάγου, βεβαιωθείτε ότι οι οπές εξαγωγής του μηχανήματος δεν είναι φραγμένες.
- ♦ Εάν το μηχάνημα εξακολουθεί να μη λειτουργεί ικανοποιητικά μετά από αυτήν τη διαδικασία, επικοινωνήστε με ένα εξουσιοδοτημένο συνεργείο σέρβις.



## Αποθήκευση

- > Καθαρίζετε σωστά το μηχάνημα πριν από τη φύλαξη.
- > Ρίξτε περίπου 1/2 oz (5 cl) λάδι απευθείας μέσα στο ρακόρ εισαγωγής αέρα, συνδέστε το μηχάνημα στην παροχή συμπιεσμένου αέρα και θέστε το μηχάνημα σε λειτουργία για μερικά δευτερόλεπτα.
- > Να αποθηκεύετε πάντοτε το μηχάνημα σε στεγνό χώρο.

## Απόρριψη

Ένα μεταχειρισμένο μηχάνημα πρέπει να απορρίπτεται με τέτοιο τρόπο ώστε το μεγαλύτερο μέρος των υλικών να μπορεί να ανακυκλώνεται και οι τυχόν αρνητικές επιπτώσεις στο περιβάλλον να ελαχιστοποιούνται.

## Τεχνικά δεδομένα

### Δεδομένα μηχανήματος

Μοντέλο	Διαστάσεις στελέχους in. (mm)	Κωδικός είδους	Βάρος lb (kg)	Μήκος in. (mm)	Κρουστική συχνότητα (Hz)	Κατανάλωση αέρα foot <sup>3</sup> /min (l/s)
CP 0111 CHLA	Hexagon 1x4 ¼ (25x108)	8900 0001 20	29,9 (13)	22 1/2 (572)	29-32	35-45 (17-21)
CP 0111 CHIT	Hexagon 7/8x3¼ (22x82,5)	8900 0001 41	29,9 (13)	22 13/16 (580)	29-32	35-45 (17-21)





**SUOMI****Sisällys**

<b>Johdanto</b> .....	119
<b>Tietoja turvallisuusohjeista ja käyttöohjeesta</b> .....	119
<b>Turvallisuusohjeet</b> .....	120
Turvasignaali-tekstit.....	120
Henkilökohtaiset varotoimenpiteet ja valmiudet.....	120
Asennus, varotoimenpiteet.....	120
Käyttö, varotoimenpiteet.....	121
Varastointi, varotoimenpiteet.....	123
Huolto, varotoimenpiteet.....	123
<b>Yleiskatsaus</b> .....	124
Rakenne ja toiminta.....	124
Työtehtävän edellyttämän iskuvasaran valinta.....	124
Tärkeimmät osat.....	124
Kilvet ja tarrat.....	124
<b>Asennus</b> .....	125
Letkut ja liitännät.....	125
Jäätymisen estämismenetelmiä.....	125
Vedenerottimen liittäminen.....	125
Voitelu.....	125
Työkalu.....	126
<b>Käyttö</b> .....	126
Käynnistys ja pysäytys.....	127
Työskentely.....	127
Poistuessasi tauolle.....	127
<b>Huolto</b> .....	127
Päivittäin.....	128
Määräaikaishuollot.....	128
Kokoamisohjeet.....	128
<b>Vianmääritys</b> .....	128
<b>Varastointi</b> .....	129
<b>Käytöstä poisto</b> .....	129
<b>Tekniset tiedot</b> .....	130
Koneen tiedot.....	130



## Johdanto

Kiitos, että valitsit Chicago Pneumaticin työkalu- ja palvelutoimittajaksi!

Chicago Pneumatic toimii kaikkialla maailmassa tarjoten laajan valikoiman paineilma- ja hydraulikäyttöisiä työkaluja kuten iskuvasaroita, kallioporakoneita, piikkauskoneita, paineilmakankia, betonihakkureita, pumppuja ja paljon muita.

Vuonna 2001 Chicago Pneumatic Tool Company juhli 100-vuotista toimintaansa paineilmantyökaluteollisuuden uranuurtajana ja markkinajohtajana. Chicago Pneumaticin päämääränä on ollut aina tarjota asiakkailleen tehokkaita, luotettavia ja helposti huollettavia sekä edullisia tuotteita. Tämän toimintaperiaatteen ansiosta olemme nykyisin USA:n johtava paineilmatyökalujen valmistaja.

Lisätietoa löydät osoitteesta [www.cp.com](http://www.cp.com)

## Tietoja turvallisuusohjeista ja käyttöohjeesta

Ohjeiden tarkoituksena on antaa tietoa iskuvasaran tehokkaasta ja turvallisesta käytöstä. Ohjeissa neuvotaan myös, miten tehdään iskuvasaran säännönmukaiset kunnossapitotoimenpiteet.

Ennen iskuvasaran käyttöönottoa sinun on perehdyttävä näihin ohjeisiin perusteellisesti.

## Turvallisuusohjeet

Perehdy näihin turvamääräyksiin, ennen kuin alat käyttää konetta. Turvamääräyksiä noudattamalla vältytään vakavilta vammautumisilta ja hengenvaaralta.

Toimita nämä turvamääräykset työkohteisiin ja anna työntekijöille kopiot. Varmista, että kaikki konetta käsittelevät perehtyvät turvamääräyksiin ennen koneen käyttöä tai huoltotöitä.

Noudata kaikkia turvallisuusmääräyksiä.

## Turvasignaali-tekstit

Turvasignaali-tekstit Vaara, Varoitus ja Huomio tarkoittavat seuraavaa:

<b>VAARA</b>	Välitön vaaratilanne, jonka laiminlyönti johtaa hengenvaaraan tai vakavaan vammautumiseen.
<b>VAROITUS</b>	Välitön vaaratilanne, jonka laiminlyönti voi johtaa hengenvaaraan tai vakavaan vammautumiseen.
<b>HUOMIO</b>	Mahdollinen vaaratilanne, jonka laiminlyönti voi johtaa vähäiseen tai lievään vammaan.

## Henkilökohtaiset varotoimenpiteet ja valmiudet

Vain ammattitaitoinen ja koulutettu henkilöstö saa käyttää konetta. Luota aina terveeseen järkeen ja älä tee mitään harkitsematonta.

### Henkilökohtainen suojarustus

Käytä aina hyväksytyjä suojarusteita. Koneen käyttäjän ja muiden työalueella olevien henkilöiden on käytettävä henkilösuojaimia, vähintään:

- > suojakypärää
- > kuulonsuojaimia
- > sivusuojilla varustettuja iskunkestäviä suojalaseja
- > hengityssuojaimia tilanteen sitä edellyttäessä
- > suojakäsineitä
- > asianmukaisia turvasaappaita
- > asianmukaisia työhaalareita tai vastaanvanlaisia vaatteita (ei löysiä), jotka peittävät käsivarret ja sääret.

## Huumeet ja alkoholin tai lääkkeiden käyttö

### ▲ VAROITUS Huumeet ja alkoholin tai lääkkeiden käyttö

Huumeet, alkoholi tai lääkkeet voivat heikentää arvostelukykyäsi ja keskittymistäsi. Reagointikyvyn heikkeneminen ja väärät tilannearviot voivat johtaa vakavaan vammautumiseen tai hengenvaaraan.

- ▶ Älä käytä konetta, jos olet väsynyt tai huumeiden, alkoholin tahi lääkkeiden vaikutuksen alaisena.
- ▶ Huumeiden, alkoholin tai lääkkeiden vaikutuksen alaisena oleva henkilö ei saa käyttää konetta.

## Asennus, varotoimenpiteet

### ▲ VAARA Ympäristöä piiskaava paineilmaletku

Irti päässyt paineilmaletku voi iskeytyä hallitsemattomasti ja aiheuttaa henkilövahingon tai hengenvaarallisia tilanteita.

- ▶ Tarkista, että paineilmaletku ja sen liittimet ovat ehjät.
- ▶ Tarkista, että paineilmaletkun kaikki liittimet ovat oikein paikallaan.
- ▶ Älä koskaan yritä irrottaa paineistettuna olevaa ilmaletkua liittännästä. Katkaise ensin paineilman tulo kompressorista ja tyhjennä sitten kone paineilmasta painamalla käynnistys- ja pysäytyslaitteen käyttökytkintä.
- ▶ Älä koskaan osoita paineistetulla ilmaletkulla itseäsi tai ketään muuta. Loukkaantumista välttämiseksi älä koskaan yritä puhdistaa pölyä tai likaa vaatteitasi paineilmalla.

### ▲ VAROITUS Voimakkaasti sinkoutuva työkalu

Jos koneen työkalun pidike ei ole lukittu asentoonsa, työkalu voi sinkoutua voimakkaasti ja aiheuttaa henkilövahinkoja.

- ▶ Älä koskaan käynnistä konetta kesken työkalun vaihtamista.
- ▶ Ennen työkalun vaihtamista pysäytä kone, kytke paineilmansyöttö pois päältä ja tyhjennä kone paineilmasta painamalla käyttökytkintä.
- ▶ Älä koskaan osoita työkalulla itseäsi tai ketään muuta.
- ▶ Varmista ennen koneen käynnistämistä, että työkalu on täydellisesti paikallaan ja työkalun pidike on lukitusasennossa.



- ▶ Tarkista lukitustoiminnon pitävyys vetämällä paikalleen työnnettyä työkalua voimakkaasti ulospäin.

### ▲ VAROITUS Liikkumaan pääsevä tai irtoava työkalu

Työkalun vääran mittaisen varren käyttö voi johtaa työkalun putoamiseen tai äkilliseen irtoamiseen. Vakavan henkilövahingon vaara tai käsien ja sormien puristumisvaara.

- ▶ Tarkista, että käytettävän työkalun varren pituus ja mitat vastaavat koneen käyttötarkoitusta.
- ▶ Älä käytä työkalua, jossa ei ole kauluskappaletta.

## Käyttö, varotoimenpiteet

### ▲ VAARA Räjähdyksivaara

Jos työkalu joutuu kosketuksiin räjähtävien aineiden tai kaasujen kanssa, seurauksena voi olla räjähdys. Tiettyjen materiaalien käsittelyn aikana saattaa ilmetä kipinöintiä ja materiaalin syttymistä. Räjähdykset johtavat vakavaan vammautumiseen tai hengenvaaraan.

- ▶ Älä koskaan käytä konetta räjähdysriskissä ympäristössä.
- ▶ Älä koskaan käytä konetta herkästi syttyvien materiaalien, höyryjen tai pölyn läheisyydessä.
- ▶ Varmista, että lähellä ei ole mitään piileviä kaasunpurkaus- tai räjähdysläheteitä.

### ▲ VAROITUS Odottamattomat liikkeet

Työkaluun kohdistuu koneen käytön aikana ankaraa rasitusta. Tietyn käyttöajan jälkeen työkalu voi rikkoutua materiaalin väsymisen johdosta. Jos työkalu rikkoutuu tai juuttuu, kone saattaa liikkua äkillisesti tai odottamattomaan suuntaan. Lisäksi tasapainon menetys tai liukastuminen voi johtaa henkilövahinkoon.

- ▶ Varmista, että sinulla on aina tukeva jalansija. Pyri säilyttämään mahdollisimman hyvä ja vakaa tasapaino pitämällä jalat riittävän etäällä toisistaan.
- ▶ Tutki laitteisto joka kerta ennen sen käyttöä. Älä koskaan käytä laitteistoa, jos epäilet sen olevan vaurioitunut.
- ▶ Varmista, että kahvat ovat puhtaat. Pyyhi pois mahdollinen rasva tai öljy.
- ▶ Pidä jalat etäällä työkalusta.
- ▶ Seiso vakaasti ja pidä aina molemmin käsin koneesta kiinni.

- ▶ Älä koskaan käynnistä konetta sen ollessa maassa pitkällään.
- ▶ Älä tukeudu koneeseen pitämällä jalkaa kahvan päällä.
- ▶ Älä koskaan lyö tai kolhi mitään laitteiston osaa tahallasi.
- ▶ Tarkasta työkalun kuluneisuus säännöllisesti. Tarkasta myös, onko siinä näkyviä murtumia tai muita vaurioita.
- ▶ Keskity työhön, jota teet.

### ▲ VAROITUS Kvartsipölyvaarat

Kallion, betonin, asfaltin ja muiden materiaalien murtamis-, poraus- ja piikkaustöissä on vaarana altistuminen kvartsipölylle, mikä aiheuttaa mm. kivipölykeuhkotautia (vakavaa keuhkosairautta), syöpää tai muita hengenvaarallisia keuhkosairauksia. Kvartsia esiintyy suuria määriä kalliassa, hiekassa ja malmeissa. Vältä altistuminen kvartsille toimimalla seuraavasti:

- ▶ Työkohteessa on käytettävä asianmukaisia ilmanvaihtolaitteistoja, joilla vähennetään kvartsin määrää ilmassa sekä pölyn kerääntymistä laitteiden ja pintojen päälle. Esimerkkejä puhdistuslaitteistoista ovat: alipaineiset ilmanvaihto- ja pölynkeruujärjestelmät, veden suihkuttaminen ja märkäporaus. Varmista, että puhdistuslaitteistot asennetaan ja huolletaan asianmukaisesti.
- ▶ Jos puhdistuslaitteistot eivät yksinään riitä pitämään päästöjä sallittujen arvojen puitteissa, käytä hyväksytyjä hengityssuojaimia, jotka huolletaan ja puhdistetaan säännöllisesti.
- ▶ Osallistu työnantajan järjestämiin ja lainsäädännön edellyttämiin terveystarkastuksiin sekä ilmanseuranta- ja koulutusohjelmiin.
- ▶ Käytä pestäviä tai kertakäyttöisiä suojavaatteita ollessasi työmaalla. Käy suihkussa ja vaihda puhtaat vaatteet ennen kuin lähdet työpaikalta, jotta sinä, muut ihmiset, autot, asunnot ja muut paikat eivät pääse altistumaan kvartsille.
- ▶ Älä koskaan syö, juo tai tupakoi alueilla, joissa ilmassa on kiteistä kvartsia tai muuta mineraalipölyä.
- ▶ Pese kätesi ja kasvosi ennen kuin syöt, juot tai tupakoi pölylle altistuneen alueen ulkopuolella.
- ▶ Toimi yhteistyössä työnantajasi kanssa, jotta kvartsille altistuminen voidaan välttää parhaalla mahdollisella tavalla työmaalla.

### ▲ VAROITUS Pölyn aiheuttamat vaaratilanteet

Koneiden käytön aikana syntyvät tietyt pölyt, huuрут tai muut hengitysilmaan kulkeutuvat ainesosat saattavat sisältää kemikaaleja, jotka Kalifornian osavaltion tietojen mukaan aiheuttavat syöpää sekä syntyville lapsille vaurioita tai muita ongelmia. Esimerkkejä tällaisista kemikaaleista:

- > Kiteinen kvartsi, sementti ja muut muuraustuotteet.
- > Kemiallisesti käsitellystä kumista erittyvä arseeni ja kromi.
- > Lyijypohjaisista maaleista erittyvä lyijy.
- ▶ Pyri välttämään altistuminen tällaisille kemikaaleille työskentelemällä hyvin tuuletetuilla alueilla ja käyttäen hyväksytyjä suojavarusteita, kuten erityisvalmisteisia kasv suojuksia, joilla suodatetaan hengitysilmaasta mikroskooppisia hiukkasia.

### ▲ VAROITUS Sinkoutuvat esineet

Töiden yhteydessä irtoavat kivensirut ja muut materiaalit voivat sinkoutua ympäristöön ja aiheuttaa osuessaan henkilövammoja käyttäjälle tai muille henkilöille.

- ▶ Käytä työssä aina hyväksytyjä henkilösuojaimia, mukaan lukien sivusuojuilla varustettuja, iskunkestäviä suojalaseja.
- ▶ Varmista, että sivulliset eivät pääse työalueelle.
- ▶ Pidä työskentelyalue vapaana vieraista esineistä.

### ▲ VAROITUS Tärinävaarat

Koneen normaali ja oikea käyttötapa altistaa käyttäjän tärinöille. Säännöllinen ja toistuva altistuminen tärinöille voi aiheuttaa, myötävaikuttaa tai pahentaa vammoja tai terveydentilaan liittyviä ongelmia, joita käyttäjän sormille, käsille, ranteille, käsivarsille, olkapäille ja/tai muille kehon osille aiheutuu. Tällaisia ovat myös lihasten ja raajojen yleinen rappeutuminen ja/tai pysyvät vammat tai terveydentilaan liittyvät ongelmat, jotka saattavat kehittyä vähitellen viikkojen, kuukausien tai vuosien kuluessa. Näihin vammoihin tai terveydellisiin ongelmiin voi sisältyä verenkiertojärjestelmän vaurioituminen, hermojärjestelmän vaurioituminen, nivelten vaurioituminen ja mahdolliset vauriot muille kehon osille ja rakenteille.

Jos havaitset puutumista, kihelmöintiä, kipua, kankeutta, otteen heikentymistä, ihon vaalenemista tai tuntoherkkyyden alenemista käyttäessäsi konetta ja myös silloin, kun et käytä konetta, keskeytä työnteko ja käänny lääkärin puoleen. Koneen käytön jatkaminen mainittujen oireiden ilmenemisen jälkeen voi johtaa oireiden kehittymiseen vakaviksi ja/tai pysyviksi.

Koneen käyttäjän altistumista tärinöille voi lieventää seuraavilla toimenpiteillä:

- ▶ Anna koneen tehdä työ. Pidä kahvasta kiinni mahdollisimman hällästi varmistaen kuitenkin, että säilytät koneen hallinnan ja että sen käyttö on koko ajan turvallista.
- ▶ Kun iskumekanismi aktivoituu, pidä kiinni koneen kahvasta tai kahvoista vain käsilläsi. Älä kosketa koneeseen muulla kehollasi. Älä esimerkiksi tue konetta kehollasi ja älä yritä lisätä syöttövoimaa nojaamalla kehollasi konetta vasten. Älä koskaan pidä käynnistys- ja pysäytyslaitetta suotta painettuna vetäessäsi konetta irti rikutusta pinnasta.
- ▶ Varmista, että koneessa oleva työkalu on aina hyvin huollettu (myös terävä, jos kyseessä on leikkausterä), se ei ole kulunut ja on oikean kokoinen. Työn tekeminen kestää kauemmin (ja altistuminen tärinälle kestää myös kauemmin) huonosti huolletuilla, kuluneilla tai väärän kokoisilla työkaluilla, jolloin käyttäjä altistuu voimakkaammalle tärinälle tarpeettomasti.
- ▶ Jos kone alkaa yhtäkkiä tärinästä voimakkaasti, lopeta sen käyttäminen välittömästi. Ennen työn jatkamista selvitä ja korjaa lisääntyneiden tärinöiden syy.
- ▶ Älä koskaan tartu työkalusta äläkä kosketa sitä käyttäessäsi konetta.



- ▶ Osallistu työnantajan järjestämiin ja lainsäädännön edellyttämiin terveystarkastuksiin ja koulutusohjelmiin.

Lue myös kohdat “Melu- ja värinäarvot”, sekä “Lisätietoja värinäistä”. Nämä tiedot löytyvät tämän turvallisuus- ja käyttöohjeen lopusta.

- ◆ Käytä konetta vain suositellulla paineilmasyötön voimakkuudella. Liian suuri tai normaalia pienempi paineilma voi johtaa värinöiden lisääntymiseen.

### ▲ VAARA Sähkövirran aiheuttamat vaaratilanteet

Konetta ei ole eristetty sähköiskuja vastaan. Koneeseen kohdistuva sähkövirta saattaa johtaa vakavaan vammautumiseen tai hengenvaaraan.

- ▶ Älä koskaan käytä konetta sähköjohtojen tai muiden sähkölaitteiden lähellä.
- ▶ Varmista, että työskentelyalueella ei ole piileviä johtoja tai muita sähkölaitteita.

### ▲ VAROITUS Piilossa olevien esineiden aiheuttamat vaaratilanteet

Piilevät johdot tai putket aiheuttavat töiden yhteydessä vaaratilanteita, jotka voivat johtaa vakavaan vammautumiseen.

- ▶ Tarkista työstettävän materiaalin koostumus ennen töiden aloittamista.
- ▶ Pyri havaitsemaan mahdolliset piilevät sähköjohdot, vesi-, viemäri- ja kaasuputket sekä puhelinjohdot.
- ▶ Jos työkalu näyttää osuneen rakenteessa olevaan piilevään kohteeseen, sammuta kone välittömästi.
- ▶ Varmista ennen työn jatkamista, että vaaraa ei ole.

### ▲ VAROITUS Tahaton käynnistäminen

Koneen tahaton käynnistäminen saattaa aiheuttaa henkilövahingon.

- ▶ Koske käynnistys- ja pysäytyslaitteeseen vasta käynnistäessäsi konetta.
- ▶ Opettele koneen sammuttaminen hätätilanteessa.
- ▶ Vapauta käynnistys- ja pysäytyslaite välittömästi, jos koneen voimanlähteen käyttö estyy.
- ▶ Katkaise paineilmasyöttö ja irrota kone virtalähteestä aina kun asennat tai irrotat työkalua. Tyhjennä kone painamalla käynnistys- ja pysäytyslaitteen käyttökytkintä.

### ▲ VAROITUS Meluvaarat

Korkeat äänitasot voivat johtaa pysyvään kuulon menetykseen.

- ▶ Käytä työsuojelumääräysten mukaisia kuulosuojaimia.

## Varastointi, varotoimenpiteet

- ◆ Säilytä kone ja työkalut turvallisessa ja lukitussa paikassa poissa lasten ulottuvilta.

## Huolto, varotoimenpiteet

### ▲ VAROITUS Koneen muutostyöt

Jos koneeseen tehdään muutostöitä, seurauksena saattaa olla vakavia vammoja sekä itsellesi että muille.

- ▶ Älä koskaan tee koneeseen muutostöitä.
- ▶ Käytä aina Chicago Pneumaticin hyväksymiä alkuperäisiä varaosia ja lisätarvikkeita.

### ▲ HUOMIO Kuuma työkalu

Työkalun kärki kuumenee käytön aikana. Sen koskettaminen voi aiheuttaa palovammoja.

- ▶ Älä koskaan kosketa kuumaa työkalua.
- ▶ Ennen huoltotöiden aloittamista odota, kunnes työkalu on jäähtynyt.

## Yleiskatsaus

Ennen kuin alat käyttää konetta, perehdy oppaan edellisillä sivuilla olevaan, turvallisuusohjeita käsittelevään kohtaan. Turvallisuusohjeita noudattamalla vältytään vakavilta vammautumisilta ja hengenvaaralta.

## Rakenne ja toiminta

Käsi­käyttöinen CP 0111 -iskuvasara soveltuu kevyisiin ja keskiraskaisiin rakennus- ja kunnossapitotöihin.

CP 0111 CHLA ja CP 0111 CHIT on varustettu D-kahvalla, ja niitä voi käyttää sekä vaak- että pystysuunnassa.

Laitetta ei saa käyttää muihin töihin.

Käytä oikean työkalun valinnassa varaosaluetteloa.

## Työtehtävän edellyttämän iskuvasaran valinta

On tärkeää valita työtehtävän edellyttämä, oikeankokoinen iskuvasara.

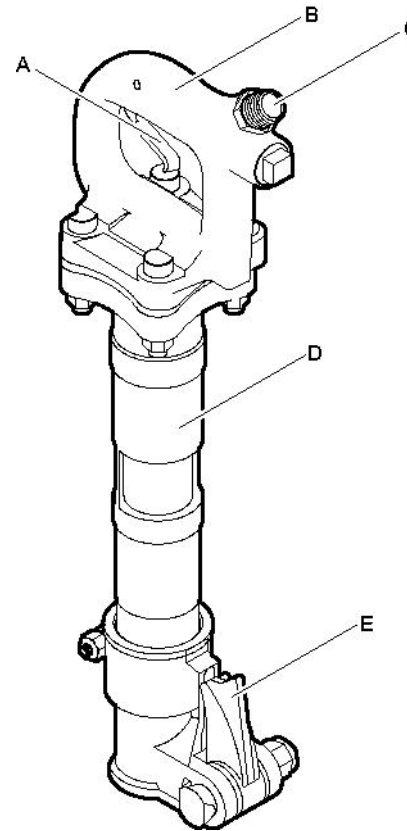
Liian pienen iskuvasaran valinta pidentää työntekoa.

Käytettäessä liian suurta vasaraa asentoa on vaihdettava usein, mikä on uuvuttavaa käyttäjälle.

Nyrkkisääntönä oikean kokoinen paineilmakäyttöisen iskuvasaran valintaan voidaan pitää, että normaalikokoinen murrettu materiaalipalan tulee irrota 10–20 sekunnin työskentelyn tuloksena.

- > Jos pala irtoaa alle 10 sekunnissa, on valittava pienempi iskuvasara.
- > Jos palan irrottaminen kestää yli 20 sekuntia, on valittava isompi iskuvasara.

## Tärkeimmät osat



- A. Liipaisin
- B. Kahva
- C. Ilmanotto
- D. Sylinteri
- E. Salpa (työkalunpidike)

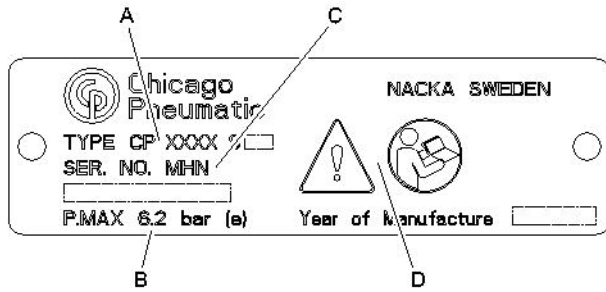
## Kilvet ja tarrat

Tässä koneessa on käyttöturvallisuuden kannalta tärkeät turva- ja huoltotarrat sekä -kilvet. Tarrojen ja kilpien on oltava aina luettavissa. Uusia tarroja ja kilpiä voi tilata varaosaluettelon avulla.





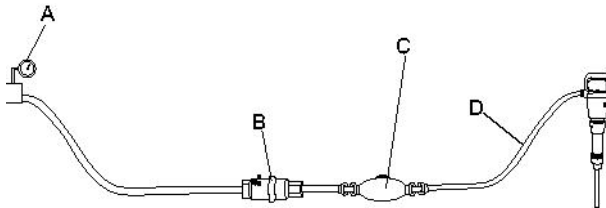
## Tietolevy



- A. Konetyyppi
- B. Suurin sallittu paineilman paine
- C. Sarjanumero
- D. Varoitussymboli ja kirjasyntoli tarkoittavat, että käyttäjän on perehdyttävä turvallisuusohjeisiin ja käyttöohjeeseen ennen koneen ensimmäistä käyttökertaa.

## Asennus

### Letkut ja liitännät



- A. Paineilmalähde
  - B. Vedenerotin (lisävaruste)
  - C. Öljyvoitelulaite (lisävaruste)
  - D. Enintään 10 feet (3 m) öljyvoitelulaitteen ja koneen välistä paineilmaletkua.
- ◆ Tarkista, että käytössä on valmistajan suosittelema käyttöpaine, 87 psig (6 bar (e)).
  - ◆ Koneen suurinta sallittua ilmanpainetta, 90 psig (6,2 bar (e)), ei saa ylittää.
  - ◆ Puhalla mahdolliset epäpuhtaudet paineilmaletkusta, ennen kuin liität sen koneeseen.

- ◆ Valitse oikeanmittainen ja -pituinen paineilmaletku. Jos tarvittava letku on enintään 30 metrin (100 feet) pituinen, on käytettävä letkua, jonka sisähalkaisija on vähintään 19 mm (3/4 in.). Jos letkun pituus on 30–90 metriä (100–300 feet), on käytettävä letkua, jonka sisähalkaisija on vähintään 25 mm (1 in.).

## Jäätymisen estämismenetelmiä

Äänenvaimentimeen saattaa muodostua jäätä, kun ympäristön lämpötila on 32-50 °F (0-10 °C) ja suhteellinen kosteus on korkea.

Kone on suunniteltu siten, että äänenvaimentimeen ei muodostu jäätä. Tästä huolimatta jäätä voi erittäin kylmässä säässä alkaa muodostua äänenvaimentimeen.

Jään muodostumista voi estää myös seuraavilla toimenpiteillä:

- ◆ Lisää paineilmatyökalun öljysäiliöön sopivaa jäätymisenestoainetta.
- ◆ Käytä vedenerotinta.

## Vedenerottimen liittäminen

Käytä kompressorin ja vedenerottimen välillä riittävän pitkää letkua, jotta vesihöyry ennättää jäähtyä ja tiivistyä letkussa ennen tuloaan vedenerottimeen.

Jos ympäristön lämpötila on alle 32 °F (0 °C), letkun on oltava riittävän lyhyt, jotta vesi ei ehdi jäätää letkussa ennen tuloaan vedenerottimeen.

## Voitelu

### Voitelu

Voitelu on tärkeää koneen toiminnan kannalta, ja se vaikuttaa merkittävästi koneen käyttöikään. Voitelulaitteen on tuotettava oikea määrä öljyä, ja siksi laite on liitettävä ilmaletkuun. Valmistaja suosittelee Chicago Pneumatin paineilmalinjan voitelulaitetta. Riittävän voitelun varmistamiseksi voitelulaitteen ja paineilmasarjan välinen letku saa olla enintään 10 feet (3 m) mittainen.

Liian suuri määrä voiteluainetta voi aiheuttaa käynnistysongelmia, tehon heikkenemistä tai epätasaisen suorituskyvyn.

Valmistajan voiteluainesuositus: Paineilmatyökalun öljyä, jonka viskositeetti on 100-150 SUS lämpötilassa 100 °F (ISO VG 22–32).

On suositeltavaa, että öljy sisältää ruosteenestoainetta.

## Työkalu

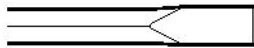
### Oikean työkalun valinta

Koneen kunnollisen toiminnan kannalta on ensiarvoisen tärkeää valita oikea työkalu. Turhien konevaurioiden estämiseksi on tärkeää valita korkealaatuiset työkalut.

**HUOM!** Kone voi vaurioitua korjauskelvottomaksi, jos siinä käytetään vääräntyyppistä työkalua.

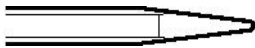
Valmistajan suosittelemat työkalut luetellaan koneen varaosaluettelossa.

### Kapea taltta



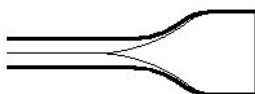
Kapea taltta sopii purku- ja leikkaustöihin, jossa käsitellään betonia ja muita kovia materiaaleja.

### Teräväkärkinen taltta



Teräväkärkistä talttaa käytetään vain reikien tekemiseen betoniin ja muihin koviin maa-aineksiin.

### Leveäkärkinen taltta

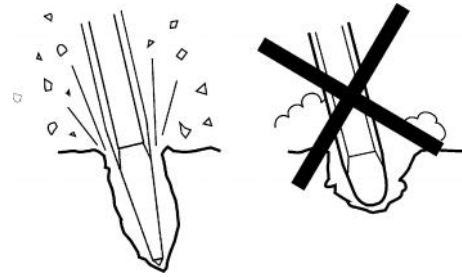


Leveäkärkistä talttaa käytetään pehmeiden materiaalien kuten asfaltin ja jäisen maan työstämiseen.

### ▲ VAROITUS Tärinävaarat

Työn tekeminen työkaluilla, jotka eivät täytä alla mainittuja kriteerejä, kestää kauemmin ja voi altistaa tärinälle. Lisäksi tylsynyt työkalu pidentää työskentelyaikaa.

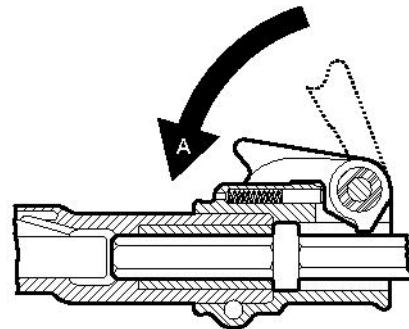
- ▶ Varmista, että koneessa oleva työkalu on aina hyvin huollettu, se ei ole kulunut ja on oikean kokoinen.
- ▶ Pidä työkalut aina terävinä, jolloin ne toimivat tehokkaasti.



### Työkalun asentaminen ja irrottaminen

Työkalua asennettaessa ja irrotettaessa on noudatettava seuraavia ohjeita:

1. Tahattoman käynnistymisen estäminen: katkaise paineilmasyöttö ja irrota kone virtalähteestä. Tyhjennä kone painamalla käynnistys- ja pysäytyslaitteen käyttökytkintä.
2. Ennen työkalun asettamista paikalleen voitele työkalun varsi rasvalla.
3. Asenna/irrota työkalu.
- 4.



Sulje työkalunpidike (asento A) ja tarkista lukitustoiminnon pitävyys vetämällä paikalleen työnnettyä työkalua voimakkaasti ulospäin.

## Käyttö

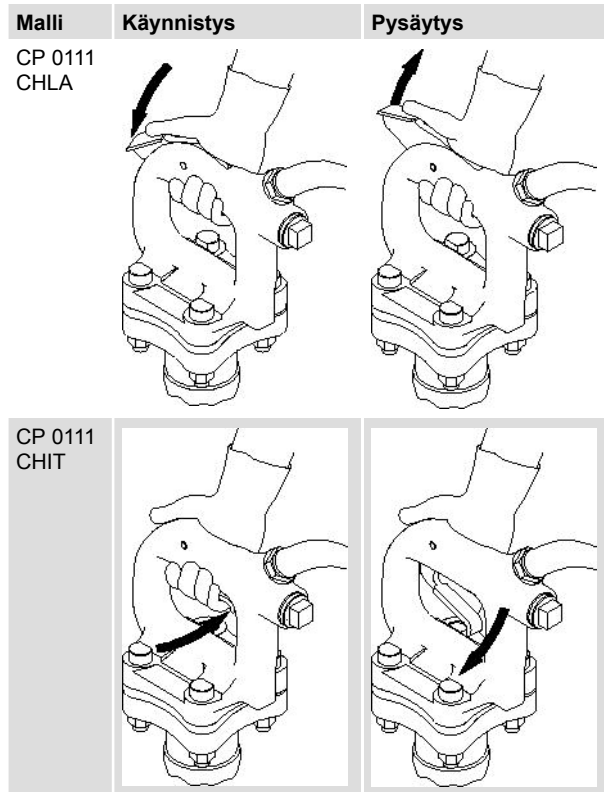
### ▲ VAROITUS Tahaton käynnistäminen

Koneen tahaton käynnistäminen saattaa aiheuttaa henkilövahingon.

- ▶ Koske käynnistys- ja pysäytyslaitteeseen vasta käynnistäessäsi konetta.
- ▶ Opettele koneen sammuttaminen hätätilanteessa.
- ▶ Vapauta käynnistys- ja pysäytyslaite välittömästi, jos koneen voimanlähteen käyttö estyy.



## Käynnistys ja pysäytys



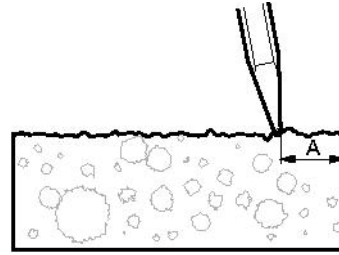
- ◆ Käynnistä kone pitämällä käynnistys- ja pysäytyslaitteesta tukevalla otteella ja puristamalla liipaisinta.
- ◆ Pysäytä kone vapauttamalla liipaisin. Käynnistys-pysäytyslaite palautuu automaattisesti pysäytysasentoon.

## Työskentely

### Työn aloittaminen

- ◆ Seiso vakaassa asennossa pitäen jalat etäällä työkalusta.
- ◆ Paina konetta työkohteeseen, ennen kuin aloitat.
- ◆ Koneen toimintanopeutta säädetään liipaisimella.
- ◆ Aloita porausreiän tekeminen sellaisella etäisyydellä reunasta, että kone pystyy murtamaan kohdetta ilman vipuvoimaa.

- ◆ Älä koskaan yritä murtaa liian isoja paloja. Säädä murtamisetäisyys (A) siten, että työkalu ei juutu kiinni.



### Murtaminen

- ◆ Anna koneen tehdä työt, älä paina liikaa.
- ◆ Vältä erittäin kovan materiaalin kuten graniitin ja betoniteräksen (betoniterästankojen) murtamista, sillä nämä materiaalit voivat aiheuttaa voimakasta tärinää.
- ◆ Tarpeetonta joutokäyntiä, koneen käyttöä ilman kiinnitystyökalua tai koneen käyttöä ylösnostettuna on vältettävä.
- ◆ Kun konetta nostetaan, käynnistys- ja pysäytyslaitteen käyttökytkintä ei saa painaa.
- ◆ Tarkista säännöllisesti, että koneen voitelu on riittävä.

## Poistuessasi tauolle

- ◆ Taukojen ajaksi kone on asetettava syrjään siten, että sitä ei voida käynnistää tahattomasti.
- ◆ Poistuessasi pidemmälle tauolle tai lähtiessäsi työpaikalta: katkaise ensin paineilman tulo kompressorista ja tyhjennä sitten kone paineilmasta painamalla käynnistys- ja pysäytyslaitteen käyttökytkintä.

## Huolto

Säännöllinen kunnossapito on koneen jatkuvasti turvallisen ja tehokkaan käytön perusedellytys. Noudata käyttöohjetta tarkkaan.

- ◆ Käytä ainoastaan hyväksytyjä varaosia. Muiden osien käytön aiheuttamat vahingot tai viat eivät kuulu takuun tai tuotevastuun piiriin.
- ◆ Puhdistaessasi mekaanisia osia liuottimella varmista, että työ tehdään voimassa olevien työsuojelumääräysten mukaisesti ja huolehdi riittävästä tuuletuksesta.
- ◆ Jos koneelle on tehtävä suuria huoltotöitä, ota yhteyttä lähimpään valtuutettuun huoltokorjaamoon.

## Päivittäin

Ennen paineilmakoneiden huoltotöiden aloittamista tai työkalun vaihtamista paineilman tulo on katkaistava ja kone on tyhjennettävä paineilmaista painamalla käynnistys- ja pysäytyslaitteen käyttökytkintä. Irrota sen jälkeen ilmaletku koneesta.

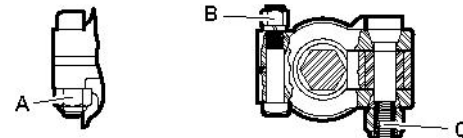
- ◆ Puhdista ja tutki kone päivittäin.
- ◆ Tarkasta työkalun pidike kuluneisuuden ja vikojen varalta.
- ◆ Tutki kaikki mahdolliset vuoto- ja vauriokohteet.
- ◆ Tarkista, että imuilman kara on tiukassa ja että sakarakytin on ehjä.
- ◆ Tarkista seuraavat kohteet, jotta koneen tärinäarvojen säilyminen oletusten mukaisina voidaan varmistaa:  
Työkalun varren ja taltan holkin välinen liian suuri väljyys lisää tärinöitä. Vältä tärinöiden kehittyminen liian suuriksi tarkistamalla taltan holkin kuluneisuus päivittäin.
- ◆ Uusi vaurioituneet osat viipymättä.
- ◆ Uusi vaurioituneet ja kuluneet koneenosat hyvissä ajoin.
- ◆ Varmista, että kaikki laitteiston osat, kuten letkut, vedenerottimet ja voitelulaitteet huolletaan oikein.

## Määräaikaishuollot

Kone on purettava, kaikki osat on puhdistettava ja tarkastettava noin 150 käyttötunnin välein tai kahdesti vuodessa. Työ on annettava asianmukaisen koulutuksen saaneen, valtuutetun henkilöstön tehtäväksi.

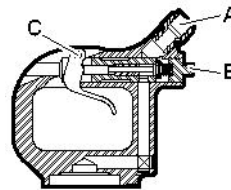
## Kokoamisohjeet

### CP 0111 yleistä



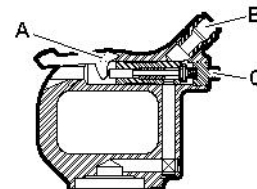
- A. Vääntömomentti: 115-125 lbf.ft (156-169 Nm)
- B. Vääntömomentti: 80-85 lbf.ft (109-115 Nm)
- C. Vääntömomentti: 65-70 lbf.ft (88-95 Nm)

### CP 0111 CHIT



- A. Vääntömomentti: 85-95 lbf.ft (115-128 Nm), käytä Loctite® 243™ -kierrelukitetta
- B. Vääntömomentti: 85-95 lbf.ft (115-128 Nm)
- C. Tapinlukituskotelo

### CP 0111 CHLA



- A. Tapinlukituskotelo
- B. Vääntömomentti: 85-95 lbf.ft (115-128 Nm), käytä Loctite® 243™ -kierrelukitetta
- C. Vääntömomentti: 85-95 lbf.ft (115-128 Nm)

## Vianmääritys

Jos iskuvasara ei käynnisty, se toimii heikosti tai on suorituskyvyltään epätasainen, vika voidaan paikantaa tarkastamalla seuraavat kohteet.



- ◆ Tarkista, että käytössä olevan työkalun varren mitoitus on oikea.
- ◆ Tarkista, että iskuvasara saa oikean määrän voiteluainetta. Liian suuri määrä voiteluainetta voi aiheuttaa käynnistysongelmia, tehon heikkenemistä tai epätasaisen suorituskyvyn.
- ◆ Tarkista, että paineilmajärjestelmästä tulee koneeseen riittävä ilmanpaine, jotta teho pysyy täysimääräisenä.
- ◆ Tarkista, että ilmaletkun mitoitus ja pituus ovat suositusten mukaiset. Katso kohta "Asennus".
- ◆ Jos on olemassa jäätymisvaara, tarkista, että koneen poistoaukoissa ei ole tukoksia.
- ◆ Jos koneen toiminta ei ole tyydyttävä näidenkään tarkistusten jälkeen, ota yhteyttä valtuutettuun huoltokorjaamoon.

## Varastointi

- > Puhdista kone asianmukaisesti ennen varastointia.
- > Kaada noin 1/2 oz (5 cl) öljyä suoraan imuilman karaan, liitä kone paineilman tuloliitäntään ja käytä konetta parin sekunnin ajan.
- > Säilytä konetta aina kuivassa paikassa.

## Käytöstä poisto

Käytetty kone käsitellään ja romutetaan siten, että mahdollisimman suuri määrä materiaalista voidaan kierrättää ja ympäristöhaitat pidetään mahdollisimman pieninä.



## Tekniset tiedot

### Koneen tiedot

Malli	Varren mitat in. (mm)	Osanumero	Paino lb (kg)	Pituus in. (mm)	Iskutaajuus (Hz)	Ilman kulutus foot <sup>3</sup> /min (l/s)
CP 0111 CHLA	6-kulma 1x4¼ (25x108)	8900 0001 20	29.9 (13)	22½ (572)	29–32	35–45 (17–21)
CP 0111 CHIT	6-kulma 7⁄8x3¼ (22x82,5)	8900 0001 41	29.9 (13)	22 13⁄16 (580)	29–32	35–45 (17–21)



**DANSK****Indhold**

<b>Indledning</b> .....	133
<b>Om disse sikkerhedsinstruktioner og betjeningsvejledningen</b> .....	133
<b>Sikkerhedsinstruktioner</b> .....	134
Sikkerhed, signalord .....	134
Personale, forholdsregler og kvalifikationer .....	134
Montering, forholdsregler .....	134
Betjening, forholdsregler .....	135
Opbevaring, forholdsregler .....	137
Vedligeholdelse, forholdsregler .....	137
<b>Oversigt</b> .....	138
Design og funktion .....	138
Valg af den rigtige tryklufthammer til opgaven .....	138
Hovedkomponenter .....	138
Skilte og mærkater .....	138
<b>Montering</b> .....	139
Slinger og tilslutninger .....	139
Metoder til forhindring af frysning .....	139
Tilslutning af en vandudskiller .....	139
Smøring .....	139
Indsætningsværktøj .....	140
<b>Betjening</b> .....	140
Start og stop .....	141
Betjening .....	141
Når der holdes pause .....	141
<b>Vedligeholdelse</b> .....	141
Hver dag .....	142
Periodisk vedligeholdelse .....	142
Monteringsinstruktioner .....	142
<b>Fejlfinding</b> .....	142
<b>Opbevaring</b> .....	143
<b>Bortskaffelse</b> .....	143
<b>Tekniske data</b> .....	144
Maskinens data .....	144





## Indledning

Tak fordi De har valgt Chicago Pneumatic som leverandør af værktøj og serviceydelser. Chicago Pneumatic er en verdensomspændende virksomhed, der tilbyder et bredt udvalg af pneumatisk og hydraulisk værktøj omfattende mejselhamre, borehamre, rusthamre, pumper og meget mere.

I 2001 kunne Chicago Pneumatic Tool Company fejre 100 år som pioner og førende på markedet inden for den pneumatisk værktøjsindustri. Chicago Pneumatic har altid fokuseret på levering af stærke og pålidelige produkter, der er lette at vedligeholde og som giver kunden værdi for pengene. Denne filosofi har gjort os førende på markedet for luftdrevet værktøj i USA.

Læs mere på [www.cp.com](http://www.cp.com)

## Om disse sikkerhedsinstruktioner og betjeningsvejledningen

Formålet med instruktionerne er at give Dem viden om, hvordan tryklufthammeren anvendes effektivt og sikkert. Vejledningen indeholder desuden gode råd og giver anvisninger på regelmæssig vedligeholdelse af tryklufthammeren.

Det er nødvendigt, at De læser denne vejledning omhyggeligt og forstår alle anvisningerne, før De anvender tryklufthammeren for første gang.

## Sikkerhedsinstruktioner

For at reducere risikoen for, at De selv eller andre kommer alvorligt til skade eller bliver dræbt, skal De læse disse sikkerhedsinstruktioner, før De arbejder med maskinen.

Slå denne/disse sikkerhedsinstruktioner op på de steder, hvor der arbejdes med maskinen, udlever kopier til Deres ansatte, og sørg for, at alle læser sikkerhedsinstruktionerne, før de arbejder med eller vedligeholder maskinen.

Overhold alle sikkerhedsregler.

## Sikkerhed, signalord

Signalordene Fare, Advarsel og Forsigtig har følgende betydninger:

<b>FARE</b>	Angiver en farlig situation, som, hvis den ikke forhindres, vil medføre død eller alvorlig tilskadekomst.
<b>ADVARSEL</b>	Angiver en farlig situation, som, hvis den ikke forhindres, kan medføre død eller alvorlig tilskadekomst.
<b>FORSIGTIG</b>	Angiver en farlig situation, som, hvis den ikke forhindres, kan medføre mindre eller moderat tilskadekomst.

## Personale, forholdsregler og kvalifikationer

Kun kvalificeret og trænet personale må betjene og vedligeholde maskinen. Brug altid sund fornuft og god dømmekraft.

### Personligt beskyttelsesudstyr

Anvend altid godkendt beskyttelsesudstyr. Operatører og alle andre personer i arbejdsområdet skal være iført beskyttelsesudstyr, herunder som et minimum:

- > Beskyttelseshjelm
- > Høreværn
- > Slagfaste beskyttelsesbriller med sidebeskyttelse
- > Åndedrætsværn når påkrævet
- > Beskyttelseshandsker
- > Passende sikkerhedsstøvler
- > Passende arbejdsdragt eller lignende beklædning (ikke løst siddende tøj), som dækker arme og ben.

## Narkotika, alkohol eller medicin

### ▲ ADVARSEL Narkotika, alkohol eller medicin

Narkotika, alkohol eller medicin kan påvirke Deres dømmekraft og koncentrationsevne. Nedsat reaktionsevne og forkerte vurderinger kan medføre alvorlige ulykker eller dødsfald.

- ▶ Brug aldrig maskinen når De er træt eller under indflydelse af narkotika, alkohol eller medicin.
- ▶ Ingen personer, der er under indflydelse af narkotika, alkohol eller medicin, må betjene maskinen.

## Montering, forholdsregler

### ▲ FARE Piskende luftslange

En trykluftslange der går løs, kan piske frem og tilbage og forårsage personskade eller dødsfald.

- ▶ Kontrollér, at trykluftslangen og -forbindelserne ikke er beskadigede.
- ▶ Kontrollér, at alle tryklufttilslutninger er ordentligt fastsat.
- ▶ Forsøg aldrig at aftage en trykluftslange, der er under tryk. Sluk først for trykluftten ved kompressoren, og afluft derefter maskinen ved at aktivere start/stop-anordningen.
- ▶ Ret aldrig en trykluftslange mod Dem selv eller andre. For at undgå risikoen for personskader, må trykluft aldrig benyttes til at blæse f.eks. støv, snavs eller lignende af tøj.

### ▲ ADVARSEL Udskudt indsætningsværktøj

Hvis værktøjsholderen på maskinen ikke står i låst position, kan værktøjet blive skudt ud med stor kraft og forårsage personskader.

- ▶ Start aldrig maskinen, mens indsætningsværktøjet skiftes.
- ▶ Før værktøjet udskiftes, stop maskinen og slå tryklufttilførslen fra, hvorefter maskinen skal udluftes ved at aktivere start/stop-anordningen.
- ▶ Ret aldrig indsætningsværktøjet mod Dem selv eller andre.
- ▶ Sørg for at værktøjet er ført helt ind og at værktøjsholderen står i låst position, før maskinen startes.
- ▶ Kontrollér låsefunktionen ved at trække det indsatte værktøj kraftigt udad.



### ▲ ADVARSEL Løstsiddende indsætningsværktøj

Hvis indsætningsværktøjets skaft ikke har den rigtige dimension, kan det resultere i, at indsætningsværktøjet tabes eller glider ud under arbejdet med fare for alvorlig tilskadekomst eller knuste hænder og fingre.

- ▶ Kontrollér, at værktøjsskaftet har den rette størrelse og længde i forhold til den bøsning der anvendes.
- ▶ Brug aldrig et indsætningsværktøj uden krave.

## Betjening, forholdsregler

### ▲ FARE Eksplosionsfare

Hvis et indsætningsværktøj kommer i kontakt med sprængstoffer eller eksplosive gasser, kan der ske en eksplosion. Ved arbejde med visse materialer kan der dannes gnister og antænding. Eksplosioner kan føre til svære skader eller dødsfald.

- ▶ Arbejd aldrig med maskinen i et eksplosionsfarligt miljø.
- ▶ Brug aldrig maskinen i nærheden af brændbare materialer, dampe eller støv.
- ▶ Kontrollér, at der ikke er skjulte kilder af gas eller sprængstoffer.

### ▲ ADVARSEL Uventede bevægelser

Det indsatte værktøj udsættes for kraftige påvirkninger, når maskinen bruges. Det indsatte værktøj kan knække på grund af metaltræthed efter nogen tids brug. Hvis det indsatte værktøj knækker eller sætter sig fast, kan der opstå uventede bevægelser, som kan medføre tilskadekomst. Desuden kan De komme til skade, hvis De mister balancen eller snubler.

- ▶ Sørg for altid at stå sikkert med en skulderbredde mellem fødderne og kropsvægten ligeligt fordelt.
- ▶ Inspicér altid udstyret før brug. Anvend aldrig udstyret, hvis De har mistanke om, at det er beskadiget.
- ▶ Sørg for at håndtagene er rene og fri for fedt og olie.
- ▶ Hold fødderne væk fra det indsatte værktøj.
- ▶ Stå fast, og hold altid fast i maskinen med begge hænder.
- ▶ Start aldrig maskinen, mens den ligger på jorden.
- ▶ Undlad at læne Dem op ad maskinen med det ene ben over håndtaget.

- ▶ Slå eller mishåndtér aldrig udstyret.
- ▶ Kontrollér regelmæssigt indsætningsværktøjet for slid, og kontrollér, om der er tegn på beskadigelse eller synlige revner.
- ▶ Vær opmærksom og se, hvad De laver.

### ▲ ADVARSEL Kvarts/støvrisko

Udsættes man for krystallinsk kvarts (undertiden kaldet 'kvartsstøv') i forbindelse med, at der brydes, bores, hamres eller foregår andre aktiviteter, som omfatter sten, beton, asfalt eller andre materialer, kan det forårsage silikose (en alvorlig lungesygdom), silikose-relaterede sygdomme, kræft eller død. Kvarts er en hovedbestanddel i sten, sand og mineralmalm. Sådan begrænses kvartspåvirkning:

- ▶ Anvend passende teknikker til begrænsning af mængden af kvarts i luften og ophobning af støv på udstyr og overflader. Eksempler på egnede teknikker: Udblæsningsventilation og støvopsamlingsystemer, vandforstøvere og vådboring. Sørg for, at de forskellige anordninger er monteret korrekt og vedligeholdes.
- ▶ Bær, vedligehold og brug godkendt åndedrætsværn med partikelfilter korrekt, når konstruktionsmæssig styring alene ikke er tilstrækkelig til at reducere udsættelsen til under de tilladte niveauer.
- ▶ Tag imod luftovervågning, lægeundersøgelser og træningsprogrammer i det omfang, det tilbydes af Deres arbejdsgiver, og når det er påbudt ved lov.
- ▶ Bær vaskbar eller engangsbeskyttelsesbeklædning på arbejdsstedet, og tag bad og skift til rent tøj, før arbejdspladsen forlades, for derved at begrænse kvartspåvirkning af Dem selv, andre mennesker, biler, hjem og andre områder.
- ▶ Undlad at spise, drikke eller anvende tobaksprodukter på områder, hvor der forekommer støv, som indeholder krystallinsk kvarts.
- ▶ Vask hænder og ansigt, før De spiser, drikker eller bruger tobaksprodukter uden for det udsatte område.
- ▶ Samarbejd med Deres arbejdsgiver om at begrænse kvartspåvirkningen på Deres arbejdsplads.

**▲ ADVARSEL Støvfare**

Nogle former for støv, dampe og andet luftbåret materiale, som opstår under arbejdet med maskinen, kan indeholde kemikalier, som myndighederne i Californien er bekendt med er kræftfremkaldende og kan forårsage medfødte misdannelser eller andet, som medfører skader på reproduktions- og arveanlæg. Nogle eksempler på sådanne materialer er:

- > Krystallinsk kvarts, cement og andre murværksmaterialer.
- > Arsenik og krom fra kemisk behandlet gummi.
- > Bly fra blybaseret maling.
- ▶ De kan beskytte Dem mod påvirkning af disse kemikalier ved at arbejde i områder med god udluftning og ved at arbejde med godkendt beskyttelsesudstyr som f.eks. støvmasker, som er specialkonstrueret til at frafiltrere mikroskopiske partikler.

**▲ ADVARSEL Projektiler/udskydning**

Når der arbejdes, kan splinter eller andre partikler fra det bearbejdede materiale blive til projektiler og forårsage skader, hvis de rammer operatøren eller andre personer.

- ▶ Brug godkendt personligt beskyttelsesudstyr, herunder stødafvisende øjenbeskyttelse med sidebeskyttelse.
- ▶ Sørg for, at uautoriseret personale ikke får adgang til arbejdsområdet.
- ▶ Hold arbejdsstedet rent og frit for fremmedlegemer.

**▲ ADVARSEL Vibrationsrisiko**

Normal og korrekt brug af maskinen udsætter operatøren for vibrationer. Udsættes man jævnligt og hyppigt for vibrationer, kan det forårsage eller bidrage til at forværre skader eller lidelser i operatørens fingre, hænder, arme, skuldre og/eller andre dele af kroppen, bl.a. svækkelse og/eller permanente skader eller lidelser, som kan udvikle sig gradvist over perioder på uger, måneder eller år. Sådanne skader eller lidelser kan f.eks. være kredsløbsskader, skader på nervesystemet, ledskader og muligvis skader på andre af kroppens strukturer. Hvis der på noget tidspunkt optræder følelsesløshed, snurren, smerter, nedsat behændighed, svækket greb, hvidfarvning af huden eller andre symptomer, uanset om det sker under arbejde med maskinen eller ikke, må der ikke arbejdes med maskinen igen, og der skal søges lægehjælp. Fortsat brug af maskinen efter, at der er forekommet symptomer af denne art, kan øge risikoen for, at symptomerne bliver svære og/eller permanente.

Følgende kan være med til at begrænse vibrationspåvirkning af operatøren:

- ▶ Lad værktøjet gøre arbejdet. Hold så let på maskinen, som behørig kontrol og sikker betjening tillader.
- ▶ Når slagfunktionen er aktiveret, bør Deres eneste kontakt med maskinen være Deres hænder på håndtaget/håndtagene. Undgå enhver anden kontakt, som f.eks. at støtte nogen del af kroppen mod maskinen eller at læne Dem mod maskinen i et forsøg på at forstærke slagkraften. Det er også vigtigt ikke at holde start- og stopudløseren spændt, mens værktøjet trækkes væk fra den overflade, der brydes.
- ▶ Kontrollér, at det indsatte værktøj er godt vedligeholdt (herunder dets skæreevne, hvis det er et skærende værktøj), ikke er udslidt, og at det har den rigtige størrelse. Hvis der anvendes indsætningsværktøjer, som ikke er ordentligt vedligeholdt, eller som er udslidte eller ikke har den rigtige størrelse, tager det længere tid at udføre arbejdet (og længere vibrationspåvirkning), som kan medføre eller bidrage til, at operatøren udsættes for højere vibrationsniveauer.
- ▶ Indstil straks arbejdet, hvis maskinen pludseligt begynder at vibrere kraftigt. Før arbejdet genoptages, skal årsagen til de forstærkede vibrationer findes og fjernes.
- ▶ Undlad altid at tage fat i, holde om eller røre ved det indsatte værktøj, når maskinen er i brug.



- ▶ Tag imod helbreds kontrol eller -overvågning, helbredsundersøgelser og træningsprogrammer, når det tilbydes af Deres arbejdsgiver, og når det er påbudt ved lov.

Se maskinens "Støj- og vibrationserklæring", de deklarerede vibrationsværdier og "Supplerende oplysninger om vibrationer". Disse oplysninger findes sidst i denne manual med sikkerhedsinstruktioner og betjeningsvejledning.

- ◆ Overhold det anbefalede lufttryk ved arbejde med maskinen. Hvis der arbejdes med et højere eller lavere lufttryk, kan det resultere i højere vibrationsniveauer.

### ▲ FARE Elektrisk fare

Maskinen er ikke elektrisk isoleret. Hvis maskinen kommer i kontakt med elektricitet, kan det resultere i alvorlige skader eller død.

- ▶ Brug aldrig maskinen i nærheden af en elektrisk ledning eller anden elektrisk kilde.
- ▶ Kontrollér, at der ikke er skjulte ledninger eller andre elektricitetskilder i arbejdsområdet.

### ▲ ADVARSEL Fare ved skjulte genstande

Når der arbejdes, udgør skjulte ledninger og rør en fare, som kan resultere i alvorlige skader.

- ▶ Kontrollér materialernes sammensætning før arbejdsstart.
- ▶ Pas på skjulte kabler og rør, f.eks. til elektricitet, telefon, vand, gas og spildevand etc.
- ▶ Hvis det ser ud til, at værktøjet har ramt en skjult genstand, skal der straks slukkes for maskinen.
- ▶ Før der fortsættes, skal det sikres, at der ikke er fare på færde.

### ▲ ADVARSEL Utsigtet start

Utsigtet start af maskinen kan forårsage skader.

- ▶ Hold hænderne væk fra start/stop-anordningen, indtil De er klar til at starte maskinen.
- ▶ Lær hvordan maskinen slås fra, hvis der opstår en nødsituation.
- ▶ Slip straks start/stop-anordningen, i alle tilfælde hvor kraftforsyningen afbrydes.
- ▶ Slå altid trykluft fra og afbryd maskinen ved kraftkilden, når indsætningsværktøjet på- eller afmonteres. Afluft maskinen ved at trykke på start/stop-anordningen.

### ▲ ADVARSEL Støjrisiko

Høje støjniveauer kan forårsage permanent tab af hørelse.

- ▶ Brug høreværn i overensstemmelse med arbejdsmiljø- og sikkerhedsforskrifterne.

## Opbevaring, forholdsregler

- ◆ Opbevar maskinen et sikkert sted, hvor den er uden for børns rækkevidde og låst inde.

## Vedligeholdelse, forholdsregler

### ▲ ADVARSEL Maskin-modificering

Enhver modifikation af hammeren kan medføre personskader på dig selv og andre.

- ▶ Modifier aldrig maskinen.
- ▶ Anvend kun originale dele og tilbehør, der er godkendt af Chicago Pneumatic.

### ▲ FORSIGTIG Varmt indsætningsværktøj

Indsætningsværktøjets spids bliver varm, når den bruges. Berøring kan medføre forbrændinger.

- ▶ Rør aldrig ved et varmt indsætningsværktøj.
- ▶ Vent indtil indsætningsværktøjet er kølet af, inden der udføres vedligeholdelsesarbejde.

## Oversigt

For at reducere risikoen for, at De selv eller andre bliver alvorligt skadet eller dræbt, skal De læse afsnittet med sikkerhedsinstruktioner på de foregående sider i denne håndbog, før De arbejder med maskinen.

## Design og funktion

Den håndholdte tryklufthammer, CP 0111, er beregnet til let- og mellemsvært konstruktions- og vedligeholdelsesarbejde.

CP 0111 CHLA og CP 0111 CHIT er udstyret med et D-håndtag, og kan bruges både vandret og lodret.

Ingen anden anvendelse er tilladt.

Det korrekte indsætningsværktøj vælges ved hjælp af reservedelslisten.

## Valg af den rigtige tryklufthammer til opgaven

Det er vigtigt at vælge den rigtige størrelse tryklufthammer til det arbejde, der skal udføres.

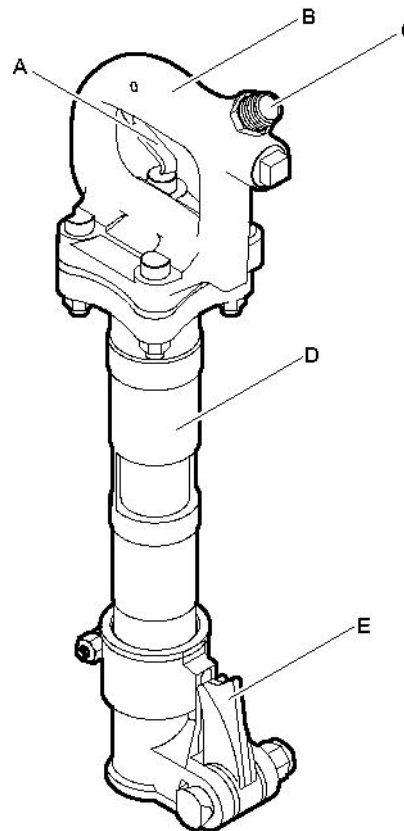
Hvis der anvendes en for lille tryklufthammer, vil arbejdet tage længere tid.

Hvis der anvendes en for stor hammer, skal den flyttes hyppigt, hvilket er unødigt trættende for operatøren.

En enkel regel for valg af den rigtige størrelse tryklufthammer siger, at et stykke afbrækket materiale af normal størrelse skal kunne fjernes fra det, der arbejdes på, i løbet af 10-20 sekunder.

- > Hvis det tager mindre end 10 sekunder, bør der vælges en mindre tryklufthammer.
- > Hvis det tager mere end 20 sekunder, bør der vælges en større tryklufthammer.

## Hovedkomponenter



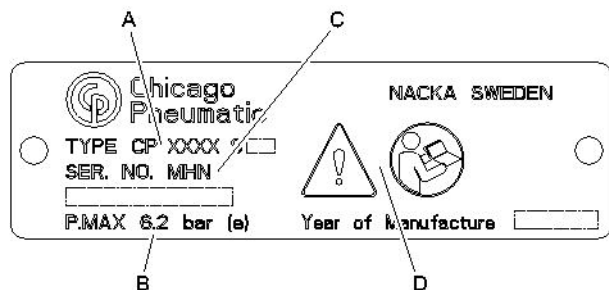
- A. Udløser
- B. Håndtag
- C. Luftindtag
- D. Cylinder
- E. Klinke (værktøjsholder)

## Skilte og mærkater

Maskinen er forsynet med skilte og mærkater, som indeholder vigtige informationer om personlig sikkerhed og maskinens vedligeholdelse. Disse skilte og mærkater skal altid være letlæselige. Nye skilte og mærkater kan bestilles i henhold til reservedelslisten.



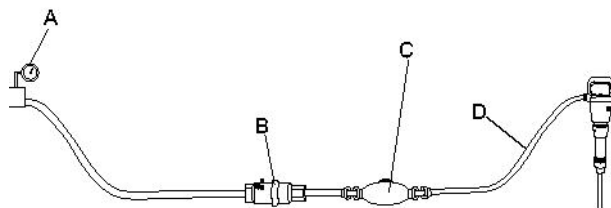
## Typeskilt



- A. Maskintype
- B. Maksimalt tilladt tryk for tryklufforsyning
- C. Serienummer
- D. Advarselssymbolet sammen med bogsymbolet betyder, at brugeren skal læse sikkerhedsinstruktionerne og betjeningsvejledningen, før maskinen anvendes første gang.

## Montering

### Slanger og tilslutninger



- A. Trykluffkilde
  - B. Vandudskiller (ekstraudstyr)
  - C. Smøreanordning (ekstraudstyr)
  - D. Maks. 10 feet (3 m) trykluffslange mellem smøreanordningen og maskinen.
- ♦ Kontrollér, at De anvender det anbefalede arbejdstryk, 87 psig (6 bar).
  - ♦ Det maksimalt tilladte lufttryk, 90 psig (6,2 bar), må ikke overskrides.
  - ♦ Blæs eventuelle urenheder ud af trykluffslangen, før den sættes til maskinen.

- ♦ Vælg en trykluffslange i korrekt dimension og længde. Slanger på op til 100 feet (30 meter) bør have en indvendig minimumsdiameter på 3/4 in. (19 mm). Hvis slangens længde er mellem 100 og 300 feet (30-90 meter) bør slangen have en indvendig minimumsdiameter på 1 in. (25 mm).

## Metoder til forhindring af frysning

Isdannelse i lyddæmperen kan forekomme, når den omgivende lufts temperatur er 32-50 °F (0-10 °C), og den relative luftfugtighed er høj.

Maskinen er konstrueret til at undgå isdannelse i lyddæmperen. Alligevel kan der under ekstreme forhold dannes is i lyddæmperen.

Følgende kan gøres for at modvirke risikoen for isdannelse:

- ♦ Brug en olie til luftdrevet værktøj, der indeholder antifrostmiddel.
- ♦ Brug en vandudskiller.

## Tilslutning af en vandudskiller

Der skal anvendes en tilstrækkeligt lang slange mellem kompressoren og vandudskilleren for at sikre, at vanddampen afkøles og kondenseres i slangen, før den når frem til vandudskilleren.

Hvis den omgivende temperatur er under 32°F (0°C), skal slangen være kort nok til at forhindre, at vandet fryser i slangen, før det når frem til vandseparatoren.

## Smøring

### Smøring

Smøremidlet er vigtigt for maskinens funktion og har stor indvirkning på maskinens levetid. For at sikre tilførsel af den korrekte mængde olie, bør en smøreanordning tilkobles luftslangen. Brug af Chicago Pneumatic luftslangesmøreanordning anbefales. God smøring sikres ved, at luftslangestykket mellem smøreanordningen og trykluffhammeren ikke overstiger 10 feet (3 m).

For meget smøremiddel kan give startproblemer, mangel på kraft eller ujævn ydelse.

Anbefalet smøremiddel: Luftværktøjsolie med en viskositet på 100-150 SUS ved 100°F (ISO VG 22-32).

Det anbefales, at olien indeholder et rusthæmmende middel.

## Indsætningsværktøj

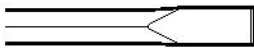
### Valg af det korrekte indsætningsværktøj

Valg af rigtigt indsætningsværktøj er en forudsætning for korrekt maskinfunktion. Det er vigtigt, at vælge indsætningsværktøjer af høj kvalitet for at undgå unødvendig maskinskade.

**BEMÆRK!** Maskinen kan blive ødelagt, hvis De anvender forkerte indsætningsværktøjer.

Anbefalede indsætningsværktøjer står på reservedelslisten til maskinen.

### Smal mejsel



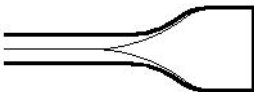
Den smalle mejsel bruges til nedbrydnings- og skærearbejde i beton og andre typer hårdt materiale.

### Spidsmejsel



Spidsmejslen bør kun anvendes til at lave huller i beton og andre typer hårdt materiale.

### Bredbladet mejsel

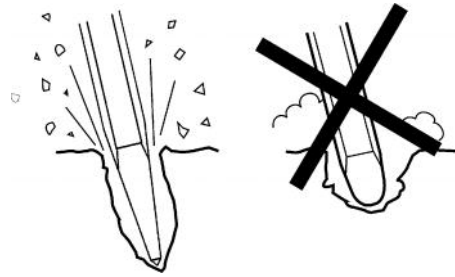


Den brede mejsel anvendes til bløde materialer, som f.eks. asfalt og frossen jord.

### ⚠ ADVARSEL Vibrationsrisiko

Brug af indsætningsværktøjer, som ikke opfylder nedennævnte kriterier, vil medføre længere arbejdstid til opgaven, og kan medføre udsættelse for højere vibrationsniveauer. Et slidt værktøj medfører også længere arbejdstid.

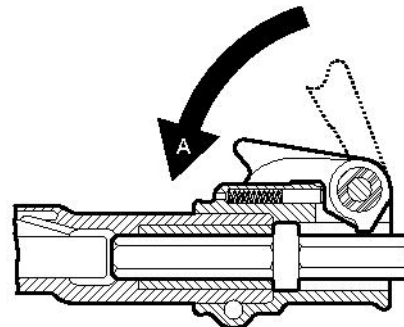
- ▶ Sørg for, at det indsatte værktøj er godt vedligeholdt, ikke er udslidt og har den rigtige størrelse.
- ▶ Brug altid et skarpt værktøj, så De kan arbejde effektivt.



### Indsætning og fjernelse af værktøjet

Når indsætningsværktøjet monteres/fjernes, skal følgende instruktioner altid følges:

1. Forebyggelse af utilsigtet start: slå tryklufften fra og afbryd maskinen ved kraftkilden. Afluft maskinen ved at trykke på start-/stopanordningen.
2. Inden indsætning af et værktøj skal værktøjsskafet smøres med fedt.
3. Montér/fjern indsætningsværktøjet.
- 4.



Luk værktøjsholderen (position A) og kontrollér låsefunktionen ved at rykke det indsatte værktøj kraftigt udad.

## Betjening

### ⚠ ADVARSEL Utilsigtet start

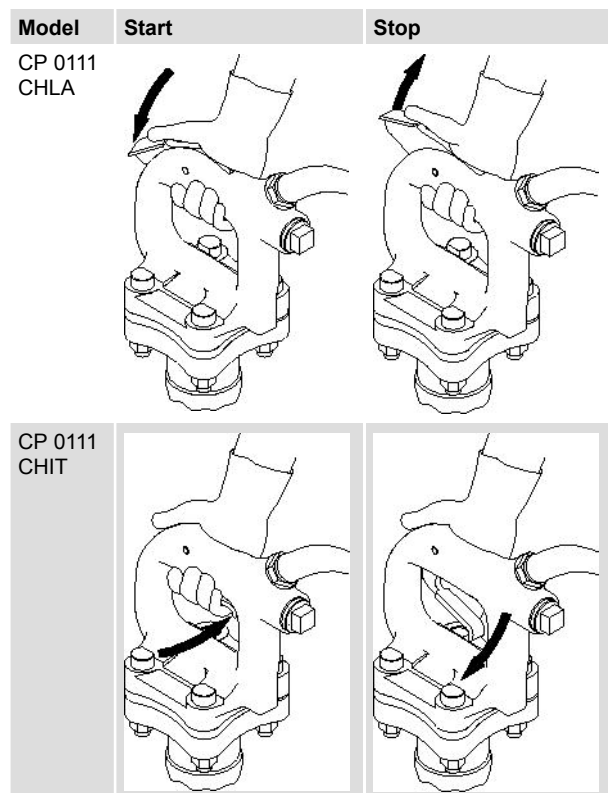
Utilsigtet start af maskinen kan forårsage skader.

- ▶ Hold hænderne væk fra start/stop-anordningen, indtil De er klar til at starte maskinen.
- ▶ Lær hvordan maskinen slås fra, hvis der opstår en nødsituation.
- ▶ Slip straks start/stop-anordningen, i alle tilfælde hvor strømforsyningen afbrydes.





## Start og stop



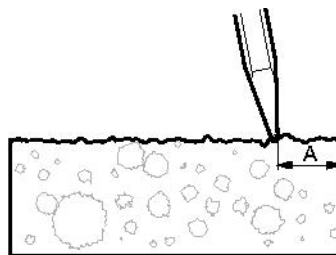
- ◆ Start maskinen ved at trykke på start-/stopanordningen, mens De holder godt fast i håndtaget.
- ◆ Stop maskinen ved at slippe udløseren. Start-/stopanordningen vender automatisk tilbage til stopstillingen.

## Betjening

### Starte skærearbejde

- ◆ Stå i en stabil stilling, med fødderne godt væk fra det indsatte værktøj.
- ◆ Pres værktøjet mod arbejdsfladen, inden maskinen startes.
- ◆ Maskinens arbejdhastighed kontrolleres med aftrækkeren.
- ◆ Start brydningen i en sådan afstand fra kanten, at maskinen er i stand til at bryde materialet af, uden at brække med værktøjet.

- ◆ Bryd aldrig for store stykker af. Tilpas brydeafstanden (A), så indsætningsværktøjet ikke sætter sig fast.



### Brydning

- ◆ Lad maskinen gøre arbejdet, og lad være med at presse for hårdt.
- ◆ Undgå at arbejde i ekstremt hårde materialer, f.eks. granit og direkte på jernarmeringer, som ville give kraftige vibrationer.
- ◆ Enhver form for tomgang, betjening uden indsætningsværktøj eller arbejde med en opløftet maskine skal undgås.
- ◆ Når maskinen er løftet op, må start-/stopanordningen ikke være aktiveret.
- ◆ Kontrollér jævnligt, at maskinen er velsmurt.

## Når der holdes pause

- ◆ Når De holder pause, skal maskinen altid opbevares på en måde, så der ikke er risiko for, at den startes utilsigtet.
- ◆ Ved længere pauser, eller når arbejdspladsen forlades: Slå først trykluft fra ved kompressoren, og udluft derefter maskinen ved at aktivere start/stop-anordningen.

## Vedligeholdelse

Regelmæssig vedligeholdelse er et grundlæggende krav til fortsat sikker og effektiv benyttelse af maskinen. Følg betjeningsinstruktionerne omhyggeligt.

- ◆ Brug kun godkendte dele. Skader eller fejl, der er opstået på grund af ikke-godkendte reservedele, dækkes ikke af garanti eller produktansvar.
- ◆ Ved rensning af mekaniske dele med et opløsningsmiddel, skal gældende sundheds- og sikkerhedsbestemmelser overholdes, og der skal være tilstrækkelig ventilation.
- ◆ Ved behov for et større eftersyn af maskinen, kontaktes nærmeste autoriserede værksted.

## Hver dag

Før der udføres vedligeholdelse, eller skiftes indsætningsværktøj på trykluftmaskiner, skal der altid slukkes for lufttilførslen, og maskinen afluftes ved at trykke på start/stop-anordningen, hvorefter luftslangen tages af maskinen.

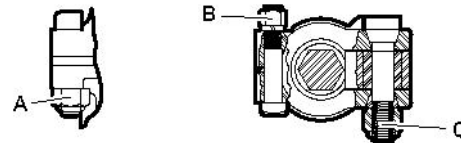
- ◆ Rengør og efterser maskinen hver dag.
- ◆ Efterser værktøjsholderen for slid, og funktion.
- ◆ Foretag et generelt eftersyn for lækager og skader.
- ◆ Kontroller, at luftindgangsniplen er spændt, og at klokoblingen er fri for skader.
- ◆ For at maskinen kan bevare de specificerede vibrationsværdier, bør følgende altid kontrolleres:  
For stort et spillerum mellem indsætningsværktøjets skaft og mejselbøsningen vil give øgede vibrationer. Med henblik på at undgå, at operatøren udsættes for vibrationer i overdreven grad, skal mejselbøsningen kontrolleres for slid hver dag.
- ◆ Udskift omgående beskadigede dele.
- ◆ Udskift beskadigede og slidte komponenter i god tid.
- ◆ Sørg for at al tilsluttet og tilhørende udrustning, såsom slanger, vandudskillere og oliesystemer vedligeholdes ordentligt.

## Periodisk vedligeholdelse

Efter hver brugsperiode, på ca. 150 driftstimer eller to gange om året, skal maskinen adskilles og alle dele renses og efterses. Dette arbejde skal udføres af autoriseret personale, som er uddannet til denne opgave.

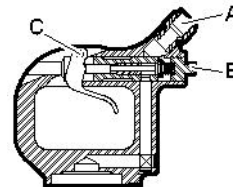
## Monteringsinstruktioner

### CP 0111 generelt



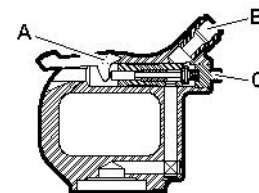
- A. Tilspændingsmomenter: 115–125 lbf.ft (156–169 Nm)
- B. Tilspændingsmomenter: 80–85 lbf.ft (109–115 Nm)
- C. Tilspændingsmomenter: 65–70 lbf.ft (88–95 Nm)

### CP 0111 CHIT



- A. Tilspændingsmomenter: 85–95 lbf.ft (115–128 Nm), brug Loctite® 243™
- B. Tilspændingsmomenter: 85–95 lbf.ft (115–128 Nm)
- C. Hullet i huset er stukket for at låse stiften.

### CP 0111 CHLA



- A. Hullet i huset er stukket for at låse stiften.
- B. Tilspændingsmomenter: 85–95 lbf.ft (115–128 Nm), brug Loctite® 243™
- C. Tilspændingsmomenter: 85–95 lbf.ft (115–128 Nm)

## Fejlfinding

Hvis tryklufthammeren ikke vil starte, mangler kraft eller kører ujævnt, kontrolleres følgende punkter.



- ◆ Kontroller, at det indsætningsværktøj, der sidder i, har den korrekte skaftdimension.
- ◆ Kontroller, at tryklufthammeren tilføres den rette mængde smøremiddel. For meget smøremiddel kan give start- problemer, mangel på kraft eller ujævn drift.
- ◆ Kontroller, at trykluftsystemet forsyner maskinen med tilstrækkeligt trykluft til fuld kraft.
- ◆ Kontroller luftslangens dimension og længde i henhold til de givne anbefalinger. Se "Montering".
- ◆ Hvis der er risiko for frysning, skal det kontrolleres, at maskinens afgangsåbninger ikke er blokerede.
- ◆ Hvis maskinen stadig ikke fungerer tilfredsstillende efter gennemførelse af disse kontroller, kontaktes et autoriseret værksted.

## Opbevaring

- > Rengør maskinen omhyggeligt, inden den stilles væk.
- > Hæld ca. 1/2 oz (5 cl) olie direkte i luftindtagsniplen, tilslut maskinen til tryklufforsyningen, og lad den køre nogle få sekunder.
- > Maskinen skal altid opbevares på et tørt sted.

## Bortskaffelse

En brugt maskine skal behandles og bortskaffes således, at materialet kan genbruges i størst muligt omfang, så enhver negativ påvirkning af miljøet bliver så lav som muligt.



## Tekniske data

### Maskinens data

---

Model	Skaf- dimension in. (mm)	Artikelnummer	Vægt lb (kg)	Længde in. (mm)	Slagfrekvens (Hz)	Luftforbrug foot <sup>3</sup> /min (l/s)
CP 0111 CHLA	Hexagon 1x4¼ (25x108)	8900 0001 20	29.9 (13)	22½ (572)	29–32	35–45 (17–21)
CP 0111 CHIT	Hexagon 7⁄8x3¼ (22x82,5)	8900 0001 41	29.9 (13)	22 13⁄16 (580)	29–32	35–45 (17–21)



**NORSK****Innhold**

<b>Innledning</b> .....	147
<b>Om Sikkerhetsinstrukser og bruksanvisning</b> .....	147
<b>Sikkerhetsinstrukser</b> .....	148
Signalord .....	148
Personlige forholdsregler og kvalifikasjoner .....	148
Installasjon, forholdsregler .....	148
Drift, forholdsregler .....	149
Lagring, forholdsregler .....	151
Vedlikehold, forholdsregler .....	151
<b>Oversikt</b> .....	152
Konstruksjon og funksjon .....	152
Velg den trykkluftsknuseren som passer best til oppgaven .....	152
Hoveddeler .....	152
Symboler og etiketter .....	152
<b>Installasjon</b> .....	153
Slanger og tilkoblinger .....	153
Metoder for å forhindre frysing .....	153
Koble til en vannutskiller .....	153
Smøremiddel .....	153
Innsetningsverktøy .....	154
<b>Bruk</b> .....	154
Start og stopp .....	155
Bruk .....	155
Når man tar en pause .....	155
<b>Vedlikehold</b> .....	155
Hver dag .....	156
Periodisk vedlikehold .....	156
Monteringsinstruksjoner .....	156
<b>Feilsøking</b> .....	156
<b>Lagring</b> .....	157
<b>Avhending</b> .....	157
<b>Tekniske data</b> .....	158
Maskindata .....	158



## Innledning

Takk for at du valgte Chicago Pneumatic som en leverandør av verktøy og tjenester. Chicago Pneumatic er et globalt firma som tilbyr en rekke pneumatiske og hydrauliske verktøy som meiselmaskiner, bergboremaskiner, meiselhammere, leirjordgravere, hakker og knusere, scabblers, pumper og mye mer.

I 2001 feiret Chicago Pneumatic Tool Company 100 års jubileum som en pioner og leder innen den pneumatiske verktøyindustrien. Chicago Pneumatic har alltid fokusert på å levere kraftige og pålitelige produkter som er enkle å vedlikehold og gir god verdi for pengene. Det er en filosofi som har gjort oss til markedsledere for luftverktøy i USA.

Les mer på [www.cp.com](http://www.cp.com)

## Om Sikkerhetsinstrukser og bruksanvisning

Formålet med instruksere er å gi deg kunnskap om hvordan du bruker det pneumatiske huggeren på en effektiv, sikker måte. Instruksere gir deg også råd og viser deg hvordan du utfører vedlikehold på trykkluftshuggeren.

Før du begynner å bruke den pneumatiske hammeren første gang, må du lese disse instruksere nøye og forstå alle sammen.

## Sikkerhetsinstruksjoner

For å redusere faren for alvorlig skade eller død for deg selv eller andre, bør du lese disse sikkerhetsinstruksjonene nøye før du tar maskinen i bruk.

Heng opp disse sikkerhetsinstruksjonene på arbeidsplassene, gi de ansatte kopier og sørg for at alle leser sikkerhetsinstruksjonene før de betjener eller vedlikeholder maskinen.

Følg alle sikkerhetsforskrifter.

## Signalord

Signalordene Fare, Advarsel og Forsiktig har følgende betydning:

<b>FARE</b>	Viser til en farlig situasjon som vil føre til alvorlig skade eller død dersom den ikke unngås.
<b>ADVARSEL</b>	Viser til en farlig situasjon som kan føre til alvorlig skade eller død dersom den ikke unngås.
<b>FORSIKTIG</b>	Viser til en farlig situasjon som kan føre til mindre eller moderate skader dersom den ikke unngås.

## Personlige forholdsregler og kvalifikasjoner

Vedlikehold eller bruk av maskinen må kun gjøres av kvalifiserte og opplærte personer. Bruk alltid sunn fornuft og god vurderingsevne.

### Personlig verneutstyr

Bruk alltid godkjent verneutstyr. Operatører og alle andre personer i arbeidsområdet skal bruke verneutstyr, bestående av minimum:

- > Beskyttelseshjelm
- > Hørselsvern
- > Slagbestandige vernebriller med sidebeskyttelse
- > Åndedrettsvern når det er nødvendig
- > Vernehansker
- > Skikkelig vernestøvler
- > Egnet arbeidsoverall eller tilsvarende bekledning (ikke løstsittende) som dekker armene og bena.

## Narkotika, alkohol eller legemidler

### ▲ ADVARSEL Narkotika, alkohol eller legemidler

Narkotika, alkohol og legemidler svekker dømmekraften og konsentrasjonsevnen. Dårlig reaksjonsevne eller feilaktige vurderinger kan føre til alvorlige ulykker, også med døden til følge.

- ▶ Bruk aldri maskinen når du er trøtt eller påvirket av narkotika, alkohol eller legemidler.
- ▶ Ingen personer som påvirket av narkotika, alkohol eller legemidler skal bruke maskinen.

## Installasjon, forholdsregler

### ▲ FARE Piskende luftslange

En trykkluftslange som kommer løs kan slå omkring seg med stor kraft, og forårsake personskade eller død.

- ▶ Sjekk at trykkluftslangene og koblingene ikke er skadet.
- ▶ Sjekk at alle trykklufttilkoblingene er skikkelig festet.
- ▶ Forsøk aldri å kople fra en trykkluftslange som står under trykk. Slå av lufttrykket på luftkompressoren og tøm maskinen for luft ved å sette i gang start og stopp knappen.
- ▶ Rett aldri en trykkluftslange mot deg selv eller andre. Bruk aldri trykkluft til å blåse f.eks. støv, skitt osv. av klærne, da det kan medføre fare for å bli skadet.

### ▲ ADVARSEL Utløst innsetningsverktøy

Hvis verktøyholderen på maskinen ikke er satt i en låst posisjon kan det innsatte verktøyet utløses med en kraft, som kan forårsake personskade.

- ▶ Start aldri maskinen mens innsetningsverktøyet byttes.
- ▶ Før du skifter innsetningsverktøyet, stopp maskinen, slå av luftkompressoren og tøm maskinen for luft ved å sette i gang start og stopp knappen.
- ▶ Pek aldri med et innsatt verktøy mot deg selv eller andre.
- ▶ Kontroller at verktøyet er fullstendig satt inn og at verktøyholderen er i låst posisjon før maskinen startes.
- ▶ Kontroller låsefunksjonen ved å nappe kraftig i det innsatte verktøyet.





### ▲ ADVARSEL Flytte / miste innsetningsverktøyet

Ukorrekt dimensjon på spindelen på innsetningsverktøyet kan føre til at innsetningsverktøyet mistes eller glir ut under bruk. Fare for alvorlig skade eller knuste hender og fingre.

- ▶ Kontroller at innsetningsverktøyet har den spindelengden og de dimensjonene maskinen er beregnet for.
- ▶ Bruk aldri et innsetningsverktøy uten mansjett.

## Drift, forholdsregler

### ▲ FARE Eksplosjonsfare

Dersom et innsetningsverktøy kommer i kontakt med eksplosive gasser, kan en eksplosjon forekomme. Ved bruk med visse materialer kan gnister og tenning forekomme. Eksplosjoner kan føre til alvorlige skader, også med døden til følge.

- ▶ Bruk aldri maskinen i eksplosive omgivelser.
- ▶ Bruk aldri maskinen i nærheten av brannfarlige materialer, gasser eller støv.
- ▶ Forsikre deg om at det ikke er noen uoppdagete gasskilder eller eksplosiver.

### ▲ ADVARSEL Uforutsette bevegelser

Innsetningsverktøyet er utsatt for store belastninger når maskinen brukes. Innsetningsverktøyet kan brette på grunn av materialtretthet etter en viss brukstid. Dersom innsetningsverktøyet brekker eller setter seg fast, kan det oppstå plutselige uforutsette bevegelser som kan forårsake skader. Videre kan fall eller tap av balanse føre til skader.

- ▶ Sørg for at du alltid inntar en stødig stilling, med føttene like langt fra hverandre som skulderbredden, og hold kroppstygden i balanse.
- ▶ Inspiser alltid utstyret før du bruker det. Bruk aldri utstyr du mistenker for å være skadet.
- ▶ Sørg for at håndtakene er fri for fett og olje.
- ▶ Hold føttene på avstand fra innsetningsverktøyet.
- ▶ Stå støtt og hold alltid i maskinen med begge hender.
- ▶ Start aldri maskinen mens den ligger på bakken.
- ▶ Aldri „ri” på maskinen med ett ben over håndtaket.
- ▶ Utstyret skal ikke utsettes for slag eller spark.

- ▶ Kontroller innsetningsverktøyet jevnlig for slitasje, og kontroller om det har tegn på skade eller synlige sprekker.
- ▶ Vær oppmerksom og se på hva du gjør.

### ▲ ADVARSEL Silikafare

Eksposering av krystallinsk silika (kalt silikastøv) som et resultat av knusing eller andre aktiviteter med stein, betong, asfalt eller andre materialer, kan forårsake silikose (en alvorlig lungesykdom), silikoserelaterte sykdomer, kreft eller død. Silika er en hovedkomponent i stein, sand og mineralmalm. For å redusere silikaeksponering:

- ▶ Ta egnede tekniske tiltak i bruk for å redusere mengden silika i luften og opphopning av støv på utstyr og overflater. Eksempler på slikt utstyr kan være: avgassventilasjon og støvsamlingssystemer, overrislingsventiler og våtboring. Sørg for at tiltakene er riktig installert og vedlikeholdt.
- ▶ Bruk, vedlikehold og korrekt bruk av godkjente partikkelgassmasker når du bruker kontrollene alene er ikke nok for å redusere eksponering til under tillatte nivå.
- ▶ Delta i åndedrettskontroller, medisinske eksaminasjoner, og treningsprogrammer som din arbeidsgiver/oppdragsgiver tilbyr deg eller forlanges av loven.
- ▶ Bruk vaskbare eller deponerbare verneklær på arbeidsområdet. Dusj eller bytt til rene klær før du forlater arbeidsområdet for å redusere eksponering av silika for deg selv, andre personer, biler, hjem eller andre områder.
- ▶ Aldri spis, drikk eller bruk tobakkprodukter i områder der støv inneholder krystallinsk silika.
- ▶ Vask hender og ansikt før du spiser, drikker eller bruker tobakkprodukter utenfor eksponeringsområdet.
- ▶ Samarbeid med arbeidsgiveren for å redusere eksponering av silika på arbeidsområdet ditt.

### ▲ ADVARSEL Støvfare

Noen typer støv, røyk eller andre luftbårede materialer som utvikles under bruk av maskinen kan inneholde kjemikalier som ifølge staten California kan forårsake kreft, fødselsdefekter eller annen reproduktiv skade. Noen eksempler på slike kjemikalier er:

- > Krystallinsk silika, sement og andre murprodukter.
- > Arsenikk og krom fra kjemisk behandlet gummi.
- > Bly fra blybasert maling.
- ▶ for å redusere din eksponering til disse kjemikaliene, arbeid i et godt ventilert område og arbeid med godkjent sikkerhetsutstyr, som støvmasker som er spesielt konstruert for å filtrere mikroskiske partikler.

### ▲ ADVARSEL Prosjektiler

Under driften kan splinter eller andre partikler opptre fra arbeidsmaterialet opptre som prosjektiler og forårsake personskaade ved å treffe operatøren eller andre personer.

- ▶ Bruk godkjent personlig verneutstyr, inkludert støttemotstandige vernebriller med sidebeskyttelse.
- ▶ Sørg for at ingen uautoriserte personer komme inn i arbeidsområdet.
- ▶ Hold arbeidsplassen fri for fremmede objekter.

### ▲ ADVARSEL Vibrasjonsfare

Vanlig og korrekt bruk av maskinen utsetter operatøren for vibrasjon. Regelmessig og hyppig eksponering av vibrasjon kan forårsake, bidra til eller forverre skader eller forstyrre operatørens fingre, hender, håndledd, armer, skuldre og/eller andre kroppsdeler, inkludert svekkelse og/eller permanente skader eller forstyrrelser som kan utvikles gradvis over uker, måneder eller år. Slike skader kan omfatte skader på blodsirkulasjonssystemet, skader på nervesystemet, skader på ledd og mulig skader på andre organer.

Dersom nummenhet, prikking, smerte, klønetthet, svekket grep, blekhet eller andre symptomer skulle opptre på noe tidspunkt mens maskinen betjenes eller mens den ikke betjenes, må man ikke fortsette å betjene maskinen, men søke medisinsk hjelp. Hvis du fortsetter å bruke maskinen etter at du oppdager slike symptomer, kan det øke risikoen for at symptomene øker eller blir permanente.

Følgende tiltak kan redusere eksponeringen av vibrasjon til operatøren:

- ▶ La verktøyet gjøre jobben. Bruk det minimale håndgrepet som trengs for å holde kontroll over maskinen og sørg for trygg drift.
- ▶ Når støtmekanismen aktiveres, skal din eneste kroppskontakt med maskinen være gjennom hendene som du holder på håndtaket. Unngå annen kontakt, f.eks. støtte andre deler av kroppen mot maskinen eller lene deg mot maskinen for å øke trykkraften. Det er også viktig at start- og stoppmekanismene ikke er aktivert når verktøyet trekkes opp fra den brutte arbeidsoverflaten.
- ▶ Sørg for at det innsatte verktøyet er godt vedlikeholdt (og skarpt, dersom det er et kutteverktøy), ikke slitt og i riktig størrelse. Innsetningsverktøy som ikke er godt vedlikeholdt, eller som er slitte, eller som ikke har riktig størrelse, vil føre til at det tar lengre tid å utføre et arbeid (som som gir lengre eksponering til vibrasjon) og kan føre til eller bidra til høyere vibrasjonsnivåer.
- ▶ Stopp arbeidet umiddelbart dersom maskinen brått tar til å vibrere sterkt. Finn og bli kvitt årsaken til den økte vibrasjonen før arbeidet gjenopptas.
- ▶ Ikke grip tak i, hold eller berør det innsatte verktøyet mens maskinen er i bruk.
- ▶ Delta i helseundersøkelser eller helseovervåking, medisinske undersøkelser og treningsprogrammer som tilbys av arbeidsgiveren og når de er lovpålagte.



Se „Støy- og vibrasjonserklæring” for maskinen, inkludert oppgitte vibrasjonsverdier og „Ytterligere informasjon om vibrasjoner”. Denne informasjonen finnes på slutten av denne håndboken „Sikkerhetsinstruksjoner og bruksanvisning”.

- ◆ Følg anbefalt lufttrykknivå når du bruker maskinen. For høyt eller lavt lufttrykk kan føre til økt vibrasjon.

#### **▲ FARE Strømfare**

Denne maskinen er ikke strøminsolert. Hvis maskinen kommer i kontakt med elektrisitet, kan det resultere i alvorlig skade eller død.

- ▶ Maskinen må aldri brukes i nærheten av strømledninger eller andre strømkilder.
- ▶ Sørg for at det ikke skjuler seg strømledninger eller andre strømkilder i arbeidsområdet.

#### **▲ ADVARSEL Fare ved skjulte objekter**

Skulte kabler og rør utgjør en fare som kan føre til alvorlige skader under arbeidet.

- ▶ Kontroller materialets sammensetning før bruk.
- ▶ Se opp for skjulte kabler og rør som elektrisitet, telefon, vann, gass og kloakkrør, o.l.
- ▶ Dersom det innsatteverktøyet later til å ha truffet et skjult objekt, slå av maskinen umiddelbart.
- ▶ Sørg for at det ikke foreligger noen fare før du fortsetter arbeidet.

#### **▲ ADVARSEL Utilsiktet start**

Utilsiktet start av maskinen kan forårsake skade.

- ▶ Hold hendene unna start- og stoppknappene til du er klar til å begynne arbeidet.
- ▶ Lær om hvordan maskinen slås av i tilfelle det skulle oppstå en nødsituasjon.
- ▶ Frigjør startknappen og stopp enheten umiddelbart hvis det oppstår forstyrrelser på lufttilførselen.
- ▶ Slå av lufttilførselen og frakoble maskinen fra kraftkilden hver gang du monterer/fjerner innsetningsverktøy. Tøm maskinen for luft ved å trykke på start/stopp-knappen.

#### **▲ ADVARSEL Støyfare**

Høyt lydnivå kan forårsake permanent hørselskade.

- ▶ Bruk hørselvern i henhold til faglig helse og sikkerhetsreglementer.

## **Lagring, forholdsregler**

- ◆ Oppbevar maskinen og verktøyene på et sikkert og låsbart sted, utilgjengelig for barn.

## **Vedlikehold, forholdsregler**

#### **▲ ADVARSEL Maskinmodifisering**

Alle maskinmodifikasjoner kan resultere i kroppslige skader for deg selv eller andre.

- ▶ Foreta aldri modifiseringer av maskinen.
- ▶ Bruk alltid originale deler og tilbehør godkjent av Chicago Pneumatic.

#### **▲ FORSIKTIG Varmt innsetningsverktøy**

Tuppen på innsetningsverktøyet blir varmt når det brukes. Berøring kan føre til brannskår.

- ▶ Et varmt innsetningsverktøy må ikke berøres.
- ▶ Vent til innsetningsverktøyet er avkjølt før du utfører vedlikeholdsarbeid.

## Oversikt

For å redusere faren for alvorlig skade eller død for deg selv og andre, les avsnittet Sikkerhetsinstruksjoner på de foregående sidene av denne håndboken før du tar maskinen i bruk.

## Konstruksjon og funksjon

CP 0111 er en håndholdt pneumatisk knuser konstruert for lett til middels bygnings- og vedlikeholdsarbeid.

CP 0111 CHLA og CP 0111 CHIT er utstyrt med D-håndtak, og kan brukes både horisontalt og vertikalt.

Annen bruk er ikke tillatt.

For å bruke korrekt innsettingsverktøy, se reservedellisten.

## Velg den trykkluftknuseren som passer best til oppgaven

Det er viktig å velg riktig størrelse på trykkluftknuseren for arbeidet som skal utføres.

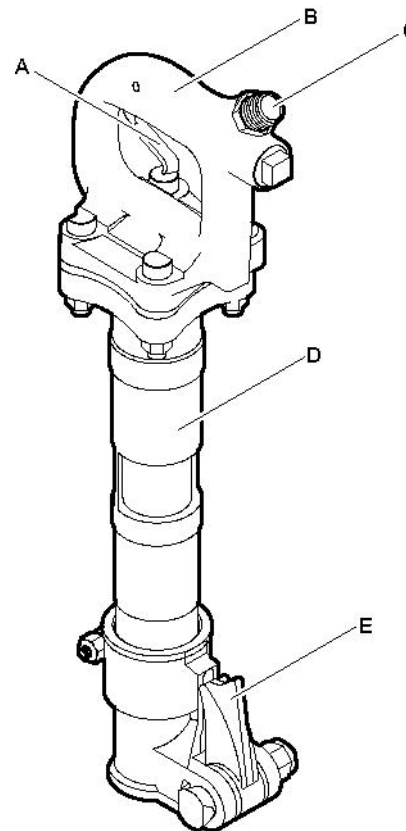
En trykkluftknuser som er for liten betyr at arbeidet vil ta lengre tid.

En knuser som er for stor betyr at du må plassere knuseren på nytt veldig ofte, noe som er unødvendig trettende for operatøren.

En enkel regel for valg av rett størrelse på trykkluftknuseren, er at en normal størrelse på det brutte materialet bør kunne fjernes fra arbeidsstykket innen 10-20 sekunder.

- > Dersom det tar mindre enn 10 sekunder må det velges en mindre trykkluftknuser.
- > Hvis det tar mer enn 20 sekunder må det velges en større trykkluftknuser.

## Hoveddeler



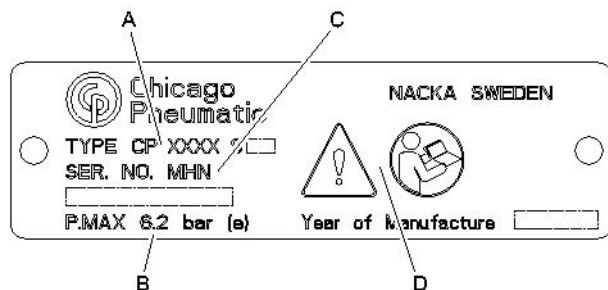
- A. Utløser
- B. Håndtak
- C. Luftinntak
- D. Sylinder
- E. Klinke (verktøyholder)

## Symboler og etiketter

Maskinen er utstyrt med skilt og klebemerker med viktig informasjon om personlig sikkerhet og maskinvedlikehold. Skiltene og klebmerkene skal alltid være lett leselige. Nye skilt og merker kan bestilles ved å bruke reservedellisten.



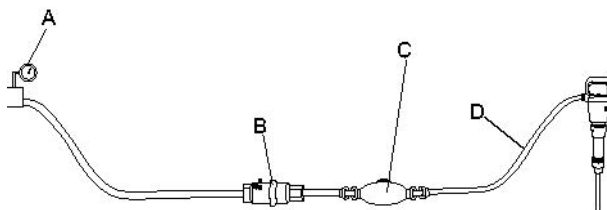
## Dataplate



- A. Maskintype
- B. Maksimale tillatte lufttrykk
- C. Serienummer
- D. Faresymboler sammen med boksymboler betyr at brukeren må lese sikkerhetsinstrukser og bruksanvisning før maskinen brukes for første gang.

## Installasjon

### Slanger og tilkoblinger



- A. Trykkluftkilde
  - B. Vannutskiller (tillegg)
  - C. Oljesmører (tillegg)
  - D. Maks 10 feet (3 m) trykkluftslange mellom oljesmøreren og maskinen.
- ♦ Sjekk at du bruker korrekt anbefalt driftstrykk, 87 psig (6 bar (e)).
  - ♦ Det maksimalt tillatte lufttrykket, 90 psig (6,2 bar (e)), må ikke overskrides.
  - ♦ Blås eventuelle urenheter ut av trykkluftslangen før du kople den til maskinen.

- ♦ Velg korrekt mål og lengde for trykkluftslangen. For slangelengder opp til 100 feet (30 meter), skal en slange med en minimum innvendig diameter på 3/4 in. (19 mm) brukes. Hvis slagelengden er mellom 100 og 300 feet (30–90 meter), skal en slange med en minimum innvendig diameter på 1 in. (25 mm) brukes.

## Metoder for å forhindre frysing

Isdannelse i lydempere kan oppstå når lufttemperaturen er 32-50 °F (0-10 °C) og den relative luftfuktigheten er høy.

Maskinen er laget for å unngå isdannelse i lydempere. På tross av dette kan det bli dannet is på lydempere under ekstreme forhold.

Følgende handlinger kan utføres for å motvirke isdannelsen:

- ♦ Bruk olje som inneholder anti-frysmiddel på luftverktøyet.
- ♦ Bruk en vannutskiller.

## Koble til en vannutskiller

Lengden på slangen mellom kompressoren og vannutskilleren må være nok til at vanddampen er avkjølet og kondensert i slangen før den når vannutskilleren.

Dersom omgivelsestemperaturen er under 32 °F (0 °C) må slangen være kort nok til å forhindre at vannet fryser før det når vannutskilleren.

## Smøremiddel

### Smøremiddel

Smøring er viktig for maskinens funksjoner og har en stor innvirkning på levetiden. I den hensikt å gi riktig oljemengde, skal et smøreapparat kobles til luftslangen. Bruken av Chicago Pneumatics smøreapparat for lufttilførselen anbefales. For å sikre god smøring, skal lengden av luftslangen mellom smøreapparatet og det pneumatiske spettet ikke være lenger enn 10 feet (3 m).

For mye smøring kan forårsake startproblemer, lav kraft eller ujevn ytelse.

Anbefalt smøreapparat: Luftverktøy-olje med en væsketykkelse på 100-150 SUS ved 100 °F (ISO VG 22-32).

Oljen bør inneholde et tilsetningsstoff for å hemme rust.

## Innsetningsverktøy

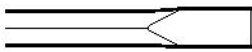
### Valg av riktig innsetningsverktøy

Valg av riktig innsetningsverktøy er en forutsetning for korrekt maskinfunksjon. Det er viktig å velge verktøy av høy kvalitet for å unngå unødvendig maskinskade.

Maskinen kan bli ødelagt ved bruk av feilaktig innsetningsverktøy.

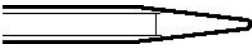
Anbefalt innsetningsverktøy er listet opp i maskinens reservedelsliste.

### Smal meisel



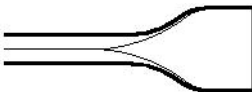
Den smale meiselen brukes for rivnings- og kuttearbeid i betong og andre typer hardt materiale.

### Spissmeisel



Spissmeiselen skal bare brukes for å lage hull i betong og andre typer harde materialer.

### Bredbladet meisel

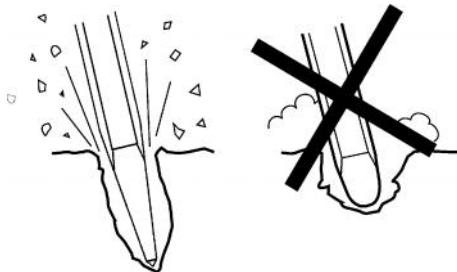


Den bredbladede meiselen brukes i myke materialer, som asfalt og frossen grunn.

### ⚠ ADVARSEL Vibrasjonsfare

Bruk av innsetningsverktøy som ikke oppfyller kriteriene nedenfor vil føre til at det tar lengre tid å utføre et arbeid og at vibrasjonseksposeringen blir større. Et sløvt verktøy vil også øke tiden det tar å utføre et arbeid.

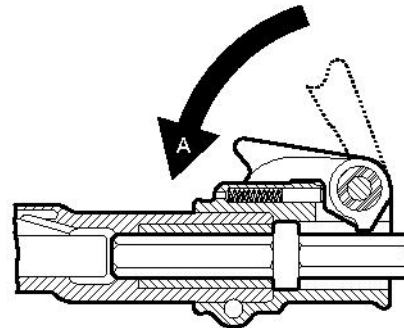
- ▶ Sørg for at det innsatte verktøyet er godt vedlikeholdt, ikke slitt og at det har riktig størrelse.
- ▶ Bruk alltid et skarpt verktøy for å jobbe effektivt.



## Montering og fjerning av innsetningsverktøyet

Når du monterer/fjerner innsetningsverktøyet må følgende instruksjoner overholdes:

1. For å forhindre utilsiktet start: Slå av lufttilførselen og frakoble maskinen fra kraftkilden. Tøm maskinen for luft ved å trykke på start/stopp-knappen.
2. Før du monterer et verktøy må du smøre verktøyets spindel med smøring.
3. Montere/fjerne innsetningsverktøyet.
- 4.



Lukk verktøyholderen (posisjon A) og kontroller låsefunksjonen ved å nappe det innsatte verktøyet utover.

## Bruk

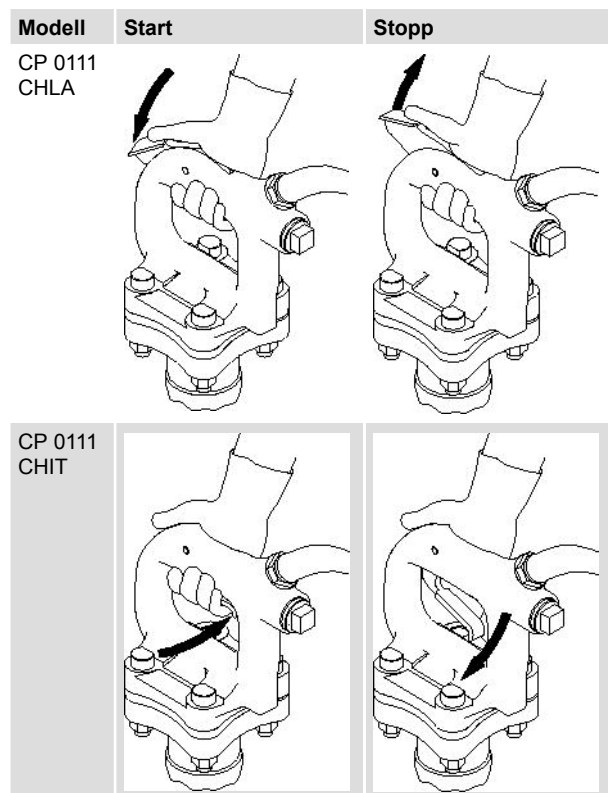
### ⚠ ADVARSEL Utilsiktet start

Utilsiktet start av maskinen kan forårsake skade.

- ▶ Hold hendene unna start- og stoppknappene til du er klar til å begynne arbeidet.
- ▶ Lær om hvordan maskinen slås av i tilfelle det skulle oppstå en nødsituasjon.
- ▶ Frigjør startknappen og stopp enheten umiddelbart hvis det oppstår forstyrrelser på lufttilførselen.



## Start og stopp



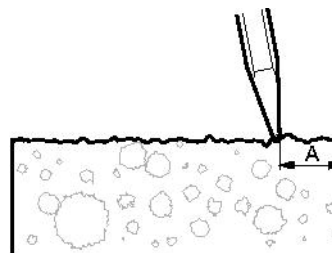
- ◆ Start maskinen ved å trykke på start- og stoppknappen mens du holder fast i håndtaket.
- ◆ Stopp maskinen ved å løse ut avtrekkeren. Start- og stoppknappen går automatisk tilbake til stopp-posisjon.

## Bruk

### Starte et kutt

- ◆ Innta en stødig stilling med føttene på god avstand fra det innsatte verktøyet.
- ◆ Press maskinen mot arbeidsoverflaten før start.
- ◆ Maskinens arbeidshastighet blir kontrollert via avtrekkeren.
- ◆ Ta anslag i en slik avstand fra kanten at maskinen kan bryte materiale uten vektstangkraft.

- ◆ Ikke bryt av for store biter. Juster avstanden (A) slik at innsetningsverktøyet ikke sitter fast.



### Knusing

- ◆ La maskinen gjøre arbeidet; ikke trykk for hardt.
- ◆ Unngå å arbeide i ekstremt harde materialer f.eks. granitt og armeringsjern (armeringsstenger) da det vil forårsake betydelige vibrasjoner.
- ◆ Unngå enhver form for venting, operasjon uten innsetningsverktøy eller operasjon med løftet maskin.
- ◆ Når maskinen er løftet, må ikke start- og stoppknappene aktiveres.
- ◆ Foreta regelmessige kontroller av maskinens smøreapparat.

## Når man tar en pause

- ◆ Under alle pauser må maskinen settes unna slik at det ikke er noen risiko for utilsiktet start.
- ◆ Ved lange pauser eller når man forlater arbeidsplassen: Slå av luftkompressoren og tøm maskinen for luft ved å sette i gang start og stopp avtrekkeren.

## Vedlikehold

Jevlig vedlikehold er en grunnforutsetning for fortsatt sikker og effektiv bruk av maskinen. Følg driftsinstruksjonene nøye.

- ◆ Bruk bare autoriserte deler. Skade eller feilfunksjon som skyldes bruk av uautoriserte deler blir ikke dekket av garantien eller produktansvaret.
- ◆ Når mekaniske deler rengjøres med løsemidler, må gjeldende helse- og sikkerhetsforskrifter følges, og man må sørge for tilstrekkelig ventilasjon.
- ◆ For større vedlikehold av maskinen, kontakt ditt nærmeste autoriserte verksted.

## Hver dag

Før du foretar noe vedlikehold eller skifte av innsetningsverktøyet på trykkluftmaskiner, må du alltid slå av lufttilførselen og tappe ut luften fra maskinen ved å trykke ned start og stoppavtrekkeren. Koble deretter luftslangen fra maskinen.

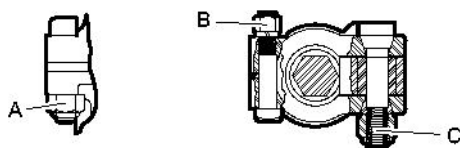
- ◆ Rengjør og undersøk maskinen hver dag.
- ◆ Sjekk verktøyholderen for slitasje og funksjon.
- ◆ Utfør en generell inspeksjon for lekkasje og skade.
- ◆ Sjekk at luftinntaknipplene er strammet til, og at klokoplingen ikke er skadet.
- ◆ For at maskinen skal opprettholde de spesifiserte vibrasjonsverdiene, må følgende alltid sjekkes:  
For stor frigang mellom verktøyets spindel og huggjernbøssingen vil skape økt vibrasjon. For å forhindre risiko for store vibrasjoner, sjekk huggjernbøssingen for slitasje hver dag.
- ◆ Bytt ut skadede deler umiddelbart.
- ◆ Skift ut skadede og slitte komponenter i god tid.
- ◆ Sørg for at alt montert og relatert utstyr, som slanger, vannseparatorer og oljesmørere blir ordentlig vedlikeholdt.

## Periodisk vedlikehold

Etter en driftsperiode på ca 150 slagtimer eller to ganger i året, må maskinen demonteres og alle deler renses og sjekkes. Dette arbeidet må utføres av autorisert personell som er opplært til denne oppgaven.

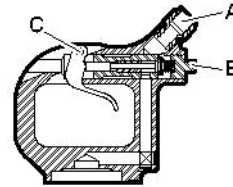
## Monteringsinstruksjoner

### CP 0111 generelt



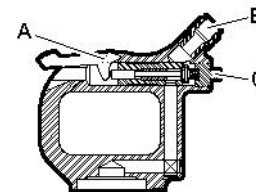
- A. Kraftmoment: 115-125 lbf.ft (156-169 Nm)
- B. Kraftmoment: 80-85 lbf.ft (109-115 Nm)
- C. Kraftmoment: 65-70 lbf.ft (88-95 Nm)

### CP 0111 CHIT



- A. Kraftmoment: 85-95 lbf.ft (115-128 Nm), bruk Loctite® 243™
- B. Kraftmoment: 85-95 lbf.ft (115-128 Nm)
- C. Huset er bearbeidet for å holde på stiften.

### CP 0111 CHLA



- A. Huset er bearbeidet for å holde på stiften.
- B. Kraftmoment: 85-95 lbf.ft (115-128 Nm), bruk Loctite® 243™
- C. Kraftmoment: 85-95 lbf.ft (115-128 Nm)

## Feilsøking

Hvis den pneumatiske bryteren ikke starter, har liten kraft eller ujevn ytelse, sjekk følgende punkter.

- ◆ Sjekk at innsetningsverktøyet har riktig spindel dimensjon.
- ◆ Sjekk at den pneumatiske bryteren får riktig mengde smøring. For mye smøring kan forårsake startproblemer liten kraft eller ujevn ytelse.
- ◆ Sjekk at trykkluftsystemet leverer tilstrekkelig trykkluft til maskinen for å sørge for full kraft.
- ◆ Sjekk at dimensjonene og lengden av luftslangen er i henhold til anbefalingene. Se „Installasjon”.
- ◆ Hvis det er fare for frost, sjekk at maskinens utblåsningsporter ikke er blokkert.
- ◆ Hvis maskinfunksjonen fortsatt ikke er tilfredsstillende etter denne prosedyren, kontakt et autorisert serviceverksted.





## Lagring

- > Rengjør maskinen ordentlig før lagring.
- > Tøm ca 5 cl (1/2 oz.) olje rett på luftinntaknippen, koble maskinen til trykklufttilførselen og kjør den i et par sekunder.
- > Lagre maskinen på et tørt sted.

## Avhending

En utslitt maskin må behandles og avhendes på en slik måte at flest mulig deler av materialet kan resirkuleres og at negativ innvirkning på miljøet blir holdt så lavt som mulig.



## Tekniske data

### Maskindata

Modell	Spindel- dimensjon in. (mm)	Delnummer	Vekt lb (kg)	Lengde in. (mm)	Slagfrekvens (Hz)	Luftforbruk foot <sup>3</sup> /min (l/s)
CP 0111 CHLA	Hexagon 1x4¼ (25x108)	8900 0001 20	29.9 (13)	22½ (572)	29–32	35–45 (17–21)
CP 0111 CHIT	Hexagon 7⁄8x3¼ (22x82,5)	8900 0001 41	29.9 (13)	22 13⁄16 (580)	29–32	35–45 (17–21)



## SVENSKA

# Innehåll

<b>Inledning</b> .....	161
<b>Om säkerhetsinstruktionen och bruksanvisningen</b> .....	161
<b>Säkerhetsinstruktioner</b> .....	162
Säkerhetssymboler.....	162
Personliga försiktighetsåtgärder och utbildning.....	162
Installation, säkerhetsåtgärder.....	162
Drift, säkerhetsåtgärder.....	163
Förvaring, säkerhetsåtgärder.....	165
Underhåll, säkerhetsåtgärder.....	165
<b>Översikt</b> .....	166
Konstruktion och användningsområde.....	166
Välja rätt tryckluftsspett för en uppgift.....	166
Maskinens huvuddelar.....	166
Skyltar och dekalor.....	166
<b>Installation</b> .....	167
Slangar och anslutningar.....	167
Åtgärder för att förhindra frysning.....	167
Ansluta en vattenavskiljare.....	167
Smörjning.....	167
Insatsverktyg.....	168
<b>Drift</b> .....	168
Start och stopp.....	169
Drift.....	169
När du tar rast.....	169
<b>Underhåll</b> .....	169
Dagligen.....	170
Regelbundet underhåll.....	170
Monteringsinstruktioner.....	170
<b>Felsökning</b> .....	170
<b>Förvaring</b> .....	171
<b>Kassering</b> .....	171
<b>Tekniska specifikationer</b> .....	172
Maskindata.....	172



## Inledning

Tack för att du har valt Chicago Pneumatic som leverantör av verktyg och tjänster. Chicago Pneumatic är ett globalt företag som erbjuder ett brett sortiment av tryckluftswerktyg och hydrauliska verktyg, däribland tryckluftsspett, bergbormaskiner, mejselhammare, nitborttagningshammare, rost- och svetshackor, pumpar och mycket annat.

År 2001 firade Chicago Pneumatic Tool Company 100 år som pionjär och marknadsledare inom tryckluftswerktyg. Chicago Pneumatic har alltid fokuserat på att erbjuda kraftfulla och pålitliga produkter som är enkla att underhålla och ger bra valuta för pengarna. Denna strategi har gjort oss marknadsledande inom luftverktyg i USA.

Läs mer på [www.cp.com](http://www.cp.com)

## Om säkerhetsinstruktionen och bruksanvisningen

Syftet med säkerhetsinstruktionen och bruksanvisningen är att ge dig kunskap om hur man använder tryckluftsspettet på ett effektivt och säkert sätt. Du får även råd och information om hur du ska utföra regelbundet underhåll på tryckluftsspettet.

Innan du använder tryckluftsspettet för första gången måste du läsa igenom dessa instruktioner noggrant och vara säker på att du förstår dem helt och hållet.

## Säkerhetsinstruktioner

För att minska risken för allvarliga personskador (eller till och med dödsfall) för dig själv och andra, ska du läsa igenom dessa säkerhetsinstruktioner noggrant innan du använder maskinen.

Sätt upp dessa säkerhetsinstruktioner på arbetsplatsen, dela ut kopior till de anställda och se till att alla läser instruktionerna innan de använder eller utför service på maskinen.

Följ alla säkerhetsföreskrifter.

## Säkerhetssymboler

Signalorden FARA, Varning och Varsamhet har följande betydelser:

<b>FARA</b>	Indikerar en överhängande farlig situation som – om den inte undviks – kommer att leda till dödsfall eller allvarlig personskada.
<b>VARNING</b>	Indikerar en farlig situation som – om den inte undviks – kan leda till dödsfall eller allvarlig personskada.
<b>VARSAMHET</b>	Indikerar en farlig situation som – om den inte undviks – kan leda till lindrig eller måttlig personskada.

## Personliga försiktighetsåtgärder och utbildning

Endast kvalificerad och utbildad personal får använda eller utföra underhåll på maskinen. Använd alltid sunt förnuft och gott omdöme.

### Personlig skyddsutrustning

Använd alltid godkänd skyddsutrustning. Maskinanvändarna och alla andra personer som vistas inom arbetsområdet måste bära minst följande skyddsutrustning:

- > Skyddshjälm
- > Hörselskydd
- > Slagtåliga skyddsglasögon med sidoskydd
- > Andningsskydd, vid behov
- > Skyddshandskar
- > Lämpliga skyddsskor

- > Lämplig arbetsoverall eller liknande kläder (inte löst sittande plagg) som täcker armar och ben.

### Droger, alkohol eller läkemedel

#### ▲ VARNING Droger, alkohol eller läkemedel

Droger, alkohol och läkemedel kan påverka ditt omdöme och koncentrationsförmåga. Dålig reaktionsförmåga och felbedömningar kan leda till allvarliga olyckor eller dödsfall.

- ▶ Använd inte maskinen när du är trött eller påverkad av alkohol, droger eller läkemedel.
- ▶ Personer som är påverkad av alkohol, droger eller läkemedel får inte använda maskinen.

## Installation, säkerhetsåtgärder

### ▲ FARA Kastande luftslang

En tryckluftssläng som lossnar kan kastas runt och leda till personskador eller dödsfall.

- ▶ Kontrollera att tryckluftsslängen och anslutningar inte är skadade.
- ▶ Kontrollera att alla tryckluftsanslutningar är riktigt anslutna.
- ▶ Försök aldrig koppla isär en tryckluftssläng som är trycksatt. Stäng först av tryckluften på kompressorn och avlufta sedan maskinen genom att aktivera start- och stoppanordningen.
- ▶ Rikta aldrig en tryckluftssläng mot dig själv eller någon annan. För att förhindra risken för personskador ska inte tryckluft användas för att blåsa bort t.ex. damm, smuts m.m. från kläderna.

### ▲ VARNING Utslungat insatsverktyg

Om huven på maskinen inte är i låst kan insatsverktyget kastas ut med stor kraft och orsaka personskador.

- ▶ Starta inte maskinen under byte av insatsverktyg.
- ▶ Vid byte av insatsverktyg – stäng av maskinen och tryckluftsförsörjningen och avlufta maskinen genom att aktivera start- och stoppanordningen.
- ▶ Rikta inte insatsverktyget mot dig själv eller någon annan.
- ▶ Se till att insatsverktyget är ordenligt monterat och att huven är låst innan maskinen startas.
- ▶ Kontrollera låsfunktionen genom att dra insatsverktyget utåt med kraft.



### ▲ **VARNING** Rörligt/löst insatsverktyg

En felaktig dimension på insatsverktygets nacke kan leda till att insatsverktyget tappas eller glider ur under användningen. Risk för allvarliga skador eller klämskador på fingrar och händer.

- ▶ Kontrollera att nacken på insatsverktyget har rätt dimensioner för maskinen som ska användas.
- ▶ Insatsverktyg utan krage får inte användas.

## **Drift, säkerhetsåtgärder**

### ▲ **FARA** Explosionsrisk

Om insatsverktyget kommer i kontakt med sprängämnen kan en explosion inträffa. Vid arbete med vissa material kan gnistor och brand uppstå. Explosioner kan orsaka allvarliga personskador eller dödsfall.

- ▶ Använd aldrig maskinen i explosiva miljöer.
- ▶ Använd inte maskinen nära brännbara material, ångor eller damm.
- ▶ Kontrollera att det inte finns några okända gaskällor eller sprängämnen i närheten.

### ▲ **VARNING** Oförutsedda rörelser

Insatsverktyget utsätts för hög belastning när maskinen används. Insatsverktyget kan gå sönder på grund av materialutmattning efter en viss tids användning. Om insatsverktyget går sönder eller fastnar kan maskinen göra plötsliga eller våldsamma kast som kan orsaka personskador. Dessutom kan skador uppstå om du tappar balansen eller halkar.

- ▶ Se till att du alltid står stabilt med fötterna lika brett isär som dina axlar och med kroppen i balans.
- ▶ Kontrollera alltid utrustningen före användning. Använd inte utrustningen om du misstänker att den är skadad.
- ▶ Se till att handtagen är rena och fria från smörj fett och olja.
- ▶ Håll fötterna på avstånd från insatsverktyget.
- ▶ Stå stadigt och håll alltid i maskinen med bägge händerna.
- ▶ Starta inte maskinen när den ligger på marken.
- ▶ Sitt inte gränsle över maskinen med ena benet över handtaget.
- ▶ Slå inte på eller på annat sätt missbruka utrustningen.

- ▶ Kontrollera regelbundet att insatsverktyget inte är slitet och kontrollera om det finns några tecken på skador eller synliga sprickor.
- ▶ Var uppmärksam och fokuserad på arbetsuppgiften.

### ▲ **VARNING** Risker med kiseldioxid

Exponering för kristallin kiseldioxid (kallas ibland "kvarstdamm") som uppstår genom brytning, borring, krossning eller andra aktiviteter som berör sten, betong, asfalt eller andra material kan orsaka silikos (en allvarlig lungsjukdom), silikosrelaterade sjukdomar, cancer eller dödsfall. Kiseldioxid är en viktig beståndsdel i sten, sand och mineralmalmer. För att minska exponeringen för kiseldioxid:

- ▶ Använd rätt tekniska metoder för att minska mängden kiseldioxid i luften och ansamlingen av damm på utrustning och ytor. Exempel på sådana åtgärder är: utsugsventilation och stoftavskiljare, vattenspray och våtbörning. Se till att tekniska åtgärder genomförs och upprätthålls ordenligt.
- ▶ Godkända andningsskydd med partikelfilter ska bäras, underhållas och användas på rätt sätt när det inte går att minska exponeringen till tillåtna nivåer med enbart tekniska metoder.
- ▶ Delta i luftkontroller, medicinska undersökningar och utbildningsprogram när arbetsgivaren erbjuder det och när lagen kräver det.
- ▶ Använd tvättbara skyddskläder eller skyddskläder för engångsbruk på arbetsplatsen. Duscha och byt om till rena kläder innan du lämnar arbetsplatsen för att minska exponering för kiseldioxid för både dig själv och andra personer, bilar, hem och andra områden där du eventuellt vistas efter arbetstid.
- ▶ Undvik att äta, dricka eller att använda tobaksprodukter på platser där det finns damm som innehåller kristallin kiseldioxid.
- ▶ Tvätta händer och ansikte innan du äter, dricker eller använder tobaksprodukter utanför exponeringsområdet.
- ▶ Arbeta tillsammans med arbetsgivaren för att minska exponeringen för kiseldioxid på arbetsplatsen.

**▲ VARNING Faror med damm**

Damm, ångor eller annat luftburet material som uppstår vid användning av maskinen kan innehålla kemikalier som enligt staten Kalifornien kan orsaka cancer och ge upphov till fosterskador eller andra fortplantningsskador. Några exempel på sådana kemikalier är:

- > Kristallin kiseldioxid, cement och andra produkter för murning.
- > Arsenik och krom från kemiskt behandlat gummi.
- > Bly från blybaserade målarfärger.
- ▶ För att minska exponeringen för dessa kemikalier ska man arbeta på platser med god ventilation och använda godkänd skyddsutrustning, exempelvis andningsskydd som är specialkonstruerade för att filtrera bort mikroskopiska partiklar.

**▲ VARNING Kringflygande föremål**

Under användning kan flisor eller andra föremål från arbetsmaterialet flyga iväg och orsaka personskador genom att träffa maskinanvändaren eller andra personer.

- ▶ Använd godkänd personlig skyddsutrustning inklusive slagåliga skyddsglasögon med sidoskydd.
- ▶ Håll obehöriga personer på avstånd från arbetsområdet.
- ▶ Håll arbetsplatsen ren och fri från främmande föremål.

**▲ VARNING Vibrationsfaror**

Normal och korrekt användning av maskinen utsätter användaren för vibrationer. Regelbunden och frekvent exponering för vibrationer kan orsaka, bidra till eller förvärra skador eller problem i användarens fingrar, händer, handleder, armar, skuldror och/eller andra kroppsdelar. Detta omfattar försvagningar och/eller permanenta skador eller problem som kan utvecklas gradvis under flera veckor, månader eller år. Sådana skador eller problem kan omfatta skador på blodomlopp, nervsystem och leder men även på andra kroppsstrukturer.

Sluta använd maskinen och kontakta läkare vid besvär med domningar, stickningar, värk, försämrad finmotorik eller greppförmåga, om huden vitnar eller andra symptom uppstår vid användning av maskinen eller efter användning av maskinen. Fortsatt användning av maskinen när sådana symptom uppstår kan öka risken för att symptomen förvärras och/eller blir bestående.

Följande åtgärder kan bidra till att minska exponeringen för vibrationer:

- ▶ Låt maskinen göra jobbet. Håll inte hårdare i handtaget än vad som behövs för kontroll och säker drift.
- ▶ När slagmekanismen är aktiverad ska du inte ha någon kroppskontakt med maskinen förutom dina händer på handtaget/handtagen. Du ska till exempel inte stödja någon del av kroppen mot maskinen eller luta dig mot den för att försöka öka matningskraften. Det är dessutom viktigt att inte hålla inne start- och stoppanordningen när man drar ut insatsverktyget från det krossade materialet.
- ▶ Se till att insatsverktyget är i bra skick (samt att det är vasst om det är ett skärverktyg), har rätt storlek och inte är utslitet. Insatsverktyg som inte underhålls på rätt sätt, som är utslitna eller som har fel storlek gör att arbetet tar längre tid (vilket medför längre exponering för vibrationer) och kan resultera i eller bidra till att användaren utsätts för mer vibrationer.
- ▶ Sluta arbetet omedelbart om maskinen plötsligt börjar vibrera våldsamt. Ta reda på orsaken till de ökade vibrationerna och åtgärda felet innan du återupptar arbetet.
- ▶ Du får inte ta tag i, hålla i eller vidröra insatsverktyget medan maskinen är igång.
- ▶ Delta i hälsokontroller, medicinska undersökningar och utbildningsprogram när arbetsgivaren erbjuder det eller när lagen kräver det.





Se maskinens "Buller- och vibrationsdeklaration", inklusive de angivna vibrationsvärdena och "Ytterligare vibrationsinformation". Dessa avsnitt finns i slutet av denna säkerhetsinstruktion och bruksanvisning.

- ◆ Använd rekommenderat lufttryck vid användning av maskinen. Såväl högre som lägre lufttryck kan leda till ökade vibrationer.

### ▲ FARA Elektriska faror

Maskinen är inte elektriskt isolerad. Om maskinen kommer i kontakt med elektricitet kan allvarliga personskador eller dödsfall inträffa.

- ▶ Använd inte maskinen i närheten av elledningar eller andra elektriska källor.
- ▶ Säkerställ att det inte finns några dolda ledningar eller andra elektriska källor i arbetsområdet.

### ▲ VARNING Faror med dolda föremål

Under drift kan dolda ledningar och rör utgöra en fara som kan leda till allvarliga personskador.

- ▶ Kontrollera materialets sammansättning innan du påbörjar arbetet.
- ▶ Se upp för dolda ledningar och rör, exempelvis som el, telefon, vatten, gas och avlopp.
- ▶ Stäng omedelbart av maskinen om insatsverktyget verkar ha slagit emot ett dolt föremål.
- ▶ Påbörja inte arbetet igen förrän det är riskfritt att fortsätta.

### ▲ VARNING Oavsiktlig start

Oavsiktlig start av maskinen kan leda till personskador.

- ▶ Håll händerna borta från start- och stoppanordningen tills arbetet skall påbörjas.
- ▶ Lär dig hur man stänger av maskinen i händelse av nödfall.
- ▶ Släpp omedelbart start- och stoppanordningen vid strömbrott.
- ▶ Stäng av tryckluften och koppla bort maskinen från strömförsörjningen innan du monterar/tar bort insatsverktyget. Avlufta maskinen genom att aktivera start- och stoppanordningen.

### ▲ VARNING Bullerfaror

Höga ljudnivåer kan orsaka bestående hörselskador.

- ▶ Använd hörselskydd i enlighet med gällande hälsoskyddsföreskrifter.

## Förvaring, säkerhetsåtgärder

- ◆ Förvara maskiner och verktyg på en säker, låst plats utom räckhåll för barn.

## Underhåll, säkerhetsåtgärder

### ▲ VARNING Maskinmodifieringar

Modifieringar av maskinen kan leda till att du själv eller andra personer skadas.

- ▶ Modifiera inte maskinen.
- ▶ Använd alltid originaldelar och tillbehör som godkänts av Chicago Pneumatic.

### ▲ VARSAMHET Varmt insatsverktyg

Spetsen på insatsverktyget blir varmt under användningen. Brännskador kan uppstå om du rör spetsen.

- ▶ Ta inte på ett varmt insatsverktyg.
- ▶ Vänta tills insatsverktyget har svalnat innan du utför något underhåll på maskinen.

## Översikt

För att minska risken för allvarliga personskador eller till och med dödsfall ska du läsa avsnittet med säkerhetsinstruktionerna på de föregående sidorna i denna bruksanvisning innan du använder maskinen.

## Konstruktion och användningsområde

Det handhållna tryckluftsspettet CP 0111 är avsedd för lätta till normala anläggnings- och underhållsarbeten.

CP 0111 CHLA och CP 0111 CHIT är försedda med ett D-handtag och kan användas både horisontellt och vertikalt.

Ingen annan användning är tillåten.

Se reservdelslistan för val av rätt insatsverktyg.

## Välja rätt tryckluftsspett för en uppgift

Det är viktigt att välja rätt storlek på tryckluftsspettet för arbetet som ska utföras.

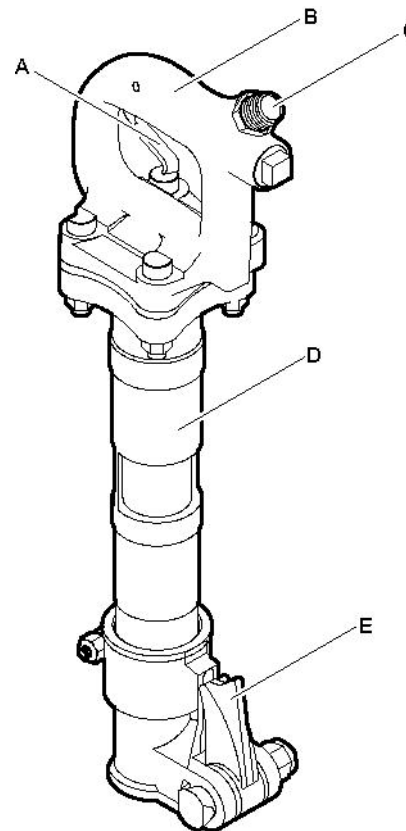
Ett tryckluftsspett som är för litet gör att arbetet tar längre tid.

Ett för stort tryckluftsspett gör att man måste flytta det hela tiden, vilket blir onödigt arbetsamt för användaren.

En enkel regel när man ska välja storlek på tryckluftsspettet är att en bit material av normalstorlek ska kunna avlägsnas från arbetsstycket inom 10–20 sekunder.

- > Välj ett mindre tryckluftsspett om det tar det mindre än 10 sekunder.
- > Välj ett större tryckluftsspett om det tar det mer än 20 sekunder.

## Maskinens huvuddelar



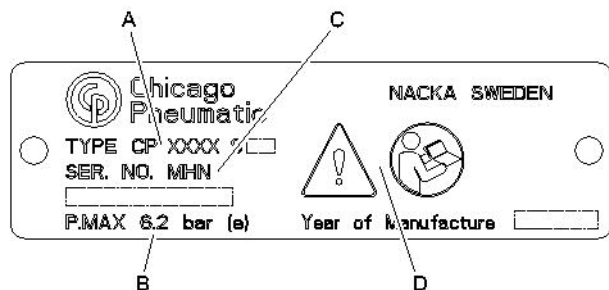
- A. Start- och stoppanordning (trycke)
- B. Handtag
- C. Luftintag
- D. Cylinder
- E. Lås (verktygshållare)

## Skyltar och dekaler

Maskinen är försedd med skyltar och dekaler som innehåller viktig information om personlig säkerhet och maskinunderhåll. Skyltarna och dekalerne måste alltid vara läsbara. Nya skyltar och dekaler kan beställas med hjälp av reservdelslistan.



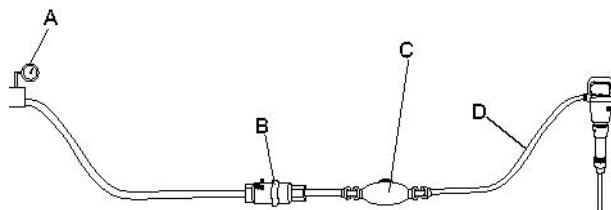
## Typskylt



- A. Modell
- B. Maximalt tillåtet lufttryck
- C. Serienummer
- D. Varningssymbol ihop med boksymbol innebär att användaren ska läsa igenom säkerhetsinstruktionen och bruksanvisningen innan maskinen används för första gången.

## Installation

### Slangar och anslutningar



- A. Tryckluftskälla
  - B. Vattenavskiljare (tillval)
  - C. Smörjapparat (tillval)
  - D. Max 10 feet (3 meter) tryckluftsslang mellan smörjapparaten och maskinen.
- ♦ Kontrollera att du använder det rekommenderade arbetstrycket på 87 psig (6 bar (e)).
  - ♦ Det högsta tillåtna lufttrycket 90 psig (6,2 bar (e)) får ej överskridas.
  - ♦ Blås ur eventuella föroreningar ur tryckluftsslangen innan du ansluter den till maskinen.

- ♦ Välj rätt dimension och längd på tryckluftsslangen. Använd en slang med en innerdiameter på minst 3/4" (19 mm) för slanglängder upp till 100 feet (30 meter). För slanglängder på mellan 100 och 300 feet (30-90 meter) ska du använda en slang med en innerdiameter på minst 1" (25 mm).

## Åtgärder för att förhindra frysning

Isbildning i ljudämparen kan uppstå om temperaturen på omgivningsluften är 32-50 °F (0-10 °C) och den relativa luftfuktigheten är hög.

Maskinen är utformad för att motverka isbildning i ljudämparen. Trots detta kan det bildas is i ljudämparen under extrema förhållanden.

Följande åtgärder kan vidtas för att ytterligare motverka risken för isbildning:

- ♦ Använd en luftverktygsolja med frostskyddsmedel.
- ♦ Använd vattenavskiljare.

## Ansluta en vattenavskiljare

Luftslangen mellan kompressorn och vattenavskiljaren måste vara så lång att vattenången kylls och kondenseras i slangen innan den når vattenavskiljaren.

Vid en omgivningstemperatur under 32 °F (0 °C) skall slangen vara så kort att vattnet inte hinner frysa innan det når vattenavskiljaren.

## Smörjning

### Smörjning

Smörjmedlet är viktigt för maskinens funktion och har stor inverkan på maskinens livslängd. För att tillföra rätt mängd olja bör en smörjapparat anslutas till luftslangen. Vi rekommenderar Chicago Pneumatics smörjapparat för luftledningar. För att garantera god smörjning får längden på luftslangen mellan smörjapparaten och tryckluftspettet inte överstiga 10 feet (3 meter).

För mycket smörjning kan orsaka startproblem, svag slagkraft eller ojämn gång.

Rekommenderat smörjmedel: Luftverktygsolja med en viskositet på 100-150 SUS vid 100 °F (ISO VG 22-32).

Vi rekommenderar en olja som innehåller rostskyddsmedel.

## Insatsverktyg

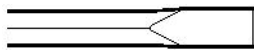
### Välja rätt insatsverktyg

Rätt insatsverktyg är en förutsättning för att maskinen ska fungera bra. För att undvika onödiga skador på maskinen är det viktigt att välja insatsverktyg av hög kvalitet.

**OBS!** Maskinen kan gå sönder om du använder fel insatsverktyg.

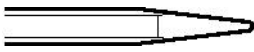
Rekommenderade insatsverktyg finns angivna i maskinens reservdelslista.

### Flatmejsel



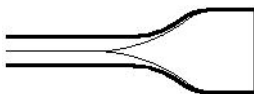
Flatmejsel bör användas vid rivning och skärbete i betong och andra hårda material.

### Pikmejsel



Pikmejseln används endast för håltagning i betong och andra hårda material.

### Bredmejsel

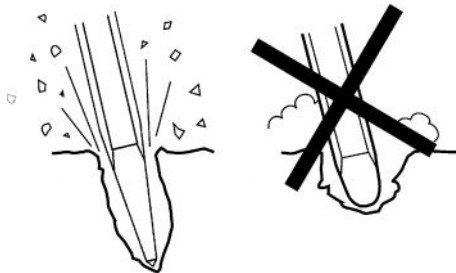


Bredmejseln används för mjuka material som till exempel asfalt och frusen mark.

### ▲ VARNING Vibrationsfaror

Insatsverktyg som inte möter de nedanstående kraven gör att arbetet tar längre tid att utföra och kan leda till ökade vibrationer. Slitna insatsverktyg gör dessutom att arbetet tar längre tid.

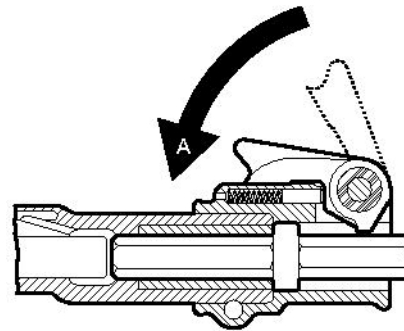
- ▶ Se till att insatsverktyget är i bra skick, inte är utslitet och har rätt storlek.
- ▶ Använd alltid vassa insatsverktyg för att arbeta effektivt.



### Montera och demontera insatsverktyget

Följ alltid nedanstående instruktioner när du monterar/tar bort insatsverktyget:

1. För att förhindra en oavsiktlig start av maskinen: stäng av tryckluften och koppla bort maskinen från strömförsörjningen. Avlufta maskinen genom att trycka in start- och stoppanordningen.
2. Smörj verktygsnacken med smörjfett innan du monterar insatsverktyget.
3. Montera/ta loss insatsverktyget.
- 4.



Stäng verktyghållaren (position A) och kontrollera låsfunktionen genom att dra insatsverktyget utåt med kraft.

## Drift

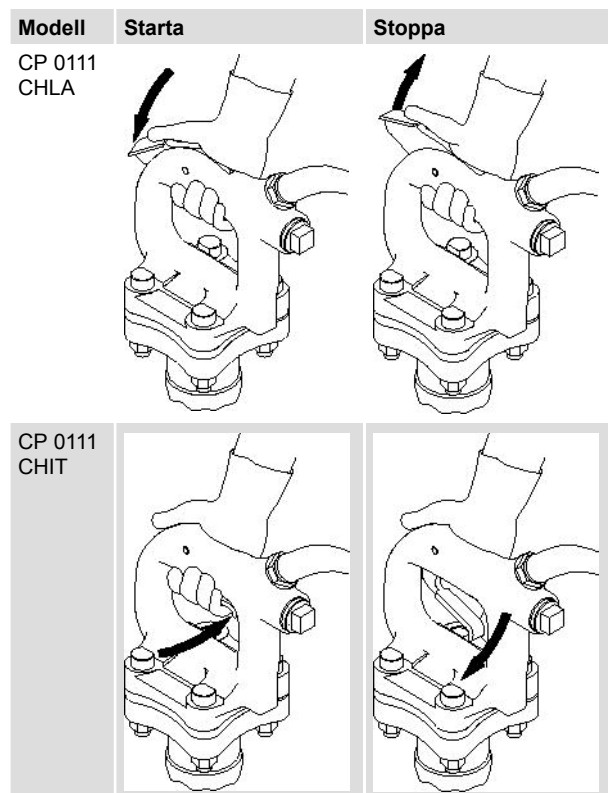
### ▲ VARNING Oavsiktlig start

Oavsiktlig start av maskinen kan leda till personskador.

- ▶ Håll händerna borta från start- stoppanordningen tills arbetet skall påbörjas.
- ▶ Lär dig hur maskinen stängs av i händelse av nödfall.
- ▶ Släpp omedelbart start- och stoppanordningen vid strömavbrott.



## Start och stopp



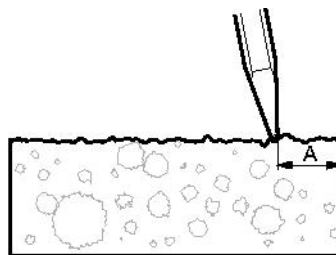
- ◆ Starta maskinen genom att hålla stadigt i handtaget och trycka in start- och stoppanordningen.
- ◆ Stoppa maskinen genom att släppa trycket. Start- och stoppanordningen återgår automatiskt till stoppläget.

## Drift

### Påbörja skärbetet

- ◆ Stå stadigt med fötterna på säkert avstånd från insatsverktyget.
- ◆ Tryck maskinen mot arbetsytan innan du börjar.
- ◆ Maskinens arbetshastighet regleras med trycket.
- ◆ Gör ansättning på sådant avstånd från kanten att maskinen kan spräcka materialet utan att brytning.

- ◆ Försök inte ta loss för stora bitar. Anpassa brytavståndet (A) så att insatsverktyget inte fastnar.



### Brytning

- ◆ Låt maskinen göra jobbet. Tryck inte för hårt.
- ◆ Undvik att arbeta i extremt hårda material som t.ex. granit och armeringsjärn eftersom de kan orsaka kraftiga vibrationer.
- ◆ Undvik alla former av tomgångskörning, drift utan insatsverktyg eller drift utan matningstryck.
- ◆ Start- och stoppanordningen skall inte vara aktiverad då maskinen saknar matningstryck.
- ◆ Kontrollera regelbundet att maskinen är välsmord.

## När du tar rast

- ◆ Vid rast skall maskinen placeras så att den inte startas av misstag.
- ◆ Vid längre avbrott eller om du lämnar arbetsplatsen: Stäng av tryckluftsförsörjningen och avlufta sedan maskinen genom att aktivera start- och stoppanordningen.

## Underhåll

Regelbundet underhåll är en förutsättning för att maskinen ska fortsätta vara säker och effektiv att använda. Följ instruktionerna noggrant.

- ◆ Använd endast originaldelar. Eventuella skador eller fel som uppstår genom användning av ej godkända delar täcks inte av garantin eller tillverkarens produktansvar.
- ◆ Följ gällande föreskrifter för hälsa och säkerhet och sörg för god ventilation vid rengöring av mekaniska delar med lösningsmedel.
- ◆ Kontakta din närmaste auktoriserade verkstad för mer omfattande service av maskinen.

## Dagligen

Stäng av och avlufta maskinen genom att trycka in start- och stoppanordningen innan du utför underhåll på tryckluftsmaskiner eller byter insatsverktyg. Koppla sedan bort luftslangen från maskinen.

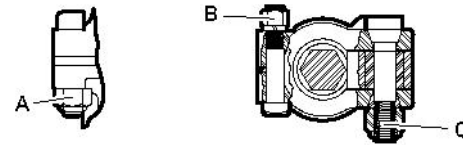
- ◆ Rengör och inspektera maskinen dagligen.
- ◆ Kontrollera att huven fungerar som den ska och inte är sliten.
- ◆ Gör en allmän inspektion för att identifiera eventuella läckor eller skador.
- ◆ Kontrollera att luftpipeln är åtdragen och att klockopplingen är oskadad.
- ◆ Kontrollera alltid följande för att maskinen ska bibehålla de angivna vibrationsvärdena:  
Alltför stort spelrum mellan insatsverktygets nacke och mejselbussningen ger upphov till ökade vibrationer. Kontrollera slitaget på mejselbussningen dagligen för att undvika onödiga vibrationer.
- ◆ Byt omedelbart ut skadade delar.
- ◆ Byt ut skadade och utslitna komponenter i god tid.
- ◆ Se till att all ansluten utrustning och kringutrustning såsom slangar, vattenavskiljare och smörjapparat underhålls ordentligt.

## Regelbundet underhåll

Efter varje driftsperiod om ungefär 150 arbetstimmar eller tre gånger om året ska maskinen tas isär och alla delar rengöras och kontrolleras. Detta arbete skall utföras av behörig personal med utbildning för denna uppgift.

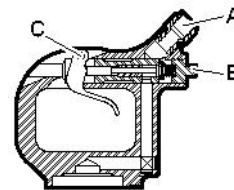
## Monteringsinstruktioner

### CP 0111 i allmänhet



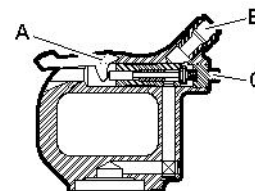
- A. Åtdragningsmoment: 115–125 lbf.ft (156–169 Nm)
- B. Åtdragningsmoment: 80–85 lbf.ft (109–115 Nm)
- C. Åtdragningsmoment: 65–70 lbf.ft (88–95 Nm)

### CP 0111 CHIT



- A. Åtdragningsmoment: 85–95 lbf.ft (115–128 Nm), använd Loctite® 243™
- B. Åtdragningsmoment: 85–95 lbf.ft (115–128 Nm)
- C. Infattningen bearbetad för att hålla fast stiftet.

### CP 0111 CHLA



- A. Infattningen bearbetad för att hålla fast stiftet.
- B. Åtdragningsmoment: 85–95 lbf.ft (115–128 Nm), använd Loctite® 243™
- C. Åtdragningsmoment: 85–95 lbf.ft (115–128 Nm)

## Felsökning

Kontrollera följande punkter om tryckluftsspettet inte startar, har låg effekt eller går ojämnt.



- ◆ Kontrollera att insatsverktyget som används har rätt dimension på nacken.
- ◆ Kontrollera att tryckluftspettet får rätt mängd smörjmedel. För mycket smörjmedel kan orsaka startproblem, svag slagkraft eller ojämn gång.
- ◆ Kontrollera att tryckluftssystemet ger maskinen tillräckligt lufttryck för att uppnå full effekt.
- ◆ Kontrollera att luftslangens diameter och längd följer rekommendationerna. Se avsnittet "Installation".
- ◆ Om det finns risk för frysning, kontrollera att maskinens utloppsportar inte är blockerade.
- ◆ Om maskinen fortfarande inte fungerar som den ska måste du kontakta en auktoriserad serviceverkstad.

## Förvaring

- > Se till att maskinen är riktigt rengjord innan förvaring.
- > Häll cirka 5 cl olja direkt i luftnippeln, anslut maskinen till tryckluftsförsörjningen och kör den några sekunder.
- > Förvara alltid maskinen på en torr plats.

## Kassering

En uttjänt maskin skall hanteras och kasseras på ett sådant sätt att största möjliga del av materialet kan återvinnas. All form av negativ inverkan på miljön skall i möjligaste mån undvikas.

# Tekniska specifikationer

## Maskindata

Modell	Nacke in. (mm)	Artikelnr.	Vikt lb (kg)	Längd in. (mm)	Slagfrekvens (Hz)	Luffförbrukning foot <sup>3</sup> /min (l/s)
CP 0111 CHLA	Hexagon 1x4¼ (25x108)	8900 0001 20	29.9 (13)	22½ (572)	29–32	35–45 (17–21)
CP 0111 CHIT	Hexagon 7⁄8x3¼ (22x82,5)	8900 0001 41	29.9 (13)	22 13⁄16 (580)	29–32	35–45 (17–21)











**2009-03**

**No.9800 0809 90**

© Copyright Chicago Pneumatic Construction Tools  
STOCKHÖLM • SWEDEN

**Chicago Pneumatic Construction Tools**