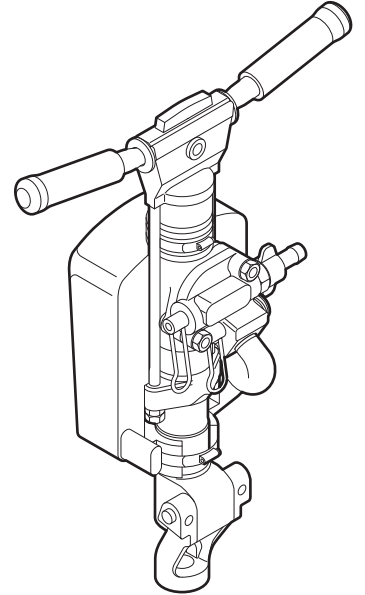


Safety and operating instructions

Rock drills

- Ⓡ **FR** Prescriptions de sécurité et instructions pour l'opérateur
Perforateur
- Ⓡ **DE** Sicherheits- und Betriebsanleitung
Bohrhämmer
- Ⓡ **ES** Instrucciones de seguridad y de funcionamiento
Perforadoras
- Ⓡ **PT** Instruções de segurança e operação
Perfuradores de rocha
- Ⓡ **IT** Istruzioni per la sicurezza e per l'uso
Perforatrici
- Ⓡ **NL** Veiligheidsvoorschriften en bedieningshandleiding
Steenboren
- Ⓡ **GR** Οδηγίες ασφάλειας και χειρισμού
Γεωτρύπανα
- Ⓡ **FI** Turvallisuusohjeet ja käyttöohje
Kallioporat
- Ⓡ **DK** Sikkerhedsinstruktioner og betjeningsvejledning
Bjergborehamre
- Ⓡ **NO** Sikkerhetsinstrukser og bruksanvisning
Bergboremaskiner
- Ⓡ **SE** Säkerhetsinstruktion och instruktionsbok
Bergbormaskiner



Contents

ENGLISH.....	4
FRANÇAIS.....	26
DEUTSCH.....	50
ESPAÑOL.....	74
PORTUGUÊS.....	98
ITALIANO.....	122
NEDERLANDS.....	146
ΕΛΛΗΝΙΚΑ.....	170
SUOMI.....	194
DANSK.....	216
NORSK.....	238
SVENSKA.....	260

ENGLISH

Contents

- Introduction..... 7
- About the Safety and operating instructions..... 7
- Safety instructions..... 8
 - Safety signal words..... 8
 - Personal precautions and qualifications..... 8
 - Personal protective equipment..... 8
 - Drugs, alcohol or medication..... 8
 - Installation, precautions..... 8
 - Operation, precautions..... 9
 - Maintenance, precautions..... 12
 - Storage, precautions..... 12
- Overview..... 13
 - Design and function..... 13
 - Working principle of a rock drill..... 13
 - Control valve mechanism..... 13
 - Rotation mechanism..... 13
 - Flushing..... 13
 - Main parts..... 13
 - Labels..... 14
 - Data plate..... 14
 - Safety label..... 14
- Installation..... 14
 - Unpacking the rock drill..... 14
 - Plastic guards..... 14
 - Assembly..... 15
 - Lubricate..... 15
 - Hoses and connections..... 15
 - Methods to prevent freezing..... 15
 - Connecting a water separator..... 15
 - Lubrication..... 15
 - Pressure adjustment..... 16
 - Air pressure..... 16
 - Calibrate the correct air pressure..... 16
 - Drill steel..... 16
 - Before fitting the drill steel..... 16
 - Fitting the drill steel..... 16
 - Removing the drill steel..... 17
- Operation..... 17
 - Preparations before starting..... 18
 - Check the drilling equipment..... 18
 - Blow out the air hose..... 18
 - Fill the lubricator with oil..... 18
 - Controls..... 18
 - Throttle lever..... 18
 - Start and stop..... 19
 - Starting the rock drill..... 19
 - Stopping the rock drill..... 19
 - Operating..... 19
 - Drilling..... 19
 - When taking a break..... 19

Maintenance	19
Differences between original parts and pattern parts	19
Every day	20
Checking for wear	20
Periodic maintenance	20
Tightening torque	21
Damage patterns	21
Storage	21
Disposal	21
Technical data	22
Machine data	22
Noise and vibration declaration statement	22
Noise and vibration data	23
Accessories	23
EC Declaration of Conformity	24
EC Declaration of Conformity (EC Directive 2006/42/EC)	24

Introduction

Thank you for choosing a product from Atlas Copco. Since 1873, we have been committed to finding new and better ways of fulfilling our customers' needs. Through the years, we have developed innovative and ergonomic product designs that have helped customers improve and rationalize their daily work.

Atlas Copco has a strong global sales and service network, consisting of customer centers and distributors worldwide. Our experts are highly trained professionals with extensive product knowledge and application experience. In all corners of the world, we can offer product support and expertise to ensure that our customers can work at maximum efficiency at all times.

For more information please visit: www.atlascopco.com

Atlas Copco Construction Tools AB
105 23 Stockholm
Sweden

About the Safety and operating instructions

The aim of the instructions is to provide you with knowledge of how to use the rock drill in an efficient, safe way. The instructions also give you advice and tell you how to perform regular maintenance on the rock drill.

Before using the rock drill for the first time you must read these instructions carefully and understand all of them.

Safety instructions

To reduce the risk of serious injury or death to yourself or others, read and understand the Safety and operating instruction before installing, operating, repairing, maintaining, or changing accessories on the machine.

Post this Safety and operating instruction at work locations, provide copies to employees, and make sure that everyone reads the Safety and operating instruction before operating or servicing the machine.

In addition, the operator or the operator's employer must assess the specific risks that may be present as a result of each use of the machine.

Safety signal words

The safety signal words Danger, Warning and Caution have the following meanings:

DANGER	Indicates a hazardous situation which, if not avoided, will result in death or serious injury.
WARNING	Indicates a hazardous situation which, if not avoided, could result in death or serious injury.
CAUTION	Indicates a hazardous situation which, if not avoided, could result in minor or moderate injury.

Personal precautions and qualifications

Only qualified and trained persons may operate or maintain the machine. They must be physically able to handle the bulk, weight, and power of the tool. Always use your common sense and good judgement.

Personal protective equipment

Always use approved protective equipment. Operators and all other persons in the working area must wear protective equipment, including at a minimum:

- Protective helmet
- Hearing protection
- Impact resistant eye protection with side protection
- Respiratory protection when appropriate
- Protective gloves
- Proper protective boots
- Appropriate work overall or similar clothing (not loose-fitting) that covers your arms and legs.

Drugs, alcohol or medication

▲ **WARNING** Drugs, alcohol or medication

Drugs, alcohol or medication may impair your judgment and powers of concentration. Poor reactions and incorrect assessments can lead to severe accidents or death.

- ▶ Never use the machine when you are tired or under the influence of drugs, alcohol or medication.
- ▶ No person who is under the influence of drugs, alcohol or medication may operate the machine.

Installation, precautions

▲ **DANGER** Whipping air hose

A compressed air hose that comes loose can lash around and cause personal injury or death. To reduce this risk:

- ▶ Check that the compressed air hose and the connections are not damaged, replace if necessary.
- ▶ Check that all compressed air connections are properly attached.
- ▶ Never carry a pneumatic machine by the air hose.
- ▶ Never attempt to disconnect a compressed air hose that is pressurized. First switch off the compressed air at the compressor and then bleed the machine by activating the start and stop device.
- ▶ Never point a compressed air hose at yourself or anyone else. To avoid the risk of getting injured, never use compressed air to blow for example dust, dirt etc. from your clothes.
- ▶ Do not use quick disconnect couplings at tool inlet. Use hardened steel (or material with comparable shock resistance) threaded hose fittings.
- ▶ Whenever universal twist couplings (claw couplings) are used, we recommend that lock pins are installed and whipcheck safety cables are used to safeguard against possible hose to tool and hose to hose connection failure.

▲ WARNING Ejected insertion tool

If the tool retainer on the machine is not in a locked position, the inserted tool can be ejected with force, which can cause personal injury.

- ▶ Never start the machine while changing the insertion tool.
- ▶ Before changing the insertion tool or accessories, stop the machine, switch off the power supply and bleed the machine by activating the start and stop device.
- ▶ Never point the inserted tool at yourself or anyone else.
- ▶ Make sure that the insertion tool is fully inserted and the tool retainer is in a locked position before the machine is started.
- ▶ Check the locking function by pulling the inserted tool outwards forcefully.

▲ WARNING Moving or slipping insertion tool

An incorrect dimension of the inserted tool's shank can result in that the inserted tool is lost or is slipping out during operation. Risk of severe injury or crushed hands and fingers.

- ▶ Check that the insertion tool has the shank length and dimensions that the machine is intended for.
- ▶ Never use an insertion tool without a collar.

Operation, precautions

▲ DANGER Explosion hazard

If a warm insertion tool comes into contact with explosives, an explosion could occur. During operation with certain materials as well as use of certain materials in machine parts, sparks and ignition can occur. Explosions will lead to severe injuries or death.

- ▶ Never operate the machine in any explosive environment.
- ▶ Never use the machine near flammable materials, fumes or dust.
- ▶ Make sure that there are no undetected sources of gas or explosives.
- ▶ Never drill in an old hole.

▲ WARNING Unexpected movements

The inserted tool is exposed to heavy strains when the machine is used. The inserted tool may break due to fatigue after a certain amount of use. If the inserted tool breaks or gets stuck, there may be sudden and unexpected movement that can cause injuries. Furthermore, losing your balance or slipping may cause injury.

- ▶ Make sure that you always keep a stable position with your feet as far apart as your shoulder width, and keeping a balanced body weight.
- ▶ Always inspect the equipment prior to use. Never use the equipment if you suspect that it is damaged.
- ▶ Make sure that the handles are clean and free of grease and oil.
- ▶ Keep your feet away from the inserted tool.
- ▶ Stand firmly and always hold on to the machine with both hands.
- ▶ Never drill in an old hole.
- ▶ Never start the machine when it is lying on the ground.
- ▶ Never 'ride' on the machine with one leg over the handle.
- ▶ Never strike or abuse the equipment.
- ▶ Check regularly for wear on the insertion tool, and check whether there are any signs of damage or visible cracks.
- ▶ Pay attention and look at what you are doing.

▲ WARNING Stalling hazard

If the insertion tool gets caught during operation, the whole machine will start to rotate if you lose your grip on it. This unexpected rotation of the entire machine may cause serious injury or death.

- ▶ Stand firmly and always hold onto the machine with both hands.
- ▶ Make sure that the handle or handles are clean and free from grease and oil.
- ▶ Never drill in an old hole.

▲ WARNING Trapping hazard

There is risk of neck ware, hair, gloves and clothes getting dragged into or caught by a rotating insertion tool or accessories. This may cause choking, scalping, lacerations or death. To reduce the risk:

- ▶ Never grab or touch a rotating drill steel.
- ▶ Avoid wearing clothing, neck ware or gloves that may get caught.
- ▶ Cover long hair with a hair net.

▲ WARNING Dust and fume hazard

Dusts and/or fumes generated or dispersed when using the machine may cause serious and permanent respiratory disease, illness, or other bodily injury (for example, silicosis or other irreversible lung disease that can be fatal, cancer, birth defects, and/or skin inflammation).

Some dusts and fumes created by drilling, breaking, hammering, sawing, grinding and other construction activities contain substances known to the State of California and other authorities to cause respiratory disease, cancer, birth defects, or other reproductive harm. Some examples of such substances are:

- Crystalline silica, cement, and other masonry products.
- Arsenic and chromium from chemically-treated rubber.
- Lead from lead-based paints.

Dust and fumes in the air can be invisible to the naked eye, so do not rely on eye sight to determine if there is dust or fumes in the air.

To reduce the risk of exposure to dust and fumes, do all of the following:

- ▶ Perform site-specific risk assessment. The risk assessment should include dust and fumes created by the use of the machine and the potential for disturbing existing dust.
- ▶ Use proper engineering controls to minimize the amount of dust and fumes in the air and to minimize build-up on equipment, surfaces, clothing, and body parts. Examples of controls include: exhaust ventilation and dust collection systems, water sprays, and wet drilling. Control dusts and fumes at the source where possible. Make sure that controls are properly installed, maintained and correctly used.
- ▶ Wear, maintain and correctly use respiratory protection as instructed by your employer and as required by occupational health and safety regulations. The respiratory protection must be effective for the type of substance at issue (and if applicable, approved by relevant governmental authority).
- ▶ Work in a well ventilated area.
- ▶ If the machine has an exhaust, direct the exhaust so as to reduce disturbance of dust in a dust filled environment.
- ▶ Operate and maintain the machine as recommended in the operating and safety instructions

- ▶ Select, maintain and replace consumables/ inserted tools/ other accessory as recommended in the operating and safety instructions. Incorrect selection or lack of maintenance of consumables/ inserted tools/ other accessories may cause an unnecessary increase in dust or fumes.
- ▶ Wear washable or disposable protective clothes at the worksite, and shower and change into clean clothes before leaving the worksite to reduce exposure of dust and fumes to yourself, other persons, cars, homes, and other areas.
- ▶ Avoid eating, drinking, and using tobacco products in areas where there is dust or fumes.
- ▶ Wash your hands and face thoroughly as soon as possible upon leaving the exposure area, and always before eating, drinking, using tobacco products, or making contact with other persons.
- ▶ Comply with all applicable laws and regulations, including occupational health and safety regulations.
- ▶ Participate in air monitoring, medical examination programs, and health and safety training programs provided by your employer or trade organizations and in accordance with occupational health and safety regulations and recommendations. Consult with physicians experienced with relevant occupational medicine.
- ▶ Work with your employer and trade organization to reduce dust and fume exposure at the worksite and to reduce the risks. Effective health and safety programs, policies and procedures for protecting workers and others against harmful exposure to dust and fumes should be established and implemented based on advice from health and safety experts. Consult with experts.

▲ WARNING Projectiles

Failure of the work piece, of accessories, or even of the machine itself may generate high velocity projectiles. During operating, splinters or other particles from the working material may become projectiles and cause personal injury by striking the operator or other persons. To reduce these risk:

- ▶ Use approved personal protective equipment and safety helmet, including impact resistant eye protection with side protection.
- ▶ Make sure that no unauthorised persons trespass into the working zone.
- ▶ Keep the workplace free from foreign objects.
- ▶ Ensure that the work piece is securely fixed.

▲ WARNING Splinters hazard

Using the insertion tool as a hand struck tool can result in splinters hitting the operator and can cause personal injury.

- ▶ Never use a insertion tool as a hand struck tool. They are specifically designed and heat-treated to be used only in a machine.

▲ WARNING Slipping, tripping and falling hazards

There is a risk of slipping or tripping or falling, for example tripping on the hoses or on other objects. Slipping or tripping or falling can cause injury. To reduce this risk:

- ▶ Always make sure that no hose or other object is in your way or in any other person's way.
- ▶ Always make sure you are in a stable position with your feet as far apart as your shoulders width and keeping a balanced body weight.

▲ WARNING Motion hazards

When using the machine to perform work-related activities, you may experience discomfort in the hands, arms, shoulders, neck, or other parts of the body.

- ▶ Adopt a comfortable posture whilst maintaining secure footing and avoiding awkward off-balanced postures.
- ▶ Changing posture during extended tasks may help avoid discomfort and fatigue.
- ▶ In case of persistent or recurring symptoms, consult a qualified health professional.

▲ WARNING Vibration hazards

Normal and proper use of the machine exposes the operator to vibration. Regular and frequent exposure to vibration may cause, contribute to, or aggravate injury or disorders to the operator's fingers, hands, wrists, arms, shoulders and/or nerves and blood supply or other body parts, including debilitating and/or permanent injuries or disorders that may develop gradually over periods of weeks, months, or years. Such injuries or disorders may include damage to the blood circulatory system, damage to the nervous system, damage to joints, and possibly damage to other body structures.

If numbness, persistent recurring discomfort, burning sensation, stiffness, throbbing, tingling, pain, clumsiness, weakened grip, whitening of the skin, or other symptoms occur at any time, when operating the machine or when not operating the machine, stop operating the machine, tell your employer and seek medical attention. Continued use of the machine after the occurrence of any such symptom may increase the risk of symptoms becoming more severe and/or permanent.

Operate and maintain the machine as recommended in these instructions, to prevent an unnecessary increase in vibration.

The following may help to reduce exposure to vibration for the operator:

- ▶ Let the tool do the job. Use a minimum hand grip consistent with proper control and safe operation.
- ▶ If the machine has vibration absorbing handles, keep them in a central position, avoid pressing the handles into the end stops.
- ▶ When the percussion mechanism is activated, the only body contact with the machine you should have are your hands on the handle or handles. Avoid any other contact, for example supporting any part of the body against the machine or leaning onto the machine trying to increase the feed force. It is also important not to keep the start and stop device engaged while extracting the tool from the broken work surface.
- ▶ Make sure that the inserted tool is well-maintained (including sharpness, if a cutting tool), not worn out, and of the proper size. Insertion tools that are not well-maintained, or that are worn out, or that are not of the proper size result in longer time to complete a task (and a longer period of exposure to vibration) and may result in or contribute to higher levels of vibration exposure.
- ▶ Immediately stop working if the machine suddenly starts to vibrate strongly. Before resuming the work, find and remove the cause of the increased vibrations.
- ▶ Never grab, hold or touch the inserted tool when using the machine.

- ▶ Participate in health surveillance or monitoring, medical exams and training programs offered by your employer and when required by law.
- ▶ When working in cold conditions wear warm clothing and keep hands warm and dry.

See the "Noise and vibration declaration statement" for the machine, including the declared vibration values. This information can be found at the end of these Safety and operating instructions.

- ◆ Comply with the recommended air-pressure when operating the machine. Either higher or lower air-pressure has the potential of resulting in higher levels of vibration.

▲ DANGER Electrical hazard

The machine is not electrically insulated. If the machine comes into contact with electricity, serious injuries or death may result.

- ▶ Never operate the machine near any electric wire or other source of electricity.
- ▶ Make sure that there are no concealed wires or other sources of electricity in the working area.

▲ WARNING Concealed object hazard

During operating, concealed wires and pipes constitute a danger that can result in serious injury.

- ▶ Check the composition of the material before operating.
- ▶ Watch out for concealed cables and pipes for example electricity, telephone, water, gas and sewage lines etc.
- ▶ If the inserted tool seems to have hit a concealed object, switch off the machine immediately.
- ▶ Make sure that there is no danger before continuing.

▲ WARNING Involuntary start

Involuntary start of the machine may cause injury.

- ▶ Keep your hands away from the start and stop device until you are ready to start the machine.
- ▶ Learn how the machine is switched off in the event of an emergency.
- ▶ Release the start and stop device immediately in all cases of power supply interruption.
- ▶ Whenever fitting or removing the insertion tool, switch off the air supply, bleed the machine by pressing the start and stop device and disconnect the machine from the power source.

▲ WARNING Noise hazard

High noise levels can cause permanent and disabling hearing loss and other problems such as tinnitus (ringing, buzzing, whistling, or humming in the ears). To reduce risks and prevent an unnecessary increase in noise levels:

- ▶ Risk assessment of these hazards and implementation of appropriate controls is essential.
- ▶ Operate and maintain the machine as recommended in these instructions.
- ▶ Select, maintain and replace the insertion tool as recommended in these instructions.
- ▶ If the machine has a silencer, check that it is in place and in good working condition.
- ▶ Always use hearing protection.
- ▶ Use damping material to prevent work pieces from 'ringing'.

Maintenance, precautions

▲ WARNING Machine modification

Any machine modification may result in bodily injuries to yourself or others.

- ▶ Never modify the machine. Modified machines are not covered by warranty or product liability.
- ▶ Always use original parts, insertion tools and accessories approved by Atlas Copco.
- ▶ Change damaged parts immediately.
- ▶ Replace worn components in good time.

▲ CAUTION Hot insertion tool

The tip of the insertion tool can become hot and sharp when used. Touching it can lead to burns and cuts.

- ▶ Never touch a hot or sharp insertion tool.
- ▶ Wait until the insertion tool has cooled down before carrying out maintenance work.

▲ WARNING Insertion tool hazards

Accidental engagement of the start and stop device during maintenance or installation can cause serious injuries, when the power source is connected.

- ▶ Never inspect, clean, install, or remove the insertion tool while the power source is connected.

Storage, precautions

- ◆ Keep the machine and tools in a safe place, out of the reach of children and locked up.

Overview

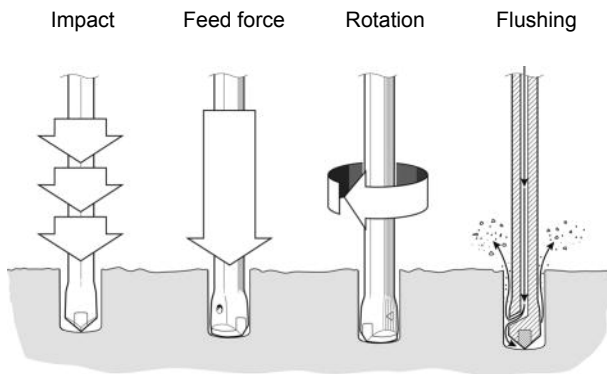
To reduce the risk of serious injury or death to yourself or others, read the Safety instructions section found on the previous pages of this manual before operating the machine.

Design and function

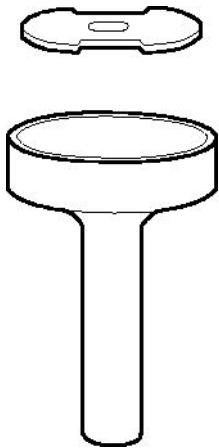
RH 571, RH 572 and RH 658 are pneumatic rock drills designed for vertical drilling, plug hole drilling and drilling in concrete for construction and mining applications. No other uses are permitted.

To choose correct insertion tools, contact your local Atlas Copco dealer.

Working principle of a rock drill

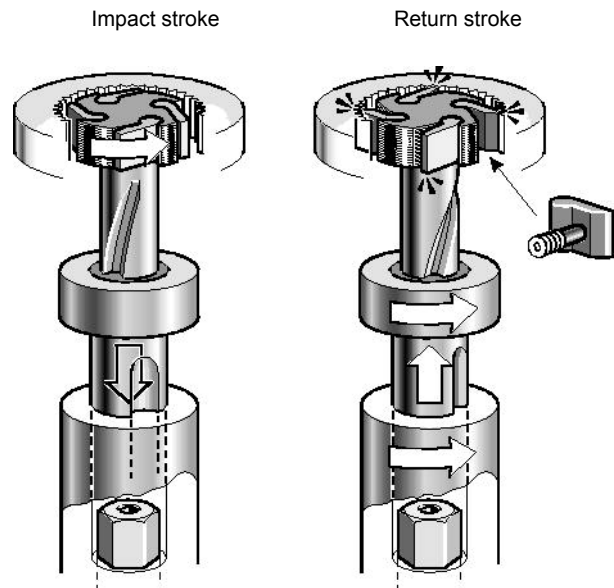


Control valve mechanism



The valve directs the air alternately from one side to the other of the piston so that it moves up and down. The piston transmits the energy through the drill steel to the bottom of the hole.

Rotation mechanism

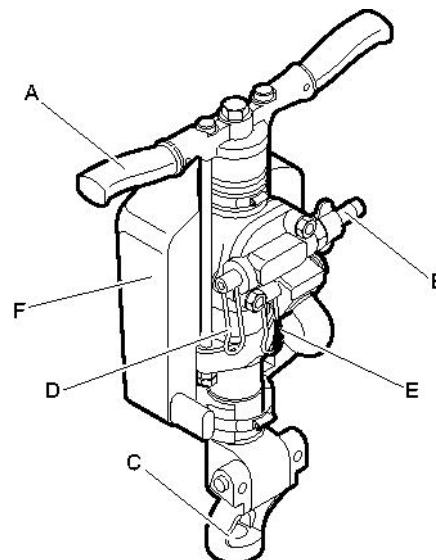


The drill steel is turned slightly with each blow by the rifle bar rotation. The rotation is anti-clockwise and is applied on the return stroke of the piston.

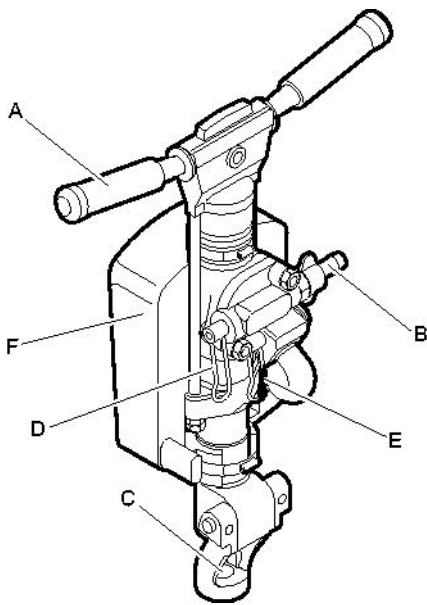
Flushing

Flushing is ducted through a hole in the piston. This means that flushing air is provided as soon as the compressed air is switched on.

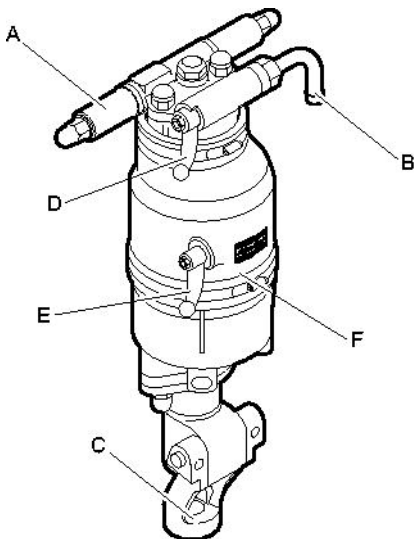
Main parts



RH 571-5L/LS



RH 572E



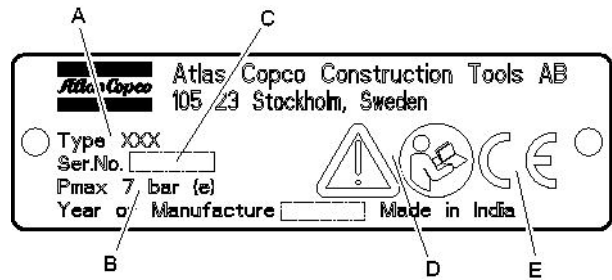
RH 658L/LS

- A. Handle
- B. Air inlet nipple
- C. Drill steel retainer
- D. Throttle lever
- E. Extra blower lever
- F. Silencer (optional)

Labels

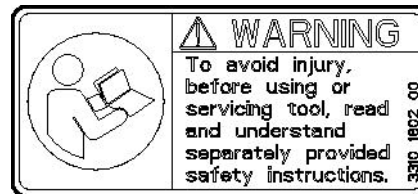
The machine is fitted with labels containing important information about personal safety and machine maintenance. The labels shall be in such condition that they are easy to read. New labels can be ordered from the spare parts list.

Data plate



- A. Machine type
- B. Maximum permitted compressed air pressure
- C. Serial number
- D. The warning symbol together with the book symbol means that the user must read the safety and operating instructions before the machine is used for the first time.
- E. The CE symbol means that the machine is EC-approved. See the EC declaration which is delivered with the machine for more information. If the CE symbol is missing, it means that the machine is not EC-approved.

Safety label



To avoid injury, before using or servicing tool, read and understand separately provided safety instructions.

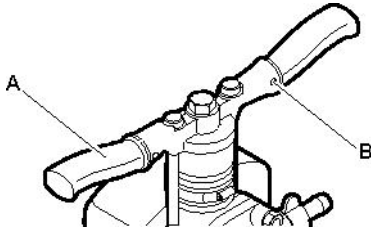
Installation

Unpacking the rock drill

Plastic guards

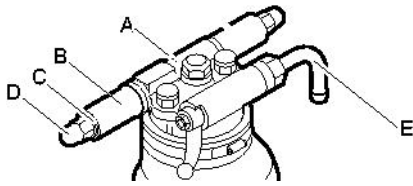
Before the rock drill is first used remove all the plastic guards in the hose nipples, venting holes and rotation chuck.

Assembly



RH 571-5L/LS

- 1) Press the bushings and handles (A) onto each side of the back head.
- 2) Secure the handles by tapping the spring pins (B) into the back head.



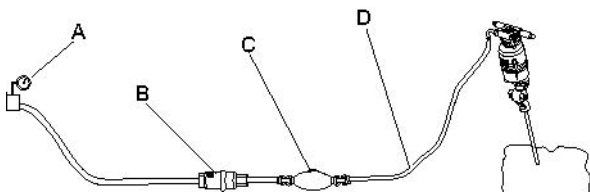
RH 658L/LS

- 1) Place the handle bolt (A) inside the back head.
- 2) Place the grips (B) on each side of the handle bolt.
- 3) Secure the grips with a washer (C) and a dome nut (D) on both sides.
- 4) Screw the hose nipple (E) into the air inlet, until it is tight.

Lubricate

After unpacking and installing the tool, pour a liberal amount of lubrication oil in the air connection.

Hoses and connections



- A. Compressed air source
- B. Water separator (optional)
- C. Lubricator (optional)
- D. Max. 3 meter compressed air hose between the lubricator and the machine.

- ◆ Check that you are using the correct recommended operating pressure, 6 bar (e).
- ◆ The maximum permissible air pressure, 7 bar (e), must not be exceeded.
- ◆ Blow any impurities out of the compressed air hose before connecting it to the machine.
- ◆ Select the correct dimension and length for the compressed air hose. For hose lengths up to 30 meters, a hose with a minimum internal diameter of 19 mm (3/4") should be used. If the hose length is between 30 and 100 meters, a hose with a minimum internal diameter of 25 mm (1") should be used.

Methods to prevent freezing

Ice formation in the silencer can occur when the ambient air temperature is 0–10°C (32–50 °F) and the relative humidity is high.

The machine is designed to avoid the formation of ice in the silencer. Despite this, under extreme conditions ice can form in the silencer.

Take the following actions to further counteract the risk of ice formation:

- ◆ Use Atlas Copco Rock Drill AIR-OIL as a lubricant.
- ◆ Use VAM 5A water separator.

If the rock drill freeze, never heat it to melt the ice. Always let the ice thaw at room temperature.

Never pour methylated spirits or similar substances into the rock drill, as they will interfere with the lubrication and lead to increased wear.

Connecting a water separator

The length of the air hose between the compressor and the water separator must be such that the water vapor is cooled and condenses in the hose before reaching the water separator.

If the ambient temperature is below 0 °C (32 °F) the hose must be short enough to prevent the water from freezing before reaching the water separator.

Lubrication

The rock drill is lubricated with oil mixed with compressed air, which is taken to the parts that need continuous lubrication. Oil is metered into the compressed air using an Atlas Copco CLG 30 lubricator connected to the air line.

Use Atlas Copco Rock Drill AIR-OIL which is specially developed for BBC, BBD and RH pneumatic Rock drills. Rock Drill AIR-OIL is readily biodegradable according to OECD 301 and has high film strength that can withstand heavy loads. If Rock Drill AIR-OIL is not available use a mineral-based air tool oil with the properties recommended in the table below.

Temperature range (°C)	Viscosity grade (ISO 3448)
-30 to 0	ISO VG 32-68
-10 to +20	ISO VG 68-100
+10 to +50	ISO VG 100-150

Pressure adjustment

Air pressure

Ensure that the compressor can deliver the required air pressure of 4–6 bar to the tool.

1. High pressure causes rough operation and excessive wear.
2. Low pressure results in a slow drilling speed.

Calibrate the correct air pressure

Use the Atlas Copco (9090 0550 80) pressure gauge to check the air pressure when the rock drill is running. The pressure should be measured close to the inlet nipple. Maximum allowed working pressure is 6 bar.



The pressure gauge is equipped with a needle which is pressed into the hose to measure the pressure inside.

Drill steel

▲ WARNING Ejected insertion tool

If the tool retainer on the machine is not in a locked position, the inserted tool can be ejected with force, which can cause personal injury.

- ▶ Before changing the insertion tool, stop the machine, switch off the compressed air supply and bleed the machine by activating the start and stop device.

Before fitting the drill steel

Check that the tool shank is of the correct size and length for the chuck used. The shank must be clean and the tool must be in good condition. Shanks which are chipped, rounded, out of square or too hard on the striking end will operate inefficiently and cause premature piston failure.

Inspect the drill steel:

A dull drill steel will slow down the drilling speed and overstrain the drill mechanism. When changing drill steel make sure that the new one is the correct size to follow your previous bore.

Before drilling, check that the flushing hole in the drill steel is not blocked.

▲ CAUTION Hot insertion tool

The tip of the insertion tool can become hot and sharp when used. Touching it can lead to burns and cuts.

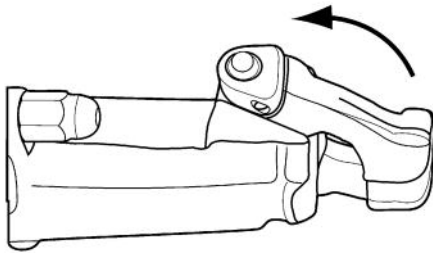
- ▶ Never touch a hot or sharp insertion tool.
- ▶ Wait until the insertion tool has cooled down before carrying out maintenance work.

NOTICE Never cool a hot insertion tool in water, it can result in brittleness and early failure.

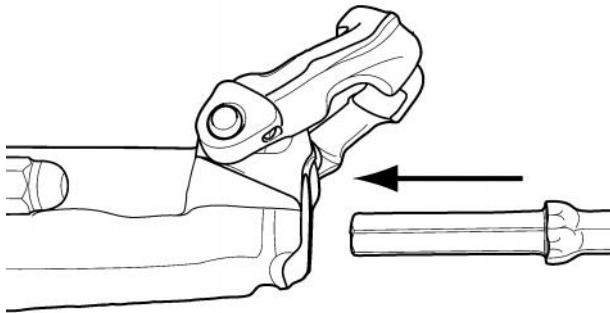
Fitting the drill steel

Whenever fitting the drill steel the following instructions must be observed:

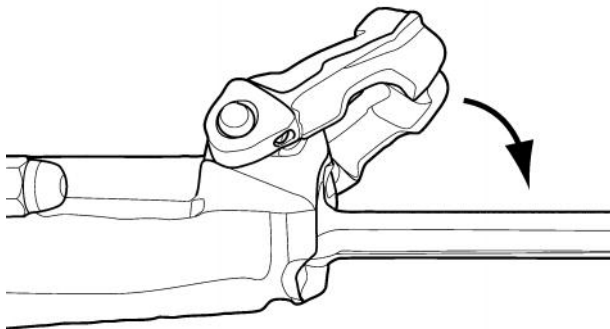
1. Push the retainer outwards in the direction of the arrow, until the front portion of the retainer is able to accommodate the drill steel collar.



2. Insert the drill steel in the chuck.



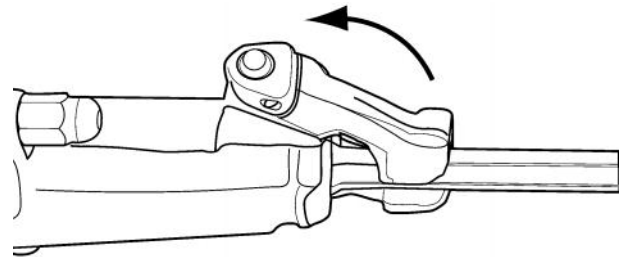
3. When the drill bottoms, push back the retainer to lock it.



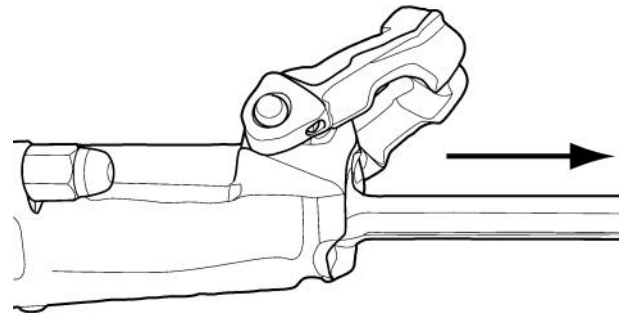
Removing the drill steel

Whenever removing the drill steel the following instructions must be observed:

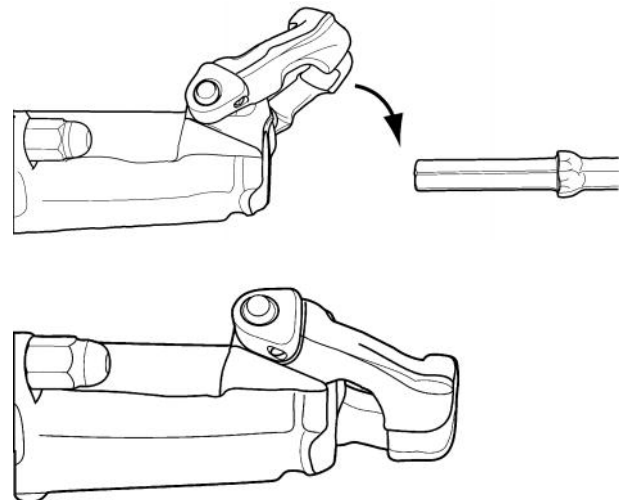
1. Push the retainer outwards in the direction of the arrow until the drill steel collar disengages from the front of the retainer.



2. Pull the drill steel out.



3. Push back the retainer.



Operation

▲ WARNING Involuntary start

Involuntary start of the machine may cause injury.

- ▶ Keep your hands away from the start and stop device until you are ready to start the machine.
- ▶ Learn how the machine is switched off in the event of an emergency.
- ▶ Stop the machine immediately in all cases of power supply interruption.

Preparations before starting

Check the drilling equipment

- ◆ Check that all of the drilling equipment is in good condition.
- ◆ Check that the impact surface of the drill steel shank is flat, with no signs of wear.
- ◆ Make sure that the air inlet and exhaust ports are free from obstructions.
- ◆ Check that the flushing holes in the drill steel and drill bit are not blocked, and that the flushing air and water flows through without obstruction.
- ◆ Make sure that the air filter (located in the air nipple) is clean and not torn or distorted.
- ◆ Ensure that the fittings are tight and leak-proof.

▲ DANGER Whipping air hose

A compressed air hose that comes loose can lash around and cause personal injury or death

- ▶ Check that the compressed air hose and the connections are not damaged.
- ▶ Check that all compressed air connections are properly attached.

Blow out the air hose

- ◆ Every day before using the drill, blow out the air hose to clear it of accumulated dirt and moisture.

Fill the lubricator with oil

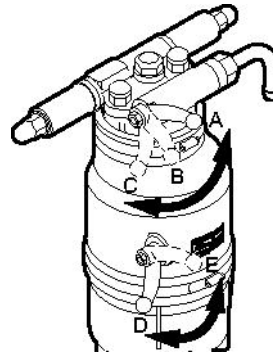
- ◆ Check that the chuck and drill steel shank are always covered with a film of oil.

RH 571-5L/LS

RH 572E

The rock drill is equipped with a throttle lever for regulating compressed air to the percussion mechanism and a blower lever for extra blow-cleaning.

- A. Throttle valve closed (stop position)
- B. Throttle lever fully open
- C. Blower valve closed (stop position)
- D. Blower valve fully open



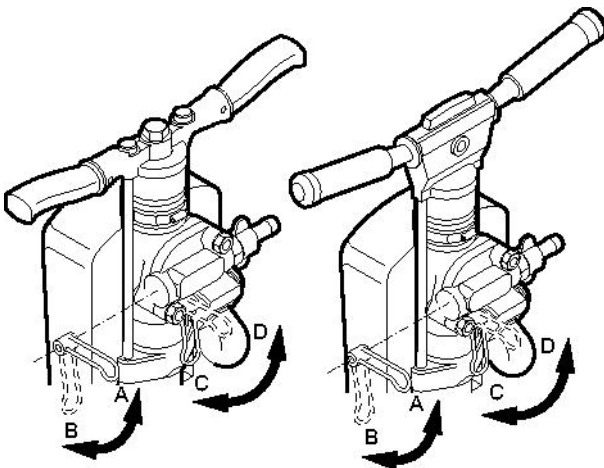
RH 658L/LS

The rock drill is equipped with a throttle lever for regulating compressed air to the percussion mechanism and a blower lever for extra blow-cleaning.

- A. Throttle valve closed (stop position)
- B. Throttle lever half open
- C. Throttle lever fully open
- D. Blower valve closed (stop position)
- E. Blower valve fully open

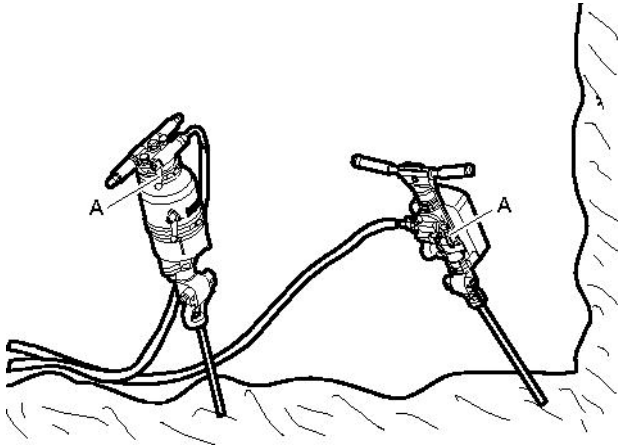
Controls

Throttle lever



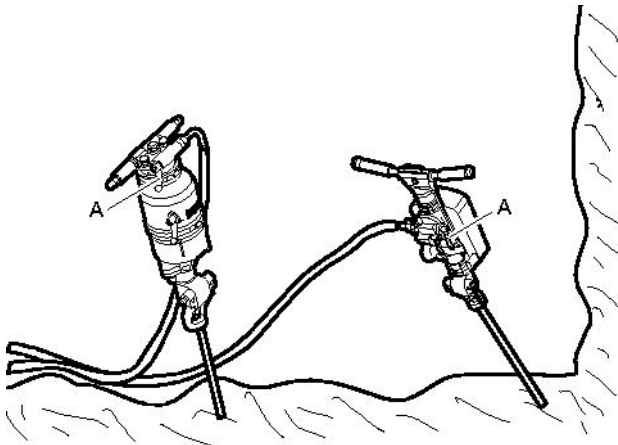
Start and stop

Starting the rock drill



1. Open the main valve for compressed air.
2. Align the rock drill so that the drill steel touches the required collaring point.
3. Move the throttle lever (A) forward a little, which will start the percussion and rotation.
4. Collar the hole with reduced feed force.
5. Move the throttle lever (A) fully forward once the drill steel has gained a secure footing in the rock.

Stopping the rock drill



1. Pull the throttle lever (A) backwards to the closed position, this will stop the percussion and rotation.

Operating

Drilling

- ◆ Use protective shoes, gloves, helmet, ear protectors and impact resistant eye protection with side protection.
- ◆ Stand firmly and always hold the machine with both hands.
- ◆ Hold the inserted tool firmly against the work surface before starting the machine.

When taking a break

- ◆ During all breaks you must place the machine in such a way that there is no risk for it to be unintentionally started. Make sure to place the machine on the ground, so that it can not fall.
- ◆ In the event of a longer break or when leaving the workplace: Switch off the power supply and then bleed the machine by activating the start and stop device.

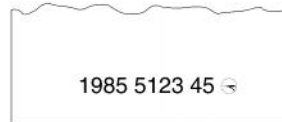
Maintenance

Regular maintenance is a basic requirement for the continued safe and efficient use of the machine. Follow the maintenance instructions carefully.

- ◆ Before starting maintenance on the machine, clean it in order to avoid exposure to hazard substances. See "Dust and fume hazards"
- ◆ Use only authorised parts. Any damage or malfunction caused by the use of unauthorised parts is not covered by warranty or product liability.
- ◆ When cleaning mechanical parts with solvent, comply with appropriate health and safety regulations and ensure there is satisfactory ventilation.
- ◆ For major service to the machine, contact your nearest authorised workshop.
- ◆ After each service, check that the machine's vibration level is normal. If not, contact your nearest authorised workshop.

Differences between original parts and pattern parts

When buying a part, the first thing to do is to verify that the part is an Atlas Copco part. Most parts can be identified.



Rock drill parts are normally marked with a part number and the Atlas Copco identity mark which is a circle with a rock drill. In a few cases the part is marked either with the circle only or the part number only.

Rubber and plastic parts are not normally marked. Competitors that copy our parts often mark major, expensive parts. Some parts have only the part number, but some of them also have an identity mark in the form of the initials of the manufacturer's name. Part numbers on the pattern parts are mostly stamped by hand which results in irregularities. The part numbers stamped by Atlas Copco are regular and the individual figures are the same size. In addition the depth of the figures and the spacing between the figures in each group are the same.

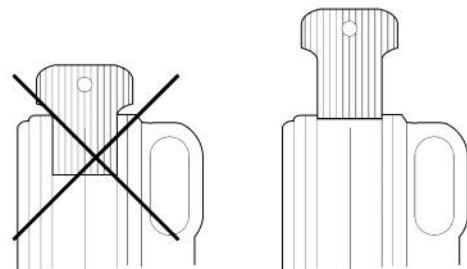
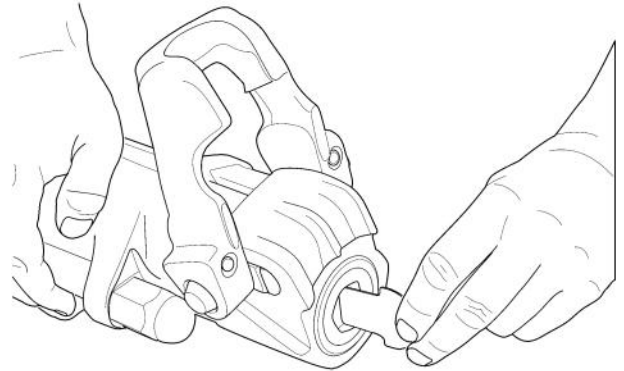
Every day

Before undertaking any maintenance or changing the insertion tool on pneumatic machines, always switch off the air supply and bleed the machine by depressing the start and stop device then disconnect the air hose from the machine.

- ◆ Clean and inspect the machine and its functions each day before the work commences.
- ◆ Conduct a general inspection for leaks and damage.
- ◆ Check that the air inlet nipple is tightened and that the claw coupling is free from damage.
- ◆ Check the function of the throttle handle. Make sure that it moves freely up and down.
- ◆ Check the function of the retainer. Make sure that it locks the drill steel.
- ◆ Change damaged parts immediately.
- ◆ Replace worn components in good time.
- ◆ Check the through bolts of the machine. Make sure that they are tightened.
- ◆ If the machine is equipped with a silencer, check for damage.

Checking for wear

1. Check the wear in the chuck bushing using the Atlas Copco (**3091 0038 00**) gauge (22 mm).
If the wear limit has been exceeded, the drill steel shank will wear more quickly, or become deformed. This will lead to stoppages and increased drill-steel consumption.

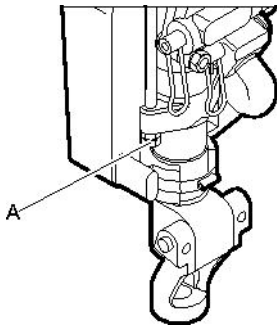


2. Check the hoses, couplings and controls for leakage and damage.
3. Check that the rock drill is receiving enough lubrication. Fill the lubricator if necessary.
4. Drain the water separator.

Periodic maintenance

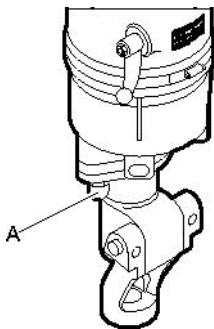
After each operating period of approximately 100 working hours or three times a year the machine must be dismantled and all parts be cleaned and checked. This work must be performed by authorized staff, trained for this task.

Tightening torque



RH 571-5L/LS, RH 572E

A. Side bolt nut, 90 Nm (66 ft.lbf)



RH 658L/LS

A. Side bolt nut, 125 Nm (92 ft.lbf)

Damage patterns

Worn or broken parts must always be studied carefully before they are replaced. They can give important information about the condition of the drill and about the way it is used and maintained.

Problem	Cause
Steel parts are a bluish colour	The parts have been subjected to excessive heat. This can be caused by insufficient lubrication or idling
Steel parts have small almost microscopic fissures on the wear surfaces	See above
Irregular cavities on the surface of bronze parts	See above
Cutting marks	Secondary damage Dirt inside the drill
	Interior misalignment due to uneven tension of the side bolts

Storage

- Always oil the rock drill well, before you put it into storage.
- Always store the machine in a clean and dry place.
- Make sure that no foreign matter enters the machine.
- Protect the chuck using the plastic plug provided with the machine. Alternatively, use a wooden plug or a clean piece of cotton waste.
- In the case of long-term storage, pour a quantity of oil directly into the rock-drill's air intake and then turn on the air briefly. This will protect the machine from corrosion.

Disposal

A used machine must be treated and disposed of in such a way that the greatest possible portion of the material can be recycled and any negative influence on the environment is kept as low as possible, and in respect to local restrictions.

Technical data

Machine data

Model	Part number	Piston bore mm (in.)	Stroke length mm (in.)	Overall length mm (in.)	Weight kg (lb)	Shank dimension mm (in.)
RH 571-5L	8311 0301 29	55 (2.16)	60 (2.36)	510 20	17.8 (39.2)	22 X 108 (7/8 x 4 1/4)
RH 571-5LS	8311 0301 37	55 (2.16)	60 (2.36)	510 20	18.9 (41.7)	22 X 108 (7/8 x 4 1/4)
RH 572E	8311 0301 78	55 (2.16)	60 (2.36)	583 23	22.8 (50.2)	22 X 108 (7/8 x 4 1/4)
RH 658L	8311 0302 86	65 (2.56)	59 (2.32)	565 22 1/4	24.0 (52.9)	22 X 108 (7/8 x 4 1/4)
RH 658LS	8311 0302 87	65 (2.56)	59 (2.32)	565 22 1/4	25.0 (55.1)	22 X 108 (7/8 x 4 1/4)

Model	Air consumption (6 bar) l/s (foot ³ /min)	Impact rate (6 bar) Hz	Hole diameter mm (in.)
RH 571-5L	39 (83)	35	28-34 (1.10-1.34)
RH 571-5LS	39 (83)	33	28-34 (1.10-1.34)
RH 572E	37 (78)	34	28-34 (1.10-1.34)
RH 658L	58 (123)	34	29-40 (1.14-1.57)
RH 658LS	58 (123)	34	29-40 (1.14-1.57)

Noise and vibration declaration statement

Guaranteed sound power level **L_w** according to ISO 3744 in accordance with directive 2000/14/EC.

Sound pressure level **L_p** according to ISO 11203.

Vibration value **A** and uncertainty **B** determined according to ISO 20643. See table "Noise and vibration data" for the values of A, B, etc.

These declared values were obtained by laboratory type testing in accordance with the stated directive or standards and are suitable for comparison with the declared values of other tools tested in accordance with the same directive or standards. These declared values are not suitable for use in risk assessments and values measured in individual work places may be higher. The actual exposure values and risk of harm experienced by an individual user are unique and depend upon the way the user works, in what material the machine is used, as well as upon the exposure time and the physical condition of the user, and the condition of the machine.

We, Atlas Copco Construction Tools AB, cannot be held liable for the consequences of using the declared values, instead of values reflecting the actual exposure, in an individual risk assessment in a work place situation over which we have no control.

This tool may cause hand-arm vibration syndrome if its use is not adequately managed. An EU guide to managing hand-arm vibration can be found at <http://www.humanvibration.com/EU/VIBGUIDE.htm>

We recommend a programme of health surveillance to detect early symptoms which may relate to vibration exposure, so that management procedures can be modified to help prevent future impairment.

Noise and vibration data

Model	Noise		Vibration	
	Declared values		Declared values	
	Sound pressure	Sound power	Three axes values	
	ISO 11203	2000/14/EC	ISO 20643	
	Lp r=1m dB(A) rel 20µPa	Lw guaranteed dB(A) rel 1pW	A m/s ² value	B m/s ² spreads
RH 571-5L	106	119	23.2	2.8
RH 571-5LS	99	112	23.2	2.8
RH 572E	100	113	9.7	1.9
RH 658L	106	116	21.2	2.6
RH 658LS	99	112	21.2	2.6

Accessories

Description	Remark	Quantity	Part number
CLG 30, European type	For both mineral and synthetic oil	1	8202 5102 39
BLG 30, European type	For mineral oil	1	8202 5102 05
VAM 01, European type	Airflow <50 l/s (106 ft ³ /min)	1	8092 0110 58
VAM 5A, European type	Airflow <120 l/s (254 ft ³ /min)	1	8092 0110 82
Rubber hose, pre-mounted	20 mm (¾")	1	9030 2047 00
X-LITE flat hose, universal	20 mm (¾")	1	9030 2115 00
Rock Drill AIR-OIL	4 l	1	8099 0201 04
Rock Drill AIR-OIL	10 l	1	8099 0201 10

EC Declaration of Conformity

EC Declaration of Conformity (EC Directive 2006/42/EC)

We, Atlas Copco Construction Tools AB, hereby declare that the machines listed below conform to the provisions of EC Directive 2006/42/EC (Machinery Directive), and the harmonised standards mentioned below.

Rock drills	Part number	Pmax (bar)
RH 571-5L	8311 0301 29	7
RH 571-5LS	8311 0301 37	7
RH 572E	8311 0301 78	7
RH 658L	8311 0302 86	7
RH 658LS	8311 0302 87	7

Technical Documentation authorised representative:

Erik Sigfridsson
Atlas Copco Construction Tools AB
Dragonvägen 2
Kalmar

General Manager:

Erik Sigfridsson

Manufacturer:

Atlas Copco Construction Tools AB
105 23 Stockholm
Sweden

Place and date:

Kalmar, 2010-01-01

FRANÇAIS

Sommaire

Introduction.....	29
À propos des prescriptions de sécurité et des instructions pour l'opérateur.....	29
Consignes de sécurité.....	30
Indications de sécurité.....	30
Précautions et qualifications du personnel.....	30
Équipement de protection du personnel.....	30
Drogues, alcool ou médicaments.....	30
Installation, précautions.....	30
Fonctionnement, précautions.....	31
Maintenance, précautions.....	36
Stockage, précautions.....	36
Vue d'ensemble.....	37
Conception et fonctionnement.....	37
Principe de fonctionnement d'un marteau perforateur.....	37
Mécanisme de la vanne de commande.....	37
Mécanisme de rotation.....	37
Rinçage.....	37
Principales pièces.....	37
Étiquettes.....	38
Plaque signalétique.....	38
Étiquette de sécurité.....	38
Installation.....	38
Réception et déballage du marteau perforateur.....	38
Protections en plastique.....	38
Assemblage.....	39
Lubrification.....	39
Flexibles et connexions.....	39
Mesures de prévention du gel.....	39
Branchement d'un séparateur d'eau.....	39
Graissage.....	40
Réglage de pression.....	40
Pression d'air.....	40
Étalonner la pression d'air correcte.....	40
Fleuret.....	40
Avant de fixer le fleuret.....	40
Fixation du fleuret.....	40
Retrait du fleuret.....	41
Utilisation.....	41
Opérations à effectuer avant la mise en service.....	42
Contrôler l'équipement de forage.....	42
Purger le flexible à air.....	42
Remplissez le lubrificateur d'huile.....	42
Commandes.....	42
Levier de commande.....	42
Marche/arrêt.....	43
Démarrage du marteau perforateur.....	43
Arrêt du marteau perforateur.....	43
Utilisation.....	43
Forage.....	43
Lors des pauses.....	43

Maintenance	43
Différences entre les pièces d'origine et les pièces copiées	44
Chaque jour	44
Contrôle de l'usure	44
Maintenance périodique	45
Couple de serrage	45
Types de dégâts	45
Stockage	45
Destruction d'une machine usagée	45
Caractéristiques techniques	46
Caractéristiques de la machine	46
Énoncé déclaratif sur les vibrations et le bruit	46
Données relatives au bruit et aux vibrations	47
Accessoires	47
Déclaration CE de conformité	48
Déclaration CE de conformité (Directive 2006/42/CE)	48

Introduction

Nous vous remercions d'avoir choisi un produit Atlas Copco. Depuis 1873, nous nous efforçons de trouver des solutions pertinentes et adaptées aux besoins de nos clients. Au fil des ans, nous avons développé des produits innovants et ergonomiques qui contribuent à l'amélioration et à la rationalisation du travail quotidien de nos clients.

Atlas Copco dispose d'un solide réseau de distribution et de service après-vente, constitué de centres de clientèle et de distributeurs, partout dans le monde. Nos experts sont des professionnels formés, bénéficiant d'un savoir-faire global en termes de produits et d'applications. Aux quatre coins du monde, nous sommes en mesure d'offrir le soutien et l'expérience requis pour garantir à nos clients une efficacité optimale et continue de leur activité.

Pour plus d'informations, veuillez consulter le site Web suivant :
www.atlascopco.com

Atlas Copco Construction Tools AB
105 23 Stockholm
Sweden

À propos des prescriptions de sécurité et des instructions pour l'opérateur

Le but des instructions est de vous apprendre à utiliser le marteau perforateur d'une manière efficace et en toute sécurité. Les instructions vous donnent également des conseils et vous indiquent comment effectuer la maintenance de routine du marteau perforateur.

Vous devez lire ces instructions attentivement et les comprendre avant d'utiliser le marteau perforateur pour la première fois.

Consignes de sécurité

Il convient de lire et d'assimiler les Prescriptions de sécurité et des instructions pour l'opérateur avant toute installation, utilisation, réparation, entretien ou remplacement d'accessoire sur la machine, afin de minimiser le risque de blessures graves ou de dommages pouvant entraîner la mort.

Affichez les Prescriptions de sécurité et instructions pour l'opérateur sur les différents sites de travail ; faites en des copies pour les employés et assurez-vous que chaque personne concernée a bien lu les Prescriptions de sécurité et instructions pour l'opérateur, avant d'utiliser ou d'intervenir sur la machine.

En outre, l'opérateur ou l'employeur doit évaluer les risques spécifiques pouvant survenir à la suite de chaque utilisation de la machine.

Indications de sécurité

Les indications de sécurité Danger, Attention et Prudence ont les sens suivants :

DANGER	Indique une situation dangereuse qui, si elle n'est pas évitée, terminera par provoquer la mort ou des blessures graves.
ATTENTION	Indique une situation dangereuse qui, si elle n'est pas évitée, est de susceptible de provoquer la mort ou des blessures graves.
PRUDENCE	Indique une situation dangereuse qui, si elle n'est pas évitée, est de susceptible de provoquer des blessures mineures à modérées.

Précautions et qualifications du personnel

Seules des personnes qualifiées ou formées peuvent utiliser ou procéder à l'entretien de la machine. Elles doivent être physiquement aptes à manipuler le volume, le poids et la puissance de l'outil. Utilisez toujours votre jugement et votre bon sens.

Équipement de protection du personnel

Utilisez toujours un équipement de protection individuelle homologué. Les opérateurs et toutes autres personnes séjournant sur la zone de travail doivent porter un équipement de protection individuelle, incluant au minimum :

- Casque de protection
- Protections auditives
- Protecteurs des yeux résistants aux chocs avec protection latérale
- Appareil de protection respiratoire, le cas échéant
- Gants de protection
- Bottes de protection adaptées
- Salopette de travail appropriée ou vêtement similaire (serré) qui recouvre les bras et les jambes.

Drogues, alcool ou médicaments

▲ AVERTISSEMENT Drogues, alcool ou médicaments

Les drogues, l'alcool ou les médicaments risquent d'avoir un effet négatif sur votre jugement et votre capacité de concentration. De mauvaises réactions et des évaluations incorrectes peuvent entraîner des accidents graves, voire la mort.

- ▶ N'utilisez jamais la machine lorsque vous êtes fatigué(e) ou sous l'influence de drogues, de l'alcool ou de médicaments.
- ▶ L'utilisation de la machine par une personne sous l'influence de drogues, de l'alcool ou de médicaments est strictement interdite.

Installation, précautions

▲ DANGER Coup de fouet d'un flexible pneumatique

Un flexible d'air comprimé qui se détache risque de fouetter dans tous les sens et de provoquer des dommages corporels ou la mort. Pour réduire ce risque :

- ▶ Vérifiez que le flexible d'air comprimé et les raccords ne sont pas endommagés. Les remplacer si nécessaire.
- ▶ Vérifiez que les raccords d'air comprimé sont correctement fixés.
- ▶ Ne jamais porter une machine pneumatique par le flexible d'air.

- ▶ Ne jamais essayer de débrancher un flexible d'air comprimé sous pression. D'abord, coupez l'alimentation en air comprimé au niveau du compresseur, puis purgez la machine en activant le dispositif de marche/arrêt.
- ▶ Ne jamais pointer un flexible d'air comprimé sur quelqu'un ou sur soi. Afin d'éviter tout risque de blessure, ne jamais utiliser l'air comprimé pour nettoyer la poussière, les salissures, etc., sur vos vêtements.
- ▶ N'utilisez pas de raccords rapides à l'entrée de l'outil. Utilisez des raccords filetés en acier trempé (ou un matériau présentant une résistance aux chocs comparable).
- ▶ Chaque fois que des raccords universels (raccords à griffes) sont utilisés, nous recommandons de monter des goupilles de verrouillage et d'utiliser des câbles de sécurité pour tuyaux flexibles, afin d'empêcher tout relâchement d'un accouplement flexible - outil et tuyau - tuyau.

▲ AVERTISSEMENT Outil d'insertion éjecté

Si la sécurité de l'outil n'est pas verrouillée sur la machine, l'outil d'insertion risque d'être éjecté avec force, et de provoquer des dommages corporels.

- ▶ Ne démarrez jamais la machine au moment du changement de l'outil d'insertion.
- ▶ Avant de changer l'outil d'insertion ou un accessoire, arrêtez la machine, coupez l'alimentation électrique et purgez la machine en activant le dispositif de marche/arrêt.
- ▶ Ne jamais pointer l'outil inséré vers soi-même ni vers autrui.
- ▶ Assurez-vous que l'outil d'insertion est entièrement inséré et que la sécurité de l'outil est en position verrouillée avant tout démarrage de la machine.
- ▶ Vérifiez la fonction de verrouillage en tirant énergiquement l'outil inséré vers l'extérieur.

▲ AVERTISSEMENT Déplacement / glissement d'outil d'insertion

Une dimension incorrecte de l'emmanchement de l'outil inséré peut induire la perte ou le glissement de ce dernier pendant le fonctionnement. Risque de blessure grave ou d'écrasement des mains et des doigts.

- ▶ Vérifiez que l'outil d'insertion utilisé possède la bonne taille d'emmanchement et les dimensions pour lesquelles la machine est prévue.
- ▶ Ne jamais utiliser un outil d'insertion sans collet.

Fonctionnement, précautions

▲ DANGER Danger d'explosion

Si un outil d'insertion chaud entre en contact avec un explosif, cela pourrait provoquer une explosion. Lors de travaux sur certains matériaux et lors d'utilisation de certains matériaux dans les pièces de la machine, des étincelles susceptibles d'enflammer des gaz peuvent provoquer des explosions. Les explosions peuvent provoquer des dommages corporels voire la mort.

- ▶ Ne jamais utiliser la machine dans un environnement explosif quelconque.
- ▶ N'utilisez jamais cette machine près de poussières, d'émanations ou de matériaux inflammables.
- ▶ Assurez-vous qu'il n'y a aucune source de gaz non identifiée ni explosifs dans les environs.
- ▶ Ne jamais forer dans un ancien trou.

▲ AVERTISSEMENT Mouvements inopinés

L'outil inséré est soumis à des efforts importants lors de l'utilisation de la machine. L'outil inséré peut se rompre à cause de la fatigue après un certain temps d'utilisation. En cas de rupture ou de blocage de l'outil inséré, des mouvements soudains et imprévus peuvent se produire et entraîner des blessures. Les pertes d'équilibre ou les glissades peuvent également provoquer des blessures.

- ▶ Assurez-vous de toujours adopter une position stable, les pieds dans le prolongement de vos épaules et votre poids bien réparti sur les deux jambes.
- ▶ Vérifiez toujours l'équipement avant de l'utiliser. Évitez d'utiliser l'équipement s'il vous semble endommagé.
- ▶ Assurez-vous que les poignées sont toujours bien propres, sans graisse ni huile.
- ▶ Gardez vos pieds éloignés de l'outil inséré.
- ▶ Restez bien droit et tenez toujours la machine à deux mains.
- ▶ Ne jamais forer dans un ancien trou.
- ▶ Ne mettez pas la machine en marche lorsqu'elle est posée sur le sol.
- ▶ Ne 'chevauchez' jamais la machine, une jambe passée sur la poignée.
- ▶ Ne maltraitez jamais l'équipement.
- ▶ Examinez régulièrement l'usure de l'outil d'insertion et contrôlez la présence éventuelle de signes de détérioration ou de fissures visibles.

- ▶ Soyez vigilant et concentrez-vous sur ce que vous faites.

▲ AVERTISSEMENT Danger de calage

Si l'outil d'insertion se bloque durant le fonctionnement, la machine se mettra à tourner sur elle-même si vous ne la tenez pas bien. Cette rotation inattendue de la machine entière peut provoquer des blessures graves, voire la mort.

- ▶ Restez bien droit et tenez toujours la machine avec les deux mains.
- ▶ Assurez-vous que les poignées sont toujours bien propres, sans graisse ni huile.
- ▶ Ne jamais forer dans un ancien trou.

▲ AVERTISSEMENT Danger de piégeage

Les vêtements flottants, cheveux, gants, foulards ou écharpes risquent de se prendre sur un outil à insertion ou un accessoire en rotation. Ce type d'incident peut provoquer un étouffement, un scalp, des déchirures voire la mort. Pour réduire ce risque :

- ▶ Évitez à tout prix d'agripper ou de toucher un fleuret en rotation.
- ▶ Évitez de porter des vêtements amples, des gants, des foulards ou écharpes susceptibles de se prendre dans la pièce en rotation.
- ▶ Couvrez les cheveux à l'aide d'un filet.

▲ AVERTISSEMENT Dangers liés aux poussières et aux fumées

Les poussières et/ou de fumées générées ou dispersées lors de l'utilisation de la machine peuvent causer des maladies respiratoires graves et permanentes, ou autre lésion corporelle (par exemple, la silicose ou autre maladie pulmonaire irréversible qui peut être mortelle, cancer, malformations congénitales et/ou inflammation de la peau).

Certaines poussières et fumées créées lors de foration, casse, martelage, sciage, meulage et autres activités de construction, contiennent des substances connues dans l'État de Californie et par d'autres autorités pour provoquer des maladies respiratoires, le cancer, des malformations congénitales ou autres problèmes de reproduction. Quelques exemples de ces substances sont :

- Silice cristalline, ciment et autres produits de maçonnerie.
- Arsenic et chrome provenant de caoutchouc traité chimiquement.
- Plomb provenant de peintures à base de plomb.

Les poussières et fumées dans l'air peuvent être invisibles à l'œil nu. Par conséquent, ne comptez pas sur la vue oculaire pour déterminer s'il y a des poussières ou des fumées dans l'air.

Pour réduire les risques d'exposition aux poussières et fumées, effectuez tout ce qui suit :

- ▶ Effectuez une évaluation des risques spécifiques au site. L'évaluation des risques devra inclure les poussières et les vapeurs créées par l'utilisation de la machine et les poussières susceptibles d'incommoder le voisinage.
- ▶ Utilisez la sécurité intégrée appropriée pour minimiser la quantité de poussières et de fumées dans l'air et leur accumulation sur les équipements, les surfaces, les vêtements et les parties du corps. Exemples de mesures applicables : systèmes de ventilation aspirante et de captage des poussières, pulvérisation d'eau et forage humide. Contrôlez si possible les poussières et les fumées à la source. Assurez-vous que les commandes sont correctement installées, entretenues et utilisées.
- ▶ Portez, entretenez et utilisez de manière correcte la protection respiratoire comme indiqué par votre employeur, en respectant les normes de sécurité et de santé au travail. La protection respiratoire doit être efficace pour le type de substance en cause (et le cas échéant, approuvée par l'autorité gouvernementale pertinente).
- ▶ Travailler dans une zone bien ventilée.

- ▶ Si la machine dispose d'un système d'échappement, dirigez ce dernier de manière à réduire les mouvements de poussière dans un environnement chargé en poussières.
- ▶ Exploiter et entretenir la machine comme cela est recommandé dans les Prescriptions de sécurité et instructions pour l'opérateur.
- ▶ Sélectionner, entretenir et remplacer les consommables / les outils d'insertion / et autres accessoires comme cela est recommandé dans les Prescriptions de sécurité et instructions pour l'opérateur. Le choix incorrect ou le défaut d'entretien de consommables / outils d'insertion / et autres accessoires peut provoquer une augmentation inutile des poussières ou fumées.
- ▶ Sur le lieu de travail, portez des vêtements de protection lavables ou jetables. Avant de quitter le lieu de travail, douchez-vous et changez de vêtements, pour réduire votre exposition aux poussières et fumées et celle des autres, des voitures, des maisons et des autres zones.
- ▶ Évitez de manger, boire ou fumer hors dans les zones exposées aux poussières ou aux fumées.
- ▶ Lavez-vous les mains et le visage dès que possible avant de quitter la zone exposée, et toujours avant de manger, boire ou fumer, ou d'entrer en contact avec d'autres personnes.
- ▶ Respectez toutes les lois et règlements applicables, y compris les normes de sécurité et de santé au travail.
- ▶ Participez à la surveillance de l'air, aux programmes d'examen médical, et aux programmes de formation à la santé et à la sécurité proposés par votre employeur ou les organisations professionnelles, et conformément aux normes et recommandations de sécurité et de santé au travail. Consultez un médecin spécialiste en médecine du travail.
- ▶ Coopérez avec votre employeur et l'organisation professionnelle pour réduire l'exposition aux poussières et fumées sur le chantier, ainsi que les risques. Des programmes de santé et de sécurité efficaces, des politiques et des procédures visant à protéger les salariés et autres personnes contre l'exposition à des poussières et des fumées nocives devront être établis et mis en œuvre sur les conseils d'experts en santé et sécurité. Consultez ces experts.

▲ AVERTISSEMENT Projectiles

Une pièce, des accessoires, ou même l'outil qui se détache peuvent se transformer en projectiles à grande vitesse. En cours de fonctionnement, des éclats de roche ou d'autres particules du matériau de travail peuvent se transformer en projectiles et provoquer des blessures en frappant l'opérateur ou d'autres personnes. Pour réduire ces risques :

- ▶ Utilisez des équipements de protection personnelle et un casque de sécurité approuvés, y compris une protection oculaire résistante avec protection latérale.
- ▶ Assurez-vous qu'aucune personne non autorisée ne pénètre dans la zone de travail.
- ▶ Maintenir le lieu de travail propre et exempt de corps étrangers.
- ▶ Assurez-vous que la pièce à travailler est correctement fixée.

▲ AVERTISSEMENT Risques liés aux éclats de roche

L'utilisation de l'outil d'insertion comme outil à main peut engendrer des éclats de roche qui risquent de heurter l'opérateur et de le blesser.

- ▶ Ne jamais utiliser l'outil d'insertion comme outil d'arasement. Ces outils sont spécialement conçus et traités thermiquement pour être utilisés uniquement dans une machine.

▲ AVERTISSEMENT Risques de glissades, de trébuchements et de chute

Il existe des risques de glissades, de trébuchements et de chute, par exemple sur des flexibles ou d'autres objets. Une glissade, un trébuchement ou une chute peut provoquer des blessures. Pour réduire ce risque :

- ▶ Toujours s'assurer qu'aucun flexible ou autre objet ne risque, d'une manière ou d'une autre, de gêner le passage d'une personne.
- ▶ Assurez-vous de toujours adopter une position stable, les pieds dans le prolongement de vos épaules et votre poids bien réparti sur les deux jambes.

▲ AVERTISSEMENT Risques liés aux mouvements

Lorsque vous utilisez la machine pour effectuer des travaux, vous pouvez ressentir de l'inconfort dans les mains, les bras, les épaules, le cou, ou d'autres parties du corps.

- ▶ Adoptez une position confortable tout en maintenant une base sûre et évitez les postures inconfortables en déséquilibre.
- ▶ Changer de posture durant les longues sessions de travail peut contribuer à éviter l'inconfort et la fatigue.
- ▶ En cas de symptômes persistants ou récurrents, consultez un professionnel de la santé qualifié.

▲ AVERTISSEMENT Dangers liés aux vibrations

L'utilisation normale et adéquate de la machine expose l'opérateur à des vibrations. L'exposition régulière et fréquente aux vibrations peut causer, contribuer à, ou aggraver les blessures ou les troubles au niveau des doigts, des mains, des poignets, des bras, des épaules et/ou des nerfs et de la circulation sanguine et/ou d'autres parties du corps de l'opérateur, y compris les blessures ou les troubles qui peuvent se développer graduellement sur des semaines, des mois, ou des années. De telles blessures ou troubles peuvent inclure des dommages au niveau du système de circulation sanguine, du système nerveux, des articulations et éventuellement au niveau d'autres parties du corps.

En cas d'apparition, à un moment quelconque, d'engourdissement, de malaises récurrents persistants, de sensation de brûlure, de raideur, de douleur lancinante, de fourmillement, de douleur, de maladresse, d'affaiblissement du poignet, de blanchissement de la peau ou d'autres symptômes lors de l'utilisation de la machine ou en dehors de celle-ci, cessez toute utilisation de la machine, informez votre employeur et consultez un médecin. Le fait de continuer à utiliser la machine après l'apparition de tels symptômes risque de les aggraver et/ou de les rendre permanents.

Utilisez et entretenez la machine conformément aux instructions, afin d'éviter toute augmentation inutile des vibrations.

Les mesures suivantes peuvent contribuer à réduire l'exposition de l'opérateur aux vibrations :

- ▶ Laissez l'outil faire le travail. Utilisez une poignée manuelle réduite permettant un contrôle approprié et une utilisation en toute sécurité.
- ▶ Si la machine est équipée de poignées antivibratoires, maintenez-les en position centrale, en évitant d'enfoncer les poignées jusqu'à leur butées.
- ▶ Lorsque le mécanisme de percussion est activé, le seul contact entre votre corps et la machine doit être celui de vos mains sur la/les poignée(s). Évitez tout autre contact, notamment d'appuyer une partie quelconque du corps contre la machine ou de vous pencher sur cette dernière pour essayer d'en augmenter la capacité d'avance. Il est également important de ne pas maintenir le dispositif de marche/arrêt actionné lorsque vous retirez l'outil de la surface de travail cassée.
- ▶ Assurez-vous que l'outil inséré est correctement entretenu (et aiguisé s'il s'agit d'un outil coupant), en bon état et de la taille appropriée. Les outils insérés mal entretenus, usés ou de dimension inadaptée allongent la durée d'exécution d'une tâche (et celle de l'exposition aux vibrations) et peuvent induire ou contribuer à des niveaux plus élevés d'exposition aux vibrations.

- ▶ Arrêtez immédiatement de travailler si la machine commence soudainement à vibrer fortement. Avant de recommencer à travailler, identifiez la cause de l'augmentation des vibrations et remédiez-y.
- ▶ Évitez d'attraper, de tenir et de toucher l'outil inséré lorsque la machine est en marche.
- ▶ Participez à la surveillance médicale, aux examens médicaux et aux programmes de formation offerts par votre employeur ou imposés par la loi.
- ▶ Lorsque vous travaillez dans des conditions de froid, portez des vêtements chauds et gardez les mains au chaud et au sec.

Voir « Énoncé déclaratif sur les vibrations et le bruit » pour la machine, y compris les valeurs des vibrations déclarées. Ces informations figurent à la fin des « Prescriptions de sécurité et instructions pour l'opérateur ».

- ◆ Respectez la pression d'air recommandée lorsque vous utilisez la machine. Une pression d'air plus élevée ou plus faible peut entraîner des niveaux de vibrations plus élevés.

▲ DANGER Dangers électriques

La machine n'est pas isolée électriquement. Tout contact de la machine avec de l'électricité risque de provoquer des blessures graves ou la mort.

- ▶ N'utilisez jamais la machine près d'un câble électrique ou d'une autre source d'électricité.
- ▶ Assurez-vous de l'absence de câbles cachés ou d'autres sources d'électricité dans la zone de travail.

▲ AVERTISSEMENT Dangers liés aux objets cachés

En cours de fonctionnement, les tuyaux et câbles cachés constituent une source potentielle de blessures graves.

- ▶ Vérifiez la composition du matériau avant toute utilisation.
- ▶ Faites attention aux câbles et aux tuyaux cachés, comme les tuyaux d'électricité, de téléphone, d'eau, de gaz et les canalisations d'égouts, etc.
- ▶ Si vous pensez avoir touché un objet caché avec l'outil, arrêtez immédiatement la machine.
- ▶ Vérifiez que tout danger est écarté avant de continuer.

▲ AVERTISSEMENT Démarrage accidentel

Le démarrage accidentel de la machine peut provoquer des blessures.

- ▶ Gardez les mains bien éloignées du dispositif de marche/arrêt jusqu'au moment de commencer à démarrer la machine.
- ▶ Apprenez à éteindre la machine en cas d'urgence.
- ▶ Relâchez immédiatement le dispositif de marche/arrêt en cas de coupure d'énergie quelconque.
- ▶ À chaque fixation ou retrait de l'outil d'insertion, coupez l'arrivée d'air, purgez la machine en appuyant sur le dispositif de marche/arrêt, puis débranchez la machine de la source d'alimentation.

▲ AVERTISSEMENT Danger lié au bruit

Des niveaux de bruit élevés peuvent provoquer une perte d'audition permanente et d'autres problèmes tels que l'acouphène (sonnerie, grondement, sifflement ou bourdonnement dans les oreilles). Afin de réduire les risques et d'éviter une augmentation inutile des niveaux de bruit :

- ▶ L'évaluation des risques de ces dangers et de mise en œuvre de mesures de contrôle appropriées est essentielle.
- ▶ Exploiter et entretenir la machine comme cela est recommandé dans ces instructions.
- ▶ Sélectionner, entretenir et remplacer l'outil d'insertion comme cela est recommandé dans ces instructions.
- ▶ Si la machine dispose d'un silencieux, il faut vérifier qu'il est en place et en bon état de fonctionnement.
- ▶ Toujours utiliser des protections auditives.
- ▶ Utilisez un matériau amortissant afin d'éviter que les pièces « résonnent ».

Maintenance, précautions

▲ AVERTISSEMENT Modifications sur la machine

Toute modification sur la machine peut provoquer des blessures physiques à vous-même ou aux autres.

- ▶ Ne jamais modifier la machine. Toute machine modifiée n'est pas couverte par la garantie ou la responsabilité produits.
- ▶ Utilisez uniquement des pièces détachées, des outils d'insertion et des accessoires d'origine approuvés par Atlas Copco.
- ▶ Remplacez immédiatement les pièces endommagées.
- ▶ Remplacez les éléments ou pièces usés sans attendre.

▲ ATTENTION Outil d'insertion brûlant

L'extrémité de l'outil d'insertion devient chaude et affûtée à l'usage. Vous risquez de vous brûler et de vous couper si vous la touchez.

- ▶ Ne touchez jamais un outil d'insertion brûlant ou affûté.
- ▶ Attendez que l'outil d'insertion ait refroidi avant d'effectuer des tâches de maintenance.

▲ AVERTISSEMENT Risques liés à l'outil d'insertion

L'actionnement accidentel du dispositif de marche/arrêt en cours d'entretien ou d'installation peut causer des blessures graves, si la source d'alimentation est connectée.

- ▶ Ne jamais inspecter, nettoyer, installer ou déposer l'outil d'insertion avec la source d'alimentation connectée.

Stockage, précautions

- ◆ Conservez la machine et les outils bien verrouillés, dans un endroit sûr, hors de la portée des enfants.

Vue d'ensemble

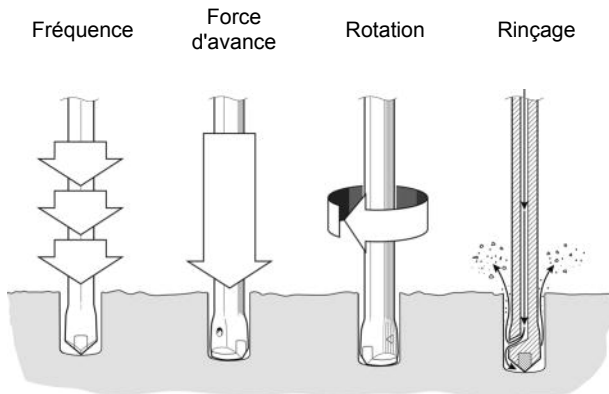
Il convient de lire attentivement la section des consignes de sécurité figurant sur les pages précédentes du présent document avant toute utilisation de la machine, afin de minimiser le risque de blessures graves ou de dommages pouvant entraîner la mort.

Conception et fonctionnement

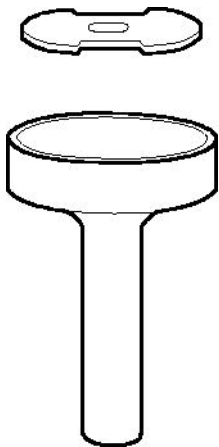
Les marteaux perforateurs pneumatiques RH 571, RH 572 et RH 658 sont conçus pour la perforation verticale, le burinage et le perçage dans le béton, dans les domaines de la construction et de l'exploitation minière. Toute autre utilisation est interdite.

Pour choisir l'outil d'insertion correct, veuillez contacter votre représentant local Atlas Copco.

Principe de fonctionnement d'un marteau perforateur

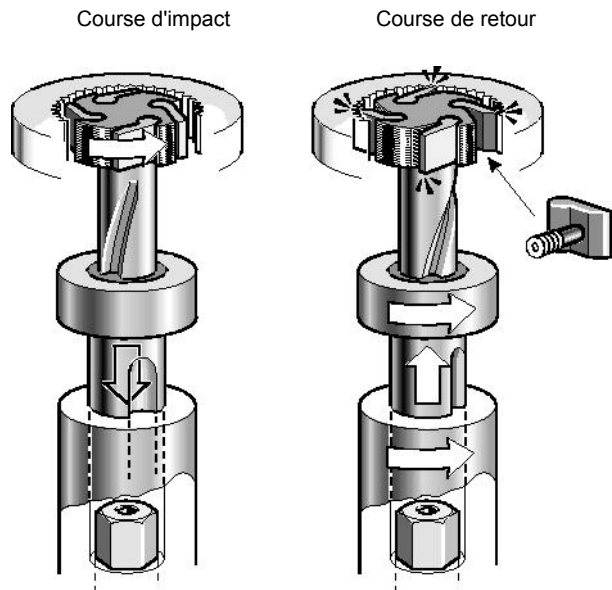


Mécanisme de la vanne de commande



La soupape dirige l'air en alternance de chaque côté du piston afin de le faire monter et descendre. Le piston transmet alors l'énergie par le fleuret vers le fond du trou.

Mécanisme de rotation

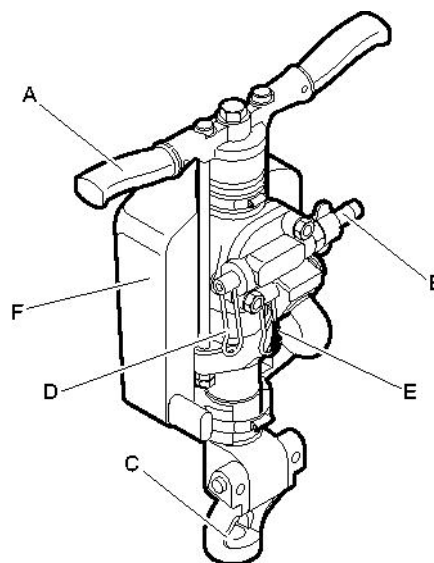


Le marteau-perforateur tourne légèrement à chaque coup engendré par la rotation de l'arbre hélicoïdal. La rotation se fait dans le sens inverse des aiguilles d'une montre et s'effectue lors de la course de retour du piston.

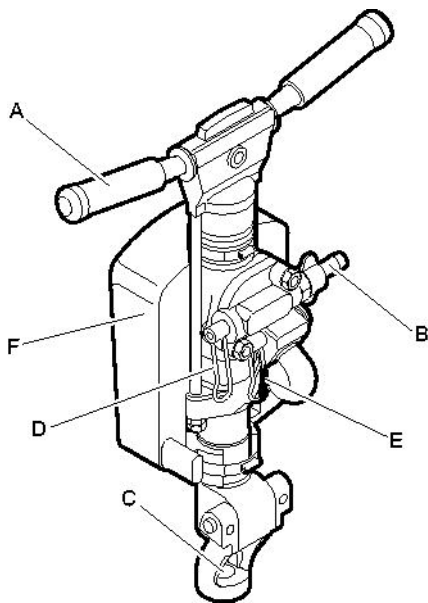
Rinçage

Le soufflage est dirigé à travers un trou dans le piston. Cela signifie que l'air de soufflage est fourni dès que l'air comprimé arrive.

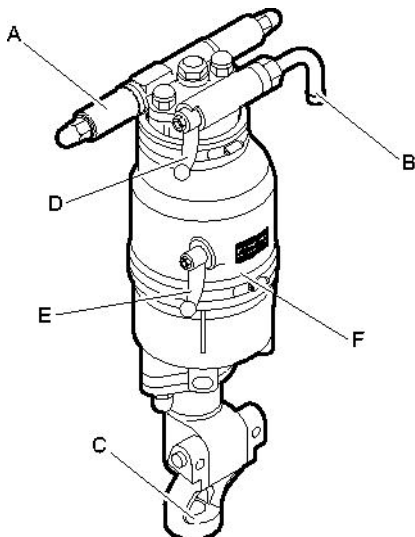
Principales pièces



RH 571-5L/LS



RH 572E



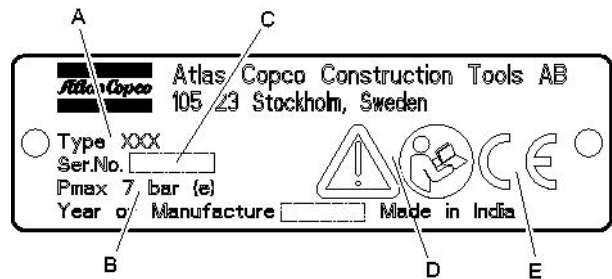
RH 658L/LS

- A. Poignée
- B. Embout de prise d'air
- C. Décaleur du fleuret
- D. Levier de commande
- E. Levier pour soufflage supplémentaire
- F. Silencieux (option)

Étiquettes

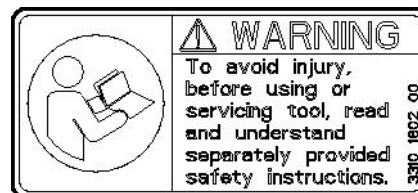
La machine comporte des étiquettes contenant des informations importantes pour la sécurité des personnes et l'entretien de la machine. Les étiquettes doivent être faciles à lire. De nouvelles étiquettes peuvent être commandées en utilisant la liste des pièces détachées.

Plaque signalétique



- A. Type de machine
- B. Pression d'air comprimé maximale autorisée
- C. Numéro de série
- D. Le symbole « Attention » accompagné du symbole du livre signifie que l'utilisateur doit lire les « Prescriptions de sécurité et instructions pour l'opérateur » avant la première utilisation de la machine.
- E. Le symbole CE indique la conformité de la machine avec les directives applicables. Pour plus d'informations, consultez la déclaration CE de conformité fournie avec la machine. L'absence du symbole CE indique que la machine n'est pas conforme aux directives applicables.

Étiquette de sécurité



Lire et comprendre les consignes de sécurité fournies séparément avant d'utiliser l'outil ou d'effectuer son entretien, afin d'éviter tout risque de blessures.

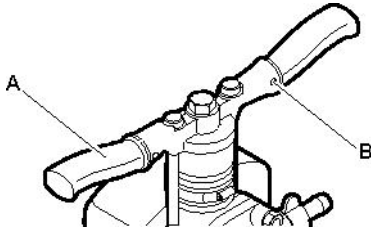
Installation

Réception et déballage du marteau perforateur

Protections en plastique

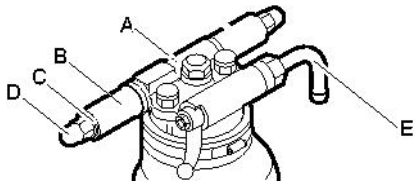
Avant la première utilisation du marteau perforateur, retirez toutes les protections en plastique des raccords, des orifices de ventilation et du porte-douille.

Assemblage



RH 571-5L/LS

- 1) Appuyez sur les douilles et les poignées (A) de chaque côté de la tête arrière.
- 2) Fixez les poignées en enfonçant les chevilles de ressort (B) dans la tête arrière.



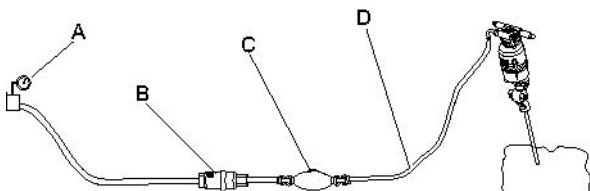
RH 658L/LS

- 1) Placez le boulon de poignée (A) dans la tête arrière.
- 2) Placez les poignées (B) de chaque côté du boulon de poignée.
- 3) Fixez les poignées avec une rondelle (C) et un écrou borgne (D) des deux côtés.
- 4) Vissez le raccord (E) dans la prise d'air, jusqu'à ce qu'il serre fermement.

Lubrification

Après déballage et installation de l'outil, versez une quantité généreuse d'huile lubrifiée dans la connexion d'air.

Flexibles et connexions



- A. Source d'air comprimé
- B. Séparateur d'eau (en option)
- C. Graisseur (en option)
- D. 3 m maximum de flexible d'air comprimé entre le graisseur et la machine.

- ♦ Vérifiez que vous utilisez la bonne pression de fonctionnement recommandée, 6 bars (e).
- ♦ Ne dépassez pas la pression d'air maximale autorisée pour la machine - 7 bar (e).
- ♦ Éliminez toute impureté du flexible d'air comprimé avant de le brancher à la machine.
- ♦ Sélectionnez un flexible d'air comprimé possédant une dimension et une longueur correctes. Pour les longueurs de flexible allant jusqu'à 30 mètres, il faut utiliser un flexible de diamètre intérieur minimal de 19 mm (3/4"). Si la longueur de flexible est de 30 à 100 mètres, il faut utiliser un flexible de diamètre intérieur minimal de 25 mm (1").

Mesures de prévention du gel

Le givrage peut se produire dans le silencieux lorsque la température ambiante est de 0 à 10°C (32-50 °F) et que l'humidité relative est élevée.

La machine est conçue pour éviter le givrage dans le silencieux. Cependant, dans des conditions extrêmes, du givre peut se former dans le silencieux.

Les actions suivantes sont mises en oeuvre pour éviter le risque de formation de givre :

- ♦ Utilisez le lubrifiant Rock Drill AIR-OIL d'Atlas Copco comme lubrifiant.
- ♦ Utilisez un séparateur d'eau VAM 5A.

Si le marteau perforateur venait à geler, il ne faut surtout pas le chauffer pour faire fondre la glace. Laissez toujours la glace fondre à température ambiante.

N'utilisez jamais d'alcool dénaturé ou de substances similaires dans le marteau perforateur, car ils interfèrent avec la lubrification et provoquent une usure accélérée.

Branchement d'un séparateur d'eau

La longueur de l'arrivée d'air entre le compresseur et le séparateur d'eau doit permettre le refroidissement et la condensation de la vapeur d'eau dans le tuyau avant d'atteindre le séparateur d'eau.

Si la température ambiante est inférieure à 0 °C (32 °F), le tuyau doit être suffisamment court pour éviter à l'eau de geler avant d'atteindre le séparateur d'eau.

Graissage

Le marteau perforateur est lubrifié avec de l'huile mélangée à l'air comprimé, ainsi apportée aux pièces nécessitant une lubrification continue. Le mélange huile/air comprimé s'effectue à l'aide d'un lubrificateur CLG 30 d'Atlas Copco, connecté au circuit pneumatique.

Utilisez le lubrifiant olio-pneumatique d'Atlas Copco développé spécialement pour les marteaux perforateurs pneumatiques BBC, BBD et RH. Le lubrifiant olio-pneumatique pour marteau perforateur est biodégradable selon OECD 301 et une solidité du film élevée pouvant supporter de fortes charges. Si le lubrifiant olio-pneumatique pour marteau perforateur n'est pas disponible, utilisez une huile minérale pour outil pneumatique présentant les caractéristiques recommandées dans le tableau ci-dessous.

Plage de température (°C)	Degré de viscosité (ISO 3448)
-30 à 0	ISO VG 32-68
-10 à +20	ISO VG 68-100
+10 à +50	ISO VG 100-150

Réglage de pression

Pression d'air

Assurez-vous que le compresseur fournit à l'outil le volume d'air comprimé requis entre 4 et -6 bar.

1. Une pression trop élevée peut entraîner un dysfonctionnement et endommager l'appareil.
2. Une pression trop basse se traduit par une perte de vitesse lors du forage.

Étalonner la pression d'air correcte

Utilisez la jauge de pression Atlas Copco (**9090 0550 80**) pour vérifier la pression d'air pendant le fonctionnement du marteau perforateur. Mesurez la pression à proximité du raccord d'entrée. La pression de service maximale autorisée est de 6 bar.



La jauge de pression est équipée d'une aiguille qu'il convient d'introduire dans le flexible pour mesurer la pression interne.

Fleuret

▲ AVERTISSEMENT Outil d'insertion éjecté

Si la sécurité de l'outil n'est pas verrouillée sur la machine, l'outil d'insertion risque d'être éjecté avec force, et de provoquer des dommages corporels.

- Avant de changer l'outil d'insertion, arrêtez la machine, coupez l'alimentation d'air comprimé et purgez la machine en activant le dispositif de marche/arrêt.

Avant de fixer le fleuret

Vérifiez que le diamètre et la longueur de l'emmanchement de l'outil conviennent au porte-fleuret utilisé. L'emmanchement du fleuret doit être propre et l'outil en bon état. Les emmanchements ébréchés, arrondis, avec un défaut d'équerre ou trop durs à leur extrémité ne fonctionneront pas efficacement et provoqueront une défaillance prématurée du piston.

Inspectez le fleuret :

Des fleurets émoussés ralentiront la vitesse du forage et provoqueront une tension excessive sur le mécanisme. Lorsque vous changez les fleurets, vérifiez que vous utilisez un fleuret du même diamètre que celui utilisé lors du dernier forage.

Avant de forer, vérifiez que l'orifice d'injection pratiqué dans le fleuret n'est pas bouché.

▲ ATTENTION Outil d'insertion brûlant

L'extrémité de l'outil d'insertion devient chaude et affûtée à l'usage. Vous risquez de vous brûler et de vous couper si vous la touchez.

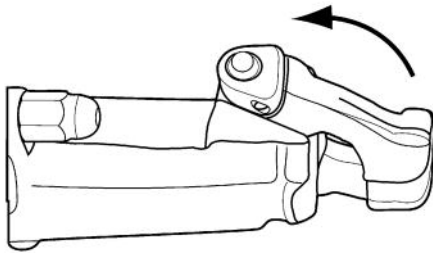
- Ne touchez jamais un outil d'insertion brûlant ou affûté.
- Attendez que l'outil d'insertion ait refroidi avant d'effectuer des tâches de maintenance.

AVIS Ne jamais refroidir un outil d'insertion chaud dans l'eau. Ceci peut fragiliser l'outil et entraîner sa rupture prématurée.

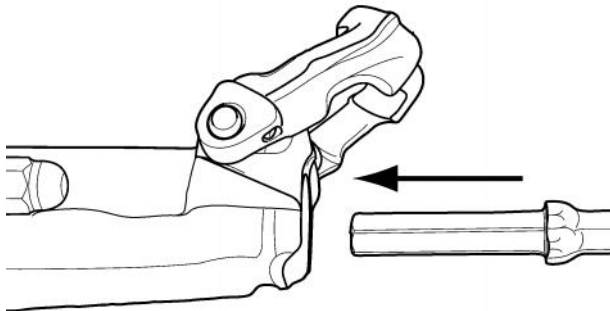
Fixation du fleuret

Les instructions suivantes doivent être observées lors de chaque fixation du fleuret :

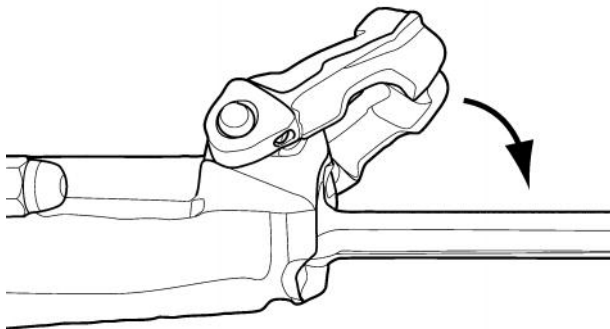
1. Poussez le décaleur vers l'extérieur dans le sens de la flèche, jusqu'à ce que sa partie avant coïncide avec la collerette du fleuret.



2. Insérez le fleuret dans le porte-douille.



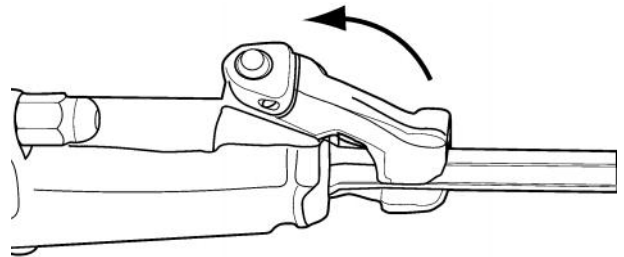
3. Quand le fleuret est en butée, repoussez le décaleur pour le verrouiller.



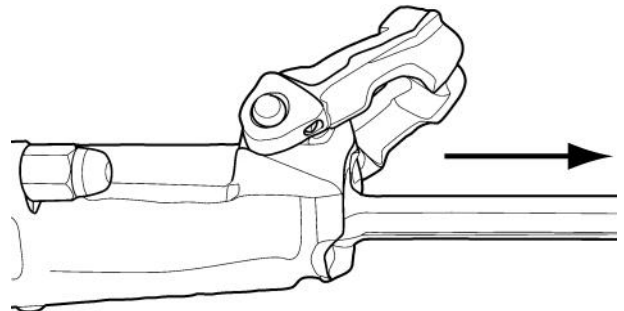
Retrait du fleuret

Les instructions suivantes doivent être observées lors de chaque dépose du fleuret :

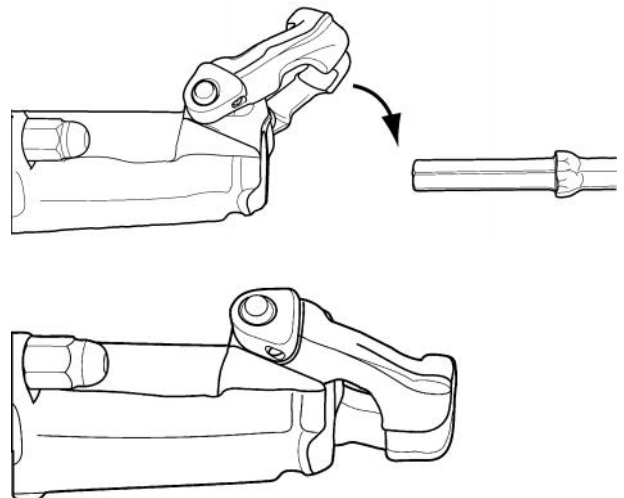
1. Poussez le décaleur vers l'extérieur dans le sens de la flèche jusqu'à ce que la collerette du fleuret se désolidarise de la partie avant du décaleur.



2. Retirez le fleuret en tirant dessus.



3. Refermez le dispositif de retenue.



Utilisation

▲ AVERTISSEMENT Démarrage accidentel

Le démarrage accidentel de la machine peut provoquer des blessures.

- ▶ Gardez les mains bien éloignées du dispositif de marche/arrêt jusqu'au moment de démarrer la machine.
- ▶ Apprenez à éteindre la machine en cas d'urgence.
- ▶ Arrêtez immédiatement la machine en cas de coupure d'énergie quelconque.

Opérations à effectuer avant la mise en service

Contrôler l'équipement de forage

- ◆ Vérifiez que l'intégralité de l'équipement de forage est en bon état de marche.
- ◆ Vérifiez que la surface d'impact de l'emmanchement du fleuret est bien plate et sans traces d'usure.
- ◆ Assurez-vous que l'arrivée d'air et les ports d'échappement ne sont pas obstrués.
- ◆ Vérifiez que les orifices d'injection/soufflage du fleuret et le foret ne sont pas bouchés et que l'air ou l'eau circulent sans obstruction.
- ◆ Assurez-vous que le filtre à air (situé dans le raccord d'alimentation en air comprimé) est bien propre, sans pliure ni torsion.
- ◆ Assurez-vous que tous les raccords sont bien serrés et étanches.

▲ DANGER Coup de fouet d'un flexible pneumatique

Un flexible d'air comprimé qui se détache risque de fouetter dans tous les sens et de provoquer des dommages corporels ou la mort

- ▶ Vérifiez que le flexible d'air comprimé et les raccords ne sont pas endommagés.
- ▶ Vérifiez que les raccords d'air comprimé sont correctement fixés.

Purger le flexible à air

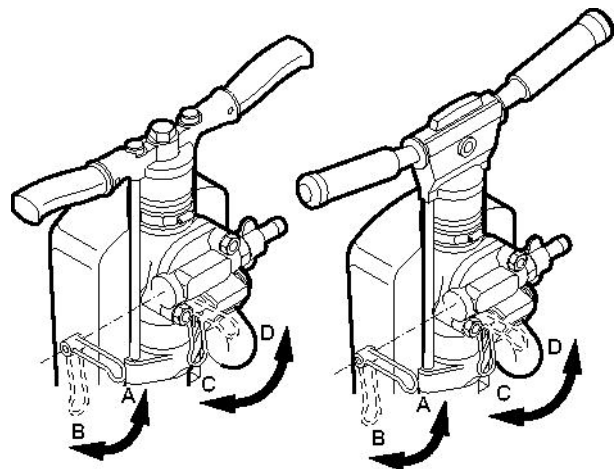
- ◆ Purgez le flexible à air chaque jour avant d'utiliser le marteau perforateur pour éliminer l'humidité et les saletés accumulées.

Remplissez le lubrificateur d'huile

- ◆ Vérifiez que le porte-fleuret et le fleuret soient toujours couverts d'un film d'huile.

Commandes

Levier de commande

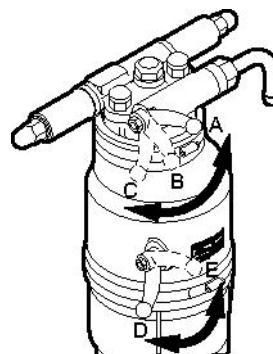


RH 571-5L/LS

RH 572E

Le marteau perforateur est équipé d'un levier de commande qui permet de réguler le débit d'air comprimé dans le mécanisme de percussion et d'un levier pour soufflage supplémentaire.

- A. Soupape d'accélérateur fermée (position arrêt)
- B. Levier de commande ouvert à fond
- C. Soupape de soufflage fermée (position arrêt)
- D. Soupape de soufflage ouverte à fond



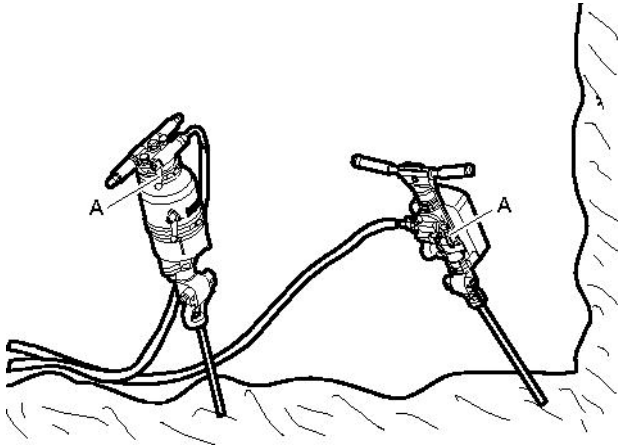
RH 658L/LS

Le marteau perforateur est équipé d'un levier de commande qui permet de réguler le débit d'air comprimé dans le mécanisme de percussion et d'un levier pour soufflage supplémentaire.

- A. Soupape d'accélérateur fermée (position arrêt)
- B. Levier de commande à demi ouvert
- C. Levier de commande ouvert à fond
- D. Soupape de soufflage fermée (position arrêt)
- E. Soupape de soufflage ouverte à fond

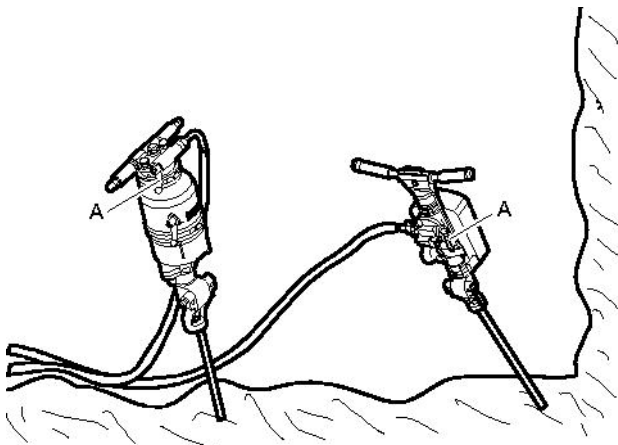
Marche/arrêt

Démarrage du marteau perforateur



1. Ouvrez la vanne d'alimentation du compresseur.
2. Alignez le marteau perforateur de façon à ce que le fleuret touche le point d'amorçage souhaité.
3. Poussez légèrement le levier de commande (A) vers l'avant pour activer le dispositif de percussion et de rotation.
4. Amorcez le trou avec une force de poussée réduite.
5. Poussez le levier de commande (A) à fond vers l'avant une fois que le fleuret a trouvé une base sûre dans la roche.

Arrêt du marteau perforateur



1. Tirez le levier de commande (A) vers l'arrière en position fermée, pour arrêter la percussion et la rotation.

Utilisation

Forage

- ◆ Utilisez des chaussures, des gants et un casque de sécurité, une protection auditive ainsi que des protecteurs oculaires résistants aux chocs avec protection latérale.
- ◆ Restez bien droit et maintenez toujours la machine avec les deux mains.
- ◆ Maintenez fermement l'outil d'insertion contre la surface à travailler avant de démarrer la machine.

Lors des pauses

- ◆ Pendant toutes vos pauses, vous devez éloigner la machine de manière à éliminer tout risque de démarrage accidentel. Assurez-vous de placer la machine sur le sol, de manière qu'elle ne tombe pas.
- ◆ En cas de pause prolongée ou lorsque vous quittez votre lieu de travail : Coupez l'alimentation électrique, puis purgez la machine en activant le dispositif de marche/arrêt.

Maintenance

Une maintenance régulière est une condition fondamentale pour que la machine reste un outil sûr et efficace. Respectez soigneusement les instructions d'entretien.

- ◆ Avant de commencer l'entretien de la machine, nettoyez-la afin d'éviter toute exposition aux substances dangereuses. Voir « Dangers liés aux poussières et aux fumées ».
- ◆ N'utilisez que des pièces de rechange autorisées. Aucun dommage ou mauvais fonctionnement dû à l'utilisation de pièces non autorisées n'est couvert par la garantie ou la responsabilité produits.
- ◆ Lors du nettoyage des pièces mécaniques avec un solvant, assurez-vous que vous respectez bien les normes de sécurité et de santé et que la ventilation est suffisante.
- ◆ Pour un entretien plus complet de la machine, contactez l'atelier homologué le plus proche.
- ◆ Après chaque service, vérifiez que le niveau de vibrations de la machine est normal. Sinon, contactez votre atelier agréé le plus proche.

Différences entre les pièces d'origine et les pièces copiées

Lorsque vous achetez une pièce, la première chose à faire est de vérifier qu'il s'agit bien d'une pièce de la marque Atlas Copco. La plupart des pièces peuvent être identifiées.



Les pièces pour marteau perforateur sont normalement marquées d'un numéro de pièce et de la marque d'identification d'Atlas Copco : un marteau perforateur entouré d'un cercle. Plus rarement, la pièce est uniquement marquée du cercle ou du numéro de pièce.

Les pièces en plastique ou en caoutchouc ne sont normalement pas marquées.

Les concurrents qui copient nos pièces marquent souvent des pièces plus onéreuses. Certaines pièces indiquent uniquement un numéro de série, mais certaines présentent aussi une marque d'identification sous la forme des initiales du nom du fabricant. Les numéros de pièces sur les pièces génériques sont généralement marqués à la main, montrant des irrégularités. Les numéros de pièces marquées par Atlas Copco sont réguliers et les chiffres sont tous de la même taille. De plus, la profondeur de ces chiffres, tout comme l'espace qui les sépare, sont les mêmes.

Chaque jour

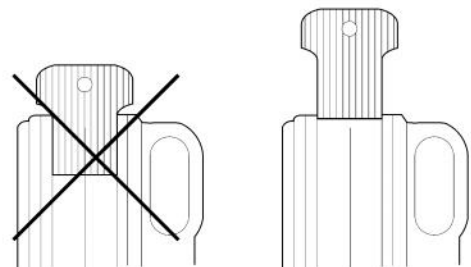
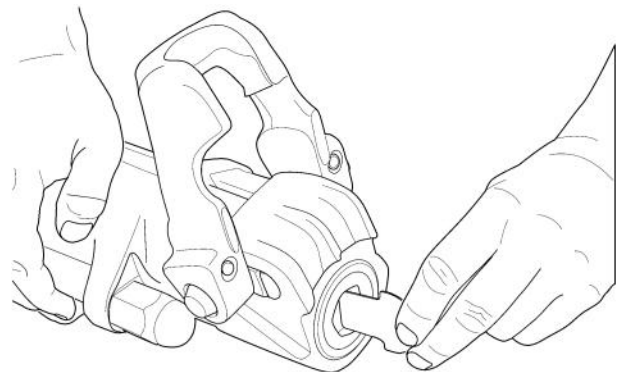
Avant d'entreprendre une tâche de maintenance ou de changer un outil d'insertion d'une machine pneumatique, coupez toujours l'arrivée d'air et purgez la machine en appuyant sur le dispositif de marche/arrêt. Débranchez ensuite le flexible pneumatique de la machine.

- ◆ Nettoyez et inspectez la machine et ses fonctionnalités chaque jour, avant son utilisation.
- ◆ Effectuez une inspection générale des fuites et dommages.
- ◆ Vérifiez que l'embout de prise d'air est bien serré et que le raccord décaleur n'est pas endommagé.

- ◆ Contrôlez le fonctionnement de la poignée de gaz. Assurez-vous qu'elle se déplace librement de haut en bas.
- ◆ Contrôlez le fonctionnement du décaleur. Assurez-vous qu'il verrouille le fleuret.
- ◆ Remplacez immédiatement les pièces endommagées.
- ◆ Remplacez les éléments ou pièces usés sans attendre.
- ◆ Contrôlez les tirants de la machine. Assurez-vous qu'ils sont bien serrés.
- ◆ Si la machine dispose d'un silencieux, il faut vérifier qu'il est en bon état de fonctionnement.

Contrôle de l'usure

1. Vérifiez l'usure de la douille porte-fleuret à l'aide du calibre Atlas Copco (**3091 0038 00**) (22 mm). Si la limite d'usure a été dépassée, l'emmanchement du fleuret s'usera plus rapidement, ou se déformera. Cela risque de provoquer des incidents et d'augmenter l'usure du fleuret.



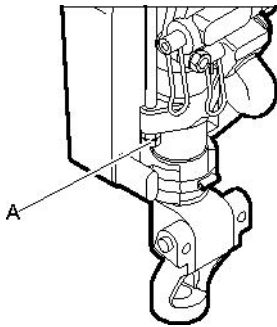
2. Vérifiez l'état des flexibles, des raccords et des commandes afin de vous assurer qu'ils ne présentent ni traces de fuite ou de détérioration.
3. Vérifiez que le marteau-perforateur est correctement lubrifiés. Remplissez le lubrificateur si nécessaire.

4. Purgez le séparateur d'eau.

Maintenance périodique

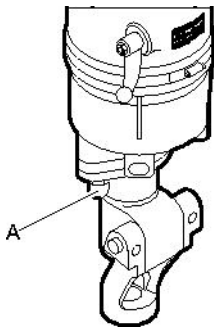
Après chaque période d'utilisation d'environ 100 heures, ou trois fois par an, la machine doit être démontée et toutes les pièces nettoyées et examinées. Ce travail doit être effectué par du personnel autorisé et formé à cette tâche.

Couple de serrage



RH 571-5L/LS, RH 572E

A. Écrou boulon latéral, 90 Nm (66 ft.lbf)



RH 658L/LS

A. Écrou boulon latéral, 125 Nm (92 ft.lbf)

Types de dégâts

Les pièces usées ou cassées doivent toujours être examinées attentivement avant d'être mises au rebut. Elles peuvent donner des informations importantes sur l'état du marteau perforateur et sur la façon dont il est utilisé et entretenu.

Symptôme	Cause
Les pièces en acier sont bleuées	Les pièces ont été exposées à une température excessive. Cela peut être dû à une lubrification insuffisante ou à un fonctionnement au ralenti
Les pièces métalliques présentent des fissures quasi microscopiques sur les surfaces d'usure	Voir ci-dessus
Les pièces en bronze présentent des irrégularités en surface	Voir ci-dessus
Rayures	Dégâts secondaires L'intérieur du perforateur est sale
	Mauvais alignement intérieur provoqué par une tension inégale des boulons latéraux

Stockage

- Lubrifiez systématiquement le marteau perforateur avant de le ranger.
- Stockez toujours la machine dans un endroit propre et sec.
- Assurez-vous qu'aucun corps étranger ne pénètre dans l'appareil.
- Protégez le porte-fleuret à l'aide du cache en plastique fourni avec l'appareil. Le cas échéant, utilisez un bouchon de bois ou un morceau propre de bourre de coton.
- En cas de stockage de longue durée, appliquez une certaine quantité d'huile directement sur les entrées d'air de la perforatrice puis activez brièvement l'air. Cette mesure protégera la machine contre la corrosion.

Destruction d'une machine usagée

Toute machine usagée doit être traitée et détruite de telle manière que la plus grande partie des matériaux puisse être recyclée et que tout impact négatif sur l'environnement soit aussi faible que possible, et conformément aux réglementations locales.

Caractéristiques techniques

Caractéristiques de la machine

Modèle	No de référence	Alésage du piston mm (in.)	Course mm (in.)	Longueur totale mm (in.)	Poids kg (lb)	Dimension de l'emmanchement d'outil mm (in.)
RH 571-5L	8311 0301 29	55 (2,16)	60 (2,36)	510 20	17,8 (39,2)	22 X 108 (7/8 x 4 1/4)
RH 571-5LS	8311 0301 37	55 (2,16)	60 (2,36)	510 20	18,9 (41,7)	22 X 108 (7/8 x 4 1/4)
RH 572E	8311 0301 78	55 (2,16)	60 (2,36)	583 23	22,8 (50,2)	22 X 108 (7/8 x 4 1/4)
RH 658L	8311 0302 86	65 (2,56)	59 (2,32)	565 22 1/4	24,0 (52,9)	22 X 108 (7/8 x 4 1/4)
RH 658LS	8311 0302 87	65 (2,56)	59 (2,32)	565 22 1/4	25,0 (55,1)	22 X 108 (7/8 x 4 1/4)

Modèle	Consommation d'air (6 bar) l/s (foot ³ /min)	Fréquence de frappe (6 bar) Hz	Diamètre de foration mm (in.)
RH 571-5L	39 (83)	35	28-34 (1,10-1,34)
RH 571-5LS	39 (83)	33	28-34 (1,10-1,34)
RH 572E	37 (78)	34	28-34 (1,10-1,34)
RH 658L	58 (123)	34	29-40 (1,14-1,57)
RH 658LS	58 (123)	34	29-40 (1,14-1,57)

Énoncé déclaratif sur les vibrations et le bruit

Niveau de puissance acoustique garanti **L_w** selon la norme ISO 3744 conformément à la directive 2000/14/CE.

Niveau de pression acoustique **L_p** selon la norme ISO 11203.

Niveau des vibrations **A** et incertitude **B** selon la norme ISO20643. Veuillez consulter le tableau « Données relatives au bruit et aux vibrations » pour les valeurs A, B, etc.

Ces valeurs déclarées ont été obtenues à l'issue de tests de type effectués en laboratoire conformément à la directive ou aux normes énoncées et peuvent être comparées aux valeurs déclarées pour d'autres outils testés conformément aux mêmes directives ou normes. Ces valeurs déclarées ne sont pas appropriées pour l'utilisation dans les évaluations de risques et les valeurs mesurées dans différents lieux de travail peuvent être plus élevées. Les valeurs d'exposition et le risque de blessure pour un utilisateur particulier sont uniques et dépendent de la façon dont il travaille, du matériel sur lequel la machine est utilisée, ainsi que de la durée d'exposition, de l'état physique de l'utilisateur et de l'état de la machine.

Atlas Copco Construction Tools AB, ne peut être tenu pour responsable des conséquences d'une utilisation des valeurs déclarées à la place des valeurs correspondant à l'exposition réelle, dans le cadre d'une évaluation des risques sur un lieu de travail dont nous ne maîtrisons aucun élément.

L'utilisation de cet outil peut entraîner l'apparition du syndrome de vibration du système main-bras si elle n'est pas effectuée de manière adéquate. Vous trouverez guide publié par l'UE sur les vibrations transmises à la main et au bras à l'adresse <http://www.humanvibration.com/EU/VIBGUIDE.htm>

Nous recommandons un programme de contrôle médical pour détecter par avance les symptômes éventuellement liés à l'exposition aux vibrations, afin de permettre la modification des procédures de gestion et la prévention des infirmités futures.

Données relatives au bruit et aux vibrations

Modèle	Bruit		Vibration	
	Valeurs déclarées		Valeurs déclarées	
	Pression acoustique	Puissance acoustique	Valeurs triaxiales	
	ISO 11203	2000/14/CE	ISO 20643	
	Lp r=1m dB(A) rel 20µPa	Lw garanti dB(A) rel 1pW	A m/s ² valeur	B m/s ² étalé
RH 571-5L	106	119	23,2	2,8
RH 571-5LS	99	112	23,2	2,8
RH 572E	100	113	9,7	1,9
RH 658L	106	116	21,2	2,6
RH 658LS	99	112	21,2	2,6

Accessoires

Description	Remarque	Nombre	Référence
CLG 30, type européen	Pour huile minérale et huile synthétique	1	8202 5102 39
BLG 30, type européen	Pour huile minérale	1	8202 5102 05
VAM 01, type européen	Débit d'air <50 l/s (106 ft ³ /min)	1	8092 0110 58
VAM 5A, type européen	Débit d'air <120 l/s (254 ft ³ /min)	1	8092 0110 82
Flexible caoutchouc, prémonté	20 mm (¾")	1	9030 2047 00
Flexible plat X-LITE , universel	20 mm (¾")	1	9030 2115 00
Lubrifiant AIR-OIL pour marteau perforateur	4 l	1	8099 0201 04
Lubrifiant AIR-OIL pour marteau perforateur	10 l	1	8099 0201 10

Déclaration CE de conformité

Déclaration CE de conformité (Directive 2006/42/CE)

Nous, Atlas Copco Construction Tools AB, déclarons par la présente que les machines énumérées ci-dessous sont conformes aux dispositions de la directive européenne 2006/42/CE (directive « Machines »), et des normes harmonisées mentionnées ci-dessous.

Perforateur	No de référence	Pmax (bar)
RH 571-5L	8311 0301 29	7
RH 571-5LS	8311 0301 37	7
RH 572E	8311 0301 78	7
RH 658L	8311 0302 86	7
RH 658LS	8311 0302 87	7

Représentant agréé de la documentation technique :

Erik Sigfridsson
Atlas Copco Construction Tools AB
Dragonvägen 2
Kalmar

Directeur général :

Erik Sigfridsson

Fabricant :

Atlas Copco Construction Tools AB
105 23 Stockholm
Sweden

Lieu et date :

Kalmar, 2010-01-01

DEUTSCH

Inhalt

Einleitung.....	53
Informationen zu den Sicherheitshinweisen und der Betriebsanleitung.....	53
Sicherheitshinweise.....	54
Sicherheits-Signalworte.....	54
Personliche Vorsichtsmaßnahmen und Qualifikationen.....	54
Schutzausrüstung.....	54
Drogen, Alkohol oder Medikamente.....	54
Installation, Vorsichtsmaßnahmen.....	54
Betrieb, Vorsichtsmaßnahmen.....	55
Wartung, Vorsichtsmaßnahmen.....	60
Lagerung, Vorsichtsmaßnahmen.....	60
Übersicht.....	61
Konstruktion und Funktion.....	61
Arbeitsprinzip eines Bohrhammers.....	61
Kontrollventilmechanismus.....	61
Rotationsmechanismus.....	61
Spülung.....	61
Hauptkomponenten.....	61
Etiketten.....	62
Typenschild.....	62
Sicherheitsschild.....	62
Einbau.....	62
Auspacken des Bohrhammers.....	62
Kunststoffabdeckungen.....	62
Montage.....	63
Schmieren.....	63
Schläuche und Anschlüsse.....	63
Methoden zur Vermeidung von Einfrieren.....	63
Anschließen eines Wasserabscheiders.....	63
Schmieren.....	64
Druckeinstellung.....	64
Luftdruck.....	64
Den richtigen Luftdruck einstellen.....	64
Bohrstahl.....	64
Vor dem Einsetzen des Bohrstahls.....	64
Einsetzen des Bohrstahls.....	64
Entnehmen des Bohrstahls.....	65
Betrieb.....	66
Vorbereitungen vor der Inbetriebnahme.....	66
Prüfen der Bohrausrüstung.....	66
Ausblasen des Luftschlauchs.....	66
Schmiervorrichtung mit Öl füllen.....	66
Bedienelemente.....	66
Drosselhebel.....	66
Start und Stopp.....	67
Starten des Bohrhammers.....	67
Anhalten des Bohrhammers.....	67
Betrieb.....	67
Bohren.....	67
Einlegen von Pausen.....	67

Wartung	67
Unterschiede zwischen Originalersatzteilen und baugleichen Ersatzteilen	68
Täglich	68
Prüfen auf Abnutzung	69
Regelmäßige Wartung	69
Anziehdrehmoment	69
Schadensmuster	69
Lagerung	70
Entsorgung	70
Technische Daten	71
Maschinendaten	71
Angaben zu Geräuschemission und Vibration	71
Daten zu Geräuschemission und Vibration	72
Zubehör	72
EG-Konformitätserklärung	73
EG-Konformitätserklärung (EG-Richtlinie 2006/42/EG)	73

Einleitung

Wir danken Ihnen für die Wahl eines Produkts von Atlas Copco! Seit 1873 sind wir bestrebt, die Wünsche und den Bedarf unserer Kunden optimal zu decken. Unsere innovativen und ergonomischen Produktlösungen dienen der Kostensenkung und somit der besseren Rentabilität der Unternehmenstätigkeit des Kunden.

Atlas Copco verfügt mit seinen Kundenzentren und Vertragshändlern weltweit über ein umfangreiches Vertriebs- und Servicenetz. Unsere Fachleute sind Spezialisten mit umfassenden Produktkenntnissen und Anwendungserfahrungen. Wir bieten unseren Kunden Service und Know-how in allen Teilen der Welt, um optimale Betriebseffizienz zu gewährleisten.

Besuchen Sie gern unsere Website für weitere Informationen:

www.atlascopco.com

Atlas Copco Construction Tools AB

105 23 Stockholm

Sweden

Informationen zu den Sicherheitshinweisen und der Betriebsanleitung

Ziel dieser Anleitung ist es, Sie mit der sicheren und effizienten Bedienung des Bohrhammers vertraut zu machen. Die Anleitung enthält auch Hinweise zur Durchführung regelmäßiger Wartungsarbeiten am Bohrhammer.

Lesen Sie bitte diese Anleitung vor der ersten Benutzung des Bohrhammers genau durch.

Sicherheitshinweise

Lesen Sie bitte vor Installation, Betrieb, Reparatur und Wartung der Maschine bzw. vor dem Wechsel von Zubehör die Sicherheitshinweise und die Betriebsanleitung sorgfältig durch, um Unfallrisiken, die mit ernsthaften Verletzungen oder Lebensgefahr verbunden sein können, zu vermeiden.

Schlagen Sie diese Sicherheitshinweise und Betriebsanleitung am Arbeitsplatz an. Verteilen Sie Kopien an die Mitarbeiter. Stellen Sie sicher, dass jeder Mitarbeiter vor dem Betrieb der Maschine oder vor Wartungsarbeiten diese Sicherheitshinweise und Betriebsanleitung liest.

Darüber hinaus sollten der Bediener oder der Arbeitgeber des Bedieners die spezifischen Risiken bewerten, die bei jeder Anwendung dieser Maschine bestehen.

Sicherheits-Signalworte

Die Sicherheits-Signalworte Gefahr, Warnung und Achtung haben folgende Bedeutung:

GEFAHR	Hinweis auf eine Gefahrensituation, die bei Nichtbeachtung zu schweren oder lebensgefährlichen Unfällen führt.
WARNUNG	Hinweis auf eine Gefahrensituation, die bei Nichtbeachtung zu schweren oder lebensgefährlichen Unfällen führen kann.
ACHTUNG	Hinweis auf eine Gefahrensituation, die bei Nichtbeachtung zu geringen oder leichten Verletzungen führen kann.

Personliche Vorsichtsmaßnahmen und Qualifikationen

Die Maschine darf nur von qualifiziertem und geschultem Personal bedient oder gewartet werden. Dieses muss physisch in der Lage sein, mit Größe, Gewicht und Leistung der Maschine umzugehen. Verlassen Sie sich immer auf Ihren gesunden Menschenverstand.

Schutzausrüstung

Verwenden Sie stets geeignete Schutzausrüstung! Von Mitarbeitern und anderen Personen im Arbeitsbereich ist mindestens folgende Schutzausrüstung zu tragen:

- Schutzhelm
- Gehörschutz
- Schutzbrille (mit seitlicher Abschirmung der Augen)
- Atemmaske (bei Bedarf)
- Schutzhandschuhe
- Geeignete Sicherheitsschuhe
- Geeigneter Arbeitsanzug oder ähnliche (eng anliegende) Kleidung, die Arme und Beine bedeckt.

Drogen, Alkohol oder Medikamente

▲ **WARNUNG** Drogen, Alkohol oder Medikamente

Drogen, Alkohol oder Medikamente können Ihre Urteilskraft und Konzentrationsfähigkeit einschränken. Schlechte Reaktionsfähigkeit und Fehleinschätzungen können zu schweren Verletzungen führen.

- ▶ Bedienen Sie die Maschine niemals, wenn Sie müde sind oder unter dem Einfluss von Drogen, Alkohol oder Medikamenten stehen.
- ▶ Personen, die unter dem Einfluss von Drogen, Alkohol oder Medikamenten stehen, dürfen die Maschine nicht bedienen.

Installation, Vorsichtsmaßnahmen

▲ **GEFAHR** Ausschlagender Druckluftschlauch

Ein Druckluftschlauch, der sich gelöst hat, kann ausschlagen und lebensgefährliche Verletzungen verursachen. Zur Verhütung dieses Unfallrisikos ist Folgendes zu beachten:

- ▶ Stellen Sie sicher, dass Druckluftschlauch und Anschlüsse unbeschädigt sind, und ersetzen Sie diese gegebenenfalls.
- ▶ Stellen Sie sicher, dass sämtliche Druckluftanschlüsse korrekt befestigt sind.
- ▶ Tragen Sie eine Druckluftmaschine niemals am Druckluftschlauch.

- ▶ Ein unter Druck stehender Druckluftschlauch darf unter keinen Umständen abgebaut oder demontiert werden. Schalten Sie zuerst die Druckluft am Kompressor aus und lassen Sie die Maschine durch Betätigen des Start- und Stoppschalters auslaufen.
- ▶ Richte einen Druckluftschlauch nie auf eine andere Person oder den eigenen Körper! Um Verletzungen zu vermeiden, darf Druckluft niemals zum Sauberblasen von Kleidung oder auf ähnliche Weise zweckentfremdet werden.
- ▶ Verwenden Sie an der Werkzeugaufnahme keine Schnellkupplungen. Verwenden Sie Schlaucharmaturen mit Gewinde und aus gehärtetem Stahl (oder aus Material mit vergleichbarer Stoßfestigkeit).
- ▶ Bei Verwendung von Universaldrehkupplungen (Klauenkupplungen) empfehlen wir die Installation von Sicherungsstiften und Sicherungskabeln (die das Umherschlagen von Druckschläuchen verhindern), um den erforderlichen Schutz zu gewährleisten, falls eine Verbindung von Werkzeug zu Schlauch oder von Schlauch zu Schlauch versagt.

▲ **WARNUNG Lösen des Werkzeugs**

Wenn die Werkzeugaufnahme nicht arretiert ist, kann das Werkzeug mit Gewalt ausgeworfen werden. Dies kann zu ernsthaften Verletzungen führen.

- ▶ Starten Sie die Maschine niemals während des Werkzeugwechsels.
- ▶ Schalten Sie vor dem Wechseln von Werkzeug oder Zubehör immer die Energieversorgung aus, und lassen Sie die Maschine durch Betätigen des Start- und Stoppschalters auslaufen.
- ▶ Richten Sie das Werkzeug nie auf eine andere Person oder den eigenen Körper!
- ▶ Stellen Sie sicher, dass das Werkzeug vollständig eingesetzt ist und die Werkzeugaufnahme arretiert ist, bevor Sie die Maschine einschalten.
- ▶ Prüfen Sie die Arretierung, indem Sie kräftig und ruckartig am Werkzeug ziehen.

▲ **WARNUNG Bewegen / Herausrutschen des Werkzeugs**

Eine falsche Werkzeugschaftgröße kann dazu führen, dass das eingesetzte Werkzeug während des Betriebs herausrutscht. Hierbei besteht die Gefahr von schweren Verletzungen, z. B. Brüche von Händen und Fingern.

- ▶ Stellen Sie sicher, dass das Werkzeug die für die Maschine passende Größe und Schaftlänge besitzt.
- ▶ Verwenden Sie niemals Werkzeuge ohne Bund.

Betrieb, Vorsichtsmaßnahmen

▲ **GEFAHR Explosionsgefahr**

Wenn ein heißes Werkzeug mit Explosivstoffen in Kontakt kommt, kann es zu einer Explosion kommen. Bei der Arbeit mit bzw. der Verwendung von bestimmten Materialien können Funken auftreten und Explosionen verursachen. Explosionen können zu ernsthaften Verletzungen oder zum Tod führen.

- ▶ Die Maschine nie in einer explosiven Umgebung betreiben.
- ▶ Verwenden Sie die Maschine niemals in der Nähe von entzündlichen Materialien, Dämpfen oder Staub.
- ▶ Stellen Sie sicher, dass keine verborgenen Gasquellen oder Explosivstoffe vorhanden sind.
- ▶ Bohren Sie niemals in einem alten Bohrloch.

▲ **WARNUNG Unerwartete Bewegungen**

Das Werkzeug wird während des Betriebs der Maschine stark beansprucht. Das Werkzeug kann nach Ablauf der Lebensdauer aufgrund von Werkstoffermüdung brechen. Wenn das Werkzeug bricht oder verklemmt, kann die Maschine plötzliche und unerwartete Bewegungen ausführen, die Verletzungen verursachen können. Außerdem kann es zu Verletzungen kommen, wenn Sie das Gleichgewicht verlieren oder ausrutschen.

- ▶ Stellen Sie sicher, dass Sie immer eine stabile Standposition einnehmen. Verteilen Sie dazu Ihr Körpergewicht auf beide Füße, die schulterbreit auseinanderstehen.
- ▶ Prüfen Sie die Ausrüstung vor jeder Anwendung. Bei Schadensverdacht darf die Ausrüstung auf keinen Fall verwendet werden.
- ▶ Stellen Sie sicher, dass die Griffe sauber und frei von Fett oder Öl sind.
- ▶ Halten Sie Ihre Füße vom Werkzeug fern.
- ▶ Stehen Sie sicher und halten Sie die Maschine mit beiden Händen fest.
- ▶ Bohren Sie niemals in einem alten Bohrloch.
- ▶ Starten Sie niemals die Maschine, wenn sie auf dem Boden liegt.
- ▶ „Reiten“ Sie niemals mit einem Bein über dem Griff auf der Maschine.
- ▶ Gehen Sie mit der Ausrüstung sorgsam um.
- ▶ Prüfen Sie das Werkzeug regelmäßig auf Abnutzung, Beschädigungen oder sichtbare Risse.
- ▶ Achten Sie während des Betriebs auf ungewöhnliche Vorgänge.

▲ WARNUNG Gefahr durch Blockieren

Wenn das Werkzeug während des Betriebs blockiert und Sie die Maschine nicht mit ausreichender Kraft festhalten, fängt die ganze Maschine an, sich zu drehen. Dieses unerwartete Drehen der gesamten Maschine kann zu schweren Verletzungen oder zum Tod führen.

- ▶ Stehen Sie sicher und halten Sie die Maschine immer mit beiden Händen fest.
- ▶ Stellen Sie sicher, dass der Griff/die Griffe sauber und frei von Fett oder Öl sind.
- ▶ Bohren Sie niemals in einem alten Bohrloch.

▲ WARNUNG Gefahr durch Erfassen von Kleidung

Es besteht die Gefahr, dass Schals, Halstücher, Haare und Handschuhe in rotierendes Einsteckwerkzeug oder Zubehör eingerollt oder eingezogen werden. Dies kann zu ernsthaften bzw. tödlichen Verletzungen durch Erwürgen, Skalpiereien oder Aufschlitzen führen. Zur Verhütung dieses Unfallrisikos ist Folgendes zu beachten:

- ▶ Versuchen Sie niemals, einen rotierenden Bohrstaht zu berühren oder anzufassen.
- ▶ Tragen Sie keine Kleidung (z. B. Halstücher usw.), die erfasst werden kann.
- ▶ Decken Sie lange Haare mit einem Haarnetz ab.

▲ WARNUNG Gefahren durch Abgase und Staub

Staub und/oder Abgase, die beim Betrieb der Maschine erzeugt oder freigesetzt werden, können zu ernsthaften und chronischen Atemwegserkrankungen oder zu körperlichen Beeinträchtigungen führen (z. B. zu Silikose, ernsthaften chronischen Lungenerkrankungen, Krebs, Erbkrankheiten und/oder Hautentzündungen). Einige Staubsorten und Abgase, die beim Bohren, Aufbrechen, Hämmern, Sägen, Schleifen oder anderen Bautätigkeiten freigesetzt werden, enthalten chemische Elemente, die Atemwegserkrankungen, Krebs oder Erbkrankheiten auslösen. Dazu gehören z. B.:

- Steinstaub, Zement und andere Baustoffe.
- Arsen und Chrom aus chemisch behandeltem Gummi.
- Blei aus bleihaltigen Farben.

In der Luft vorhandene Abgase und Staub können für das bloße Auge unsichtbar sein. Verlassen Sie sich daher nicht auf eine lediglich optische Kontrolle, ob Abgase und Staub in der Luft vorhanden sind.

Um die Gefahren durch Abgase und Staub zu vermindern, befolgen Sie folgende Anweisungen:

- ▶ Führen Sie eine auf den jeweiligen Arbeitsplatz bezogene Risikoanalyse durch. Die Risikoanalyse sollte die von der Maschine freigesetzten Abgase und Staub sowie ein mögliches Aufwirbeln von vorhandenem Staub berücksichtigen.
- ▶ Verwenden Sie geeignete technische Hilfsmittel zur Minimierung von Abgasen und Staub in der Luft sowie auf der Oberfläche von Ausrüstung, Kleidung und Körperteilen. Zu solchen Hilfsmitteln gehören z. B.: Absaugungen und Staubsammelsysteme, Sprühwasseranlagen und Nassbohren. Begrenzen Sie Staub und Abgase möglichst an deren Entstehungsquelle. Stellen Sie sicher, dass diese Hilfsmittel korrekt installiert, gewartet und angewendet werden.
- ▶ Tragen Sie stets geeignete sowie korrekt angewendete und gewartete Atemmasken, entsprechend den Anweisungen des Arbeitgebers sowie entsprechend den betrieblichen Gesundheits- und Sicherheitsbestimmungen. Die Atemmaske muss für die jeweilige Substanz geeignet (und möglichst von der zuständigen staatlichen Behörde genehmigt) sein.
- ▶ Arbeiten Sie in einem gut belüfteten Bereich.
- ▶ Verfügt die Maschine über ein Abgasrohr, richten Sie dieses so aus, dass die Staubaufwirbelungen in staubigen Umgebungen möglichst gering sind.

- ▶ Betrieb und Wartung der Maschine sind entsprechend den Sicherheitshinweisen und der Betriebsanleitung durchzuführen.
- ▶ Auswahl, Wartung und Austausch von Verbrauchsmaterialien/ Werkzeugen/ anderem Zubehör sind entsprechend den Sicherheitshinweisen und der Betriebsanleitung durchzuführen. Die falsche Wahl oder ungenügende Wartung von Verbrauchsmaterialien/ Werkzeugen/ anderem Zubehör kann die Freisetzung von Staub und Abgasen erhöhen.
- ▶ Tragen Sie am Arbeitsplatz abwaschbare oder Einwegschutzkleidung; Duschen Sie oder wechseln Sie die Kleidung vor dem Verlassen des Arbeitsplatzes, um Ihre eigene Belastung durch Staub und Abgase und die anderer Personen bzw. von Autos, Heimstätten und anderer Bereiche so gering wie möglich zu halten.
- ▶ Vermeiden Sie das Essen, Trinken oder Rauchen in Bereichen, in denen eine Belastung durch Staub und Abgase vorhanden ist.
- ▶ Waschen Sie umgehend nach dem Verlassen des Belastungsbereichs sowie stets vor dem Essen, Trinken, Rauchen oder dem Kontakt mit anderen Personen Ihre Hände und Ihr Gesicht.
- ▶ Beachten Sie alle relevanten Gesetze und Vorschriften sowie die betrieblichen Gesundheits- und Sicherheitsbestimmungen.
- ▶ Nehmen Sie entsprechend den betrieblichen Gesundheits- und Sicherheitsbestimmung an Schulungen zur Luftreinhaltung, medizinischen Prüfungen und Gesundheits- und Sicherheitsprogrammen teil, wenn diese von Ihrem Arbeitgeber oder von den Berufsverbänden angeboten werden. Konsultieren Sie Ärzte, die auf Arbeitsmedizin spezialisiert sind.
- ▶ Arbeiten Sie mit Ihrem Arbeitgeber und Berufsverband zusammen, um die Gefahren durch Abgase und Staub am Arbeitsplatz zu vermindern. Effektive Gesundheits- und Sicherheitsprogramme, -regelungen und -verfahren zum Schutz von Mitarbeitern und anderen Personen vor gefährlichen Stäuben und Abgasen sollten entsprechend dem Rat von Gesundheits- und Sicherheitsexperten erstellt und implementiert werden. Lassen Sie sich von Experten beraten.

▲ **WARNUNG Fliegende Splitter**

Fehler des Werkstücks, des Zubehörs oder der Maschine selbst können mit hoher Geschwindigkeit fliegende Splitter erzeugen. Beim Arbeiten können Splitter oder andere Partikel des bearbeiteten Materials zu Geschossen werden und ernsthafte Verletzungen verursachen, wenn Sie den Maschinenbenutzer oder andere Personen treffen. Zur Verhütung dieses Unfallrisikos ist Folgendes zu beachten:

- ▶ Tragen Sie immer geeignete Schutzausrüstung und einen Schutzhelm, einschließlich einer Schutzbrille mit seitlicher Abschirmung der Augen.
- ▶ Stellen Sie sicher, dass Unbefugte den Arbeitsbereich nicht betreten können.
- ▶ Der Arbeitsplatz ist sauber und aufgeräumt zu hinterlassen.
- ▶ Stellen Sie sicher, dass das Werkstück wirklich fest sitzt.

▲ **WARNUNG Gefahren durch Splitter**

Wird das Werkzeug als Handschlagwerkzeug zweckentfremdet, kann dies zu Verletzungen durch Splitter führen.

- ▶ Verwenden Sie ein Werkzeug niemals als Handschlagwerkzeug. Die Werkzeuge sind speziell konstruiert und thermisch behandelt und dürfen nur in einer Maschine verwendet werden.

▲ **WARNUNG Gefahren durch Ausrutschen, Stolpern und Hinfallen**

Es besteht die Gefahr, auszurutschen, zu stolpern oder hinzufallen, z. B. Stolpern über Schläuche oder andere Gegenstände. Ausrutschen, Stolpern oder Hinfallen kann zu Verletzungen führen. Zur Verhütung dieses Unfallrisikos ist Folgendes zu beachten:

- ▶ Stellen Sie stets sicher, dass Ihnen oder anderen Personen keine Schläuche oder andere Objekte in Weg sind.
- ▶ Stellen Sie sicher, dass Sie immer eine stabile Standposition einnehmen. Verteilen Sie dazu Ihr Körpergewicht auf beide Füße, die schulterbreit auseinander stehen.

▲ WARNUNG Gefahren durch Bewegung

Bei Verwendung der Maschine für arbeitsbezogene Tätigkeiten, können Beschwerden an Händen, Armen, Schultern, am Nacken oder an anderen Körperteilen auftreten.

- ▶ Nehmen Sie eine bequeme Körperhaltung und eine sichere Standposition ein. Vermeiden Sie unsichere, unausgeglichene oder ungeschickte Haltungen.
- ▶ Bei längeren Tätigkeiten kann das Wechseln der Körperposition das Auftreten von Beschwerden und Ermüdungserscheinungen vermeiden helfen.
- ▶ Nehmen Sie bei anhaltenden oder wiederkehrenden Symptomen professionelle medizinische Hilfe in Anspruch.

▲ WARNUNG Gefahren durch Vibration

Der Anwender ist auch bei normaler und richtiger Anwendung der Maschine Vibrationen ausgesetzt. Häufige und regelmäßige Vibrationsbelastungen können zu Verletzungen der Finger, Hände, Handgelenke, Arme, Schultern und/oder der Nerven- oder Blutbahnen oder anderer Körperteile führen oder andere Körperteile führen oder bestehende Schädigungen verschlimmern. Es können chronische Beschwerden oder Schwächungen entstehen, die sich nur allmählich über Zeiträume von Wochen, Monaten oder Jahren entwickeln. Dazu kann eine Schädigung oder Störung des Blutkreislaufs, des Nervensystems, des Bewegungsapparats oder anderer Körperstrukturen gehören.

Falls während oder nach der Benutzung der Maschine andauernde Beschwerden, wie Taubheit, Brennen, Steifheit, Klopfen, Kribbeln, Schmerzen, eingeschränkte Feinmotorik oder Greiffunktion, weißliche Hautverfärbungen oder andere Symptome auftreten, stellen Sie die Arbeit ein, benachrichtigen Sie Ihren Arbeitgeber und begeben Sie sich in medizinische Betreuung. Wenn Sie nach dem Auftreten der genannten Beschwerden die Arbeit an der Maschine fortsetzen, kann das zu einer Verschlimmerung der Beschwerden oder zu chronischen Erkrankungen führen.

Betrieb und Wartung der Maschine sind entsprechend dieser Anleitung durchzuführen, um unnötig starke Vibrationen zu vermeiden.

Die folgenden Hinweise können dazu beitragen, die Vibrationsbelastung für den Anwender gering zu halten:

- ▶ Lassen Sie das Werkzeug die Arbeit verrichten. Wenden Sie zum Festhalten der Maschine nur soviel Kraft auf, wie für deren einwandfreie Steuerbarkeit und sicheren Betrieb mindestens erforderlich ist.
- ▶ Verfügt die Maschine über vibrationsdämpfende Griffe, halten Sie diese in einer zentralen Position, d. h. vermeiden die Griffe bis zum Anschlag nach unten zu drücken.
- ▶ Bei laufendem Schlagmechanismus dürfen Sie keinen anderen Körperkontakt mit der Maschine haben als die Hände am Griff oder an den Griffen. Vermeiden Sie jeden anderen Kontakt, z. B. Anlehnen irgendeines Körperteils an die Maschine, um die Vorschubkraft zu erhöhen. Wichtig ist auch, beim Zurückziehen des Werkzeugs aus der aufgebrochenen Bearbeitungsfläche den Start- und Stoppschalter nicht gedrückt zu halten.

- ▶ Stellen Sie sicher, dass das eingesetzte Werkzeug gut gewartet und nicht abgenutzt ist (einschl. der Schärfe, wenn es sich um ein Schneidwerkzeug handelt) und die richtige Größe hat. Werkzeuge, die nicht gut gewartet oder abgenutzt sind oder die falsche Größe haben, bewirken längere Bearbeitungszeiten und damit auch längere und höhere Vibrationsbelastungen.
- ▶ Stellen Sie sofort die Arbeit ein, wenn die Maschine plötzlich stark zu vibrieren anfängt. Ermitteln und beseitigen Sie die Ursache der verstärkten Vibrationen, bevor Sie die Arbeit fortsetzen.
- ▶ Fassen Sie während des Betriebs der Maschine niemals das Werkzeug an bzw. halten Sie es niemals fest.
- ▶ Nehmen Sie an medizinischen Untersuchungen und Kontrollen teil, wenn diese von Ihrem Arbeitgeber angeboten werden oder gesetzlich vorgeschrieben sind.
- ▶ Tragen Sie beim Arbeiten in kalter Umgebung warme Kleidung, und halten Sie Ihre Hände warm und trocken.

Lesen Sie die für diese Maschine geltenden „Angaben zu Geräuschemission und Vibration“ einschließlich der angegebenen Vibrationswerte. Diese Informationen befinden sich am Ende dieser Sicherheitshinweise und Betriebsanleitung.

- ◆ Halten Sie den für den Betrieb der Maschine empfohlenen Luftdruck ein. Höherer oder niedrigerer Luftdruck als der empfohlene kann zu stärkeren Vibrationen führen.

▲ GEFAHR Gefahren durch elektrischen Strom

Die Maschine ist nicht elektrisch isoliert. Wenn die Maschine mit Elektrizität in Kontakt kommt, kann dies zu ernsthaften Verletzungen oder zum Tod führen.

- ▶ Betreiben Sie die Maschine niemals in der Nähe von elektrischen Leitungen oder anderen Stromquellen.
- ▶ Stellen Sie sicher, dass innerhalb des Arbeitsbereichs keine verborgenen elektrischen Quellen vorhanden sind.

▲ WARNUNG Gefahren durch verborgenen Objekte

Beim Arbeiten stellen verborgene Leitungen und Rohre eine Gefahr dar, die zu ernsthaften Verletzungen führen kann.

- ▶ Prüfen Sie vor Beginn der Arbeiten die Zusammensetzung des Materials.
- ▶ Achten Sie auf verborgene Kabel und Leitungen, z. B. Elektro-, Telefon-, Wasser-, Gas- und Abwasserleitungen.
- ▶ Wenn Sie glauben, dass das Werkzeug ein verborgenes Objekt getroffen hat, schalten Sie die Maschine sofort aus.
- ▶ Stellen Sie sicher, dass keine Gefahr besteht, bevor Sie fortfahren.

▲ WARNUNG Unbeabsichtigter Start

Unbeabsichtigtes Starten der Maschine kann zu Verletzungen führen.

- ▶ Halten Sie Ihre Hände so lange vom Start- und Stoppschalter fern, bis Sie zum Starten der Maschine bereit sind.
- ▶ Machen Sie sich damit vertraut, wie die Maschine im Notfall ausgeschaltet wird.
- ▶ Lassen Sie bei jeglicher Unterbrechung der Energieversorgung sofort den Start- und Stoppschalter los.
- ▶ Schalten Sie bei jedem Einsetzen/Entfernen des Werkzeugs die Luftzufuhr ab, lassen Sie die Maschine durch Betätigen des Start- und Stoppschalters auslaufen, und trennen Sie die Maschine von der Energieversorgung.

▲ WARNUNG Hörverlust

Hohe Schallpegel können zu bleibendem Hörverlust und anderen Problemen wie Tinnitus (Klingel-, Summ-, Brumm- oder Pfeifgeräusche in den Ohren) führen. Zur Verringerung dieser Gefahren und zur Vermeidung von unnötig hohen Schallpegeln ist Folgendes zu beachten:

- ▶ Eine Risikoanalyse dieser Gefahren und eine Implementierung geeigneter Kontrollmaßnahmen werden dringend empfohlen.
- ▶ Betrieb und Wartung der Maschine sind entsprechend dieser Anleitung durchzuführen.
- ▶ Auswahl, Wartung und Austausch des Werkzeugs sind entsprechend dieser Anleitung durchzuführen.
- ▶ Verfügt die Maschine über einen Schalldämpfer, stellen Sie sicher, dass dieser angebracht und in einwandfreiem Zustand ist.
- ▶ Tragen Sie stets einen Gehörschutz.
- ▶ Verwenden Sie dämpfende Materialien, um das „Klingeln“ von Werkstücken zu vermeiden.

Wartung, Vorsichtsmaßnahmen

▲ **WARNUNG** Änderungen an der Maschine

Änderungen an der Maschine können zu schweren Unfällen führen.

- ▶ Nehmen Sie niemals Änderungen an der Maschine vor. Bei modifizierten Maschinen entfallen Garantie und Produkthaftung.
- ▶ Verwenden Sie stets Originalteile, Originalwerkzeuge und Originalzubehör von Atlas Copco.
- ▶ Wechseln Sie beschädigte Bauteile sofort aus.
- ▶ Ersetzen Sie verschlissene Komponenten rechtzeitig.

▲ **VORSICHT** Heißes Werkzeug

Die Spitze des Werkzeugs kann während des Betriebs sehr heiß und scharf werden. Das Berühren der Spitze kann zu Verbrennungen und Schnittverletzungen führen.

- ▶ Berühren Sie niemals ein heißes oder scharfes Werkzeug.
- ▶ Warten Sie mit eventuellen Wartungsarbeiten bis sich das Werkzeug abgekühlt hat.

▲ **WARNUNG** Gefahren durch Werkzeuge

Sofern die Energieversorgung noch angeschlossen ist, kann ein unbeabsichtigtes Betätigen des Start- und Stoppschalters während Wartungs- oder Installationstätigkeiten zu ernsthaften Verletzungen führen.

- ▶ Prüfen, säubern, installieren oder entfernen Sie niemals das Werkzeug bei noch angeschlossener Energieversorgung.

Lagerung, Vorsichtsmaßnahmen

- ◆ Lagern Sie die Maschine und die Werkzeuge in einer sicheren, abgeschlossenen Umgebung und für Kinder unzugänglich.

Übersicht

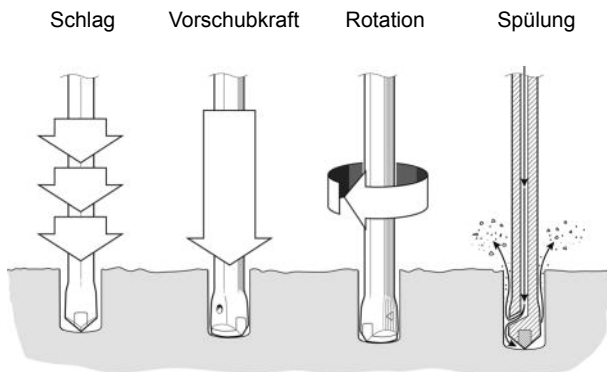
Lesen Sie bitte vor dem Betrieb der Maschine die Sicherheitshinweise auf den vorangegangenen Seiten dieses Handbuchs, um Unfallrisiken, die mit ernsthaften Verletzungen oder Lebensgefahr verbunden sein können, zu vermeiden.

Konstruktion und Funktion

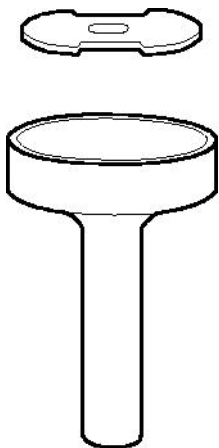
RH 571, RH 572 und RH 658 sind Druckluftbohrhämmer, die für vertikales Bohren, Dübellochbohren und Bohren in Beton für Bau- und Bergbauanwendungen ausgelegt sind. Andere Anwendungen sind nicht zulässig.

Kontaktieren Sie hinsichtlich der Wahl des richtigen Einsteckwerkzeugs Ihren örtlichen Atlas Copco-Händler.

Arbeitsprinzip eines Bohrhammers

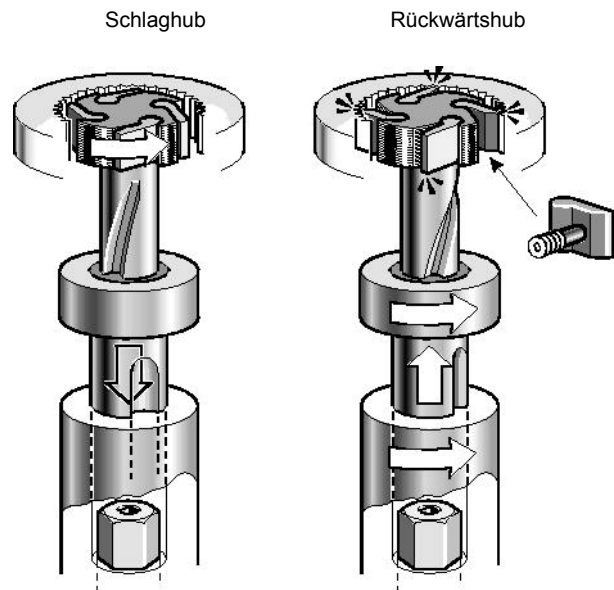


Kontrollventilmechanismus



Das Ventil leitet den Luftstrom abwechselnd zur Ober- oder Unterseite des Kolbens, so dass dieser sich auf und ab bewegt. Der Kolben überträgt die Energie über den Bohrstahl auf den Grund des Bohrlochs.

Rotationsmechanismus

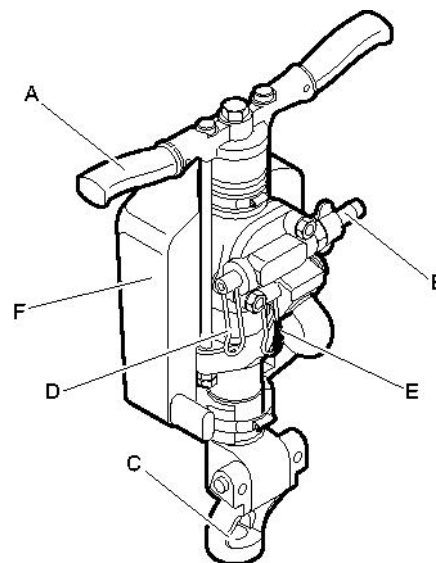


Der Bohrstahl wird bei jedem Schlag der Sperrachsen-Rotation etwas gedreht. Die Rotation läuft gegen den Uhrzeigersinn und wird durch den Rückschlag des Kolbens angetrieben.

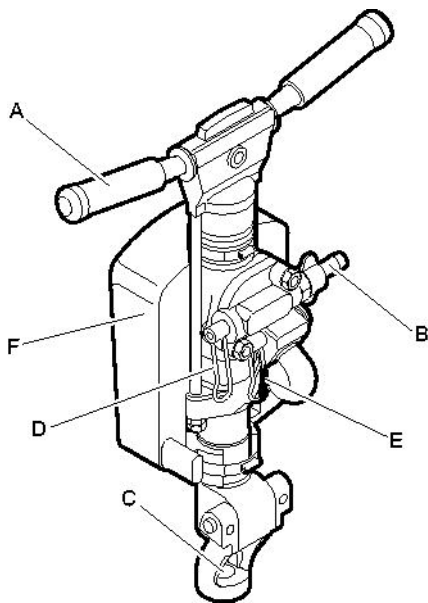
Spülung

Die Spülung wird durch eine Öffnung im Kolben geleitet. Damit steht Spülluft zur Verfügung, sobald die Druckluft eingeschaltet wird.

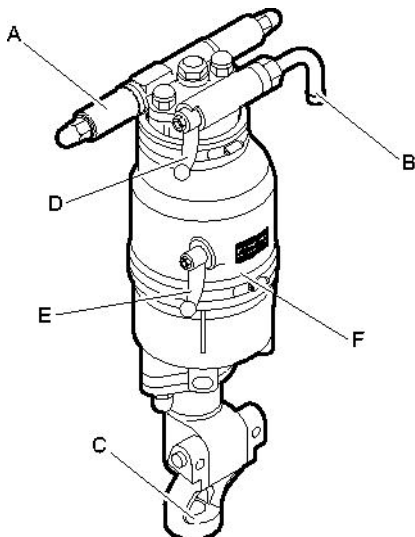
Hauptkomponenten



RH 571-5L/LS



RH 572E



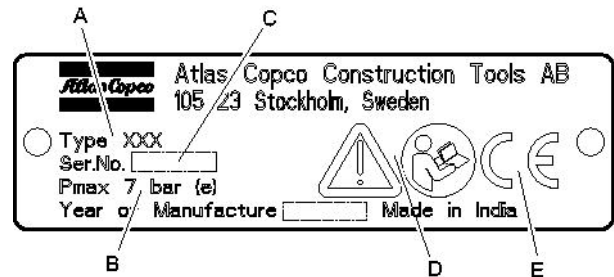
RH 658L/LS

- A. Griff
- B. Lufteinlassnippel
- C. Bohrstahlaufnahme
- D. Drosselhebel
- E. Hebel für zusätzliches Ausblasen
- F. Schalldämpfer (optional)

Etiketten

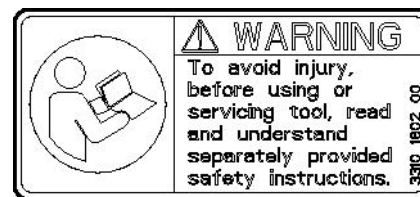
An der Maschine sind Etiketten mit wichtigen Informationen zu Sicherheit und Wartung angebracht. Die Etiketten müssen stets gut lesbar sein. Neue Etiketten können anhand der Ersatzteilliste bestellt werden.

Typenschild



- A. Maschinentyp
- B. Max. zulässiger Druckluftdruck
- C. Seriennummer
- D. Das Warnsymbol und das Buchsymbol weisen darauf hin, dass Sie vor dem ersten Einsatz der Maschine die Sicherheitshinweise und die Betriebsanleitung lesen müssen.
- E. Das CE-Zeichen zeigt an, dass die Maschine EG-geprüft ist. Weitere Informationen dazu finden Sie in der beigelegten EG-Konformitätserklärung. Fehlt das CE-Zeichen, bedeutet dies, dass die Maschine nicht EG-geprüft ist.

Sicherheitsschild



Lesen Sie vor Benutzung und Wartung des Werkzeugs die separat mitgelieferten Sicherheitshinweise sorgfältig durch, um Verletzungen zu vermeiden.

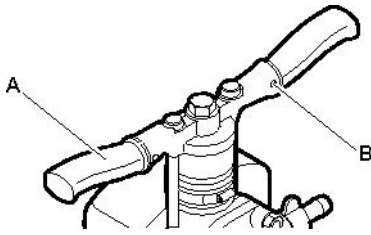
Einbau

Auspacken des Bohrhammers

Kunststoffabdeckungen

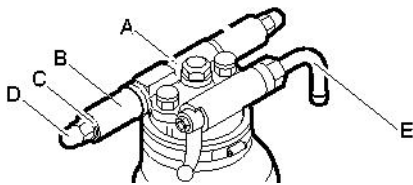
Entfernen Sie vor dem ersten Einsatz des Bohrhammers alle Kunststoffabdeckungen an den Schlauchnippeln, Entlüftungsöffnungen und am Bohrfutter.

Montage



RH 571-5L/LS

- 1) Drücken Sie die Hülsen und Griffe (A) an jeder Seite der Kopfrückseite fest.
- 2) Sichern Sie die Griffe durch Einrasten der Federstifte (B) in der Kopfrückseite.



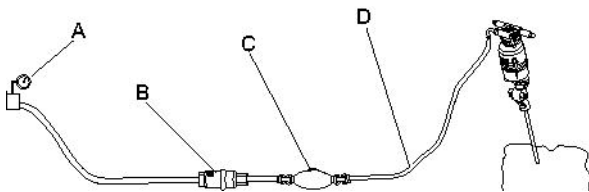
RH 658L/LS

- 1) Schrauben Sie die Griffschraube (A) in die Kopfrückseite.
- 2) Ordnen Sie die Griffe (B) auf jeder Seite der Griffschraube an.
- 3) Sichern Sie die Griffe auf beiden Seiten mit einer Unterlegscheibe (C) und einer Hutmutter (D).
- 4) Schrauben Sie den Schlauchnippel (E) in den Lufteinlass, und ziehen Sie ihn fest.

Schmieren

Füllen Sie nach dem Auspacken und der Installation des Werkzeugs reichlich Schmieröl in den Luftanschluss.

Schläuche und Anschlüsse



- A. Druckluftquelle
- B. Wasserabscheider (optional)
- C. Schmievorrichtung (optional)
- D. Max. 3 m Druckluftschlauch zwischen Schmievorrichtung und Maschine.

- ◆ Stellen Sie sicher, dass Sie den richtigen Luftdruck (6 Bar) eingestellt haben.
- ◆ Der für die Maschine zulässige maximale Luftdruck von 7 Bar darf nicht überschritten werden.
- ◆ Blasen Sie alle Verunreinigungen aus dem Druckluftschlauch aus, bevor Sie die Maschine anschließen.
- ◆ Wählen Sie für den Druckluftschlauch den richtigen Durchmesser und die passende Länge aus. Für Schlauchlängen bis 30 m sollte ein Innendurchmesser von mindestens 19 mm (3/4") verwendet werden. Für Schlauchlängen von 30 m bis 100 m sollte ein Innendurchmesser von mindestens 25 mm (1") verwendet werden.

Methoden zur Vermeidung von Einfrieren

Bei Umgebungstemperaturen von 0 bis 10 °C (32 bis 50 °F) und hoher relativer Luftfeuchtigkeit kann sich im Schalldämpfer Eis bilden.

Die Maschine ist so konstruiert, dass eine Eisbildung im Schalldämpfer vermieden wird. Dennoch kann sich unter extremen Bedingungen im Schalldämpfer Eis bilden.

Eine weitere Verringerung des Risikos für Eisbildung wird durch folgende Maßnahmen erreicht:

- ◆ Verwenden Sie als Schmiermittel Rock Drill AIR-OIL von Atlas Copco.
- ◆ Verwenden Sie den Wasserabscheider VAM 5A.

Falls der Bohrhämmer vereist ist, darf er zum Auftauen niemals erhitzt werden, sondern muss immer bei Raumtemperatur abgetaut werden.

Gießen Sie niemals Spiritus oder ähnliche Substanzen in den Bohrhämmer, da der Spiritus die Schmierung beeinträchtigt und zu erhöhtem Verschleiß führt.

Anschließen eines Wasserabscheiders

Der Schlauch zwischen Kompressor und Wasserabscheider muss so lang sein, dass der Wasserdampf abkühlt und kondensiert, bevor er den Wasserabscheider erreicht.

Wenn die Umgebungstemperatur unter 0 °C (32 °F) liegt, muss der Schlauch kurz genug sein, damit das Wasser im Schlauch nicht gefriert, bevor es den Wasserabscheider erreicht.

Schmierer

Der Bohrhämmer wird mit einem Gemisch aus Druckluft und Öl geschmiert, das zu den Teilen geleitet wird, die ständige Schmierung benötigen. Das Öl wird der Druckluft über eine Schmiervorrichtung Atlas Copco BLG 30 an der Druckluftleitung beigemischt.

Verwenden Sie Atlas Copco Rock Drill AIR-OIL, das speziell für Druckluftbohrhämmer der Serien BBC, BBD und RH entwickelt wurde. Rock Drill AIR-OIL ist leicht biologisch abbaubar gemäß OECD 301 und verfügt über eine hohe Scherfestigkeit des Schmierfilms für hohe Belastungen. Wenn Rock Drill AIR-OIL nicht verfügbar ist, verwenden Sie ein Mineralöl mit den in der Tabelle unten empfohlenen Eigenschaften.

Temperaturbereich (°C)	Viskosität (ISO 3448)
-30 bis 0	ISO VG 32-68
-10 bis +20	ISO VG 68-100
+10 bis +50	ISO VG 100-150

Druckeinstellung

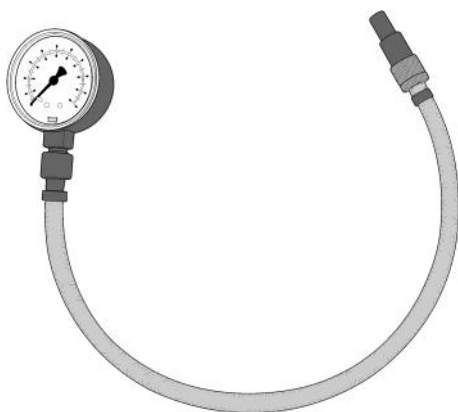
Luftdruck

Stellen Sie sicher, dass der Kompressor den erforderlichen Luftdruck von 4–6 bar am Werkzeug erzeugen kann.

1. Zu hoher Druck verursacht einen harten Lauf und übermäßigen Verschleiß.
2. Zu niedriger Luftdruck führt zu einer geringen Bohrgeschwindigkeit.

Den richtigen Luftdruck einstellen

Verwenden Sie zum Messen des Luftdrucks während des Betriebs des Bohrhammers das Manometer Atlas Copco-Nr. **9090 0550 80**. Der Druck sollte nahe dem Einlassnippel gemessen werden. Der maximal zulässige Arbeitsdruck beträgt 6 Bar.



Das Manometer verfügt über eine Nadel, die in den Schlauch gedrückt wird, um den Druck im Innern zu messen.

Bohrstahl

▲ **WARNUNG Auswurf des Werkzeugs**

Wenn die Werkzeugaufnahme nicht arretiert ist, kann das Werkzeug mit Gewalt ausgeworfen werden. Dies kann zu ernsthaften Verletzungen führen.

- Schalten Sie vor dem Wechseln des Werkzeugs immer die Druckluftversorgung aus und lassen Sie die Maschine durch Betätigen des Start- und Stoppschalters auslaufen.

Vor dem Einsetzen des Bohrstahls

Prüfen Sie, dass das Einsteckende des Werkzeugs die korrekte Größe und Länge für das verwendete Bohrfutter aufweist. Das Einsteckende muss sauber und das Werkzeug muss in einwandfreiem Zustand sein. Einsteckenden, die angeschlagen, abgerundet, nicht rechtwinklig oder zu hart auf der Schlagseite sind, arbeiten ineffizient und verursachen vorzeitige Kolbendefekte.

Kontrolle des Bohrstahls:

Ein stumpfer Bohrstahl reduziert die Bohrgeschwindigkeit und überlastet den Bohrmechanismus. Beim Wechseln des Bohrstahls sicherstellen, dass der neue die korrekte Größe hat, wenn Sie ein angefangenes Bohrloch weiterbearbeiten.

Stellen Sie vor dem Bohren sicher, dass das Spülloch des Bohrstahls nicht blockiert ist.

▲ **VORSICHT Heißes Werkzeug**

Die Spitze des Werkzeugs kann während des Betriebs sehr heiß und scharf werden. Das Berühren der Spitze kann zu Verbrennungen und Schnittverletzungen führen.

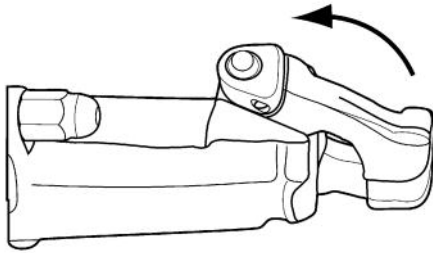
- Berühren Sie niemals ein heißes oder scharfes Werkzeug.
- Warten Sie mit eventuellen Wartungsarbeiten bis sich das Werkzeug abgekühlt hat.

HINWEIS Kühlen Sie ein heißes Werkzeug niemals in Wasser ab. Dies könnte zur Versprödung des Werkzeugs und zu dessen vorzeitigem Ausfall führen.

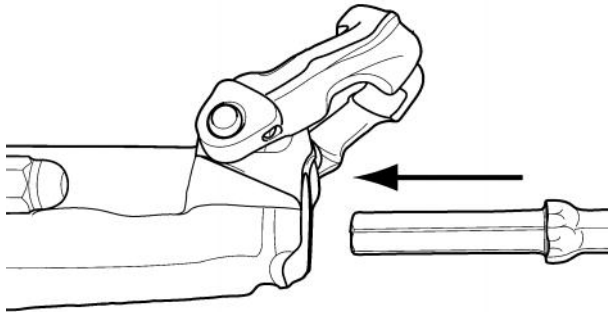
Einsetzen des Bohrstahls

Bei jedem Einsetzen des Bohrstahls müssen die folgenden Anweisungen beachtet werden:

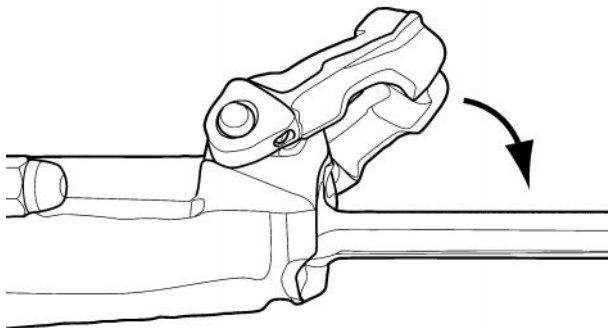
1. Drücken Sie die Werkzeughalterung nach außen in Pfeilrichtung, bis der vordere Teil der Aufnahme die Bohrstahlmanschette aufnehmen kann.



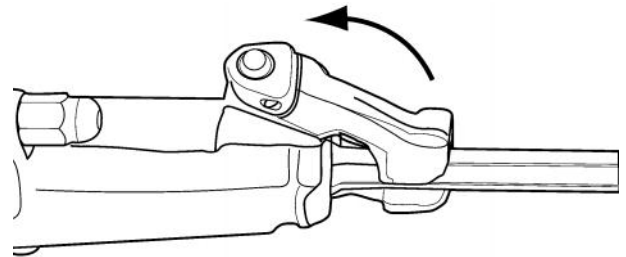
2. Setzen Sie den Bohrstahl in das Bohrfutter ein.



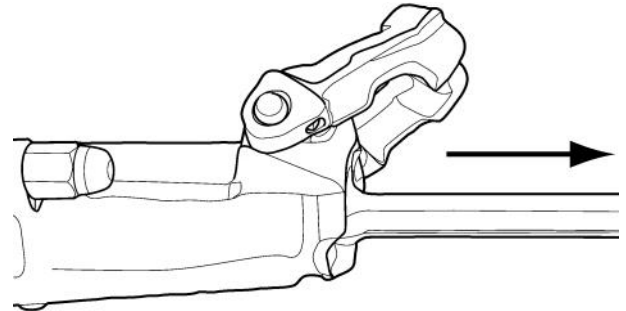
3. Wenn der Bohrer den Anschlag berührt, drücken Sie den Werkzeughalter zum Verriegeln zurück.



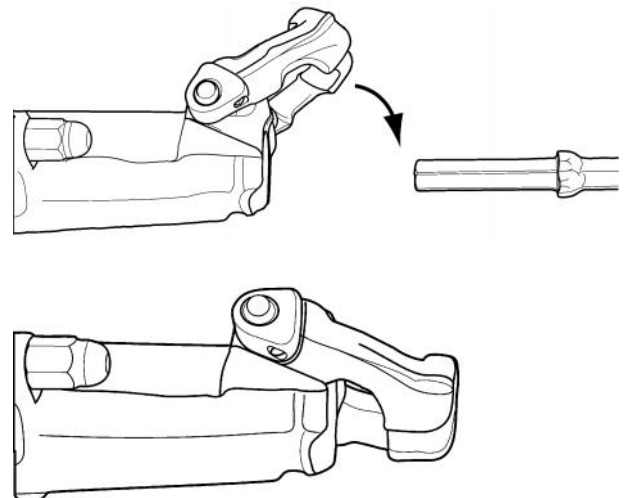
1. Drücken Sie den Werkzeughalter nach außen in Pfeilrichtung, bis sich die Bohrstahlmanschette vom vorderen Ende des Halters löst.



2. Ziehen Sie den Bohrstahl heraus.



3. Drücken Sie den Werkzeughalter zurück.



Entnehmen des Bohrstahls

Bei jedem Entnehmen des Bohrstahls müssen die folgenden Anweisungen beachtet werden:

Betrieb

▲ **WARNUNG** Unbeabsichtigter Start

Unbeabsichtigtes Starten der Maschine kann zu Verletzungen führen.

- ▶ Halten Sie Ihre Hände so lange vom Start- und Stoppschalter fern, bis Sie zum Starten der Maschine bereit sind.
- ▶ Machen Sie sich damit vertraut, wie die Maschine im Notfall ausgeschaltet wird.
- ▶ Stoppen Sie die Maschine bei jeglicher Unterbrechung der Energieversorgung.

Vorbereitungen vor der Inbetriebnahme

Prüfen der Bohrausrüstung

- ◆ Stellen Sie sicher, dass die gesamte Bohrausrüstung in einwandfreiem Zustand ist.
- ◆ Prüfen Sie, ob die Arbeitsfläche des Bohrstahl-Einsteckendes glatt und frei von Verschleißspuren ist.
- ◆ Stellen Sie sicher, dass die Luftzufuhr und der Luftauslass frei von Fremdkörpern sind.
- ◆ Stellen Sie sicher, dass die Spülöffnungen im Bohrstahl und in der Bohrspitze nicht blockiert sind und dass Spülluft und -wasser ungehindert fließen können.
- ◆ Stellen Sie sicher, dass der Luftfilter (befindet sich im Luftnippel) nicht gerissen oder verdreht ist.
- ◆ Stellen Sie sicher, dass die Anschlüsse dicht sind.

▲ **GEFAHR** Ausschlagender Druckluftschlauch

Ein Druckluftschlauch, der sich gelöst hat, kann ausschlagen und lebensgefährliche Verletzungen verursachen.

- ▶ Stellen Sie sicher, dass Druckluftschlauch und Anschlüsse unbeschädigt sind.
- ▶ Stellen Sie sicher, dass sämtliche Druckluftanschlüsse korrekt befestigt sind.

Ausblasen des Luftschlauchs

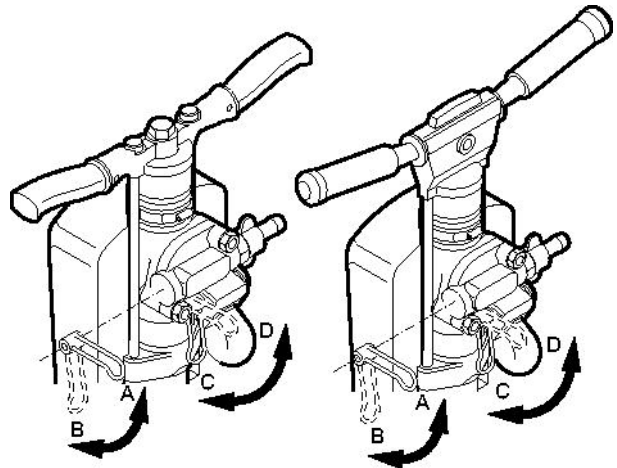
- ◆ Der Luftschlauch muss täglich vor dem Einsatz des Bohrhammers ausgeblasen werden, um von angesammelten Verunreinigungen und Feuchtigkeit befreit zu werden.

Schmiervorrichtung mit Öl füllen

- ◆ Stellen Sie sicher, dass das Spannfutter und der Bohrstahlschaft immer mit einem Ölfilm bedeckt sind.

Bedienelemente

Drosselhebel

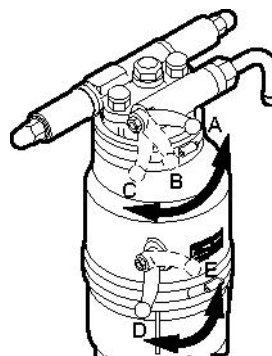


RH 571-5L/LS

RH 572E

Der Bohrhammer ist zur Regulierung der Druckluft für den Schlagmechanismus mit einem Drosselhebel und mit einem Hebel für zusätzliches Ausblasen ausgerüstet.

- A. Drosselventil geschlossen (Stopp-Position)
- B. Drosselhebel vollständig geöffnet
- C. Gebläseventil geschlossen (Stopp-Position)
- D. Gebläseventil vollständig geöffnet



RH 658L/LS

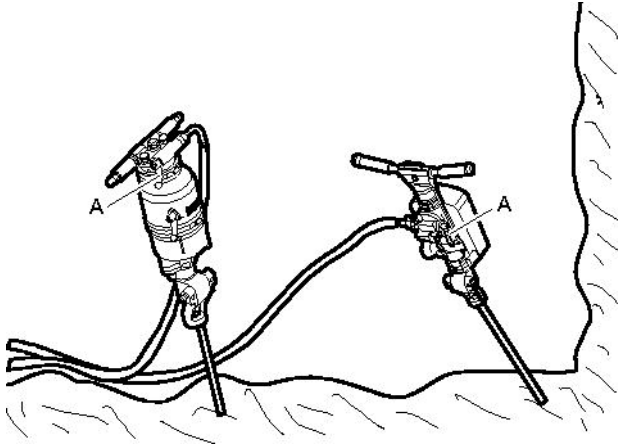
Der Bohrhammer ist zur Regulierung der Druckluft für den Schlagmechanismus mit einem Drosselhebel und mit einem Hebel für zusätzliches Ausblasen ausgerüstet.

- A. Drosselventil geschlossen (Stopp-Position)
- B. Drosselhebel halb geöffnet
- C. Drosselhebel vollständig geöffnet

- D. Gebläseventil geschlossen (Stopp-Position)
- E. Gebläseventil vollständig geöffnet

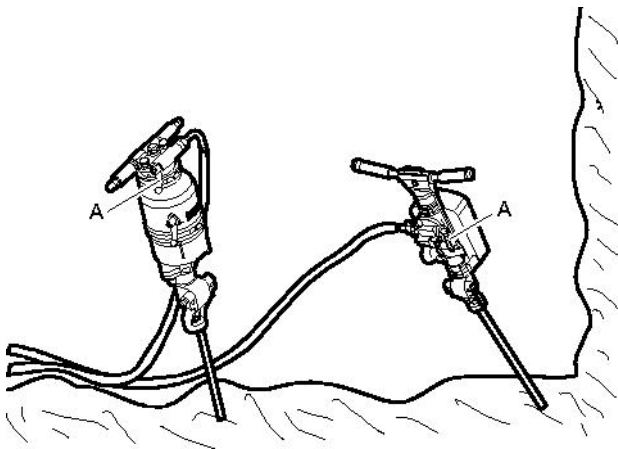
Start und Stopp

Starten des Bohrhammers



1. Öffnen Sie das Hauptventil für die Druckluft.
2. Halten Sie den Bohrhammer so, dass der Bohrstahl den gewünschten Ansatzpunkt berührt.
3. Schieben Sie den Drosselhebel (A) etwas nach vorn – Schlagmechanismus und Rotation setzen ein.
4. Beginnen Sie die Bohrung mit verringerter Vorschubkraft.
5. Schieben Sie den Drosselhebel (A) ganz nach vorn, wenn der Bohrstahl ausreichend Führung im Gestein erlangt hat.

Anhalten des Bohrhammers



1. Schieben Sie den Drosselhebel (A) zurück – Schlagmechanismus und Rotation halten an.

Betrieb

Bohren

- ◆ Tragen Sie stets Sicherheitsschuhe, Handschuhe, einen Helm, Gehörschutz und eine Schutzbrille mit seitlicher Abschirmung der Augen.
- ◆ Stehen Sie sicher und halten Sie die Maschine immer mit beiden Händen fest.
- ◆ Drücken Sie das Einsteckwerkzeug vor dem Start der Maschine auf die Oberfläche des zu bearbeitenden Objekts.

Einlegen von Pausen

- ◆ Bringen Sie die Maschine während jeder Pause außer Reichweite, so dass ein unbeabsichtigtes Starten der Maschine ausgeschlossen ist. Stellen Sie die Maschine stets so auf dem Boden ab, dass sie nicht umfallen kann.
- ◆ Bei längeren Pausen oder beim Verlassen des Arbeitsplatzes: Schalten Sie die Energieversorgung aus, und lassen Sie die Maschine durch Betätigen des Start- und Stoppschalters auslaufen.

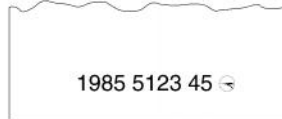
Wartung

Eine regelmäßige Wartung ist die Grundvoraussetzung für den Erhalt der Sicherheit und Effektivität der Maschine. Halten Sie sich bitte genau an die Wartungsanweisungen.

- ◆ Säubern Sie die Maschine vor dem Start, um gefährliche Substanzen fernzuhalten. Siehe „Gefahren durch Abgase und Staub“
- ◆ Verwenden Sie ausschließlich Originalbauteile. Schäden oder Fehlfunktionen, die durch den Einsatz unzulässiger Bauteile entstehen, werden nicht durch Garantie oder Produkthaftung abgedeckt.
- ◆ Stellen Sie beim Reinigen mechanischer Teile mit Lösungsmittel sicher, dass die geltenden Gesundheits- und Sicherheitsvorschriften eingehalten werden und für ausreichende Lüftung gesorgt ist.
- ◆ Für eine Hauptdurchsicht der Maschine wenden Sie sich an Ihre nächste Vertragswerkstatt.
- ◆ Prüfen Sie nach jeder Wartung, ob die Vibrationsstärke der Maschine normal ist. Ist dies nicht der Fall, wenden Sie sich an Ihre nächste Vertragswerkstatt.

Unterschiede zwischen Originalersatzteilen und baugleichen Ersatzteilen

Stellen Sie beim Kauf von Ersatzteilen zunächst fest, ob es sich um ein Originalersatzteil von Atlas Copco handelt. Ersatzteile können meistens identifiziert werden.



Bohrhammerbauteile von Atlas Copco sind normalerweise mit einer Artikelnummer und dem Atlas Copco-Logo, ein Kreis mit einem Bohrhammer, gekennzeichnet. In seltenen Fällen sind Bauteile nur mit dem Logo oder der Artikelnummer gekennzeichnet.

Bauteile aus Gummi oder Kunststoff sind in der Regel nicht gekennzeichnet.

Bei kopierten Konkurrenzprodukten sind oft nur die größeren, teuren Ersatzteile gekennzeichnet. Einige Teile haben nur eine Artikelnummer, andere haben auch ein Herstellerlogo, z. B. Initialen. In diesen Fällen sind die Artikelnummern oft von Hand geprägt und sehen unregelmäßig aus. Von Atlas Copco geprägte Artikelnummern sind regelmäßig und alle Zeichen haben die gleiche Größe. Ebenso fallen Prägertiefe und Zwischenabstände der Zeichen gleichmäßig aus.

Täglich

Schalten Sie bei pneumatischen Maschinen vor jeder Wartung oder jedem Wechsel des Werkzeugs stets die Luftversorgung aus und entlüften Sie die Maschine durch Betätigen des Start- und Stoppschalters. Trennen Sie anschließend den Luftschlauch von der Maschine.

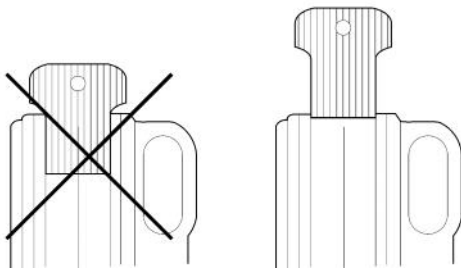
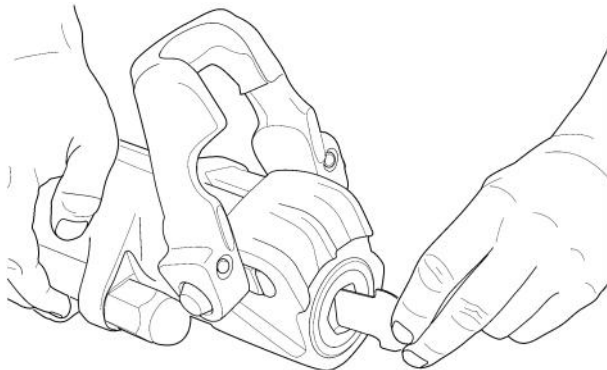
- ◆ Säubern und prüfen Sie die Maschine auf ihre Funktionsfähigkeit täglich vor Arbeitsbeginn.
- ◆ Führen Sie eine allgemeine Prüfung auf Undichtigkeiten und Beschädigungen durch.
- ◆ Stellen Sie sicher, dass der Einlassnippel festgezogen und die Klauenkupplung nicht beschädigt ist.

- ◆ Prüfen Sie die Funktion des Drosselhebels. Stellen Sie sicher, dass dieser sich frei nach oben und unten bewegen lässt.
- ◆ Prüfen Sie die Funktion der Aufnahme. Stellen Sie sicher, dass der Bohrstahl in der Aufnahme arretiert ist.
- ◆ Wechseln Sie beschädigte Bauteile sofort aus.
- ◆ Ersetzen Sie verschlissene Komponenten rechtzeitig.
- ◆ Prüfen Sie die durchgehenden Bolzen der Maschine, und stellen Sie sicher, dass diese fest angezogen sind.
- ◆ Prüfen Sie den Schalldämpfer der Maschine (sofern vorhanden).

Prüfen auf Abnutzung

1. Prüfen Sie den Verschleiß der Spannfutteraufnahme mithilfe der Lehre Atlas Copco-Nr. **(3091 0038 00)** (22 mm).

Wenn die Verschleißgrenze überschritten ist, nutzt sich das Einsteckende des Bohrstahts schneller ab oder verformt sich. Dies führt zu Betriebsunterbrechungen und zu einem erhöhten Verbrauch von Bohrstaht.

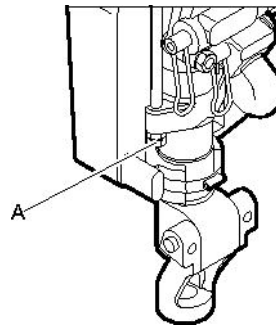


2. Prüfen Sie Schläuche, Kupplungen und Steuerelemente auf Undichtigkeiten und Beschädigungen.
3. Stellen Sie sicher, dass der Bohrhammer ausreichend geschmiert ist. Füllen Sie die Schmiervorrichtung bei Bedarf auf.
4. Leeren Sie den Wasserabscheider.

Regelmäßige Wartung

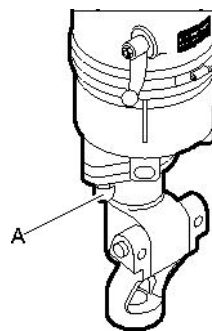
Nach etwa 100 Betriebsstunden oder dreimal pro Jahr muss die Maschine zerlegt und alle Teile gereinigt und geprüft werden. Diese Arbeit muss von speziell hierfür geschultem Personal durchgeführt werden.

Anziehdrehmoment



RH 571-5L/LS, RH 572E

- A. Mutter für Seitenschraube, 90 Nm (66 ft.lbf)



RH 658L/LS

- A. Mutter für Seitenschraube, 125 Nm (92 ft.lbf)

Schadensmuster

Verschlossene oder gebrochene Bauteile sollten vor dem Auswechseln stets genau untersucht werden. Sie können wichtige Hinweise über den Zustand des Bohrhammers und die Art und Weise seiner Benutzung und Wartung geben.

Problem	Ursache
Stahlteile sind bläulich verfärbt	Die Teile sind extrem heiß geworden. Dies kann an unzureichender Schmierung oder zu wenig Leerlauf liegen
Stahlteile weisen kleine, fast mikroskopische Risse an der Verschleißoberfläche auf	Siehe oben
unregelmäßige Vertiefungen auf Bronzeoberflächen	Siehe oben
Schnittspuren	Sekundärer Schaden Verunreinigungen im Bohrer
	Fluchtungsfehler aufgrund ungleichmäßig angezogener Seitenbolzen

Lagerung

- Ölen Sie den Bohrhämmer vor dem Einlagern immer gut ein.
- Lagern Sie die Maschine immer an einem sauberen und trockenen Ort.
- Stellen Sie sicher, dass keine Fremdkörper in die Maschine gelangen.
- Verwenden Sie zum Schutz des Bohrfutters die mit der Maschine gelieferte Kunststoffabdeckung. Alternativ eignet sich auch ein passendes Stück Holz oder ein sauberer Baumwollappen.
- Füllen Sie bei längerer Lagerung etwas Öl direkt in die Luftzufuhr des Bohrhammers ein und schalten Sie kurz die Druckluft ein. Dadurch ist die Maschine vor Rost geschützt.

Entsorgung

Eine verschlissene Maschine muss so entsorgt werden, dass so viel Material wie möglich wiederverwendet werden kann und die Umwelt in Übereinstimmung mit den örtlichen Regelungen so wenig wie möglich belastet wird.

Technische Daten

Maschinendaten

Modell	Teilenummer	Kolbenbohrung mm (in.)	Kolbenhub mm (in.)	Gesamtlänge mm (in.)	Gewicht kg (lb)	Schaftgröße mm (in.)
RH 571-5L	8311 0301 29	55 (2,16)	60 (2,36)	510 20	17,8 (39,2)	22 X 108 (7/8 x 4 1/4)
RH 571-5LS	8311 0301 37	55 (2,16)	60 (2,36)	510 20	18,9 (41,7)	22 X 108 (7/8 x 4 1/4)
RH 572E	8311 0301 78	55 (2,16)	60 (2,36)	583 23	22,8 (50,2)	22 X 108 (7/8 x 4 1/4)
RH 658L	8311 0302 86	65 (2,56)	59 (2,32)	565 22 1/4	24,0 (52,9)	22 X 108 (7/8 x 4 1/4)
RH 658LS	8311 0302 87	65 (2,56)	59 (2,32)	565 22 1/4	25,0 (55,1)	22 X 108 (7/8 x 4 1/4)

Modell	Luftdurchsatz (6 bar) l/s (foot ³ /min)	Schlagfrequenz (6 bar) Hz	Bohrlochdurchmesser mm (in.)
RH 571-5L	39 (83)	35	28-34 (1,10-1,34)
RH 571-5LS	39 (83)	33	28-34 (1,10-1,34)
RH 572E	37 (78)	34	28-34 (1,10-1,34)
RH 658L	58 (123)	34	29-40 (1,14-1,57)
RH 658LS	58 (123)	34	29-40 (1,14-1,57)

Angaben zu Geräuschemission und Vibration

Garantierter Schalleistungspegel **L_w** gemäß EN ISO 3744 in Übereinstimmung mit der Richtlinie 2000/14/EG. Schalldruckpegel **L_p** gemäß ISO 11203.

Vibrationswert **A** und Unsicherheit **B**, ermittelt gemäß ISO20643. Die Werte A, B usw. sind in der Tabelle „Angaben zu Geräuschemission und Vibration“ enthalten.

Die angegebenen Werte wurden durch Bauartprüfung im Labor entsprechend den angegebenen Richtlinien bzw. Normen ermittelt und eignen sich nur für den Vergleich mit den angegebenen Werten anderer Werkzeuge, die entsprechend den gleichen Richtlinien bzw. Normen ermittelt wurden. Die angegebenen Werte eignen sich nicht zur Verwendung in Risikoanalysen, denn die in individuellen Arbeitsumgebungen gemessenen Werte können höher sein. Die tatsächliche Belastung und das Verletzungsrisiko für den einzelnen Anwender hängen jeweils von der Arbeitsweise des Anwenders, vom bearbeiteten Material, von der Belastungsdauer, von der physischen Kondition des Anwenders und vom Zustand der Maschine ab.

Atlas Copco Construction Tools AB haftet nicht für Folgen, falls die genannten Werte anstelle der Werte verwendet werden, die der tatsächlichen Belastung entsprechen, hervorgehend aus einer individuellen Risikoanalyse in einer Arbeitsplatzsituation, die wir nicht beeinflussen können.

Diese Maschine kann das Hand-Arm Vibrationssyndrom auslösen, wenn sie nicht angemessen bedient wird. Eine EU-Richtlinie zum Umgang mit Hand-Arm-Vibrationen ist über <http://www.humanvibration.com/EU/VIBGUIDE.htm> abrufbar.

Wir empfehlen ein Gesundheitsüberwachungsprogramm zur Erkennung auch erster Symptome, die möglicherweise auf eine Vibrationsbelastung zurückzuführen sind, so dass betriebliche Maßnahmen zur Vorbeugung jeglicher Beeinträchtigungen ergriffen werden können.

Daten zu Geräuschemission und Vibration

Modell	Geräuschemission		Vibration	
	Angegebene Werte		Angegebene Werte	
	Schalldruck	Schalleistung	Dreiaachsenwerte	
	ISO 11203	2000/14/EG	ISO 20643	
	Lp r=1m dB(A) bei 20 µPa	Lw garantiert dB(A) bei 1 pW	A m/s ² Wert	B m/s ² Verteilung
RH 571-5L	106	119	23,2	2,8
RH 571-5LS	99	112	23,2	2,8
RH 572E	100	113	9,7	1,9
RH 658L	106	116	21,2	2,6
RH 658LS	99	112	21,2	2,6

Zubehör

Beschreibung	Anmerkung	Anzahl	Teilenummer
CLG 30, Europäischer Typ	Sowohl für Mineralöl als auch für synthetisches Öl	1	8202 5102 39
BLG 30, Europäischer Typ	Für Mineralöl	1	8202 5102 05
VAM 01, Europäischer Typ	Luftstrom <50 l/s (106 ft ³ /min)	1	8092 0110 58
VAM 5A, Europäischer Typ	Luftstrom <120 l/s (254 ft ³ /min)	1	8092 0110 82
Gummischlauch, vormontiert	20 mm (¾")	1	9030 2047 00
X-LITE Flachschauch, universal	20 mm (¾")	1	9030 2115 00
Rock Drill AIR-OIL	4 l	1	8099 0201 04
Rock Drill AIR-OIL	10 l	1	8099 0201 10

EG-Konformitätserklärung

EG-Konformitätserklärung (EG-Richtlinie 2006/42/EG)

Wir, die Atlas Copco Construction Tools AB, erklären hiermit, dass die nachfolgend aufgelisteten Maschinen die Bestimmungen der EG-Richtlinien 2006/42/EG (Maschinenrichtlinie) sowie die nachfolgend genannten harmonisierten Normen erfüllen.

Bohrhämmer	Teilenummer	Pmax [bar]
RH 571-5L	8311 0301 29	7
RH 571-5LS	8311 0301 37	7
RH 572E	8311 0301 78	7
RH 658L	8311 0302 86	7
RH 658LS	8311 0302 87	7

Bevollmächtigter für die technische Dokumentation:

Erik Sigfridsson
Atlas Copco Constructions Tools AB
Dragonvägen 2
Kalmar

Geschäftsführer:

Erik Sigfridsson

Hersteller:

Atlas Copco Constructions Tools AB
105 23 Stockholm
Sweden

Ort und Datum:

Kalmar, 2010-01-01

ESPAÑOL

Contenido

Introducción.....	77
Acerca de las instrucciones de seguridad y de funcionamiento.....	77
Instrucciones de seguridad.....	78
Terminología de las señales de seguridad.....	78
Precauciones y cualificaciones del personal.....	78
Equipo de protección personal.....	78
Drogas, alcohol y medicación.....	78
Instalación, precauciones.....	78
Funcionamiento, precauciones.....	79
Mantenimiento, precauciones.....	84
Almacenaje, precauciones.....	84
Visión general.....	85
Diseño y funcionamiento.....	85
Principio de funcionamiento de una perforadora.....	85
Mecanismo de la válvula de control.....	85
Mecanismo de rotación.....	85
Barrido.....	85
Piezas principales.....	85
Etiquetas.....	86
Placa de datos.....	86
Etiqueta de seguridad.....	86
Montaje.....	86
Desempaquetado de la perforadora.....	86
Protecciones de plástico.....	86
Montaje.....	87
Lubricación.....	87
Mangueras y conexiones.....	87
Métodos para evitar la congelación.....	87
Conexión de un separador de agua.....	87
Lubricación.....	88
Ajuste de presión.....	88
Presión del aire.....	88
Calibre la presión del aire correcta.....	88
Barrena de perforación.....	88
Antes de insertar la barrena de perforación.....	88
Inserción de la barrena de perforación.....	88
Desmontaje de la barrena de perforación.....	89
Funcionamiento.....	90
Preparaciones antes de la puesta en marcha.....	90
Control del equipo de perforación.....	90
Purga de la manguera de aire.....	90
Llenado de aceite del lubricador.....	90
Controles.....	90
Palanca de control.....	90
Puesta en marcha y parada.....	91
Puesta en marcha de la perforadora.....	91
Detención de la perforadora.....	91
En funcionamiento.....	91
Perforación.....	91
En los descansos.....	91

Mantenimiento	91
Diferencias entre las piezas originales y otras piezas	92
A diario	92
Comprobación del desgaste	93
Mantenimiento periódico	93
Par de apriete	93
Patrones de daños	93
Almacenaje	94
Desechar	94
Especificaciones técnicas	95
Datos de la máquina	95
Declaración de ruido y vibraciones	95
Datos de ruido y vibraciones	96
Accesorios	96
Declaración CE de conformidad	97
Declaración CE de conformidad (Directiva 2006/42/CE)	97

Introducción

Gracias por elegir un producto de Atlas Copco. Desde 1873, tenemos el compromiso de encontrar nuevas y mejores formas de satisfacer las necesidades de nuestros clientes. A lo largo de los años, hemos desarrollado diseños de productos innovadores y ergonómicos que han ayudado a mejorar y racionalizar el trabajo diario de nuestros clientes.

Atlas Copco cuenta con una sólida red de ventas y servicios a escala mundial formada por centros de atención al cliente y distribuidores repartidos por todo el mundo. Nuestros expertos son profesionales altamente cualificados que poseen amplios conocimientos sobre los productos y una gran experiencia con las aplicaciones. En todos los rincones del mundo ofrecemos asistencia al producto y nuestra experiencia para garantizar que nuestros clientes puedan trabajar siempre con la mayor eficiencia.

Para obtener más información, visite: www.atlascopco.com

Atlas Copco Construction Tools AB

105 23 Stockholm

Sweden

Acerca de las instrucciones de seguridad y de funcionamiento

El objetivo de estas instrucciones es proporcionarle los conocimientos necesarios para usar la perforadora de roca de manera eficiente y segura. Asimismo, las instrucciones le aconsejan sobre el modo de realizar el mantenimiento regular de la perforadora.

Antes de utilizarla por primera vez debe leer estas instrucciones con atención y entenderlas en su totalidad.

Instrucciones de seguridad

Para reducir el riesgo de que usted u otras personas padezcan lesiones graves o la muerte, lea las Instrucciones de seguridad y funcionamiento antes de instalar, usar, reparar o cambiar la máquina o de realizar su mantenimiento.

Exponga estas instrucciones de seguridad y funcionamiento en las zonas de trabajo, proporcione copias a los empleados y asegúrese de que todos las lean antes de utilizar o reparar la máquina.

Además, el operario o su empleador deberá evaluar los riesgos específicos que pueden surgir como resultado del uso de la máquina.

Terminología de las señales de seguridad

Los términos de seguridad Peligro, Atención y Cuidado tienen los siguientes significados:

PELIGRO	Indica una situación de peligro que, si no se evita, ocasionará la muerte o lesiones graves.
ATENCIÓN	Indica una situación de peligro que, si no se evita, podría ocasionar la muerte o lesiones graves.
CUIDADO	Indica una situación de peligro que, si no se evita, podría ocasionar lesiones menores o moderadas.

Precauciones y cualificaciones del personal

Sólo personas cualificadas y debidamente formadas pueden utilizar u ocuparse del mantenimiento de la máquina. Deben poder manejar físicamente el volumen, el peso y la potencia de la herramienta. Utilice siempre su sentido común y buen juicio.

Equipo de protección personal

Utilice siempre equipo de protección autorizado. Los operarios y el resto del personal del área de trabajo deben llevar, como mínimo, el siguiente equipo de protección:

- Casco de protección
- Protección auditiva
- Protección ocular resistente a los impactos con protección lateral
- Protección respiratoria, cuando sea necesario
- Guantes protectores
- Botas protectoras adecuadas

- Una bata de trabajo adecuada o prenda similar (no holgada) que cubra los brazos y las piernas.

Drogas, alcohol y medicación

▲ ADVERTENCIA Drogas, alcohol y medicación

Las drogas, el alcohol y la medicación pueden alterar la capacidad de juicio y el poder de concentración. Las malas reacciones y las valoraciones incorrectas pueden provocar accidentes graves o la muerte.

- ▶ Nunca utilice la máquina cuando esté cansado o bajo los efectos de drogas, alcohol o medicinas.
- ▶ Nadie que esté bajo los efectos de drogas, alcohol o medicinas podrá manejar la máquina.

Instalación, precauciones

▲ PELIGRO Manguera de aire suelta

Una manguera de aire comprimido suelta puede asestar latigazos y ocasionar lesiones o incluso la muerte. Para reducir este riesgo:

- ▶ Compruebe que la manguera de aire comprimido y las conexiones no estén dañadas y sustitúyalas si es necesario.
- ▶ Compruebe que todas las conexiones de aire comprimido estén debidamente conectadas.
- ▶ No arrastre nunca una máquina neumática por la manguera del aire.
- ▶ No intente nunca desconectar una manguera de aire comprimido que esté presurizada. En primer lugar, apague el suministro de aire comprimido del compresor y, a continuación, purgue la máquina activando el dispositivo de puesta en marcha y parada.
- ▶ No dirija nunca una manguera de aire comprimido hacia sí mismo ni a otras personas. Para evitar el riesgo de lesiones, no utilice nunca una manguera de aire comprimido para limpiar el polvo, la suciedad, etc. de la ropa.
- ▶ No utilice acoplamiento rápidos de desconexión en la entrada de la herramienta. Utilice fijaciones roscadas de la manguera de acero endurecido (o de otro material con una resistencia de choque similar).
- ▶ Siempre que se utilicen acoplamiento universales roscados (acoplamiento de garras), recomendamos que se coloquen pasadores de seguridad y se utilicen cables con válvula de seguridad para proteger la manguera ante posibles fallos de conexión de la manguera a la herramienta y entre mangueras.

▲ ADVERTENCIA Herramienta de inserción retirada

Si el retén de la herramienta de la máquina no está en una posición bloqueada, la herramienta insertada se podría retirar de forma forzosa, lo que podría causar lesiones personales.

- ▶ Nunca arranque la máquina mientras cambia la herramienta de inserción.
- ▶ Antes de cambiar la herramienta de inserción o los accesorios, pare la máquina, desconecte la alimentación y purgue la máquina activando el dispositivo de puesta en marcha y parada.
- ▶ Nunca dirija la herramienta insertada hacia usted ni hacia otras personas.
- ▶ Asegúrese de que la herramienta de inserción esté insertada completamente y que el retén de la herramienta esté en una posición bloqueada antes de arrancar la máquina.
- ▶ Compruebe la función de bloqueo tirando de la herramienta insertada hacia fuera con fuerza.

▲ ADVERTENCIA Movimiento o deslizamiento de la herramienta de inserción

Unas dimensiones incorrectas del vástago de la herramienta insertada pueden dar lugar a que ésta se pierda o resbale durante su uso. Riesgo de lesiones graves o de aplastamiento de manos y dedos.

- ▶ Compruebe que el vástago de la herramienta de inserción tenga la longitud y las dimensiones adecuadas para la máquina.
- ▶ Nunca utilice una herramienta de inserción sin un anillo.

Funcionamiento, precauciones**▲ PELIGRO Peligro de explosión**

Si una herramienta de inserción caliente entra en contacto con explosivos, se podría producir una explosión. Al trabajar con ciertos materiales y al utilizar determinados materiales en las piezas de la máquina, se pueden producir chispas y fuego. Las explosiones producirán lesiones graves o la muerte.

- ▶ Nunca utilice la máquina en un entorno explosivo.
- ▶ Nunca utilice la máquina cerca de materiales inflamables, humos o polvo.
- ▶ Asegúrese de que no haya fuentes de gas ni explosivos no detectados.
- ▶ Nunca perforo un barreno antiguo.

▲ ADVERTENCIA Movimientos inesperados

La herramienta insertada está expuesta a fuertes tensiones cuando se utiliza la máquina. Además puede romperse por fatiga después de un cierto volumen de uso. Si la herramienta insertada se rompe o se atasca, es posible que haya movimientos repentinos e inesperados que pueden producir lesiones. Por lo tanto, si el usuario pierde el equilibrio o se resbala, podría sufrir lesiones.

- ▶ Asegúrese de estar siempre en una posición estable con los pies separados a la misma distancia que la anchura de los hombros, y con el peso del cuerpo equilibrado.
- ▶ Inspeccione siempre el equipo antes de usarlo. No utilice el equipo si cree que puede estar dañado.
- ▶ Compruebe que las empuñaduras estén limpias y que no tengan grasa ni aceite.
- ▶ Mantenga los pies lejos de la herramienta insertada.
- ▶ Manténgase firmemente de pie y agarre siempre la máquina con ambas manos.
- ▶ Nunca perforo un barreno antiguo.
- ▶ Nunca arranque la máquina cuando esté en el suelo.
- ▶ Nunca "pise" en la máquina con un pie sobre la empuñadura.
- ▶ No golpee nunca ni maltrate el equipo.
- ▶ Compruebe regularmente el desgaste de la herramienta de inserción y compruebe si hay signos de daños o grietas visibles.
- ▶ Preste atención y fíjese en lo que está haciendo.

▲ ADVERTENCIA Peligro de calado

Si la herramienta de inserción se atasca durante el funcionamiento, toda la máquina empezará a girar si deja de sujetarla. Este giro inesperado de toda la máquina podría provocar lesiones graves o la muerte.

- ▶ Manténgase de pie firmemente y agarre siempre la máquina con ambas manos.
- ▶ Compruebe que la empuñadura o las empuñaduras estén limpias y no estén sucias de grasa o aceite.
- ▶ Nunca perforo un barreno antiguo.

▲ ADVERTENCIA Peligro de atrapamiento

Existe el riesgo de que algún adorno del cuello, pelo, guantes o prenda de ropa se vea arrastrado o atrapado por la herramienta de inserción giratoria o sus accesorios. Esto puede provocar el estrangulamiento, arrancamiento del cuero cabelludo, desgarros o incluso la muerte. Para reducir el riesgo:

- ▶ Nunca agarre ni toque una barrena de perforación que esté girando.
- ▶ Evite llevar prendas, adornos del cuello o guantes que puedan quedar atrapados.
- ▶ Si tiene el pelo largo, cúbralo con una red.

▲ ADVERTENCIA Peligros del polvo y del humo

El polvo y los humos que se generan o dispersan al usar la máquina pueden causar dolencias o enfermedades respiratorias graves y permanentes u otras lesiones corporales (por ejemplo, silicosis y otras enfermedades pulmonares irreversibles que pueden resultar mortales, cáncer, malformaciones congénitas e inflamación de la piel).

El polvo y los humos generados por la perforación, la rotura, el martilleo, el aserrado, el esmerilado y otras actividades de construcción pueden contener sustancias consideradas por el Estado de California y otras autoridades como causantes de enfermedades respiratorias, cáncer, malformaciones congénitas y otros daños reproductivos. Algunos ejemplos de estas sustancias son:

- Sílice cristalino, cemento y otros productos de albañilería.
- Arsénico y cromo procedente del caucho tratado con sustancias químicas.
- Plomo procedente de pinturas al plomo.

El polvo y los humos del aire pueden ser invisibles a simple vista, así que no confíe en su buena vista para determinar si hay polvo o humos en el aire.

Para reducir el riesgo de exposición al polvo y a los humos, haga todo lo siguiente:

- ▶ Realice una evaluación del riesgo específica del emplazamiento. La evaluación del riesgo debe incluir el polvo y los humos generados por el uso de la máquina y la posibilidad de alterar el polvo existente.
- ▶ Utilice controles de ingeniería adecuados para minimizar la cantidad de polvo y humos presentes en el aire y para minimizar la acumulación de polvo sobre el equipo, las superficies, la ropa y las partes del cuerpo. Algunos ejemplos de controles son: sistemas de ventilación y captación de polvo, rociadores de agua y perforaciones con inyección de agua. Controle el polvo y los humos en el origen cuando sea posible. Asegúrese de que los controles se instalen, conserven y utilicen adecuadamente.
- ▶ Lleve, conserve y utilice correctamente la protección respiratoria según indican las instrucciones del empleador y según los requisitos de las normativas de salud y seguridad en el trabajo. La protección respiratoria debe ser eficaz para el tipo de sustancia concreta (y, si procede, aprobada por la autoridad gubernamental correspondiente).
- ▶ Trabaje en una zona bien ventilada.
- ▶ Si la máquina tiene tubo de escape, dirjalo convenientemente de forma que se mueva el menor polvo posible donde éste sea abundante.

- ▶ Maneje y conserve la máquina según lo recomendado en las instrucciones de funcionamiento y seguridad.
- ▶ Seleccione, conserve y sustituya los consumibles, la herramienta de inserción y demás accesorios según lo recomendado en las instrucciones de funcionamiento y seguridad. La selección incorrecta o la falta de mantenimiento de los consumibles, de la herramienta insertada y demás accesorios puede causar un aumento innecesario del polvo o de los humos.
- ▶ Lleve prendas protectoras lavables o desechables en el lugar de trabajo; dúchese y póngase ropa limpia antes de salir del lugar de trabajo para reducir su exposición al polvo y a los humos y la de otras personas, coches, casas y otras zonas.
- ▶ Nunca coma, beba ni fume en zonas donde haya polvo o humos.
- ▶ Lávese las manos y la cara a fondo lo antes posible cuando salga de la zona de exposición, y siempre antes de comer, beber, usar productos relacionados con el tabaco o tener contacto con otras personas.
- ▶ Cumpla todas las leyes y normativas aplicables, incluidas las normativas de salud y seguridad en el trabajo.
- ▶ Participe en los programas de control del aire y en los exámenes médicos y en los programas de formación de salud y seguridad proporcionados por su empleador o por las organizaciones sindicales y conformes con las normativas y recomendaciones de salud y seguridad en el trabajo. Consulte con médicos que tengan experiencia en medicina del trabajo.
- ▶ Colabore con su empleador y con la organización sindical para reducir la exposición al polvo y a los humos en las obras y para reducir los riesgos. Se deben crear y poner en práctica programas, políticas y procedimientos eficaces de salud y seguridad, para proteger a los trabajadores y a las demás personas contra la exposición nociva al polvo y a los humos, a partir del asesoramiento de expertos de salud y seguridad. Consulte con los expertos.

▲ **ADVERTENCIA** **Proyectiles**

Un fallo de la pieza de trabajo, de los accesorios o incluso de la propia máquina puede generar proyectiles a alta velocidad. Durante el funcionamiento, las astillas y otras partículas del material de trabajo pueden actuar como proyectiles y causar daños corporales al golpear al operario o a otras personas. Para reducir estos riesgos:

- ▶ Utilice un equipo de protección personal aprobado y un casco de seguridad, incluida la protección ocular contra impactos con protección lateral.
- ▶ Asegúrese de que las personas no autorizadas no entren en la zona de trabajo.
- ▶ Mantenga el lugar de trabajo libre de objetos extraños.
- ▶ Asegúrese de que la pieza de trabajo esté bien sujeta.

▲ **ADVERTENCIA** **Riesgos relacionados con las astillas**

El uso de la herramienta de inserción como herramienta manual de percusión puede hacer que salten astillas al operario y le provoquen lesiones personales.

- ▶ Nunca utilice una herramienta de inserción como herramienta manual de percusión. Está diseñada y tratada térmicamente para su uso específico en una máquina.

▲ **ADVERTENCIA** **Peligros de deslizamiento, desconexión y caída**

Hay riesgo de deslizamiento, desconexión o caída, por ejemplo desconexión de las mangueras u otros objetos. El deslizamiento, la desconexión y la caída pueden provocar lesiones. Para reducir este riesgo:

- ▶ Asegúrese siempre de que no haya mangueras ni otros objetos que obstaculicen su paso o el de otras personas.
- ▶ Asegúrese de estar siempre en una posición estable, con los pies separados a la misma distancia que la anchura de los hombros, y con el peso del cuerpo equilibrado.

▲ ADVERTENCIA Riesgos relativos al movimiento

Al usar la máquina para realizar actividades relacionadas con el trabajo, puede experimentar malestar en las manos, los brazos, los hombros, el cuello y otras partes del cuerpo.

- ▶ Adopte una postura cómoda manteniendo el pie firme y evitando extrañas posturas en desequilibrio.
- ▶ El cambio de postura durante las tareas prolongadas puede ayudar a evitar el malestar y la fatiga.
- ▶ En caso de tener síntomas continuos o periódicos, consulte a un profesional de la salud cualificado.

▲ ADVERTENCIA Riesgos relativos a las vibraciones

El uso normal y correcto de la máquina expone al operario a las vibraciones. La exposición regular y frecuente a las vibraciones puede ocasionar lesiones o trastornos —o contribuir a provocarlos o agravarlos— en dedos, manos, muñecas, brazos, hombros y/o nervios y riego sanguíneo u otras partes del cuerpo del operario, incluidas lesiones o trastornos permanentes y/o debilitantes que pueden desarrollarse gradualmente durante periodos de semanas, meses o años. Estas lesiones o trastornos pueden consistir en el deterioro del sistema circulatorio sanguíneo, del sistema nervioso, de las articulaciones y otros daños en distintas zonas corporales.

Si en algún momento siente entumecimiento, malestar continuo periódico, ardor, agarrotamiento, dolor punzante, hormigueo, dolor, torpeza, débil agarre en las manos, piel pálida u otros síntomas, tanto si está usando la máquina como si no, deje de usarla, avise a su empleador y acuda al médico. El uso continuado de la máquina tras la aparición de alguno de estos síntomas puede hacer que aumente el riesgo de que los síntomas se agraven o se hagan permanentes.

Maneje y conserve la máquina según lo recomendado en estas instrucciones, con el fin de evitar un aumento innecesario de las vibraciones.

Las siguientes indicaciones pueden ayudar a reducir la exposición a las vibraciones para el operario:

- ▶ Deje que sea la máquina la que haga el trabajo. Agárrela lo mínimo, para controlarla correctamente y que su uso sea seguro.
- ▶ Si la máquina tiene empuñaduras de absorción de vibraciones, manténgalas en posición central, evitando presionarlas en los topes finales.
- ▶ Cuando se active el mecanismo de percusión, el único contacto corporal con la máquina que se debe tener es el de las manos en la empuñadura o las empuñaduras. Evite cualquier otro contacto, como por ejemplo descansar una parte del cuerpo en la máquina o apoyarse en ella para aumentar la fuerza de avance. También es importante no mantener el dispositivo de puesta en marcha y parada encendido al mismo tiempo que se extrae la herramienta de la superficie de trabajo rota.
- ▶ Asegúrese de que la herramienta insertada se encuentra en buen estado (incluso el afilado, si se trata de una herramienta de corte), no está gastada y es del tamaño adecuado. Las herramientas de inserción que no se encuentran en buen estado, están gastadas o no son del tamaño adecuado alargan el tiempo de realización de una tarea (y de exposición a las vibraciones) y pueden contribuir a la exposición a niveles más altos de vibración.

- ▶ Deje de trabajar inmediatamente, si de repente la máquina empieza a vibrar violentamente. Antes de continuar trabajando, averigüe y elimine la causa del incremento de las vibraciones.
- ▶ Nunca agarre, sostenga ni toque la herramienta de trabajo cuando utilice la máquina.
- ▶ Participe en las inspecciones o los controles de salud, en los exámenes médicos y en los programas de formación ofrecidos por su empleador y cuando la ley así lo exija.
- ▶ Cuando trabaje en climas fríos lleve ropa de abrigo y mantenga las manos calientes y secas.

Consulte la “Declaración de ruido y vibraciones” de la máquina, incluidos los valores de vibración declarados. Puede encontrar esta información al final de las instrucciones de seguridad y de funcionamiento

- ◆ Asegúrese de satisfacer la presión atmosférica recomendada al utilizar la máquina. Una presión atmosférica más alta o más baja puede producir niveles más altos de vibración.

▲ PELIGRO Riesgos relacionados con la electricidad

La máquina no está aislada eléctricamente. Si la máquina entra en contacto con la electricidad, podría provocar lesiones graves o la muerte.

- ▶ No utilice nunca la máquina cerca de un cable eléctrico ni otra fuente de electricidad.
- ▶ Compruebe que no haya cables u otras fuentes de electricidad ocultos en el área de trabajo.

▲ ADVERTENCIA Peligros relacionados con objetos ocultos

Durante el funcionamiento, los cables y tubos ocultos constituyen un peligro, ya que pueden ocasionar lesiones graves o la muerte.

- ▶ Compruebe la composición del material antes del funcionamiento.
- ▶ Fíjese bien que no haya cables ni tubos ocultos, como líneas de electricidad, teléfono, agua, gas y aguas residuales.
- ▶ Si la herramienta insertada parece haber topado con un objeto oculto, apague la máquina de inmediato.
- ▶ Compruebe que no haya ningún peligro antes de continuar.

▲ ADVERTENCIA Encendido involuntario

El encendido involuntario de la máquina puede producir lesiones.

- ▶ Mantenga las manos alejadas del dispositivo de puesta en marcha y parada hasta que esté listo para arrancar la máquina.
- ▶ Sepa cómo apagar la máquina en caso de producirse una emergencia.
- ▶ Libere el dispositivo de puesta en marcha y parada inmediatamente siempre que se interrumpa el suministro eléctrico.
- ▶ Cuando inserte o extraiga la herramienta de inserción, interrumpa el suministro de aire, purgue la máquina presionando el dispositivo de puesta en marcha y parada y desconecte la máquina de la unidad de potencia.

▲ ADVERTENCIA Riesgos relacionados con el ruido

Los altos niveles de ruido pueden producir pérdida de audición permanente e incapacitante y otros problemas tales como acúfenos (vibración, zumbido, silbido o ronroneo en los oídos). Para reducir los riesgos y evitar un aumento innecesario de los niveles de ruido:

- ▶ Es esencial hacer la evaluación del riesgo de estos peligros y la puesta en práctica de los controles adecuados.
- ▶ Maneje y conserve la máquina según lo recomendado en estas instrucciones.
- ▶ Seleccione, conserve y sustituya la herramienta de inserción según lo recomendado en estas instrucciones.
- ▶ Si la máquina tiene silenciador, compruebe que esté en su sitio y en buen estado de funcionamiento.
- ▶ Utilice siempre protección para los oídos.
- ▶ Utilice material de amortiguación para evitar que las piezas de trabajo “vibren”.

Mantenimiento, precauciones

▲ ADVERTENCIA Modificación de la máquina

Cualquier modificación de la máquina puede provocar daños corporales a usted y a otras personas.

- ▶ Nunca modifique la máquina. Una máquina modificada no estará cubierta por la garantía ni por la responsabilidad del producto.
- ▶ Utilice siempre piezas, herramientas de inserción y accesorios originales aprobados por Atlas Copco.
- ▶ Cambie las piezas dañadas inmediatamente.
- ▶ Sustituya los componentes gastados con la debida antelación.

▲ ATENCIÓN Herramienta de inserción caliente

La punta de la herramienta de inserción puede calentarse con el uso. Si se toca, puede provocar quemaduras y cortes.

- ▶ Nunca toque una herramienta de inserción caliente o afilada.
- ▶ Espere a que la herramienta de inserción se haya enfriado antes de realizar los trabajos de mantenimiento.

▲ ADVERTENCIA Peligros de la herramienta de inserción

La conexión accidental del dispositivo de puesta en marcha y parada durante el mantenimiento o la instalación puede causar lesiones graves cuando la unidad de potencia está conectada.

- ▶ Nunca revise, limpie, instale ni retire la herramienta de inserción mientras la unidad de potencia esté conectada.

Almacenaje, precauciones

- ◆ Guarde la máquina y las herramientas en un lugar seguro, fuera del alcance de los niños y bajo llave.

Visión general

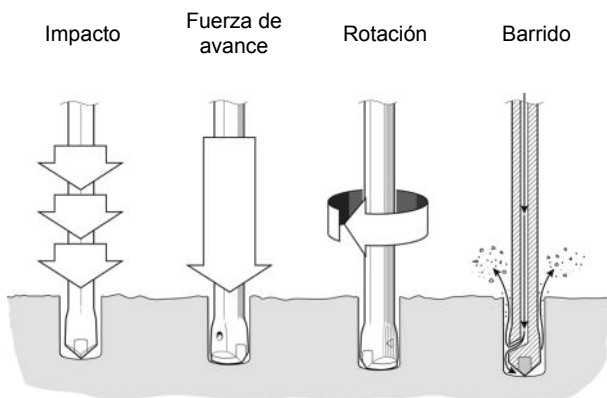
Para reducir el riesgo de que usted u otras personas padezcan lesiones graves o la muerte, antes de usar la máquina lea la sección de Instrucciones de seguridad que encontrará en las páginas anteriores de este manual.

Diseño y funcionamiento

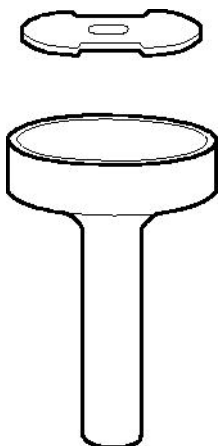
RH 571, RH 572 y RH 658 son perforadoras neumáticas diseñadas para perforaciones verticales, perforaciones de orificios para tacos y perforaciones en hormigón para construcción y minas. No está permitido ningún otro uso.

Para elegir las herramientas de inserción correctas, póngase en contacto con su concesionario local de Atlas Copco.

Principio de funcionamiento de una perforadora

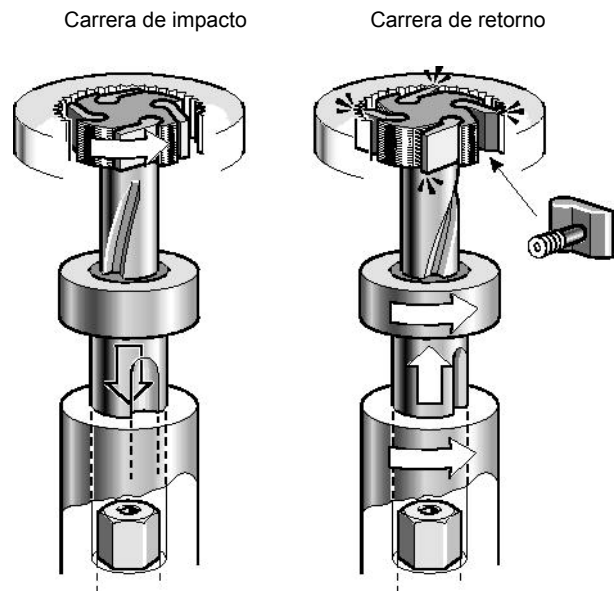


Mecanismo de la válvula de control



La válvula dirige el aire de manera alterna de un lado a otro del pistón para que se mueva hacia arriba y hacia abajo. El pistón transmite la energía a través de la barrena hacia la parte inferior del agujero.

Mecanismo de rotación

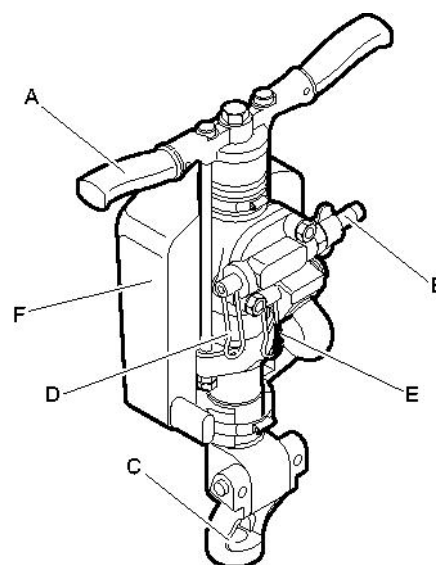


La barrena gira levemente con cada golpe de rotación de la barra rayada. La rotación es normalmente en sentido contrario al de las agujas del reloj y se realiza generalmente en la carrera de retorno del pistón.

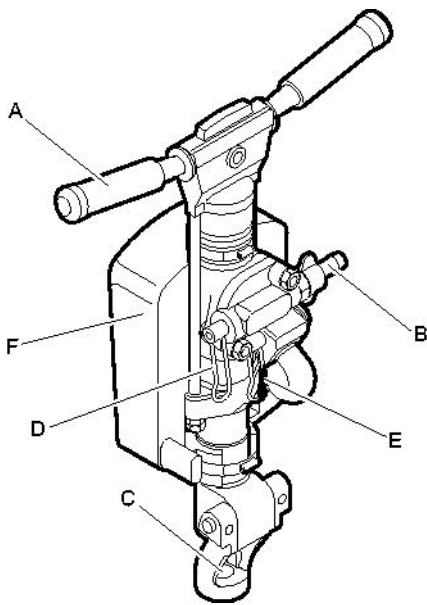
Barrido

El barrido se canaliza a través de un orificio del pistón. Esto significa que el aire de barrido se suministra justo cuando se activa el aire comprimido.

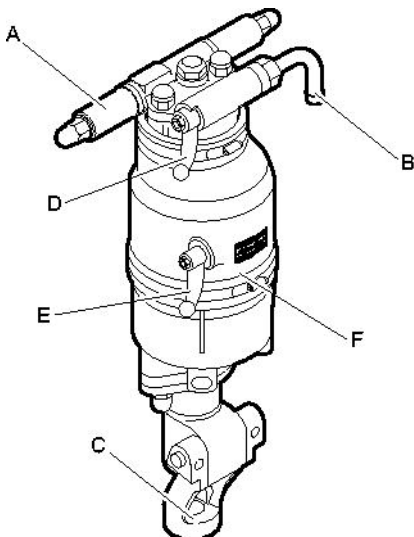
Piezas principales



RH 571-5L/LS



RH 572E



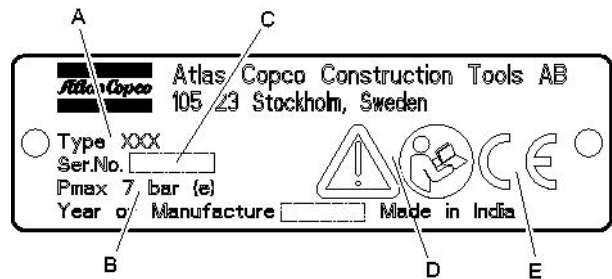
RH 658L/LS

- A. Empuñadura
- B. Boquilla de admisión de aire
- C. Retenedor de la barrena de perforación
- D. Palanca de control
- E. Palanca de soplador adicional
- F. Silenciador (opcional)

Etiquetas

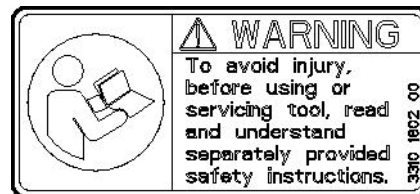
La máquina incluye etiquetas que contienen información importante sobre la seguridad personal y el mantenimiento de la máquina. Las etiquetas deberán estar en buen estado para que sean fáciles de leer. Se pueden pedir nuevas etiquetas en la lista de piezas de repuesto.

Placa de datos



- A. Tipo de máquina
- B. Presión de aire comprimido máxima permitida
- C. Número de serie
- D. El símbolo de atención unido al símbolo del libro significa que el usuario debe leer las instrucciones de seguridad y de funcionamiento antes de usar la máquina por primera vez.
- E. El símbolo CE indica que la máquina tiene la aprobación de la CE. Consulte la declaración de la CE que se suministra con la máquina para obtener más información. Si el símbolo CE no está, significa que la máquina no tiene la aprobación de la CE.

Etiqueta de seguridad



Para evitar lesiones, antes de usar o de reparar la herramienta, lea y comprenda las instrucciones de seguridad proporcionadas por separado.

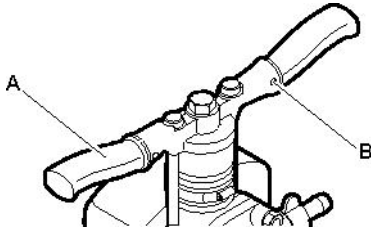
Montaje

Desempaquetado de la perforadora

Protecciones de plástico

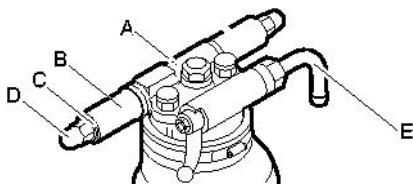
Antes de utilizar la perforadora por primera vez, deberá retirar todas las protecciones de plástico de las boquillas de las mangueras, de los orificios de ventilación y del mandril de rotación.

Montaje



RH 571-5L/LS

- 1) Presione los casquillos y las empuñaduras (A) en cada lado del cabezal trasero.
- 2) Sujete las empuñaduras golpeando ligeramente los pasadores de resorte (B) del cabezal trasero.



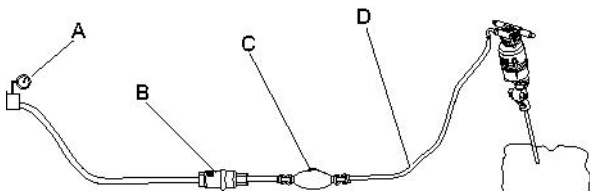
RH 658L/LS

- 1) Coloque el perno de la empuñadura (A) dentro del cabezal trasero.
- 2) Coloque los mangos (B) a cada lado del perno de la empuñadura.
- 3) Sujete los mangos con una arandela (C) y una tuerca ciega (D) a ambos lados.
- 4) Atornille la boquilla de la manguera (E) en la toma de aire, hasta que quede apretada.

Lubricación

Tras desempaquetar e instalar la herramienta, vierta una cantidad generosa de aceite lubricante en la conexión de aire.

Mangueras y conexiones



- A. Fuente de aire comprimido
- B. Separador de agua (opcional)
- C. Lubricador (opcional)
- D. Manguera de aire comprimido de 3 metros como máximo entre el lubricador y la máquina.

- ◆ Compruebe que esté utilizando la presión operativa correcta recomendada: 6 bares (e).
- ◆ No debe sobrepasarse la presión máxima de aire admisible, 7 bares (e).
- ◆ Quite las impurezas de la manguera de aire comprimido antes de conectarla a la máquina.
- ◆ Seleccione las dimensiones correctas y la longitud de la manguera de aire comprimido. Para longitudes de manguera de hasta 30 metros, debe utilizarse una manguera con un diámetro interno mínimo de 19 mm (3/4"). Si la longitud de la manguera es de 30 a 100 metros, debe utilizarse una manguera con un diámetro interno mínimo de 25 mm (1").

Métodos para evitar la congelación

Puede acumularse hielo en el silenciador cuando la temperatura ambiente es de 0–10°C (32–50°F) y la humedad relativa es alta.

La máquina está diseñada para evitar la formación de hielo en el silenciador. A pesar de eso, en condiciones extremas se puede formar hielo en el silenciador.

Tome las siguientes medidas para neutralizar el riesgo de formación de hielo:

- ◆ Utilice el lubricante Rock Drill AIR-OIL de Atlas Copco.
- ◆ Utilice el separador de agua VAM 5A.

Si la perforadora se hiela, no la caliente nunca para fundir el hielo. Deje siempre que el hielo se funda a temperatura ambiente.

No vierta nunca alcohol desnaturalizado ni sustancias similares sobre la perforadora, ya que interferirán con la lubricación y aumentará el desgaste.

Conexión de un separador de agua

La longitud de la manguera de aire entre el compresor y el separador de agua debe ser lo suficiente como para que el vapor de agua se enfríe y se condense en la manguera antes de alcanzar el separador de agua.

Si la temperatura ambiente está por debajo de 0 °C (32 °F) el tubo flexible debe ser lo suficientemente corto para impedir que se congele el agua antes de llegar al separador de agua.

Lubricación

La perforadora se lubrica con aceite mezclado con aire comprimido, que se traslada a las piezas que necesitan lubricación continua. El aceite se introduce en el aire comprimido utilizando un lubricador Atlas Copco CLG 30 conectado a la línea de aire.

Utilice AIR-OIL para perforadoras Atlas Copco, que está especialmente diseñada para perforadoras neumáticas BBC, BBD y RH. AIR-OIL para perforadoras es fácilmente biodegradable conforme a OECD 301 y posee una alta tensión superficial que resiste cargas pesadas. Si AIR-OIL para perforadoras no está disponible, utilice un aceite mineral para herramientas neumáticas con las propiedades recomendadas en la tabla siguiente.

Margen de temperatura (°C)	Grado de viscosidad (ISO 3448)
De -30 a 0	ISO VG 32-68
De -10 a +20	ISO VG 68-100
De +10 a +50	ISO VG 100-150

Ajuste de presión

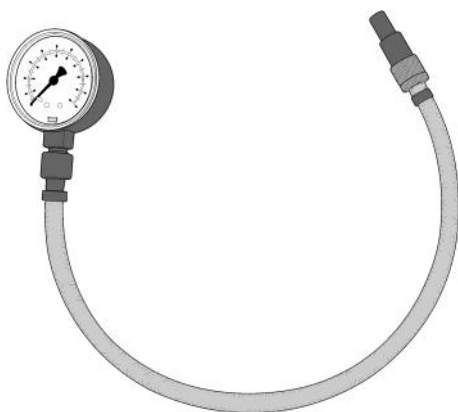
Presión del aire

Compruebe que el compresor pueda suministrar a la herramienta la presión del aire requerida entre 4 y 6 bares.

1. La alta presión provoca un funcionamiento brusco y un desgaste excesivo.
2. La baja presión genera una velocidad de perforación lenta.

Calibre la presión del aire correcta

Utilice el manómetro de Atlas Copco (**9090 0550 80**) para comprobar la presión del aire cuando la perforadora esté en marcha. La presión se debe medir cerca de la boquilla de admisión. La máxima presión de trabajo permitida es de 6 bares.



El manómetro incluye una aguja que se inserta sobre la manguera para medir la presión de su interior.

Barrena de perforación

▲ ADVERTENCIA Herramienta de inserción retirada

Si el retén de la herramienta de la máquina no está en una posición bloqueada, la herramienta insertada se puede retirar de forma forzosa, lo que puede causar lesiones personales.

- ▶ Antes de cambiar la herramienta de inserción, pare la máquina, desconecte el suministro de aire comprimido y purgue la máquina activando el dispositivo de puesta en marcha y parada.

Antes de insertar la barrena de perforación

Compruebe que el vástago de la herramienta tiene el tamaño y la longitud adecuados para el mandril utilizado. El vástago debe estar limpio y la herramienta debe estar en buen estado. Los vástagos astillados, redondeados, descuadrados o demasiado duros en el extremo de percusión funcionarán de forma ineficiente y provocarán un funcionamiento incorrecto del pistón de forma prematura.

Inspeccione la barrena de perforación:

Una barrena de perforación desgastada ralentizará la velocidad de perforación y ejercerá una presión excesiva sobre el mecanismo de perforación. Cuando cambie la barrena de perforación, asegúrese de que la nueva sea del tamaño correcto para continuar con la perforación previa.

Antes de la perforación, compruebe que el orificio de barrido de la barrena no esté bloqueado.

▲ ATENCIÓN Herramienta de inserción caliente

La punta de la herramienta de inserción puede calentarse con el uso. Si se toca, puede provocar quemaduras y cortes.

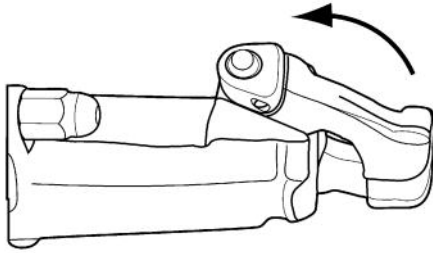
- ▶ Nunca toque una herramienta de inserción caliente o afilada.
- ▶ Espere a que la herramienta de inserción se haya enfriado antes de realizar los trabajos de mantenimiento.

AVISO No enfríe nunca una herramienta de inserción caliente en agua, ya que puede producirle fragilidad y fallos prematuros.

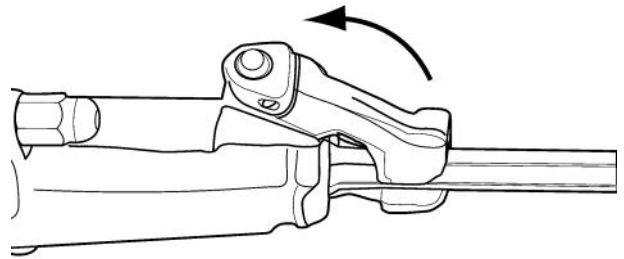
Inserción de la barrena de perforación

Cuando inserte la barrena debe seguir las siguientes instrucciones:

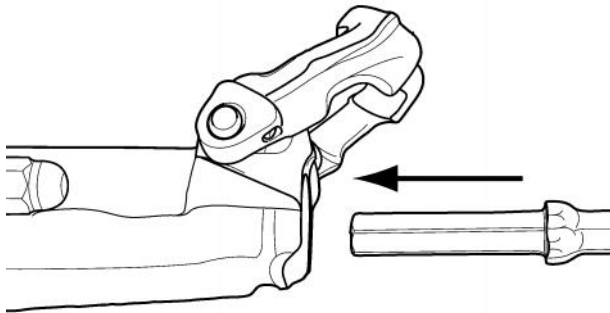
1. Tire del retén hacia fuera en el sentido de la flecha, hasta que la parte delantera pueda alojar el collar de la barrena.



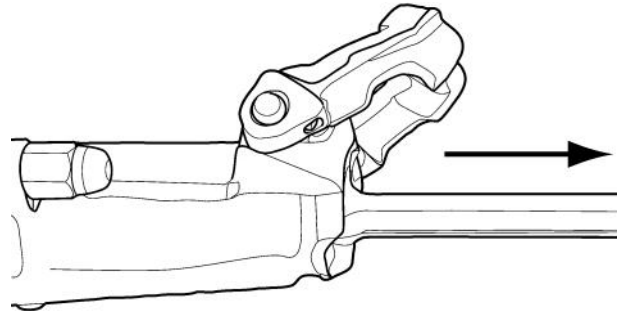
1. Tire del retén hacia fuera en el sentido de la flecha, hasta que el collar de la barrena se desenganche de la parte delantera del retén.



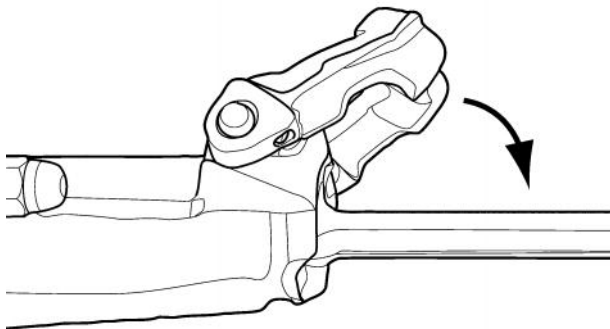
2. Inserte la barrena en el mandril.



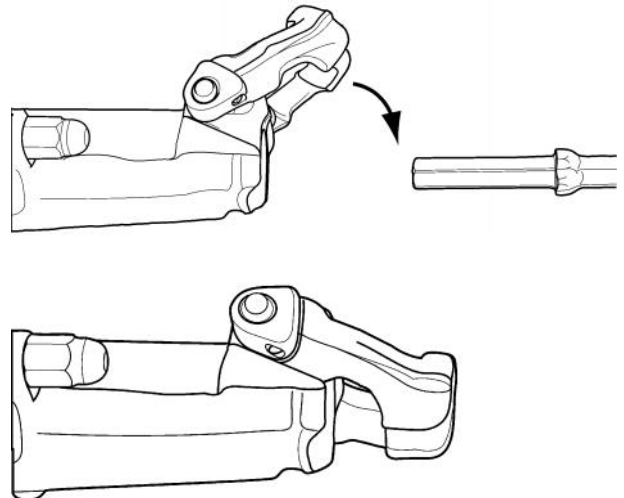
2. Tire de la barrena hacia fuera.



3. Cuando la barrena llegue al final, empuje el retén hacia atrás para bloquearlo.



3. Empuje el retén hacia atrás.



Desmontaje de la barrena de perforación

Cuando desmonte la barrena debe seguir las siguientes instrucciones:

Funcionamiento

▲ ADVERTENCIA Encendido involuntario

El encendido involuntario de la máquina puede producir lesiones.

- ▶ Mantenga las manos alejadas del dispositivo de puesta en marcha y parada hasta que esté listo para arrancar la máquina.
- ▶ Sepa cómo apagar la máquina en caso de producirse una emergencia.
- ▶ Detenga inmediatamente la máquina en caso de interrupción de la alimentación.

Preparaciones antes de la puesta en marcha

Control del equipo de perforación

- ◆ Compruebe que todo el equipo de perforación esté en buen estado de funcionamiento.
- ◆ Compruebe que la superficie de impacto del vástago de la barrena sea plana y no presente signos de desgaste.
- ◆ Compruebe que no haya ningún atasco en los puertos de admisión y salida de aire.
- ◆ Compruebe que los orificios de barrido de la barrena o de la broca no estén bloqueados, y que el aire o el agua de barrido fluyan sin ningún impedimento.
- ◆ Compruebe que el filtro de aire (situado en la boquilla de aire) esté limpio y que no esté desgarrado ni deformado.
- ◆ Compruebe que las fijaciones estén apretadas y que no presenten fugas.

▲ PELIGRO Manguera de aire suelta

Una manguera de aire comprimido floja puede asestar latigazos a las personas y ocasionarles lesiones o incluso la muerte.

- ▶ Compruebe que la manguera de aire comprimido y las conexiones no estén dañadas.
- ▶ Compruebe que todas las conexiones de aire comprimido estén debidamente conectadas.

Purga de la manguera de aire

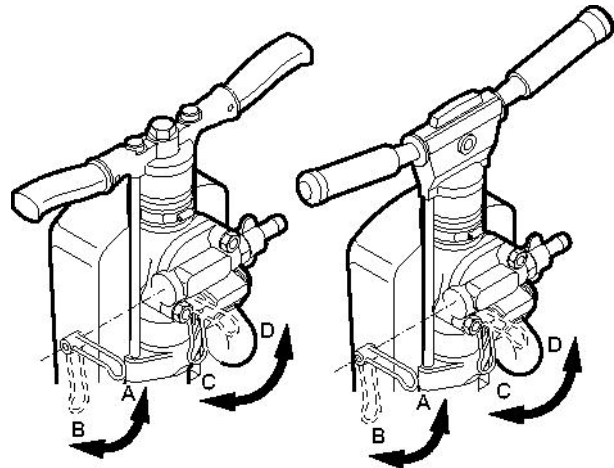
- ◆ Purgue todos los días la manguera de aire para limpiar la suciedad y la humedad acumuladas antes de utilizar la perforadora.

Llenado de aceite del lubricador

- ◆ Compruebe que el mandril y el vástago de la barrena estén siempre cubiertos de una película de aceite.

Controles

Palanca de control

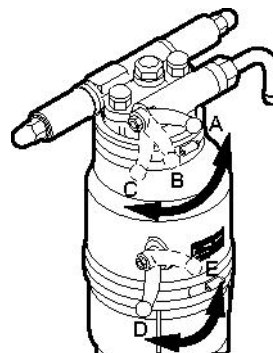


RH 571-5L/LS

RH 572E

La perforadora incluye una palanca de control para regular el aire comprimido que va hacia el mecanismo de percusión y una palanca de soplador para una limpieza adicional por soplado.

- A. Válvula reguladora cerrada (posición de parada)
- B. Palanca de control abierta del todo
- C. Válvula del soplador cerrada (posición de parada)
- D. Válvula del soplador abierta del todo



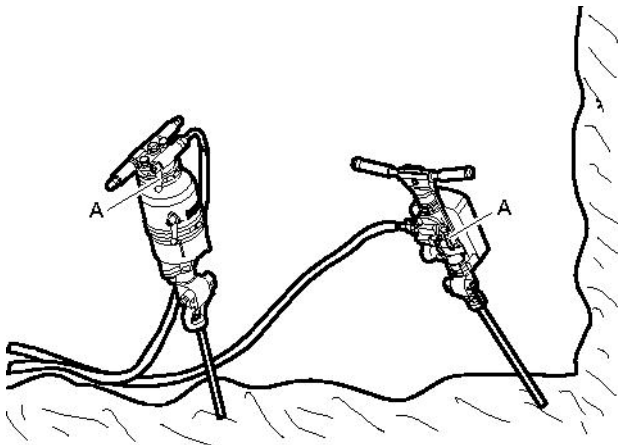
RH 658L/LS

La perforadora incluye una palanca de control para regular el aire comprimido que va hacia el mecanismo de percusión y una palanca de soplador para una limpieza adicional por soplado.

- A. Válvula reguladora cerrada (posición de parada)
- B. Palanca de control abierta a la mitad
- C. Palanca de control abierta del todo
- D. Válvula del soplador cerrada (posición de parada)
- E. Válvula del soplador abierta del todo

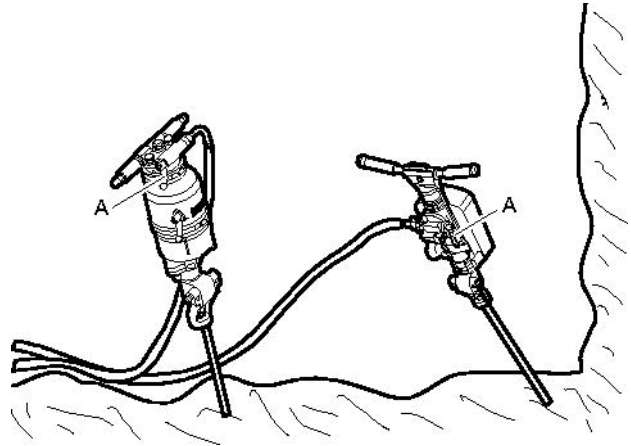
Puesta en marcha y parada

Puesta en marcha de la perforadora



1. Abra la válvula principal para que salga el aire comprimido.
2. Alinee la perforadora de forma que la barrena toque el punto de perforación deseado.
3. Desplace la palanca de control (A) hacia delante un poco, con lo que se iniciará la percusión y la rotación.
4. Inicie la perforación con una fuerza de avance reducida.
5. Desplace la palanca de control (A) totalmente hacia delante cuando la barrena se haya apoyado de manera firme en la roca.

Detención de la perforadora



1. Empuje la palanca de control (A) hacia atrás a la posición cerrada, con lo que se detendrá la percusión y la rotación.

En funcionamiento

Perforación

- ◆ Utilice calzado, guantes y casco de protección, así como protectores para los oídos y protección ocular contra impactos con protección lateral.
- ◆ Manténgase de pie de manera firme y sujete siempre la máquina con ambas manos.
- ◆ Sujete la herramienta insertada firmemente contra la superficie de trabajo antes de arrancar la máquina.

En los descansos

- ◆ Durante todos los descansos debe colocar la máquina de forma que no haya riesgo de que se ponga en marcha involuntariamente. Asegúrese de colocar la máquina en el suelo, de forma que no se caiga.
- ◆ En caso de hacer un descanso más largo o a la hora de irse de la obra: Apague la alimentación y, a continuación, purgue la máquina activando el dispositivo de puesta en marcha y parada.

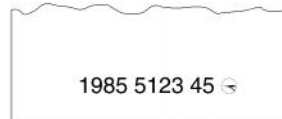
Mantenimiento

El mantenimiento regular es un requisito esencial para el uso seguro y eficaz de la máquina. Siga las instrucciones de mantenimiento detenidamente.

- ◆ Antes de iniciar el mantenimiento en la máquina, límpiela para evitar la exposición a sustancias peligrosas. Consulte “Peligros del polvo y del humo”
- ◆ Utilice sólo piezas originales. Cualquier daño o defecto originado por la utilización de piezas no autorizadas no estará cubierto por la garantía ni por la responsabilidad del producto.
- ◆ Al limpiar las piezas mecánicas con un disolvente, asegúrese de cumplir la normativa de salud y seguridad en el trabajo y de que haya la suficiente ventilación.
- ◆ Para realizar una reparación más completa de la máquina, acuda al taller autorizado más cercano.
- ◆ Después de cada reparación, compruebe que el nivel de vibraciones de la máquina sea el normal. Si no lo es, póngase en contacto con el taller autorizado más cercano.

Diferencias entre las piezas originales y otras piezas

Al comprar una pieza, lo primero que debe hacer es comprobar que la pieza sea de Atlas Copco. La mayoría de piezas pueden identificarse.



Las piezas de la perforadora suelen estar marcadas con un número de pieza y la marca de identidad de Atlas Copco, que es un círculo con una perforadora. En algunos casos, la pieza está marcada sólo con el círculo o el número de pieza.

Las piezas de goma y plástico no suelen estar marcadas.

Las empresas que copian nuestras piezas suelen marcar las piezas más grandes y caras. Algunas piezas sólo incluyen el número de pieza, pero algunas también tienen una marca identificativa con las iniciales del nombre del fabricante. Los números de pieza sobre piezas que no son originales suelen estar estampadas manualmente, lo que genera irregularidades. Los números de pieza estampados por Atlas Copco son regulares y cada cifra tiene el mismo tamaño. Además, la profundidad de las cifras y el espacio entre ellas en cada grupo son iguales.

A diario

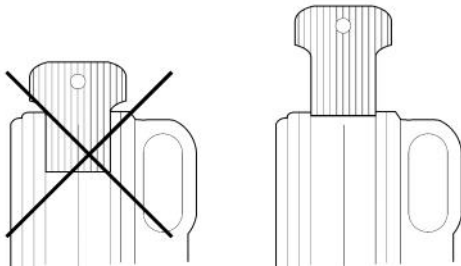
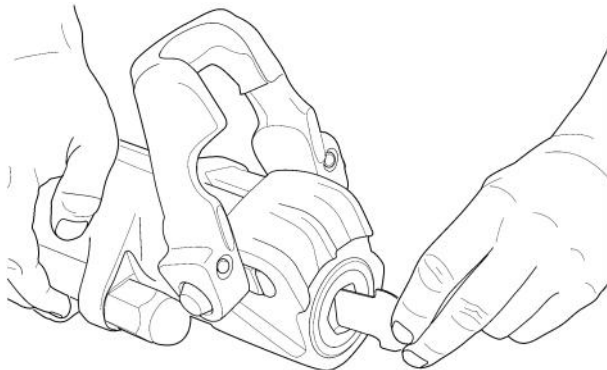
Antes de realizar cualquier tarea de mantenimiento o cambiar la herramienta de inserción en las máquinas neumáticas, desactive siempre el suministro de aire y purgue la máquina pulsando el dispositivo de puesta en marcha y parada, y a continuación desconecte la manguera de aire de la máquina.

- ◆ Limpie e inspeccione la máquina y sus funciones cada día antes de empezar a trabajar.
- ◆ Realice una inspección general para determinar si hay fugas o desperfectos.
- ◆ Compruebe que la boquilla de admisión de aire esté apretada y que el acoplamiento de garras no esté dañado.
- ◆ Compruebe el funcionamiento de la palanca de control. Compruebe que se desplace libremente arriba y abajo.
- ◆ Compruebe el funcionamiento del retenedor. Asegúrese de que bloquee la barrena.
- ◆ Cambie las piezas dañadas inmediatamente.
- ◆ Sustituya los componentes gastados con la debida antelación.
- ◆ Compruebe los pernos pasantes de la máquina. Asegúrese de que estén apretados.
- ◆ Si la máquina está equipada con silenciador, compruebe que no esté dañado.

Comprobación del desgaste

1. Compruebe el desgaste del casquillo del mandril con el calibre de Atlas Copco (**3091 0038 00**) (22 mm).

Si el límite de desgaste se ha superado, el vástago de la barrena se desgastará más rápidamente o se deformará. Esto provocará atascos e incrementará el consumo de barrenas de perforación.

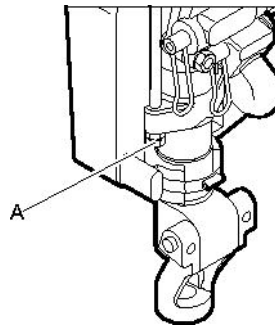


2. Compruebe las mangueras, los acoplamientos y los controles por si presentan fugas o están dañados.
3. Compruebe que la lubricación que reciben la perforadora sea suficiente. Vierta tanto lubricante como sea necesario.
4. Drene el separador de agua.

Mantenimiento periódico

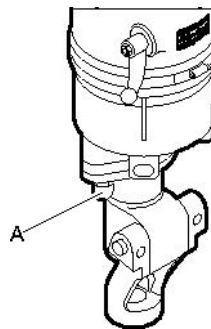
Después de un período operativo de unas 100 horas de trabajo o bien tres veces al año, se debe desmontar la máquina y limpiar y comprobar todas las piezas. Este trabajo debe realizarlo personal autorizado y cualificado para ello.

Par de apriete



RH 571-5L/LS, RH 572E

- A. Tuerca de perno lateral, 90 Nm (66 ft.lbf)



RH 658L/LS

- A. Tuerca de perno lateral, 125 Nm (92 ft.lbf)

Patrones de daños

Las piezas desgastadas o rotas siempre deben examinarse con detenimiento antes de ser sustituidas, ya que pueden dar información importante sobre el estado de la perforadora y sobre el modo en que se utiliza y se mantiene.

Problema	Causa
Las piezas de acero son de un color azulado	Las piezas se han sometido a un calor excesivo. Esto puede deberse a una lubricación insuficiente o a un funcionamiento excesivamente lento
Las piezas de acero tienen fisuras pequeñas, casi microscópicas, sobre las superficies de desgaste	Ver la explicación anterior
Hay cavidades irregulares sobre la superficie de las piezas de bronce	Ver la explicación anterior
Marcas de corte	Daños secundarios
	Suciedad en el interior de la broca
	Desalineación interior debido a una tensión desigual en los pernos laterales

Almacenaje

- Lubrique siempre bien la perforadora antes de guardarla.
- Guarde siempre la máquina en un lugar limpio y seco.
- Asegúrese de que no entren elementos extraños en la máquina.
- Proteja el mandril utilizando el tapón de plástico incluido en la máquina. De forma alternativa, puede utilizar un tapón de madera o un trozo limpio de tela de algodón.
- Si debe guardarla durante un periodo de tiempo prolongado, vierta un poco de aceite directamente en la admisión de aire de la perforadora y active el aire por poco tiempo. De este modo protegerá a la máquina de la corrosión.

Desechar

Una máquina usada se debe manipular y desechar de tal forma que se pueda reciclar la mayor cantidad posible del material, haya la menor influencia negativa posible en el medio ambiente y se cumplan las restricciones municipales.

Especificaciones técnicas

Datos de la máquina

Modelo	Número de pieza	Diámetro interior del pistón mm (in.)	Longitud de la carrera mm (in.)	Longitud total mm (in.)	Peso kg (lb)	Dimensiones del vástago mm (in.)
RH 571-5L	8311 0301 29	55 (2,16)	60 (2,36)	510 20	17,8 (39,2)	22 x 108 (7/8 x 4 1/4)
RH 571-5LS	8311 0301 37	55 (2,16)	60 (2,36)	510 20	18,9 (41,7)	22 x 108 (7/8 x 4 1/4)
RH 572E	8311 0301 78	55 (2,16)	60 (2,36)	583 23	22,8 (50,2)	22 x 108 (7/8 x 4 1/4)
RH 658L	8311 0302 86	65 (2,56)	59 (2,32)	565 22 1/4	24,0 (52,9)	22 x 108 (7/8 x 4 1/4)
RH 658LS	8311 0302 87	65 (2,56)	59 (2,32)	565 22 1/4	25,0 (55,1)	22 x 108 (7/8 x 4 1/4)

Modelo	Consumo de aire (6 bar) l/s (foot ³ /min)	Frecuencia de impacto (6 bar) Hz	Diámetro de perforación mm (in.)
RH 571-5L	39 (83)	35	28-34 (1,10-1,34)
RH 571-5LS	39 (83)	33	28-34 (1,10-1,34)
RH 572E	37 (78)	34	28-34 (1,10-1,34)
RH 658L	58 (123)	34	29-40 (1,14-1,57)
RH 658LS	58 (123)	34	29-40 (1,14-1,57)

Declaración de ruido y vibraciones

Nivel de potencia acústica garantizado **L_w** según ISO 3744, de conformidad con la directiva 2000/14/CE.

Nivel de presión acústica **L_p** según ISO 11203.

Valor de vibraciones **A** e incertidumbre **B** determinado según ISO20643. Consulte en la tabla "Datos de ruido y vibraciones" los valores A, B, etc.

Estos valores declarados se obtuvieron mediante pruebas de laboratorio, de acuerdo con la directiva o las normas indicadas, y son adecuados para la comparación con los valores declarados de otras herramientas probadas de acuerdo con dicha directiva o dichas normas. Estos valores declarados no son adecuados para su uso en evaluaciones de riesgo, por lo que los valores medidos en los lugares de trabajo individuales pueden resultar superiores. Los valores de exposición reales y el riesgo de sufrir daños experimentados por cada usuario son únicos y dependen del modo en que éste trabaja, el material con el que utiliza la máquina, así como el tiempo de exposición y el estado físico del usuario y el estado de la máquina.

Nuestra empresa, Atlas Copco Construction Tools AB, no se hace responsable de las consecuencias de utilizar los valores declarados en lugar de valores que reflejen la exposición real, en una evaluación de riesgos individual en una situación del lugar de trabajo sobre la que no tenemos control.

Esta herramienta puede causar el síndrome de vibraciones mano-brazo si no se usa adecuadamente. En la dirección <http://www.humanvibration.com/EU/VIBGUIDE.htm> puede ver una guía de la UE sobre el control de las vibraciones mano-brazo

Recomendamos un programa de control de salud para detectar los primeros síntomas que puedan estar relacionados con la exposición a las vibraciones, de forma que puedan modificarse los procedimientos de gestión para prevenir las discapacidades futuras.

Datos de ruido y vibraciones

	Ruido		Vibración	
	Valores declarados		Valores declarados	
	Presión acústica	Potencia acústica	Valores de tres ejes	
	ISO 11203	2000/14/CE	ISO 20643	
Modelo	Lp r=1m dB(A) rel 20 μPa	Lw garantizado dB(A) rel 1 pW	A m/s ² valor	B m/s ² amplitud
RH 571-5L	106	119	23,2	2,8
RH 571-5LS	99	112	23,2	2,8
RH 572E	100	113	9,7	1,9
RH 658L	106	116	21,2	2,6
RH 658LS	99	112	21,2	2,6

Accesorios

Descripción	Nota	Cantidad	Núm. Pedido
CLG 30, Tipo europeo	Para aceite mineral y sintético	1	8202 5102 39
BLG 30, Tipo europeo	Para aceite mineral	1	8202 5102 05
VAM 01, Tipo europeo	Flujo de aire <50 l/s (106 ft ³ /min)	1	8092 0110 58
VAM 5A, Tipo europeo	Flujo de aire <120 l/s (254 ft ³ /min)	1	8092 0110 82
Manguera de goma premontada	20 mm (¾")	1	9030 2047 00
Manguera plana X-LITE, universal	20 mm (¾")	1	9030 2115 00
AIR-OIL para perforadoras	4 l	1	8099 0201 04
AIR-OIL para perforadoras	10 l	1	8099 0201 10

Declaración CE de conformidad

Declaración CE de conformidad (Directiva 2006/42/CE)

Atlas Copco Construction Tools AB declara por la presente que las máquinas detalladas a continuación se ajustan a las disposiciones de las Directivas 2006/42/CE (Directiva sobre máquinas), y a las normas armonizadas mencionadas más abajo.

Perforadoras	Número de pieza	Pmax (bares)
RH 571-5L	8311 0301 29	7
RH 571-5LS	8311 0301 37	7
RH 572E	8311 0301 78	7
RH 658L	8311 0302 86	7
RH 658LS	8311 0302 87	7

Representante autorizado para la documentación técnica:

Erik Sigfridsson
Atlas Copco Constructions Tools AB
Dragonvägen 2
Kalmar

Administrador general:

Erik Sigfridsson

Fabricante:

Atlas Copco Constructions Tools AB
105 23 Stockholm
Sweden

Lugar y fecha:

Kalmar, 2010-01-01

PORTUGUÊS

Índice

Introdução.....	101
Acerca das instruções de segurança e operação.....	101
Instruções de segurança.....	102
Palavras de avisos de segurança.....	102
Precauções e habilitações pessoais.....	102
Equipamento pessoal de protecção.....	102
Drogas, álcool ou medicamentos.....	102
Instalação, precauções.....	102
Operação, precauções.....	103
Manutenção, precauções.....	108
Armazenamento, precauções.....	108
Visão geral.....	109
Concepção e função.....	109
Princípio de funcionamento de um perfurador de rocha.....	109
Mecanismo da válvula de controlo.....	109
Mecanismo de rotação.....	109
Limpeza por injeção de ar/água.....	109
Peças principais.....	109
Autocolantes.....	110
Placa de dados.....	110
Autocolante de segurança.....	110
Instalação.....	110
Desembalar o perfurador de rocha.....	110
Protecções de plástico.....	110
Montagem.....	111
Lubrificar.....	111
Mangueiras e ligações.....	111
Métodos para evitar o congelamento.....	111
Conectar o separador de água.....	111
Lubrificação.....	112
Ajuste de pressão.....	112
Pressão de ar.....	112
Calibre a pressão de ar correcta.....	112
Broca de aço.....	112
Antes de colocar a broca de aço.....	112
Colocar a broca de aço.....	113
Remover a broca de aço.....	113
Operação.....	114
Preparações antes de arrancar.....	114
Verifique o equipamento de perfuração.....	114
Faça uma descarga de ar pela mangueira de ar.....	114
Encha o lubrificador com óleo.....	114
Controlos.....	114
Alavanca de aceleração.....	114
Arranque e paragem.....	115
Dar arranque ao martelo perfurador de rocha.....	115
Parar o martelo perfurador de rocha.....	115
Funcionamento.....	115
Perfurar.....	115
Ao fazer uma pausa.....	115

Manutenção	115
Diferenças entre peças de origem e peças standard	116
Diariamente	116
Inspeção de desgaste	117
Manutenção periódica	117
Binário de aperto	117
Padrões de danos	117
Armazenamento	118
Abate	118
Dados técnicos	119
Dados da máquina	119
Declaração de ruído e vibração	119
Dados sobre o ruído e vibrações	120
Acessórios	120
Declaração de Conformidade da CE	121
Declaração de Conformidade da CE (Directiva da CE 2006/42/CE)	121

Introdução

Obrigado por escolher um produto da Atlas Copco. Desde 1873 que estamos empenhados em encontrar novas e melhores maneiras para ir ao encontro das necessidades dos nossos clientes. Ao longo dos anos, temos vindo a desenvolver designs de produtos inovadores e ergonómicos que ajudaram os clientes a melhorarem e a racionalizarem o seu trabalho diariamente.

A Atlas Copco tem uma forte rede global de vendas e assistência, que consiste em centros de apoio ao cliente e aos distribuidores espalhados por todo o mundo. Os nossos peritos são profissionais devidamente formados, com um extenso conhecimento dos produtos e experiência na aplicação. Oferecemos, em todos os cantos do mundo, suporte aos produtos e experiência técnica para assegurar que os nossos clientes possam sempre trabalhar com a máxima eficiência.

Para saber mais, visite: www.atlascopco.com

Atlas Copco Construction Tools AB

105 23 Stockholm

Sweden

Acerca das instruções de segurança e operação

O objectivo destas instruções é fornecer-lhe todas as informações acerca de como utilizar o perfurador de rocha de uma forma eficiente e segura. As instruções dão, também, conselhos e indicações sobre como efectuar manutenções regulares ao perfurador de rocha.

Antes de utilizar o perfurador de rocha pela primeira vez, tem obrigatoriamente que ler estas instruções cuidadosamente e compreendê-las na sua totalidade.

Instruções de segurança

Para reduzir o risco de ferimentos graves ou morte, para si próprio ou para outros, leia e compreenda as instruções de Segurança e operação antes de instalar, operar, reparar, fazer manutenção ou mudar acessórios na máquina.

Afixe estas instruções de Segurança e operação nos locais de trabalho, forneça cópias aos empregados, e certifique-se de que todos lêem as instruções de Segurança e operação antes de operar a máquina, ou de prestar assistência à máquina.

Para além disso, o operador ou o empregador do operador deve avaliar os riscos específicos que podem estar presentes em resultado de cada utilização da máquina.

Palavras de avisos de segurança

As palavras de avisos de segurança Perigo, Atenção e Cuidado têm os seguintes significados:

PERIGO	Indica uma situação perigosa, a qual, se não for evitada, irá provocar a morte ou ferimentos graves.
ATENÇÃO	Indica uma situação perigosa, a qual, se não for evitada, poderá provocar a morte ou ferimentos graves.
CUIDADO	Indica uma situação perigosa, a qual, se não for evitada, poderá provocar ferimentos ligeiros ou moderados.

Precauções e habilitações pessoais

A operação ou manutenção da máquina só pode ser feita por pessoal com as habilitações e a formação necessárias. Este pessoal tem que ser fisicamente capaz de manusear o volume, o peso e a potência da ferramenta. Faça sempre uso do seu bom senso e da sua capacidade de avaliação das situações.

Equipamento pessoal de protecção

Use sempre equipamento de protecção aprovado. Os operadores, bem como todas as outras pessoas que se encontrem na zona de trabalho, devem usar equipamento de protecção, incluindo, no mínimo:

- Capacete protector
- Protecção auricular
- Protecção para os olhos, resistente ao impacto e com protecção lateral

- Protecção respiratória, quando necessário
- Luvas protectoras
- Botas protectoras adequadas
- Fato de macaco de trabalho adequado, ou vestuário semelhante (não roupas largas) que cubra os braços e as pernas.

Drogas, álcool ou medicamentos

▲ ATENÇÃO Drogas, álcool ou medicamentos

Drogas, álcool ou medicamentos podem reduzir a sua capacidade de avaliação e de concentração. Reacções lentas e avaliações incorrectas podem provocar acidentes graves ou morte.

- ▶ Nunca use a máquina quando estiver cansado ou se tiver tomado drogas, álcool ou medicamentos.
- ▶ Ninguém que tenha tomado drogas, álcool ou medicamentos pode operar a máquina.

Instalação, precauções

▲ PERIGO Chicotada das mangueiras de ar

Um mangueira de ar comprimido que se solte pode causar ferimentos pessoais ou morte. Para reduzir este risco:

- ▶ Certifique-se de que as mangueiras de ar comprimido e as ligações não estão danificadas, e substitua-as se necessário.
- ▶ Certifique-se de que as mangueiras de ar comprimido e as ligações estão bem presas.
- ▶ Nunca transporte uma máquina pneumática segurando-a pela mangueira de ar.
- ▶ Nunca tente tirar uma mangueira de ar comprimido que esteja pressurizada. Primeiro, deve desligar a alimentação de ar comprimido directamente no compressor e, em seguida, deve purgar a máquina, activando o dispositivo de activação e desactivação.
- ▶ Nunca aponte uma mangueira de ar comprimido a si próprio ou a outra pessoa. Para evitar o risco de ferimentos, nunca utilize ar comprimido para soprar, por exemplo, poeiras, sujidade, etc. das suas roupas.
- ▶ Não use ligações de desacoplamento rápido à entrada da ferramenta. Use peças de encaixe roscadas para mangueira, em aço endurecido (ou num material com uma resistência ao choque equivalente).

- ▶ Sempre que forem usadas ligações de acoplamento universal de torcer (ligações de acoplamento de gancho), recomendamos que sejam instalados pinos de travamento e que sejam usados cabos de segurança anti-chicoteamento como salvaguarda contra possíveis falhas da mangueira à máquina, ou de mangueira a mangueira.

▲ ATENÇÃO Ferramenta de inserção ejectada

Se o retentor da ferramenta na máquina não estiver na posição de travamento, a ferramenta inserida poderá ser ejectada com força, podendo provocar ferimentos pessoais.

- ▶ Nunca dê arranque à máquina enquanto estiver a mudar a ferramenta de inserção.
- ▶ Antes de mudar a ferramenta de inserção ou os acessórios, pare a máquina, desligue a alimentação e purgue a máquina, activando o dispositivo de arranque/paragem.
- ▶ Nunca aponte a ferramenta inserida para si próprio, nem para outra pessoa.
- ▶ Antes de dar arranque à máquina, certifique-se de que a ferramenta de inserção está totalmente inserida, e que o retentor da ferramenta está na posição de travamento.
- ▶ Verifique a função de travamento, puxando para fora com força a ferramenta inserida.

▲ ATENÇÃO Deslocação / desencaixe da ferramenta de inserção

As dimensões incorrectas do encabadouro da ferramenta inserida podem provocar a perda da ferramenta inserida, ou fazer com que ela se desencaixe durante a operação da máquina. Há o risco de ferimentos graves, ou de esmagamento de mãos e dedos.

- ▶ Verifique se as dimensões e o comprimento do encabadouro da ferramenta de inserção são correctos para o que a máquina está preparada.
- ▶ Nunca use uma ferramenta de inserção sem uma gola.

Operação, precauções

▲ PERIGO Perigo de explosão

Se uma ferramenta de inserção quente entrar em contacto com explosivos, poderá ocorrer uma explosão. Durante a operação com certos materiais, bem como o uso de certos materiais em peças da máquina, podem ocorrer faíscas e ignição. As explosões podem provocar ferimentos graves ou morte.

- ▶ Nunca opere a máquina num ambiente explosivo.
- ▶ Nunca use a máquina ao pé de materiais inflamáveis, vapores inflamáveis ou poeiras inflamáveis.
- ▶ Certifique-se de que não existem fontes de gás ou explosivos ocultos.
- ▶ Nunca faça perfurações num buraco antigo.

▲ ATENÇÃO Movimentos inesperados

A ferramenta inserida está exposta a grandes esforços quando a máquina está em utilização. A ferramenta inserida pode partir-se devido a fadiga, depois de um certo tempo de uso. Se ferramenta inserida se partir ou se ficar agarrada, pode haver movimentos súbitos e inesperados, que podem provocar ferimentos. Para além disso, se perder o equilíbrio ou escorregar, isso poderá provocar ferimentos.

- ▶ Certifique-se de que mantém sempre uma posição estável, com os pés afastados à distância dos seus ombros, e mantendo o peso do seu corpo sempre em equilíbrio.
- ▶ Inspeccione sempre o equipamento antes de o usar. Nunca use o equipamento se suspeitar que este se encontra danificado.
- ▶ Certifique-se de que as pegadas estão limpas e sem massa consistente nem óleo.
- ▶ Mantenha os seus pés afastados da ferramenta inserida.
- ▶ Mantenha-se firmemente de pé e segure sempre a máquina com as duas mãos.
- ▶ Nunca faça perfurações num buraco antigo.
- ▶ Nunca arranque a máquina quando ela está deitada no chão.
- ▶ Nunca “ande a cavalo” na máquina com uma perna por cima da pega.
- ▶ Nunca bata na máquina nem lhe faça maus-tratos.
- ▶ Verifique regularmente se não há desgaste na ferramenta de inserção, e procure sinais de danos ou rachas visíveis.

- ▶ Preste atenção e olhe para aquilo que está a fazer.

▲ ATENÇÃO Perigo de perda de velocidade

Se a ferramenta de inserção ficar presa durante o funcionamento, todo o equipamento começará a girar se o utilizador perder o controlo. Esta rotação inesperada da máquina como um todo pode causar ferimentos graves ou morte.

- ▶ Fique de pé firmemente e segure sempre a máquina com as duas mãos.
- ▶ Certifique-se de que as pegadas se encontram limpas e livres de massa consistente e óleo.
- ▶ Nunca faça perfurações num buraco antigo.

▲ ATENÇÃO Perigo de ficar preso

Se pegar ou tocar numa broca ou acessórios em rotação, corre o risco de ser puxado ou ficar preso pelo pescoço (se usar fio), pelo cabelo, pelas luvas e pela roupa. Isso pode causar asfixia, escarpelamento, lacerações ou morte. Para reduzir o risco:

- ▶ Nunca pegar ou tocar numa broca em rotação.
- ▶ Evitar vestir roupas, fios ou luvas que possam prender.
- ▶ Cobrir cabelo longos com uma rede de cabelo.

▲ ATENÇÃO Perigos de poeiras e fumos

Poeiras e/ou fumos gerados ou dispersados quando a máquina é utilizada podem causar doenças respiratórias graves e permanentes, doenças ou outras lesões corporais (por exemplo, silicose ou outras doenças irreversíveis dos pulmões que possam ser fatais, cancro, defeitos congénitos, e/ou inflamação da pele).

Algumas poeiras e fumos criados por perfuração, demolição, martelamento, serração, rectificação e outras actividades de construção contêm substâncias conhecidas pelo Estado da Califórnia e outras autoridades como sendo causadoras de doença respiratória, cancro, defeitos congénitos, ou outros danos de reprodução. Alguns exemplos dessas substâncias são:

- A sílica cristalina, o cimento, e outros produtos de alvenaria.
- Arsénico e crómio da borracha quimicamente tratada.
- Chumbo de tintas com base de chumbo.

As poeiras e os fumos no ar podem ser invisíveis a olho nu, portanto não se fie na visão para determinar se há fumos ou poeiras no ar.

Para reduzir o risco de exposição às poeiras e aos fumos, tome todas as acções seguintes:

- ▶ Faça uma avaliação de riscos específica para o local de trabalho. A avaliação de riscos deverá incluir poeiras e fumos criados pela utilização da máquina, bem como o potencial para levantar poeiras já existentes.
- ▶ Use controlos de engenharia adequados, para reduzir ao mínimo as poeiras e os fumos no ar, e para minimizar a acumulação em equipamentos, superfícies, vestuário e partes do corpo. Exemplos de tais controlos incluem: sistemas de ventilação de saída e de recolha de poeira, pulverizações de água, e perfuração acompanhada de injeção de água. Controle poeiras e fumos na origem, sempre que possível. Certifique-se de que tais controlos estão correctamente instalados, em bom estado de manutenção, e que são correctamente usados.
- ▶ Ponha, faça a manutenção e use correctamente a protecção respiratória, conforme as instruções do seu empregador e conforme exigido pelos regulamentos de Saúde e Segurança. A protecção respiratória tem obrigatoriamente que ser eficaz para o tipo de substância em questão (e, se aplicável, que ser aprovada pela entidade governamental adequada).
- ▶ Trabalhe numa área bem ventilada.
- ▶ Se a máquina tiver um escape, dirija o escape por forma a reduzir a perturbação de poeiras num ambiente cheio de poeiras.

- ▶ Opere e faça a manutenção da máquina conforme recomendado nestas instruções de operação e segurança.
- ▶ Selecione, faça a manutenção e substitua consumíveis, ferramentas de inserção e outros acessórios conforme recomendado nas instruções de Operação e Segurança. A selecção incorrecta ou a falta de manutenção de consumíveis, ferramentas de inserção e outros acessórios pode causar um aumento desnecessário das poeiras ou dos fumos.
- ▶ Utilize vestuário lavável ou descartável no seu local de trabalho, e tome um duche e vista roupas lavadas antes de deixar o local de trabalho para reduzir a sua exposição a poeiras e fumos, assim como a de outras pessoas, carros, casas, e outras áreas.
- ▶ Evite comer, beber e usar produtos de tabaco em áreas onde haja poeiras ou fumos.
- ▶ Lave bem as suas mãos e a sua cara assim que possível depois de sair da área de exposição, e sempre antes de comer, beber, usar produtos de tabaco, ou entrar em contacto com outras pessoas.
- ▶ Cumpra todas as leis e regulamentos aplicáveis, incluindo regulamentos de Saúde e Segurança no Trabalho.
- ▶ Participe na monitorização do ar, em programas de exames médicos, e em programas de formação em segurança oferecidos pelo seu empregador ou por organizações laborais, e de acordo com os regulamentos e recomendações de Saúde e Segurança no trabalho. Seja consultado por médicos com experiência em medicina do trabalho do tipo relevante.
- ▶ Colabore com o seu empregador e com organizações laborais para reduzir a exposição a poeiras e fumos no local de trabalho e para reduzir os riscos. Com base no conselho de peritos de Saúde e Segurança, deverão ser definidos e implementados programas, políticas e procedimentos eficazes de Saúde e Segurança para a protecção dos trabalhadores e de terceiros contra a exposição prejudicial a poeiras e fumos. Aconselhe-se com peritos.

▲ ATENÇÃO Projécteis

Uma falha da peça de trabalho, dos acessórios, ou até mesmo da própria máquina, pode gerar projécteis de alta velocidade. Durante a operação da máquina, as lascas ou quaisquer outras partículas do material de trabalho podem tornar-se projécteis e provocar ferimentos pessoais, atingindo o operador ou quaisquer outras pessoas. Para reduzir estes riscos:

- ▶ Use equipamento pessoal de protecção e capacete de segurança, incluindo protecção para os olhos que seja resistente ao impacto e que tenha protecção lateral.
- ▶ Certifique-se de que não há pessoas não autorizadas na zona de trabalho.
- ▶ Mantenha o local de trabalho livre de objectos estranhos.
- ▶ Certifique-se de que a peça de trabalho está fixada de forma segura.

▲ ATENÇÃO Risco de estilhaços

Se a ferramenta de inserção for usada como uma ferramenta de impacto manual, daí podem resultar estilhaços que atinjam o operador, podendo causar ferimentos pessoais.

- ▶ Nunca use uma ferramenta de inserção como uma ferramenta de impacto manual. São especialmente concebidas e tratadas a quente, e só podem ser usadas numa máquina.

▲ ATENÇÃO Riscos de escorregar, tropeçar e cair

Há o risco de escorregar ou tropeçar ou cair, por exemplo tropeçar nas mangueira ou noutros objectos. Escorregar ou tropeçar ou cair pode causar ferimentos. Para reduzir este risco:

- ▶ Certifique-se sempre de que não há nenhuma mangueira ou outros objectos no seu caminho ou no caminho de outra pessoa.
- ▶ Certifique-se sempre de que mantém uma posição estável, com os pés afastados à distância dos seus ombros, e mantendo o peso do corpo equilibrado.

▲ ATENÇÃO Riscos de movimento

Quando usar a máquina para executar actividades relacionadas com o trabalho, pode sentir desconforto nas mãos, braços, ombros, pescoço, ou outras partes do corpo.

- ▶ Adote uma postura confortável, ao mesmo tempo que mantém os pés bem apoiados e que evita posturas incómodas e em desequilíbrio.
- ▶ Mudar a postura durante a execução de tarefas prolongadas pode ajudar a evitar desconforto e fadiga.
- ▶ Em caso de sintomas persistentes ou recorrentes, consulte um profissional de saúde qualificado.

▲ ATENÇÃO Perigo de vibração

A utilização normal e correcta da máquina expõe o operador a vibrações. A exposição regular e frequente à vibração pode provocar, contribuir para ou agravar lesões ou doenças nos dedos, mãos, pulsos, braços, ombros e/ou nervos e alimentação sanguínea ou outras partes do corpo do operador, incluindo lesões ou doenças debilitantes e/ou permanentes que se podem desenvolver gradualmente ao longo de um período de semanas, meses ou anos. Tais lesões ou distúrbios podem incluir danos nos sistemas circulatório e nervoso, lesões nas articulações, e possíveis danos noutras estruturas corporais.

Se sentir entorpecimento, desconforto recorrente persistente, sensação de queimadura, enrijecimento, latejar, formigueiros, dores, descoordenação, falta de força nas mãos, embranquecimento da pele, ou outros sintomas a qualquer altura quando utilizar a máquina, ou quando não a estiver a utilizar, não deve retomar a utilização da mesma e deve consultar um médico. A utilização continuada da máquina após a ocorrência de tais sintomas pode aumentar o risco do agravamento e/ou permanência dos mesmos.

Opere e faça a manutenção da máquina conforme recomendado nestas instruções, para evitar o aumento desnecessário das vibrações.

Os seguintes passos podem ajudar a reduzir a exposição do operador às vibrações:

- ▶ Deixe a ferramenta fazer o trabalho. Faça o mínimo de força de aperto com as mãos: apenas o suficiente para garantir um bom controlo e a operação em segurança.
- ▶ Se a máquina tiver pegadas absorvedoras de vibrações, mantenha-as numa posição central, evite pressionar as pegadas nos batentes de extremo.
- ▶ Quando o mecanismo de percussão está activado, a única parte do seu corpo que deve estar em contacto com a máquina são as suas mãos sobre a pega ou as pegadas. Evite qualquer outro contacto, como por exemplo, apoiar qualquer parte do corpo contra a máquina, ou inclinar-se sobre a máquina para tentar aumentar a força de avanço. É também importante que não tenha o dispositivo de arranque e paragem activado enquanto tirar a ferramenta da superfície de trabalho partida.

- ▶ Certifique-se de que a ferramenta inserida está em bom estado de manutenção (incluindo se está afiada, se for uma ferramenta de corte), não está desgastada, e é do tamanho correcto. Quando as ferramentas de inserção não estão em bom estado de manutenção, ou estão desgastadas, ou não possuem o tamanho correcto, então irá precisar de mais tempo para completar a tarefa (e um maior período de exposição a vibrações), o que pode originar ou contribuir para níveis mais elevados de exposição a vibrações.
- ▶ Pare imediatamente de trabalhar se a máquina começar de repente a vibrar fortemente. Antes de voltar ao trabalho, certifique-se de que encontrou e corrigiu a causa do aumento de vibrações.
- ▶ Nunca agarre, pegue, nem toque na ferramenta inserida enquanto a máquina estiver a trabalhar.
- ▶ Participe na vigilância ou monitorização do estado de saúde, em exames médicos e em programas de formação oferecidos pelo seu empregador, e quando exigido por lei.
- ▶ Quando trabalhar em condições de tempo frio, vista roupas quentes e mantenha as mãos quentes e secas.

Veja a “Declaração de ruído e vibração” da máquina, incluindo os valores de vibração declarados. Estas informações estão no final destas instruções de Segurança e Operação.

- ◆ Siga as recomendações em termos de pressão de ar ao operar o equipamento. Tanto uma pressão de ar excessiva como insuficiente têm o potencial de resultar em elevados níveis de vibração.

▲ PERIGO Perigo eléctrico

A máquina não tem isolamento eléctrico. Se a máquina entrar em contacto com fontes de electricidade, isso pode provocar ferimentos graves ou morte.

- ▶ Nunca opere a máquina ao pé de qualquer cabo eléctrico, ou de outra fonte de electricidade.
- ▶ Certifique-se de que não existem cabos ocultos, ou quaisquer outras fontes de electricidade, na área de trabalho.

▲ ATENÇÃO Perigo de objectos ocultos

Durante a operação, os cabos e tubos ocultos constituem um perigo que pode provocar ferimentos graves.

- ▶ Verifique a composição do material, antes de começar a usar a máquina.
- ▶ Tenha cuidado com cabos e tubos ocultos, por exemplo, de electricidade, telefone, água, gás, esgotos, etc.
- ▶ Se lhe parecer que a ferramenta inserida atingiu um objecto oculto, desligue a máquina imediatamente.
- ▶ Antes de voltar ao trabalho, certifique-se de que não há qualquer perigo.

▲ ATENÇÃO Arranque involuntário

O arranque involuntário da máquina pode provocar ferimentos.

- ▶ Mantenha as mãos longe do dispositivo de arranque e paragem até estar pronto para dar arranque à máquina.
- ▶ Aprenda a como desligar a máquina em caso de emergência.
- ▶ Solte imediatamente o dispositivo de arranque/paragem em todos os casos de interrupção de alimentação.
- ▶ Sempre que montar ou desmontar a ferramenta de inserção, desligue a alimentação de ar comprimido, purgue a máquina activando o dispositivo de arranque/paragem, e remova a alimentação da máquina.

▲ ATENÇÃO Perigo de ruído

Níveis de ruído altos podem causar perda de audição permanente e deficiência na audição, bem como outros problemas tais como tinnitus (campainhas, zumbidos, apitos ou barulhos surdos nos ouvidos). Para reduzir os riscos e prevenir um aumento desnecessário nos níveis de ruído:

- ▶ É essencial a avaliação de risco destes perigos e a implementação de controlos adequados.
- ▶ Opere e faça a manutenção da máquina conforme recomendado nestas instruções.
- ▶ Seleccione, faça a manutenção e substitua a ferramenta de inserção conforme recomendado nestas instruções.
- ▶ Se a máquina tiver um silenciador, certifique-se de que está aplicado e que está em boas condições de funcionamento.
- ▶ Use sempre protecção para a audição.
- ▶ Use material de amortecimento para evitar que as peças de trabalho “toquem” como uma campainha.

Manutenção, precauções

▲ ATENÇÃO Modificação da máquina

As modificações feitas à máquina poderão resultar em danos físicos para si ou terceiros.

- ▶ Nunca faça modificações à máquina. Máquinas modificadas não estão cobertas pela Garantia ou pela Responsabilidade Legal do produto.
- ▶ Utilize sempre peças, ferramentas de inserção e acessórios originais aprovados pela Atlas Copco.
- ▶ Mude imediatamente quaisquer peças danificadas.
- ▶ Substitua os componentes desgastados atempadamente.

▲ CUIDADO Ferramenta de inserção quente

A ponta da ferramenta de inserção pode ficar quente e afiada quando está a ser usada. Se lhe tocar, pode sofrer queimaduras e cortes.

- ▶ Nunca toque numa ferramenta de inserção quente ou afiada.
- ▶ Espere até que a ferramenta de inserção tenha arrefecido, antes de fazer tarefas de manutenção.

▲ ATENÇÃO Riscos da ferramenta de inserção

Se a alimentação estiver ligada à máquina, a activação acidental do dispositivo de arranque/paragem durante a manutenção ou instalação pode causar ferimentos graves.

- ▶ Nunca inspeccione, limpe, instale ou desmonte a ferramenta de inserção quando a alimentação estiver ligada à máquina.

Armazenamento, precauções

- ◆ Guarde a máquina e as ferramentas num local seguro, fora do alcance de crianças e trancado.

Visão geral

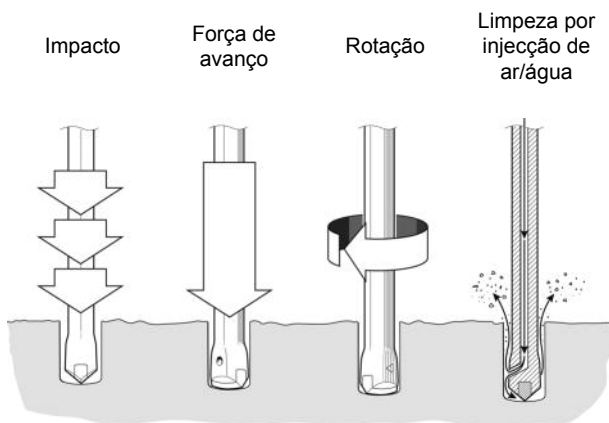
Para reduzir o risco de ferimentos graves ou morte para si ou para terceiros, antes de usar a máquina leia a secção das Instruções de Segurança, que está nas páginas anteriores deste manual.

Concepção e função

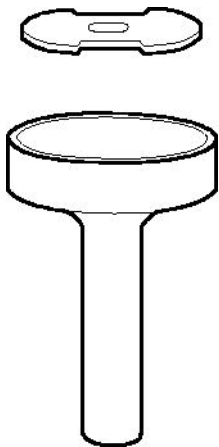
O RH 571, RH 572 e RH 658 são perfuradores de rocha pneumáticos concebidos para perfuração vertical, perfuração de furos para tampões, e perfuração em betão, para aplicações em construção civil e exploração mineira. Nenhuma outra utilização é permitida.

Para escolher as ferramentas de inserção correctas, contacte o seu concessionário Atlas Copco.

Princípio de funcionamento de um perfurador de rocha

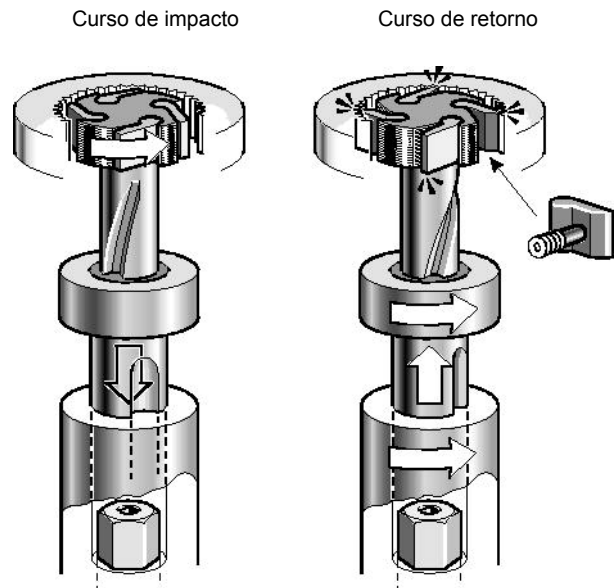


Mecanismo da válvula de controlo



A válvula direcciona o ar alternadamente de um lado para o outro do êmbolo, para que este se mova para cima e para baixo. O êmbolo transmite a energia através da broca de aço para o fundo do furo.

Mecanismo de rotação

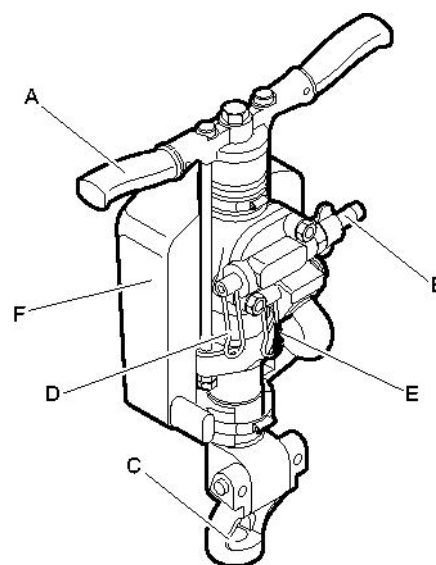


A broca de aço é feita rodar ligeiramente com cada impacto, pela rotação da barra raiada. A rotação é no sentido contrário aos ponteiros do relógio e é aplicada no curso de retorno do êmbolo.

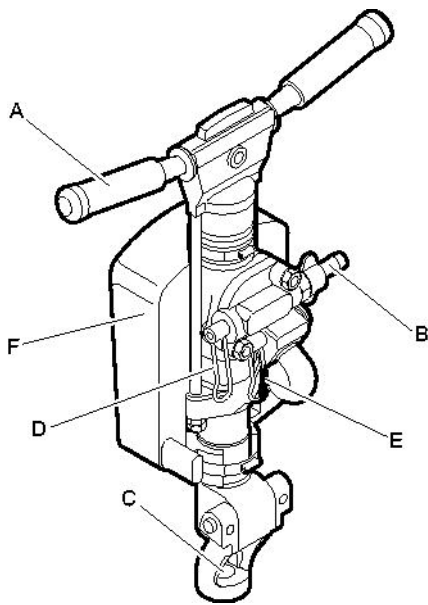
Limpeza por injeção de ar/água

A limpeza por injeção de ar/água é conduzida através de um furo no êmbolo. Isto significa que a limpeza por injeção de ar/água ocorre assim que o ar comprimido é ligado.

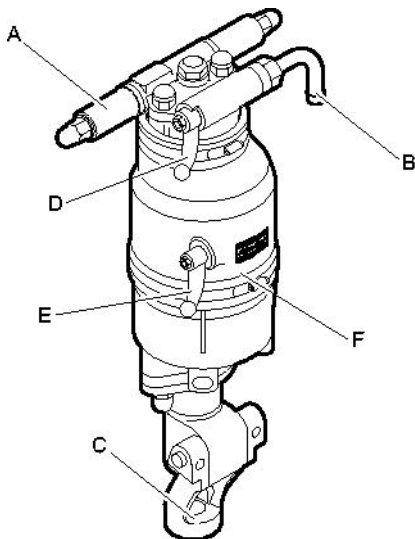
Peças principais



RH 571-5L/LS



RH 572E



RH 658L/LS

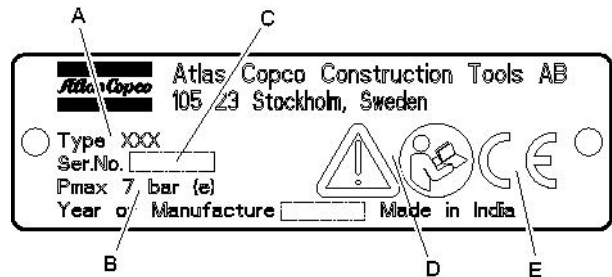
- A. Pega
- B. Bocal de entrada de ar
- C. Retentor da broca de aço
- D. Alavanca de aceleração
- E. Alavanca de descarga de ar adicional
- F. Painel de escape (opcional)

Autocolantes

A máquina está equipada com autocolantes que mostram informação importante sobre a segurança pessoal do operador e a manutenção da máquina. Os autocolantes devem estar em boas condições que permitam a sua leitura com facilidade. Novos

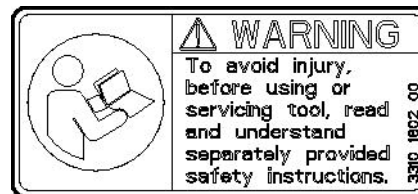
autocolantes podem ser encomendados a partir da lista de peças sobressalentes.

Placa de dados



- A. Tipo de máquina
- B. Pressão máxima permitida de ar comprimido
- C. Número de série
- D. O símbolo de atenção, juntamente com o símbolo de livro, significa que o utilizador tem que ler as instruções de segurança e operação antes de poder utilizar o equipamento pela primeira vez.
- E. O símbolo CE significa que a máquina está aprovada pela CE. Consulte a Declaração CE que é fornecida com o equipamento para obter mais informações. Se o símbolo CE não estiver presente, isso significa que a máquina não está aprovada pela CE.

Autocolante de segurança



Para evitar ferimentos, antes de operar ou fazer manutenção na ferramenta, leia e compreenda as instruções de segurança, fornecidas em separado.

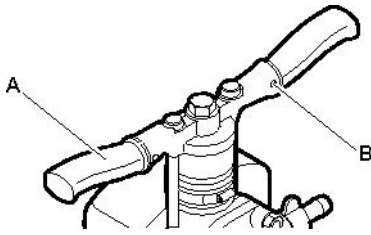
Instalação

Desembalar o perfurador de rocha

Protecções de plástico

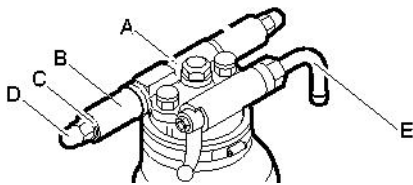
Antes de utilizar o perfurador de rocha pela primeira vez, deve remover todas as protecções plásticas dos bocais de mangueira, dos orifícios de ventilação, e do casquilho rotativo.

Montagem



RH 571-5L/LS

- 1) Empurre os casquilhos e as pegas (A) sobre cada um dos lados da cabeça traseira.
- 2) Fixe as pegas em segurança, martelando os pinos de mola (B) dentro da cabeça traseira.



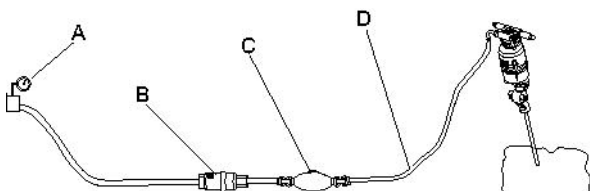
RH 658L/LS

- 1) Aplique o parafuso da pega (A) na cabeça traseira.
- 2) Ponha os punhos (B) em cada um dos lados do parafuso da pega.
- 3) Fixe os punhos em segurança com uma anilha (C) e uma porca de cobertura (D) em ambos os lados.
- 4) Enrosque o bocal da mangueira (E) na entrada de ar, até estar bem apertado.

Lubrificar

Depois de desembalar e instalar a ferramenta, despeje uma quantidade abundante de óleo de lubrificação na ligação de ar.

Mangueiras e ligações



- A. Fonte de ar comprimido
- B. Separador de água (opcional)
- C. Lubrificador (opcional)
- D. Mangueira de ar comprimido entre o lubrificador e o equipamento com um máx. de 3 metros.

- ◆ Verifique se está a utilizar a pressão de funcionamento correcta recomendada, 6 bar (e).
- ◆ A máxima pressão de ar permitida, 7 bar (e), não pode ser excedida.
- ◆ Sopre quaisquer impurezas da mangueira de ar comprimido antes de a ligar ao equipamento.
- ◆ Seleccione a dimensão e comprimentos correctos para a mangueira de ar comprimido. No caso de mangueiras até 30 metros de comprimento, deve utilizar uma mangueira com um diâmetro interior mínimo de 19 mm (3/4"). Se o comprimento da mangueira for de 30 a 100 metros, deve utilizar uma mangueira com um diâmetro interior mínimo de 25 mm (1").

Métodos para evitar o congelamento

Pode ocorrer a formação de gelo no silenciador quando a temperatura ambiente for de 0 a 10° C (de 32 a 50 °F), e a humidade relativa for elevada.

O equipamento é concebido para evitar a formação de gelo no silenciador. Apesar disso, pode formar-se gelo no silenciador, em condições extremas.

Tome as seguintes medidas para neutralizar ainda mais o risco de formação de gelo:

- ◆ Use o Atlas Copco Rock Drill AIR-OIL como lubrificante.
- ◆ Use o separador de água VAM 5A.

Se houver formação de gelo no martelo perfurador de rocha, nunca o aqueça para derreter o gelo. Deixe sempre o gelo derreter à temperatura ambiente.

Nunca despeje álcool metílico ou outras substâncias semelhantes para dentro do martelo perfurador de rocha, porque irão interferir na lubrificação e isso irá aumentar o desgaste.

Conectar o separador de água

O comprimento da mangueira de ar entre o compressor e o separador de água tem de permitir que o vapor de água arrefeça e condense na mangueira antes de atingir o separador de água.

Se a temperatura ambiente for abaixo dos 0°C (32°F), a mangueira tem de ser suficientemente curta para prevenir que a água congele antes de atingir o separador de água.

Lubrificação

O martelo perfurador de rocha é lubrificado com óleo misturado com ar comprimido, que é levado às peças que necessitam de lubrificação contínua. O óleo é doseado no ar comprimido, utilizando um lubrificador Atlas Copco CLG 30 ligado à linha de ar.

Use o Atlas Copco AIR-OIL para Martelos Perfuradores de Rocha, o qual é especialmente concebido para os martelos pneumáticos perfuradores de rocha BBC, BBD e RH. O AIR-OIL para Martelos Perfuradores de Rocha é prontamente biodegradável, em conformidade com a norma OECD 301, e forma uma película de alta resistência que suporta cargas intensas. Se não estiver disponível AIR-OIL para Martelos Perfuradores de Rocha, então use um óleo de base mineral para ferramentas a ar com as propriedades recomendadas na tabela abaixo.

Amplitude de temperatura (°C)	Grau de viscosidade (ISO 3448)
-30 a 0	ISO VG 32-68
-10 a +20	ISO VG 68-100
+10 a +50	ISO VG 100-150

Ajuste de pressão

Pressão de ar

Certifique-se de que o compressor pode fornecer a pressão de ar necessária (de 4 a 6 bar) para a ferramenta.

1. A pressão alta causa um funcionamento irregular e um desgaste excessivo.
2. A baixa pressão resulta numa velocidade de perfuração lenta.

Calibre a pressão de ar correcta

Use o manómetro de pressão Atlas Copco (**9090 0550 80**) para verificar a pressão do ar quando o martelo perfurador de rocha estiver a funcionar. A pressão deve ser medida junto ao bocal de entrada. A pressão máxima de funcionamento é de 6 bar.



O medidor de pressão está equipado com uma agulha que é pressionada para dentro da mangueira, para medir a pressão no seu interior.

Broca de aço

⚠ ATENÇÃO Ferramenta de inserção ejetada

Se o retentor da ferramenta na máquina não estiver na posição de travamento, a ferramenta inserida poderá ser ejetada com força, podendo provocar ferimentos pessoais.

- ▶ Antes de mudar a ferramenta de inserção, pare a máquina, desligue o fornecimento de ar comprimido e purgue o equipamento activando o dispositivo de arranque/paragem.

Antes de colocar a broca de aço

Verifique se o encabadouro da ferramenta tem a dimensão e o comprimento correctos para o casquilho a ser utilizado. O encabadouro tem que estar limpo e a ferramenta tem que estar em boas condições. Os encabadouros que estiverem lascados, arredondados, desenquadrados e demasiado rígidos na extremidade de impacto irão funcionar de forma ineficiente e causar falhas prematuras do êmbolo.

Inspeccione a broca de aço:

Uma broca de aço lenta irá abrandar a velocidade de perfuração e esforçar demasiado o mecanismo de perfuração. Quando mudar a broca de aço certifique-se de que a nova tem a dimensão correcta para continuar a sua perfuração anterior.

Antes de começar a perfuração, verifique se o orifício de limpeza por injeção de ar/água da broca de aço não está bloqueado.

▲ CUIDADO Ferramenta de inserção quente

A ponta da ferramenta de inserção pode ficar quente e afiada quando está a ser usada. Se lhe tocar, pode sofrer queimaduras e cortes.

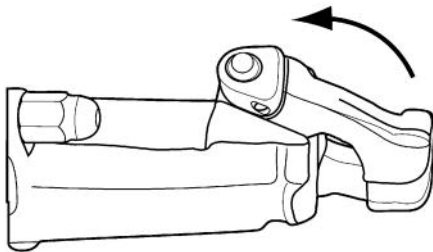
- ▶ Nunca toque numa ferramenta de inserção quente ou afiada.
- ▶ Espere até que a ferramenta de inserção tenha arrefecido, antes de fazer tarefas de manutenção.

AVISO Nunca use água para arrefecer uma ferramenta de inserção quente, porque isso pode tornar a ferramenta quebradiça e levá-la a falhar antes do tempo.

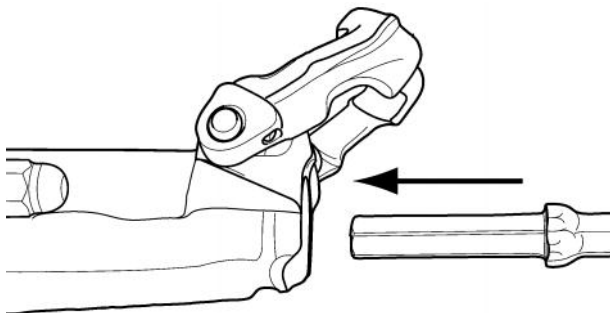
Colocar a broca de aço

Sempre que colocar a broca de aço, é obrigatório cumprir as seguintes instruções:

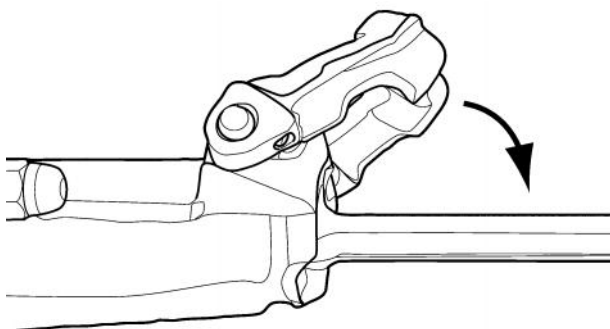
1. Empurre o retentor para fora na direcção da seta até que a parte da frente do retentor consiga acomodar o aro da broca de aço.



2. Insira a broca de aço no casquilho.

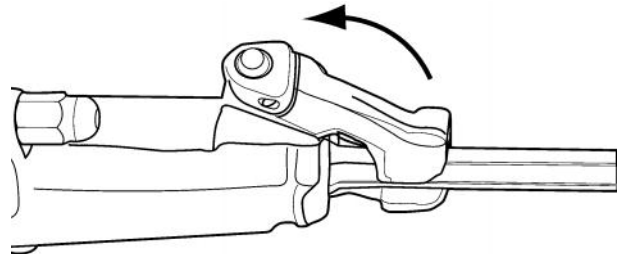


3. Quando a broca bater no fundo, empurre o retentor para trás de modo a trancá-lo.

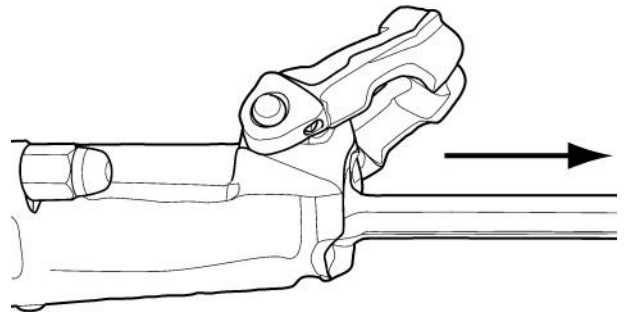
**Remover a broca de aço**

Sempre que remover a broca de aço, é obrigatório cumprir as seguintes instruções:

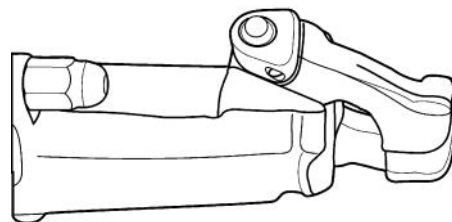
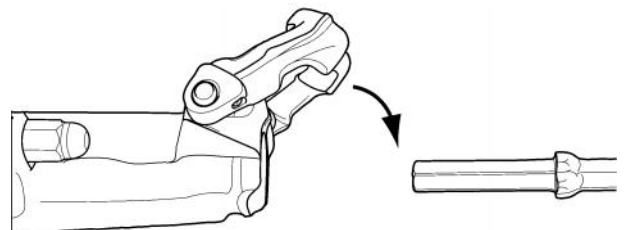
1. Empurre o retentor para trás na direcção da seta até que o aro da broca de aço se liberte da parte da frente do retentor.



2. Puxe a broca de aço para fora.



3. Empurre o retentor para trás.



Operação

▲ ATENÇÃO Arranque involuntário

O arranque involuntário da máquina pode provocar ferimentos.

- ▶ Mantenha as mãos longe do dispositivo de arranque e paragem até estar pronto para dar arranque à máquina.
- ▶ Aprenda a como desligar a máquina em caso de emergência.
- ▶ Pare a máquina imediatamente em todos os casos de interrupção de alimentação.

Preparações antes de arrancar

Verifique o equipamento de perfuração

- ◆ Verifique se todo o equipamento de perfuração está em boas condições de funcionamento.
- ◆ Verifique se a superfície de impacto do encabadouro da broca de aço está lisa, sem sinais de desgaste.
- ◆ Certifique-se de que a entrada de ar e as portas de escape estão livres de obstruções.
- ◆ Certifique-se de que os orifícios de limpeza por injeção de ar/água da broca de aço e do trépano não estão obstruídos, e que o ar/água de limpeza correm sem impedimentos.
- ◆ Certifique-se de que o filtro de ar (localizado no bocal de ar) está limpo e que não está rasgado nem distorcido.
- ◆ Certifique-se de que os acessórios estão bem fixados e à prova de fugas.

▲ PERIGO Chicotada das mangueiras de ar

Um mangueira de ar comprimido que se solte pode causar ferimentos pessoais ou morte

- ▶ Certifique-se de que as mangueiras de ar comprimido e as ligações não estão danificadas.
- ▶ Certifique-se de que as mangueiras de ar comprimido e as ligações estão bem presas.

Faça uma descarga de ar pela mangueira de ar

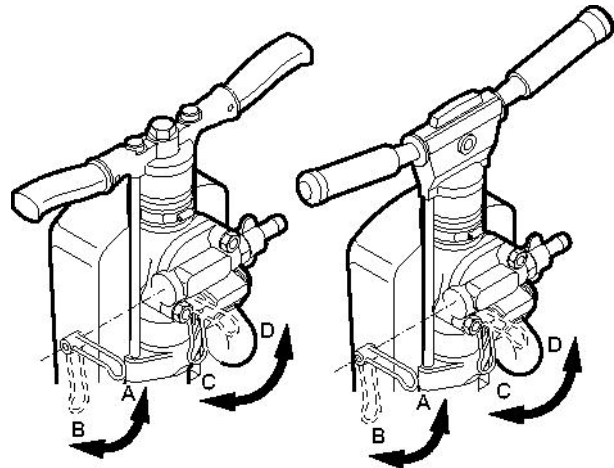
- ◆ Diariamente, antes de utilizar o martelo perfurador, faça uma descarga de ar pela mangueira de ar, para a limpar de qualquer sujidade e humidade acumuladas.

Encha o lubrificador com óleo

- ◆ Certifique-se de que o casquilho e o encabadouro da broca de aço estão sempre cobertos por uma película de óleo.

Controlos

Alavanca de aceleração

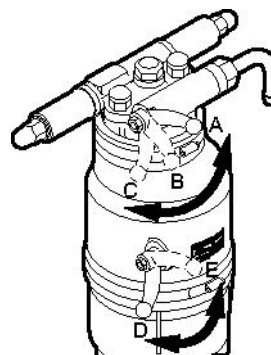


RH 571-5L/LS

RH 572E

O martelo perfurador de rocha vem equipado com uma alavanca de aceleração para regular o ar comprimido para o mecanismo de percussão, e com uma alavanca de descarga de ar para limpeza por descarga de ar adicional.

- A. Válvula de aceleração fechada (posição de paragem)
- B. Alavanca de aceleração completamente aberta
- C. Válvula de descarga de ar fechada (posição de paragem)
- D. Válvula de descarga de ar completamente aberta



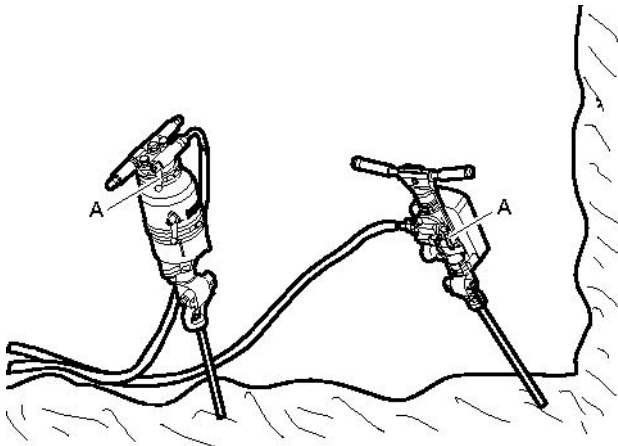
RH 658L/LS

O perfurador de rocha vem equipado com uma alavanca de aceleração para regular o ar comprimido para o mecanismo de percussão, e com uma alavanca de descarga de ar para limpeza por descarga de ar adicional.

- A. Válvula de aceleração fechada (posição de paragem)
- B. Alavanca de aceleração meio-aberta
- C. Alavanca de aceleração completamente aberta
- D. Válvula de descarga de ar fechada (posição de paragem)
- E. Válvula de descarga de ar completamente aberta

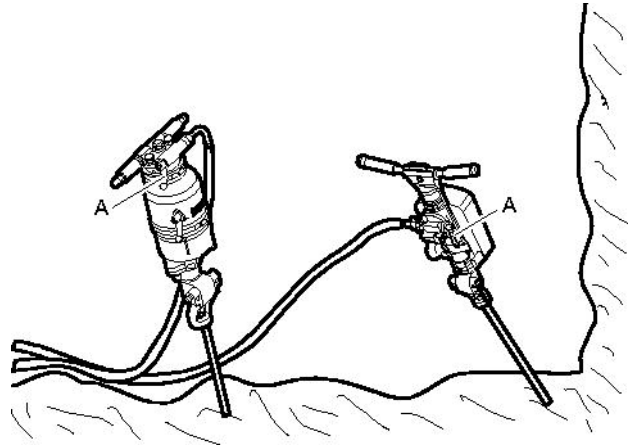
Arranque e paragem

Dar arranque ao martelo perfurador de rocha



1. Abra a válvula principal de ar comprimido.
2. Alinhe o martelo perfurador de rocha de modo a que a broca de aço toque no ponto de martelamento pretendido.
3. Mova a alavanca de aceleração (A) um pouco para a frente, o que irá começar a percussão e a rotação.
4. Martele o orifício com uma força de avanço reduzida.
5. Mova a alavanca de aceleração (A) toda para a frente assim que a broca de aço tiver ganho uma base segura na rocha.

Parar o martelo perfurador de rocha



1. Puxe a alavanca do acelerador (A) para trás, para a posição de fechado, o que irá parar a percussão e a rotação.

Funcionamento

Perfurar

- ◆ Utilize sapatos, luvas e capacete de protecção, protectores de ouvidos e protecção para os olhos resistente ao impacto, com protecção lateral.
- ◆ Fique de pé firmemente e segure sempre a máquina com as duas mãos.
- ◆ Empurre a ferramenta inserida com firmeza contra a superfície de trabalho antes de pôr a máquina a trabalhar.

Ao fazer uma pausa

- ◆ Durante todas as pausas, terá de pôr a máquina numa posição em que não haja risco de arranque accidental. Certifique-se de que põe a máquina no chão, de maneira a que não possa cair.
- ◆ Na eventualidade de um intervalo de maior duração ou quando sair do local de trabalho: desligue a alimentação e, em seguida, purgue a máquina, activando o dispositivo de arranque/paragem.

Manutenção

Fazer manutenção regular à máquina é essencial para que a máquina possa continuar a ser utilizada com eficiência e em segurança. Siga cuidadosamente as instruções de manutenção.

- ◆ Antes de começar a manutenção da máquina, limpe-a para evitar exposição a substâncias perigosas. Veja “Perigos de poeiras e fumos”
- ◆ Utilize só peças autorizadas. Quaisquer danos ou mau funcionamento causados pela utilização de peças não autorizadas não estão cobertos pela Garantia ou pela Responsabilidade Legal do Produto.
- ◆ Quando limpar peças mecânicas com solvente, cumpra os regulamentos apropriados de Saúde e Segurança, e certifique-se de que há ventilação suficiente.
- ◆ Para fazer uma grande revisão/reparação à máquina, contacte a sua oficina autorizada mais próxima.
- ◆ Depois de cada assistência, certifique-se de que o nível de vibração da máquina é normal. Se não for, contacte a sua oficina autorizada mais próxima.

Diferenças entre peças de origem e peças standard

Quando comprar uma peça, a primeira coisa a fazer é verificar se essa peça é uma peça Atlas Copco. Na sua maioria, as peças podem ser identificadas.



Geralmente, as peças dos martelos perfuradores de rocha estão assinaladas com a referência e a marca de identidade da Atlas Copco, que é um círculo com um martelo perfurador de rocha. Em alguns casos, a peça está assinalada apenas com o círculo ou apenas com o número de peça.

As peças de borracha e de plástico normalmente não estão assinaladas.

Os concorrentes que copiam as nossas peças muitas vezes assinalam as peças maiores e mais caras. Algumas peças têm apenas o número de peça, mas outras também têm uma marca de identidade sob a forma das iniciais do nome do fabricante. Os números de peça das peças standard são, na maioria, gravados à mão, o que resulta em irregularidades. Os números de peça gravados pela Atlas Copco são regulares e os algarismos individuais são do mesmo tamanho. Para além disso,

a profundidade dos algarismos e o espaçamento entre os mesmos em cada grupo são os mesmos.

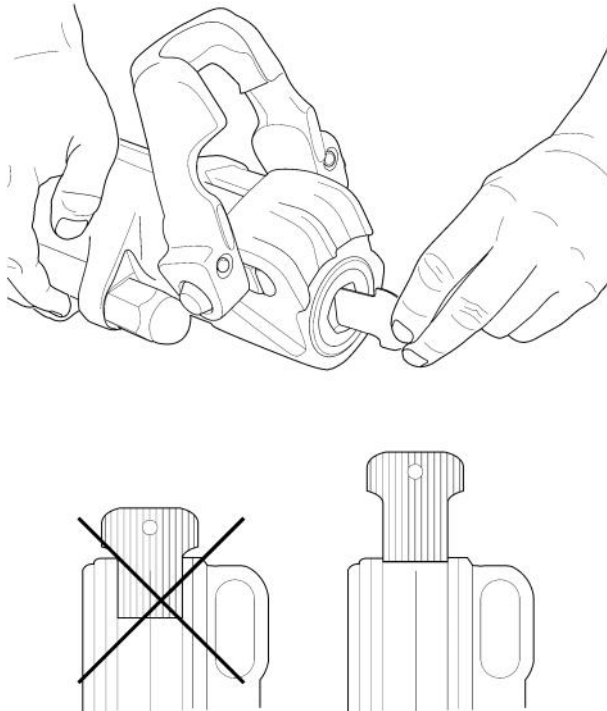
Diariamente

Em máquinas pneumáticas, antes de efectuar qualquer tarefa de manutenção ou de mudança da ferramenta de inserção, desligue sempre o fornecimento de ar e purgue a máquina, pressionando para isso o dispositivo de arranque e paragem, em seguida, remova a mangueira hidráulica da máquina.

- ◆ Limpe e inspecione a máquina e as respectivas funções todos os dias, antes de começar o trabalho.
- ◆ Faça uma inspecção geral, procurando fugas e danos.
- ◆ Verifique se o bocal de entrada de ar está bem apertado, e se o acoplamento de gancho não está danificado.
- ◆ Verifique o funcionamento da pega do acelerador. Certifique-se de que se move livremente para cima e para baixo.
- ◆ Verifique o funcionamento do retentor. Certifique-se de que o retentor trava a broca de aço.
- ◆ Mude imediatamente quaisquer peças danificadas.
- ◆ Substitua os componentes desgastados atempadamente.
- ◆ Verifique os parafusos atravessados da máquina. Certifique-se de que os parafusos estão bem apertados.
- ◆ Se a máquina estiver equipada com uma panela de escape, verifique se há danos.

Inspecção de desgaste

1. Verifique o desgaste no casquilho utilizando o medidor Atlas Copco (**3091 0038 00**) (22 mm). Se o limite de desgaste tiver sido excedido, o encabadouro da broca de aço irá desgastar-se mais rapidamente, ou ficar deformado. Isto irá levar a paragens e a um consumo superior da broca de aço.

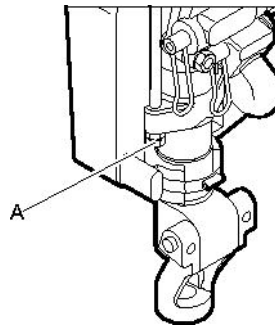


2. Verifique as mangueiras, os acoplamentos e os controlos para ver se existem fugas ou danos.
3. Certifique-se de que o martelo perfurador de rocha é a receber lubrificação suficiente. Encha o lubrificador conforme necessário.
4. Drene o separador de água.

Manutenção periódica

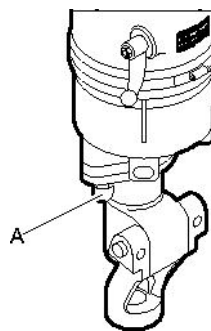
Após cada período de funcionamento de aproximadamente 100 horas de trabalho, ou três vezes por ano, a máquina tem que ser desmontada, e todas as peças limpas e verificadas. Este trabalho tem que ser realizado por pessoal autorizado e qualificado para o efeito.

Binário de aperto



RH 571-5L/LS, RH 572E

- A. Porca do parafuso lateral, 90 Nm (66 ft.lbf)



RH 658L/LS

- A. Porca do parafuso lateral, 125 Nm (92 ft.lbf)

Padrões de danos

As peças gastas ou partidas devem, sempre, ser estudadas cuidadosamente antes de serem substituídas. Estas podem dar informações importantes acerca do estado de conservação do martelo perfurador e da forma como este é utilizado e mantido.

Problema	Causa
As peças de aço apresentam uma cor azulada	As peças foram sujeitas a um calor excessivo. Isto pode ser causado por uma lubrificação insuficiente ou por funcionamento em marcha lenta
As peças de aço têm pequenas fissuras, quase microscópicas, nas superfícies de desgaste	Veja acima
Cavidades irregulares na superfície das peças de bronze	Veja acima
Marcas de cortes	Dano secundário
	Sujidade dentro da broca
	Alinhamento interior incorrecto devido a uma tensão irregular dos parafusos laterais

Armazenamento

- Lubrifique sempre devidamente o martelo perfurador de rocha antes de o armazenar.
- Armazene sempre o equipamento num lugar limpo e seco.
- Certifique-se de que nenhuns corpos estranhos entram no equipamento.
- Proteja o casquilho utilizando o obturador plástico fornecido com o equipamento. Em alternativa, utilize um obturador de madeira ou um pedaço de desperdício de algodão limpo.
- No caso de armazenamento de longo prazo, deite um pouco de óleo directamente na entrada de ar do martelo perfurador de rocha, e depois ligue o ar durante breves instantes. Isso irá proteger o equipamento contra a corrosão.

Abate

Uma máquina abatida deve ser tratada e eliminada de maneira a que maior parte possível do seu material possa ser reciclada, e que qualquer influência negativa sobre o meio-ambiente seja mantida ao nível mais baixo possível, e em conformidade com as restrições locais.

Dados técnicos

Dados da máquina

Modelo	Referência	Diâmetro do êmbolo mm (in.)	Comprimento do curso mm (in.)	Comprimento total mm (in.)	Peso kg (lb)	Dimensão do encabadouro mm (in.)
RH 571-5L	8311 0301 29	55 (2,16)	60 (2,36)	510 20	17,8 (39,2)	22 X 108 (7/8 x 4 1/4)
RH 571-5LS	8311 0301 37	55 (2,16)	60 (2,36)	510 20	18,9 (41,7)	22 X 108 (7/8 x 4 1/4)
RH 572E	8311 0301 78	55 (2,16)	60 (2,36)	583 23	22,8 (50,2)	22 X 108 (7/8 x 4 1/4)
RH 658L	8311 0302 86	65 (2,56)	59 (2,32)	565 22 1/4	24,0 (52,9)	22 X 108 (7/8 x 4 1/4)
RH 658LS	8311 0302 87	65 (2,56)	59 (2,32)	565 22 1/4	25,0 (55,1)	22 X 108 (7/8 x 4 1/4)

Modelo	Consumo de ar (6 bar) l/s (foot ³ /min)	Frequência de impacto (6 bar) Hz	Diâmetro do orifício mm (in.)
RH 571-5L	39 (83)	35	28-34 (1,10-1,34)
RH 571-5LS	39 (83)	33	28-34 (1,10-1,34)
RH 572E	37 (78)	34	28-34 (1,10-1,34)
RH 658L	58 (123)	34	29-40 (1,14-1,57)
RH 658LS	58 (123)	34	29-40 (1,14-1,57)

Declaração de ruído e vibração

Nível de ruído garantido **L_w** de acordo com a ISO 3744 e em conformidade com a directiva 2000/14/CE.

Nível de pressão sonora **L_p** de acordo com a ISO 11203.

Valores das vibrações **A** e incerteza **B** determinado de acordo com ISO20643. Ver a tabela "Dados de ruído e vibração" para os valores de A, B, etc.

Estes valores declarados foram obtidos por meio de ensaios laboratoriais de acordo com a directiva ou as normas declaradas e são adequados para comparação com os valores declarados de outras ferramentas testadas de acordo com as mesmas directivas ou normas. Estes valores declarados não são adequados para utilização em avaliações de risco, e os valores medidos em locais de de trabalho individuais podem ser mais elevados. Os valores reais de exposição e o risco para o utilizador individual são únicos e dependem do modo como o utilizador trabalha, do material em que o equipamento é utilizado, bem como do tempo de exposição e do estado físico do utilizador, e das condições da máquina.

Nós, na Atlas Copco Construction Tools AB, não podemos ser considerados responsáveis pelas consequências de usar os valores declarados em vez de valores que reflectam a exposição real na avaliação de riscos pessoais numa situação de trabalho sobre a qual não temos qualquer controlo.

Esta ferramenta poderá provocar síndrome de vibração da mão-braço, se a respectiva utilização não for gerida correctamente. Pode ser encontrada uma guia da CE para gerir a vibração da mão-braço em <http://www.humanvibration.com/EU/VIBGUIDE.htm>

Recomendamos um programa de supervisão médica para detectar atempadamente possíveis sintomas que possam estar relacionados com a exposição a vibrações, permitindo modificar os procedimentos de gestão para ajudar a evitar uma futura deficiência.

Dados sobre o ruído e vibrações

Modelo	Ruído		Vibração	
	Valores declarados		Valores declarados	
	Pressão sonora	Potência sonora	Valores dos três eixos	
	ISO 11203	2000/14/CE	ISO 20643	
	Lp r=1m dB(A) rel 20µPa	Lw garantido dB(A) rel 1pW	A m/s ² valor	B m/s ² dispersões
RH 571-5L	106	119	23,2	2,8
RH 571-5LS	99	112	23,2	2,8
RH 572E	100	113	9,7	1,9
RH 658L	106	116	21,2	2,6
RH 658LS	99	112	21,2	2,6

Acessórios

Descrição	Nota	Quantidade	Referência
CLG 30, tipo europeu	Para óleos minerais e sintéticos	1	8202 5102 39
BLG 30, tipo europeu	Para óleo mineral	1	8202 5102 05
VAM 01, tipo europeu	Caudal de ar <50 l/s (106 ft ³ /min)	1	8092 0110 58
VAM 5A, tipo europeu	Caudal de ar <120 l/s (254 ft ³ /min)	1	8092 0110 82
Mangueira de borracha, pré-montada	20 mm (¾")	1	9030 2047 00
Mangueira achatada X-LITE, universal	20 mm (¾")	1	9030 2115 00
AIR-OIL para Perfurador de Rocha	4 l	1	8099 0201 04
AIR-OIL para Perfurador de Rocha	10 l	1	8099 0201 10

Declaração de Conformidade da CE

Declaração de Conformidade da CE (Directiva da CE 2006/42/CE)

Nós, Atlas Copco Construction Tools AB, declaramos pela presente que as máquinas listadas abaixo se encontram em conformidade com as provisões da Directiva 2006/42/CE da CE (Directiva de Maquinaria), e com as normas harmonizadas mencionadas abaixo.

Perfuradores de rocha	Referência	Pmax (bar)
RH 571-5L	8311 0301 29	7
RH 571-5LS	8311 0301 37	7
RH 572E	8311 0301 78	7
RH 658L	8311 0302 86	7
RH 658LS	8311 0302 87	7

Representante autorizado para Documentação Técnica:

Erik Sigfridsson
Atlas Copco Constructions Tools AB
Dragonvägen 2
Kalmar

Director Geral:

Erik Sigfridsson

Fabricante:

Atlas Copco Constructions Tools AB
105 23 Stockholm
Sweden

Local e data:

Kalmar, 2010-01-01

ITALIANO

Indice

Introduzione	125
Informazioni sulle istruzioni per la sicurezza e per l'uso	125
Norme di sicurezza	126
Terminologia di sicurezza	126
Precauzioni e qualifiche personali	126
Dispositivi di protezione personale	126
Droghe, sostanze alcoliche o farmaci	126
Installazione, precauzioni	126
Funzionamento, precauzioni	127
Manutenzione, precauzioni	131
Conservazione, precauzioni	131
Avvertenze	132
Modello e funzioni	132
Principio di funzionamento della perforatrice	132
Meccanismo della valvola di controllo	132
Meccanismo di rotazione	132
Spurgo	132
Parti principali	132
Etichette	133
Targhetta dei dati	133
Etichetta di sicurezza	133
Installazione	133
Disimballaggio della perforatrice	133
Ripari in plastica	133
Montaggio	134
Lubrificare	134
Tubi e collegamenti	134
Misure antigelo	134
Collegamento del separatore di condensa	134
Lubrificazione	135
Regolazione di pressione	135
Pressione dell'aria	135
Calibrare l'esatta pressione	135
Punta di perforazione	135
Prima del montaggio della punta di perforazione	135
Montaggio della punta di perforazione	135
Smontaggio della punta di perforazione	136
Funzionamento	137
Preparativi prima dell'accensione	137
Controllare le attrezzature di perforazione	137
Spurgare il flessibile per l'aria	137
Riempire di olio l'oliatore	137
Controlli	137
Leva dell'acceleratore	137
Avviamento e arresto	138
Avvio della perforatrice	138
Arresto della perforatrice	138
Condizioni di esercizio	138
Perforazione	138
Durante le pause della lavorazione	138

Manutenzione	138
Differenza tra parti originali e parti non originali	139
Giornaliera	139
Controllo dell'usura	140
Manutenzione periodica	140
Coppia di serraggio	140
Modalità di danneggiamento	140
Immagazzinamento	141
Smaltimento	141
Dati tecnici	142
Dati della macchina	142
Dichiarazione in materia di rumore e vibrazioni	142
Dati su rumore e vibrazioni	143
Accessori	143
Dichiarazione di conformità CE	144
Dichiarazione di conformità CE (Direttiva CE 2006/42/CE)	144

Introduzione

Grazie per aver scelto un prodotto Atlas Copco. Sin dal 1873 siamo stati impegnati nella ricerca di modi nuovi e migliori per soddisfare le necessità dei nostri clienti. Nel corso degli anni abbiamo messo a punto prodotti di concezione innovativa ed ergonomica per aiutare la nostra clientela a migliorare e razionalizzare il proprio lavoro quotidiano.

Atlas Copco dispone di una rete internazionale di vendita e di assistenza organizzata, costituita di centri di assistenza ai clienti e di distributori ubicati in tutto il mondo. I nostri esperti sono professionisti con una formazione altamente specializzata e dotati di vasta conoscenza dei prodotti e di ampia esperienza sulle loro applicazioni. In tutti gli angoli del mondo, Atlas Copco è in grado di offrire assistenza per i prodotti e la competenza idonea a garantire che i suoi clienti possano lavorare con la massima efficienza in qualunque momento.

Per ulteriori informazioni si prega di visitare il sito: www.atlascopco.com

Atlas Copco Construction Tools AB

105 23 Stockholm

Sweden

Informazioni sulle istruzioni per la sicurezza e per l'uso

Scopo di queste istruzioni è fornire le conoscenze per un uso sicuro ed efficiente della perforatrice con motore a scoppio. Tali istruzioni offriranno inoltre consigli e indicazioni su come eseguire la normale manutenzione della perforatrice.

Quando ci si accinge a utilizzare la perforatrice per la prima volta, leggere queste istruzioni attentamente e accertarsi di averle comprese perfettamente.

Norme di sicurezza

Per ridurre il rischio di lesioni gravi o morte, per se stessi o altre persone, leggere e comprendere le istruzioni sulla sicurezza e l'uso prima di installare, utilizzare, riparare la macchina, eseguirne la manutenzione o modificare gli accessori della macchina.

Affiggere queste istruzioni per la sicurezza e l'uso nelle sedi di lavoro, fornirne copia agli addetti e assicurarsi che tutti le leggano prima di procedere all'uso o alla manutenzione della macchina.

Inoltre, l'operatore o il proprio datore di lavoro dovrebbero valutare i rischi specifici che potrebbero essere presenti come conseguenza di ciascun utilizzo della macchina.

Terminologia di sicurezza

Le parole Pericolo, Attenzione e Prudenza hanno i seguenti significati:

PERICOLO	Indica una situazione di pericolo che, qualora non sia evitata, può provocare gravi lesioni personali o morte.
ATTENZIONE	Indica una situazione di pericolo che, qualora non sia evitata, può provocare gravi lesioni personali o morte.
PRUDENZA	Indica una situazione di pericolo che, qualora non sia evitata, può provocare lievi lesioni personali o di modesta entità.

Precauzioni e qualifiche personali

L'uso e la manutenzione della macchina sono riservati esclusivamente a personale addestrato e qualificato. Questo deve essere in grado di gestire fisicamente la massa, il peso e la potenza dell'utensile. Utilizzare sempre le regole del buon senso.

Dispositivi di protezione personale

Utilizzare sempre dispositivi di protezione approvati. Gli operatori e tutte le altre persone presenti nella zona di lavoro devono indossare i dispositivi di protezione, che comprenderanno almeno:

- Elmetto protettivo
- Protezione acustica
- occhiali di sicurezza resistenti agli urti con protezioni laterali
- protezione delle vie respiratorie, se necessario

- guanti protettivi
- calzature protettive adeguate
- Camice da lavoro idoneo o abbigliamento simile (non largo) che copra braccia e gambe.

Droghe, sostanze alcoliche o farmaci

▲ AVVERTENZA Droghe, sostanze alcoliche o farmaci

Droghe, sostanze alcoliche o farmaci possono compromettere il proprio giudizio e la capacità di concentrazione. Scarsa reattività e valutazioni imprecise possono causare gravi incidenti o morte.

- ▶ Non utilizzare mai la macchina qualora si sia estremamente stanchi o sotto l'effetto di droghe, sostanze alcoliche o farmaci.
- ▶ Persone sotto l'effetto di droghe, sostanze alcoliche o farmaci non possono utilizzare la macchina.

Installazione, precauzioni

▲ PERICOLO Colpo di frusta del tubo dell'aria

Un tubo ad aria compressa che si scollegi può avere dei movimenti sferzanti e causare lesioni personali o la morte. Per ridurre tali rischi:

- ▶ Verificare che il tubo flessibile e i collegamenti per l'aria compressa non siano danneggiati, sostituire se necessario.
- ▶ Verificare che tutti i collegamenti per l'aria compressa siano corretti.
- ▶ Non trasportare mai la macchina pneumatica dal tubo dell'aria.
- ▶ non tentare mai di scollegare un tubo ad aria compressa quando è pressurizzato; Interrompere innanzi tutto l'aria compressa sul compressore e spurgare la macchina attivando il dispositivo di avviamento e arresto.
- ▶ Non orientare il tubo flessibile per aria compressa verso se stessi o altri. Per evitare il rischio di lesioni, non utilizzare mai l'aria compressa per eliminare ad es. polvere, sporco ecc. dagli abiti.
- ▶ Non utilizzare raccordi a sgancio rapido sull'ingresso dell'utensile. Utilizzare raccordi filettati dei tubi in acciaio temprato (o materiale con una equivalente resistenza all'urto).
- ▶ Ogni volta che si utilizzano innesti girevoli universali (raccordi istantanei) raccomandiamo di montare perni di blocco e di utilizzare cavi di sicurezza contro i colpi di frusta per evitare eventuali problemi di collegamento tubo-utensile e tubo-tubo.

▲ **AVVERTENZA** Espulsione dell'utensile di inserimento

Qualora il trattenitore dell'utensile sulla macchina non sia bloccato, l'utensile inserito può essere espulso con forza provocando lesioni personali.

- ▶ Non avviare mai la macchina prima di sostituire l'utensile di inserimento.
- ▶ Prima di cambiare l'utensile di inserimento o altri accessori, spegnere sempre la macchina, disinserire l'alimentazione dell'aria e spurgare la macchina premendo il dispositivo di avviamento e arresto.
- ▶ Mai orientare l'utensile inserito verso se stessi o un'altra persona.
- ▶ Prima di avviare la macchina, accertarsi che l'utensile di inserimento sia inserito a fondo e che il relativo dispositivo di bloccaggio sia saldamente bloccato.
- ▶ Controllare il funzionamento del blocco spingendo all'esterno l'utensile inserito.

▲ **AVVERTENZA** Movimento/slittamento dell'utensile di inserimento

Dimensioni errate della bussola dell'utensile inserito possono causare perdita o slittamento dell'utensile durante il funzionamento. Rischio di lesioni gravi o di schiacciamento di mani e dita.

- ▶ Verificare che l'utensile di inserimento abbia una bussola che presenti la lunghezza e le dimensioni corrette per la macchina per cui è prevista.
- ▶ Non utilizzare mai un utensile di inserimento senza collare.

Funzionamento, precauzioni

▲ **PERICOLO** Rischio di esplosione

Qualora l'utensile di inserimento caldo venga a contatto con sostanze esplosive vi è il rischio di esplosioni. Durante il funzionamento su determinati materiali nonché quando si usano determinati materiali possono verificarsi scintille e incendi. Eventuali esplosioni causerebbero lesioni gravi o morte.

- ▶ Non utilizzare la macchina in ambienti esplosivi.
- ▶ Non utilizzare mai la macchina in prossimità di materiali, vapori e polveri infiammabili.
- ▶ Accertarsi che non siano presenti fonti di gas o esplosivi non rilevati.
- ▶ Non perforare mai in un foro esistente.

▲ **AVVERTENZA** Movimenti inattesi

L'utensile inserito è soggetto a notevoli sollecitazioni durante l'uso della macchina. Dopo un certo periodo di utilizzo l'utensile inserito può rompersi in seguito all'usura. In caso di rottura o di blocco dell'utensile inserito, potrebbe verificarsi un movimento improvviso o inaspettato con possibile rischio di lesioni. Perdite di equilibrio o scivolamenti, inoltre, possono provocare gravi lesioni personali.

- ▶ Operare sempre in posizione stabile, con i piedi allargati parallelamente alle spalle e con il peso del corpo ben bilanciato.
- ▶ Ispezionare sempre l'attrezzatura prima dell'uso. Non utilizzare l'attrezzatura se si sospetta che sia danneggiata.
- ▶ Accertarsi che le impugnature siano pulite e prive di olio e grasso.
- ▶ Tenere lontani i piedi dall'utensile inserito.
- ▶ Afferrare saldamente la macchina con entrambe le mani.
- ▶ Non forare mai in un foro esistente.
- ▶ Non avviare mai la macchina quando questa si trova coricata al suolo.
- ▶ Non "arrampicarsi" mai sulla macchina appoggiando un piede sull'impugnatura.
- ▶ Non colpire né utilizzare impropriamente l'attrezzatura.
- ▶ Verificare regolarmente che l'utensile di inserimento non sia usurato e controllarlo in caso di rischio di danni o rotture evidenti.
- ▶ Prestare sempre la massima attenzione durante il lavoro.

▲ **AVVERTENZA** Pericolo di stallo

Qualora l'utensile di inserimento si blocchi durante il funzionamento, l'intera macchina inizia a ruotare se si perde la presa. La rotazione improvvisa della macchina può provocare gravi lesioni personali o la morte.

- ▶ Afferrare saldamente la macchina con entrambe le mani.
- ▶ Accertarsi che le impugnature siano pulite e prive di olio e grasso.
- ▶ Non forare mai in un foro esistente.

▲ AVVERTENZA Pericolo di intrappolamento

Collane, capelli, guanti e indumenti possono impigliarsi nell'utensile di inserimento o dagli accessori in rotazione, provocando soffocamento, strappo del cuoio capelluto, lacerazioni o morte. Per ridurre tali rischi:

- ▶ Non afferrare o toccare mai una punta in acciaio rotante.
- ▶ Non indossare indumenti, collane o guanti che possono rimanere impigliati.
- ▶ Raccogliere eventuali capelli lunghi.

▲ AVVERTENZA Rischi correlati alla polvere e ai fumi

Polvere e/o fumi generati o dispersi quando si utilizza la macchina potrebbero provocare patologie respiratorie serie e permanenti, malattie, o altre lesioni corporee (ad esempio, silicosi o altre patologie polmonari irreversibili che possono essere fatali, cancro, patologia neonatali, e/o infiammazioni cutanee).

Alcune polveri, fumi prodotti da perforazione, frantumazione, demolizione, taglio, rettifica e altre attività di costruzione, contengono sostanze note presso lo Stato della California e altre autorità come cancerogene e portatrici di patologie respiratorie, difetti neonatali o altri danni correlati alla riproduzione. Tra queste sostanze vi sono, a titolo esemplificativo:

- silice cristallina, cemento e altri prodotti per l'edilizia.
- Arsenico e cromo derivati da gomma trattata chimicamente.
- Vernici a base di piombo.

Polveri e fumi possono essere invisibili all'occhio nudo, quindi non affidarsi alla vista per determinare la presenza di polveri o fumi nell'aria.

Per ridurre il rischio di esposizione a polveri e fumi, agire come segue:

- ▶ Eseguire una valutazione del rischio specifica per il sito. La valutazione dei rischi deve includere le polveri e i fumi creati dall'impiego della macchina e il potenziale di disturbo delle polveri esistenti.
- ▶ Utilizzare controlli strutturali adeguati per ridurre al minimo la quantità di polveri e fumi nell'aria e per ridurre al minimo l'accumulo su attrezzatura, superfici e parti del corpo. Alcuni esempi di controlli sono: sistemi di ventilazione d'estrazione e di raccolta delle polveri, spruzzi d'acqua e perforazione a umido. Controllare polveri e fumi alla fonte, ove possibile. Accertarsi che questi controlli siano adeguatamente installati, sottoposti a manutenzione e utilizzati correttamente.
- ▶ Indossare, sottoporre a manutenzione e utilizzare correttamente protezioni della respirazione come indicato dal datore di lavoro e come richiesto dalle norme sulla sicurezza e la salute sul lavoro. Le protezioni delle vie respiratorie devono essere idonee alle sostanze in questione (e se applicabile autorità governative rilevanti).
- ▶ Lavorare in un'area ben ventilata.
- ▶ Se la macchina ha uno scarico, dirigerlo in modo tale da ridurre il disturbo delle polveri in un ambiente polveroso.

- ▶ Utilizzare e sottoporre a manutenzione la macchina come indicato nelle istruzioni per l'uso e al sicurezza.
- ▶ Scegliere, sottoporre a manutenzione e sostituire gli utensili di inserimento/prodotti di consumo come indicato nelle istruzioni per l'uso e la sicurezza. La scelta errata o la mancanza di manutenzione degli utensili di inserimento/prodotti di consumo/altri accessori potrebbe provocare un aumento delle polveri o dei fumi.
- ▶ Indossare indumenti protettivi lavabili o monouso sul luogo di lavoro e fare la doccia e indossare indumenti puliti prima di lasciare il luogo di lavoro per ridurre l'esposizione alle polveri e ai fumi a se stesso e quella di altre persone, automobili, abitazioni e altre aree.
- ▶ Non mangiare, bere né fare uso di prodotti a base di tabacco in presenza di polveri e fumi.
- ▶ Lavarsi appena possibile accuratamente le mani e il viso quando si esce dall'area di esposizione e sempre prima di mangiare, bere, usare prodotti del tabacco e di entrare in contatto con altre persone.
- ▶ Rispettare tutte le leggi e le normative applicabili, incluse quelle sulla sicurezza e la salute sul lavoro.
- ▶ Partecipare al monitoraggio dell'aria, alle visite mediche programmate e ai corsi di formazione sulla salute e e sulla sicurezza offerti dal proprio datore di lavoro o dall'azienda e in conformità con le normative e le raccomandazioni sulla sicurezza e la salute sul lavoro. Consultare medici esperti in medicina del lavoro.
- ▶ Lavorare con il proprio datore di lavoro e il sindacato per ridurre l'esposizione a polveri e fumi sul posto di lavoro e per ridurre i rischi. Sulla base dei consigli di esperti sulla sicurezza e sulla salute, definire e implementare programmi, politiche e procedure sulla sicurezza e la salute per proteggere i lavoratori e gli altri dall'esposizione pericolosa a polveri e fumi. Consultare gli esperti.

▲ AVVERTENZA Proiettili

Guasti a livello dell'utensile, degli accessori o perfino della macchina stessa, possono generare proiettili ad alta velocità. Durante il funzionamento, schegge o altre particelle di materiale di lavoro possono trasformarsi in proiettili e causare lesioni fisiche, colpendo l'operatore o altre persone. Per ridurre tali rischi:

- ▶ Utilizzare dispositivi di protezione individuali e elmetto di sicurezza omologati, ad esempio occhiali di sicurezza resistenti agli urti con protezioni laterali.
- ▶ Assicurarsi che persone non autorizzate non si introducano nella zona di lavoro.
- ▶ Mantenere il luogo di lavoro privo di corpi estranei.
- ▶ Accertarsi che il pezzo da lavorare sia ben fissato.

▲ AVVERTENZA Pericolo di schegge

L'utilizzo dell'utensile di inserimento come strumento di percussione manuale può provocare la formazione di schegge che possono colpire l'operatore con conseguenti lesioni personali.

- ▶ Non utilizzare mai un utensile di inserimento come strumento di percussione manuale. Gli utensili di inserimento sono stati concepiti e termotrattati per essere impiegati esclusivamente all'interno di una macchina.

▲ AVVERTENZA Pericoli di scivolamento, inciampo e caduta

Esiste un rischio di scivolamento, inciampo e caduta per esempio inciampo sui cavi o su altri oggetti. Scivolamento, inciampo e caduta possono causare lesioni. Per ridurre tali rischi:

- ▶ Accertarsi sempre che non vi siano cavi o altri oggetti che ostacolano il cammino dell'utente o di altri.
- ▶ Operare sempre in posizione stabile, con i piedi allargati parallelamente alle spalle e con il peso del corpo ben bilanciato.

▲ AVVERTENZA Rischi correlati al movimento

Quando si utilizza la macchina per eseguire attività collegate al lavoro, potrebbe verificarsi fastidio a mani, braccia, spalle, collo o altre parti del corpo.

- ▶ Adottare una postura comoda mantenendo una presa sicura ed evitare strane posture sbilanciate.
- ▶ Il cambio di postura durante lavori prolungati può aiutare a ridurre il fastidio e la fatica.
- ▶ In caso di sintomi persistenti o ricorrenti, consultare un medico professionista qualificato.

▲ AVVERTENZA Rischi correlati alle vibrazioni

L'uso normale e corretto della macchina espone l'operatore a vibrazioni. Un'esposizione regolare e frequente alle vibrazioni può causare o aggravare, anche solo in parte, lesioni o disturbi a dita, mani, polsi, braccia, spalle e/o nervi e vasi o altre parti del corpo dell'operatore, comprese lesioni o disturbi debilitanti e/o permanenti, che potrebbero svilupparsi gradualmente, nel corso di settimane, mesi o perfino anni. Tali lesioni o disturbi possono provocare danni al sistema circolatorio, sistema nervoso, articolazioni e anche ad altre parti dell'organismo.

Se in un qualunque momento dovessero manifestarsi sintomi quali intorpidimento, fastidio prolungato e ricorrente, sensazione di bruciore, rigidità, formicolio, fitte, indebolimento della presa, dolore, pallore o altro, che si stia utilizzando la macchina o meno, interrompere l'uso e rivolgersi a un medico. La prosecuzione nell'utilizzo della macchina dopo il verificarsi di uno di tali sintomi aumenta il rischio che esso diventi più grave e/o permanente.

Far funzionare ed eseguire la manutenzione sulla macchina come raccomandato in queste istruzioni per impedire un aumento non necessario delle vibrazioni.

Per ridurre l'esposizione dell'operatore alle vibrazioni, adottare le seguenti precauzioni:

- ▶ lasciare che sia l'utensile a eseguire il lavoro. Utilizzare una presa minima sufficiente al controllo corretto e al funzionamento sicuro.
- ▶ Se la macchina è dotata di impugnature ad assorbimento delle vibrazioni, tenerle in posizione centrale, evitando di premerle nei fermi terminali.
- ▶ Quando è attivato il meccanismo di percussione, il solo contatto che il corpo dell'operatore deve avere con la macchina è delle mani sull'impugnatura/impugnature. Evitare altro contatto, ad es. addossando una parte del corpo alla macchina o appoggiandovisi per aumentare la forza di avanzamento. Inoltre è importante mantenere il dispositivo di avviamento e di arresto non innestato durante l'estrazione dell'utensile dalla superficie di lavoro frantumata.
- ▶ Accertarsi che sull'utensile inserito venga eseguita una corretta manutenzione (ad es. affilatura, se si tratta di un utensile da taglio), che non sia usurato e che sia delle dimensioni corrette. Utensili di inserimento sui quali non venga eseguita una corretta manutenzione, che siano usurati o di dimensioni errate impiegano più tempo a compiere un'operazione (quindi con un periodo maggiore di esposizione alle vibrazioni) e possono causare o contribuire a più alti livelli di esposizione alle vibrazioni.

- ▶ Interrompere immediatamente il lavoro se la macchina improvvisamente inizia a vibrare eccessivamente. Prima di riprendere il lavoro, individuare e rimuovere la causa dell'aumento delle vibrazioni.
- ▶ Non afferrare mai o toccare l'utensile inserito con la macchina in funzione.
- ▶ Partecipare a sorveglianza o monitoraggio sanitario, esami medici e programmi di formazione resi disponibili dal proprio datore di lavoro e quando richiesto dalla legge.
- ▶ Quando si lavora al freddo, indossare indumenti caldi e tenere sempre le mani calde e asciutte.

Vedere la "Dichiarazione in materia di rumore e vibrazioni" per quanto concerne la macchina, compresi i valori di vibrazione dichiarati. Queste informazioni si trovano al termine di queste istruzioni per la sicurezza e per l'uso.

- ◆ Nell'utilizzare la macchina, adottare la pressione dell'aria raccomandata. Una pressione dell'aria maggiore o inferiore può causare livelli più alti di vibrazioni.

▲ PERICOLO Pericolo elettrico

La macchina non è isolata elettricamente. In caso di contatto della macchina con l'elettricità possono derivarne lesioni personali gravi o morte.

- ▶ Non mettere mai in funzione la macchina vicino a cavi elettrici o ad altre fonti di elettricità.
- ▶ Accertarsi che non siano presenti cavi nascosti o altre sorgenti elettriche nella zona di lavoro.

▲ AVVERTENZA Pericoli correlati a oggetti nascosti

Durante il funzionamento, cavi e tubi nascosti possono provocare gravi lesioni personali.

- ▶ Prima del funzionamento, verificare la composizione del materiale della macchina.
- ▶ Accertarsi che non vi siano cavi e condutture nascosti, ad es. di elettricità, linee telefoniche, acqua, gas e acque di rifiuto, ecc.
- ▶ Qualora si sospetti che l'utensile inserito abbia urtato un oggetto nascosto, spegnere immediatamente la macchina.
- ▶ Accertarsi che non vi siano pericoli prima di continuare.

▲ AVVERTENZA Avviamento accidentale

L'avviamento accidentale della macchina può provocare gravi lesioni personali.

- ▶ Tenere lontane le mani dal dispositivo di avviamento ed arresto fino a quando l'operatore non è pronto ad avviare la macchina.
- ▶ Imparare come fermare la macchina in caso di emergenza.
- ▶ Rilasciare immediatamente il dispositivo di avviamento e arresto in caso di interruzione di corrente.
- ▶ Per il montaggio o lo smontaggio dell'utensile di inserimento disattivare l'alimentazione pneumatica, disaerare la macchina premendo il dispositivo di avvio e arresto e scollegare la macchina dalla sorgente di alimentazione.

▲ AVVERTENZA Rischio correlato al rumore

Elevati livelli di rumore possono causare una perdita dell'udito permanente e disabilitante, nonché altri problemi quali acufeni (fischi, ronzii, crepitii nelle orecchie). Per ridurre i rischi ed evitare qualsiasi inutile aumento dei livelli di rumore:

- ▶ La valutazione del rischio e l'implementazione di adeguati controlli sono fondamentali.
- ▶ Utilizzare e sottoporre a manutenzione la macchina come indicato nelle presenti istruzioni.
- ▶ Scegliere, sottoporre a manutenzione e sostituire l'utensile di inserimento come indicato nelle presenti istruzioni.
- ▶ Se la macchina è dotata di un silenziatore, assicurarsi che sia in posizione e in buone condizioni.
- ▶ Utilizzare sempre protezioni acustiche.
- ▶ Utilizzare materiale di smorzamento per evitare che i pezzi lavorati "suonino".

Manutenzione, precauzioni**▲ AVVERTENZA Modifica della macchina**

Eventuali modifiche alla macchina possono causare lesioni personali all'operatore e ad altre persone.

- ▶ Non modificare mai la macchina. Le macchine modificate non sono coperte da garanzia o responsabilità sul prodotto.
- ▶ Utilizzare sempre ricambi, utensili d'inserimento ed accessori originali approvati dalla Atlas Copco.
- ▶ Sostituire immediatamente i pezzi danneggiati.
- ▶ Sostituire tempestivamente i componenti usurati.

▲ ATTENZIONE Utensile di inserimento caldo

La punta dell'utensile di inserimento potrebbe riscaldarsi e potrebbe affilarsi quando viene utilizzata. Il contatto con la punta può causare ustioni e tagli.

- ▶ Non toccare mai un utensile di inserimento quando è caldo o tagliente.
- ▶ Attendere che l'utensile di inserimento si sia raffreddato prima di eseguire qualsiasi intervento di manutenzione.

▲ AVVERTENZA Pericoli legati all'utensile di inserimento

L'azionamento accidentale del dispositivo di avvio e di arresto durante la manutenzione o l'installazione può causare lesioni gravi quando l'alimentazione è collegata.

- ▶ Non ispezionare, pulire, installare o rimuovere l'utensile di inserimento quando l'alimentazione è collegata.

Conservazione, precauzioni

- ◆ La macchina e gli utensili devono essere conservati in un luogo sicuro e fuori dalla portata dei bambini, chiuso a chiave.

Avvertenze

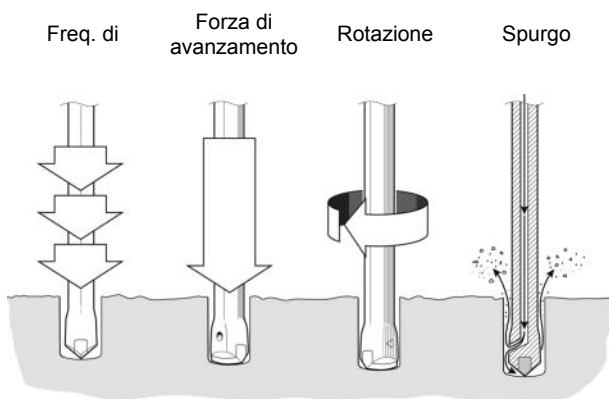
Per ridurre il rischio di lesioni gravi o morte, per se stessi o altre persone, prima di utilizzare la macchina leggere la sezione delle istruzioni sulla sicurezza che si trova nelle prime pagine di questo manuale.

Modello e funzioni

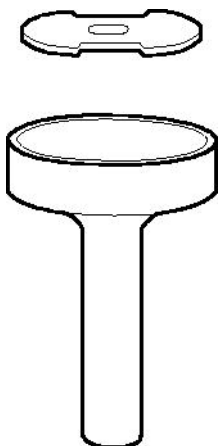
RH 571, RH 572 e RH 658 sono perforatrici pneumatiche concepite per la perforazione verticale, la perforazione di fori di candela e la perforazione in calcestruzzo in applicazioni edili e minerarie. Non sono consentiti usi diversi da quelli indicati.

Per la scelta degli utensili di inserimento corretti, contattare il concessionario Atlas Copco locale.

Principio di funzionamento della perforatrice

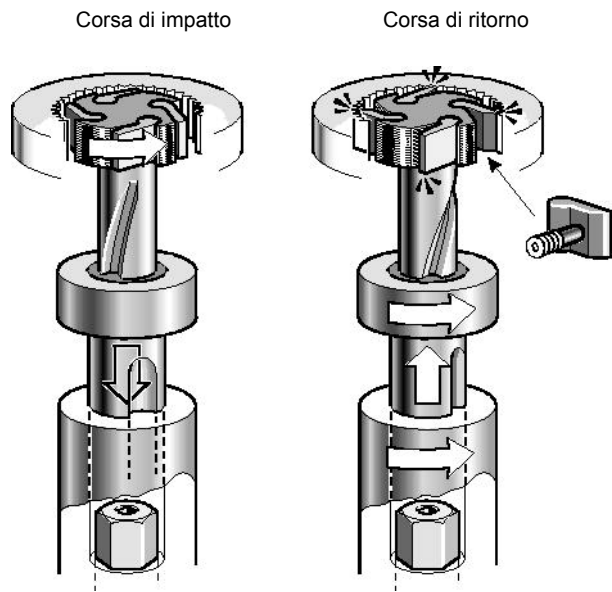


Meccanismo della valvola di controllo



La leva dirige l'aria alternativamente da un lato all'altro del pistone in modo che questo si sposti verso l'alto e verso il basso. Il pistone trasmette l'energia alla parte inferiore del foro attraverso il fioretto.

Meccanismo di rotazione

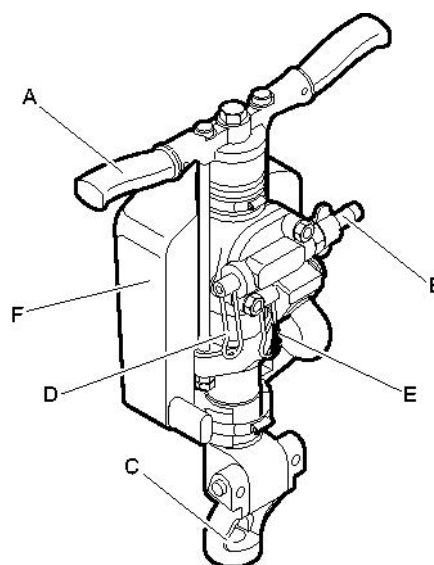


Ad ogni colpo il fioretto viene ruotato leggermente dalla rotazione della barra spiralata. La rotazione avviene in senso antiorario ed è applicata alla corsa di ritorno del pistone.

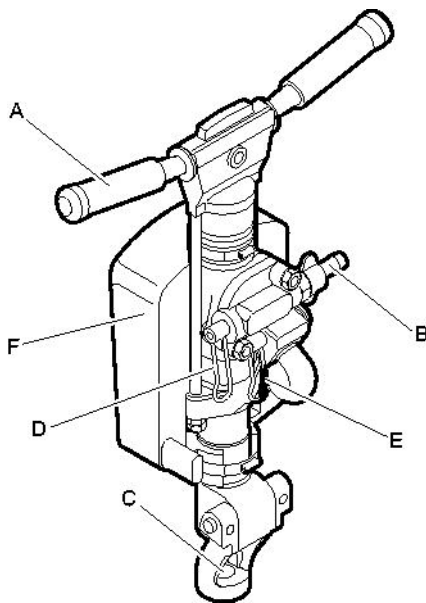
Spurgo

Lo spurgo viene incanalato attraverso un foro nel pistone. Ciò significa che l'erogazione dell'aria di spurgo ha inizio non appena si attiva l'aria compressa.

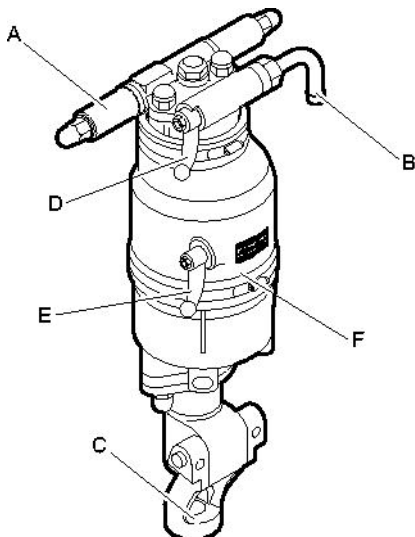
Parti principali



RH 571-5L/LS



RH 572E



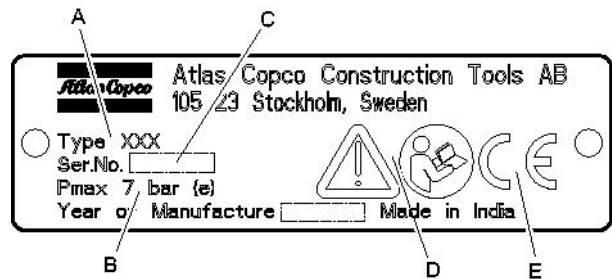
RH 658L/LS

- A. Impugnatura
- B. Nipplo di ingresso dell'aria
- C. Trattenitore della punta di perforazione
- D. Leva dell'acceleratore
- E. Leva per l'aria supplementare
- F. Silenziatore (opzionale)

Etichette

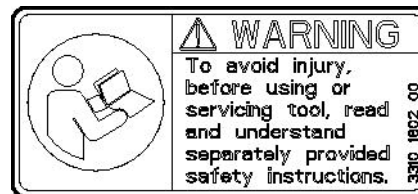
Sulla macchina sono apposte etichette contenenti informazioni importanti per la sicurezza dell'operatore e la manutenzione della macchina. Le condizioni delle etichette devono essere tali da consentirne una facile lettura. È possibile ordinare nuove etichette facendo riferimento all'elenco dei pezzi di ricambio.

Targhetta dei dati



- A. Tipo di macchina
- B. Pressione pneumatica massima consentita
- C. Numero di serie
- D. Il simbolo di attenzione insieme al simbolo del libro indicano che occorre leggere le Istruzioni per la sicurezza e per l'uso quando ci si accinge a utilizzare la macchina per la prima volta.
- E. Il simbolo CE indica che la macchina è approvata dalla CE. Per ulteriori informazioni, consultare l'allegata dichiarazione CE. Se il simbolo CE manca, indica che la macchina non è approvata dalla CE.

Etichetta di sicurezza



Per evitare lesioni, prima di usare o di effettuare la manutenzione su un utensile, leggere e comprendere le istruzioni di sicurezza fornite separatamente.

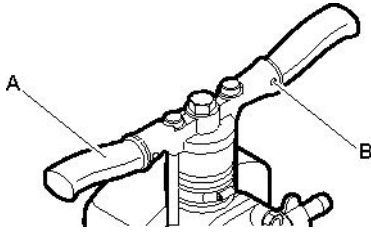
Installazione

Disimballaggio della perforatrice

Ripari in plastica

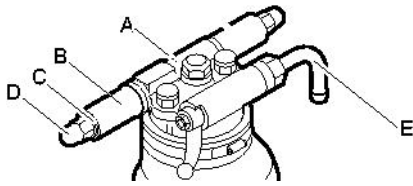
Prima di utilizzare la perforatrice per la prima volta, rimuovere tutte le protezioni in plastica all'interno dei raccordi dei tubi, dei fori di aerazione e del mandrino di rotazione.

Montaggio



RH 571-5L/LS

- 1) Premere le boccole e le impugnature (A) su ciascun lato della testata posteriore.
- 2) Fissare le impugnature avvitando i perni a molla (B) nella testata posteriore.



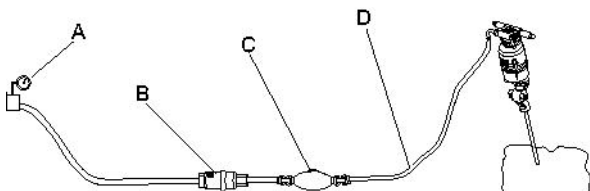
RH 658L/LS

- 1) Posizionare il bullone dell'impugnatura (A) all'interno della testata posteriore.
- 2) Posizionare le prese (B) su ciascun lato del bullone dell'impugnatura.
- 3) Fissare le prese con una rondella (C) e un dado a calotta (D) su entrambi i lati.
- 4) Avvitare il nipplo del tubo flessibile (E) nell'ingresso dell'aria fiso a che non sia ben saldo.

Lubrificazione

Dopo aver sballato e installato lo strumento, versare un po' di olio lubrificante nell'attacco dell'aria.

Tubi e collegamenti



- A. Sorgente di aria compressa
- B. Separatore di condensa (opzionale)
- C. Lubrificatore (opzionale)
- D. Tubo dell'aria compressa lungo max. 3 metri tra il lubrificatore e la macchina.

- ◆ Verificare che si stia usando la corretta pressione operativa raccomandata, 6 bar (e).
- ◆ La pressione massima consentita dell'aria compressa, 7 bar (e), non deve mai essere superata.
- ◆ Soffiare via eventuali impurità dal tubo dell'aria compressa prima di collegarlo alla macchina.
- ◆ Selezionare le dimensioni e la lunghezza corrette per il tubo dell'aria compressa. Per tubi di lunghezza superiore a 30 metri, usare un tubo con diametro minimo interno di 19 mm (3/4"). Se il tubo ha una lunghezza tra i 30 e i 100 metri, usare un tubo con diametro interno minimo di 25 mm (1").

Misure antigelo

La formazione di ghiaccio nel silenziatore si può verificare quando la temperatura ambiente è di 0–10°C (32–50 °F) e l'umidità relativa è alta.

La macchina è stata progettata in maniera tale da evitare la formazione di ghiaccio nel silenziatore. Malgrado ciò, in condizioni estreme è possibile che ciò accada.

Adottare le seguenti misure per evitare il rischio di formazione di ghiaccio:

- ◆ Usare il lubrificante Atlas Copco Rock Drill AIR-OIL.
- ◆ Usare un separatore di condensa VAM 5A.

Se la perforatrice gela, non scaldarla mai per sciogliere il ghiaccio. Lasciar sempre sciogliere il ghiaccio a temperatura ambiente.

Non versare mai alcol denaturato o sostanze simili nella perforatrice, in quanto interferiscono con la lubrificazione e danno luogo a una maggiore usura.

Collegamento del separatore di condensa

Tra il compressore e il separatore di condensa utilizzare un tubo che abbia una lunghezza sufficiente a garantire che il vapore acqueo si raffreddi e si condensi nel tubo prima di raggiungere il separatore.

Se la temperatura ambiente è inferiore a 0°C (32°F), il tubo deve essere sufficientemente corto per evitare il rischio di formazione di ghiaccio prima che l'acqua raggiunga il separatore di condensa.

Lubrificazione

La perforatrice viene lubrificata con olio miscelato ad aria compressa, che raggiunge le parti che necessitano di lubrificazione continua. L'olio viene miscelato con l'aria compressa mediante un lubrificatore CLG 30 Atlas Copco collegato al tubo dell'aria.

Usare AIR-OIL di Atlas Copco appositamente realizzato per perforatrici pneumatiche BBC, BBD e RH. L'AIR-OIL per perforatrici è subito biodegradabile ai sensi di OECD 301 e ha una resistenza del film in grado di resistere a carichi pesanti. Se l'AIR-OIL per perforatrice non è disponibile usare un olio per attrezzi pneumatici a base minerale con le proprietà raccomandate nella tabella seguente.

Intervallo di temperatura (°C)	Grado di viscosità (ISO 3448)
da -30 a 0	ISO VG 32-68
da -10 a +20	ISO VG 68-100
da +10 a +50	ISO VG 100-150

Regolazione di pressione

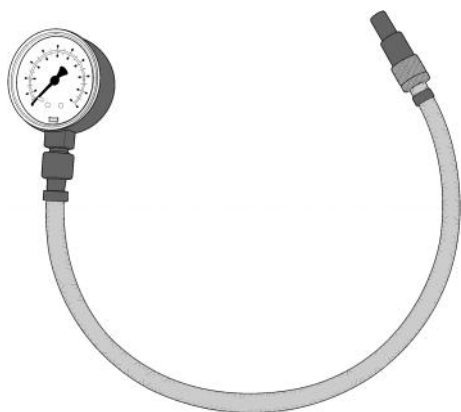
Pressione dell'aria

Accertarsi che il compressore sia in grado di erogare all'utensile l'aria richiesta ad una pressione di 4-6 bar.

1. Una pressione alta incide negativamente sul funzionamento e provoca usura eccessiva.
2. Una pressione bassa rallenta la velocità di perforazione.

Calibrare l'esatta pressione

Usare l'indicatore di pressione Atlas Copco (**9090 0550 80**) per verificare la pressione dell'aria durante il funzionamento della perforatrice. La pressione va misurata vicino al nipplo di ingresso. La pressione di esercizio massima consentita è di 6 bar.



Il manometro è dotato di un ago che viene inserito nel tubo per misurarne la pressione interna.

Punta di perforazione

▲ AVVERTENZA Espulsione dell'utensile di inserimento

Qualora il trattenitore dell'utensile sulla macchina non sia bloccato, l'utensile inserito può essere espulso con forza provocando lesioni personali.

- ▶ Prima di cambiare l'utensile di inserimento, spegnere sempre la macchina, disinserire l'alimentazione dell'aria compressa e spurgare la macchina premendo il dispositivo di avviamento e arresto.

Prima del montaggio della punta di perforazione

Accertare che la bussola dell'utensile sia della misura e lunghezza corretta per il mandrino utilizzato. La bussola deve essere pulita e l'utensile in buone condizioni. Le bussole scheggiate, arrotondate, scentrate o troppo strette sull'estremità di battuta funzioneranno in modo inefficiente e causeranno guasti prematuri al pistone.

Ispezionare la punta di perforazione:

Una punta smussata rallenta la velocità di perforazione e sottopone il meccanismo della perforatrice a sforzo eccessivo. Alla sostituzione della punta accertarsi che la nuova punta sia della misura adatta al foro eseguito in precedenza.

Prima di perforare, verificare che il foro di spurgo nella punta di perforazione non sia otturato.

▲ ATTENZIONE Utensile di inserimento caldo

La punta dell'utensile di inserimento potrebbe riscaldarsi e potrebbe affilarsi quando viene utilizzata. Il contatto con la punta può causare ustioni e tagli.

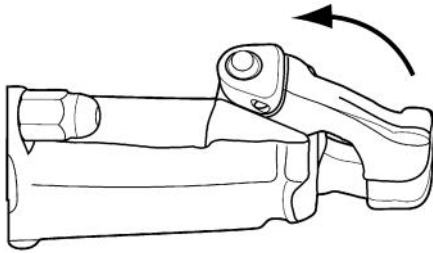
- ▶ Non toccare mai un utensile di inserimento quando è caldo o tagliente.
- ▶ Attendere che l'utensile di inserimento si sia raffreddato prima di eseguire qualsiasi intervento di manutenzione.

AVVISO Non raffreddare mai un utensile di inserimento caldo in acqua, potrebbe derivarne fragilità e rottura precoce.

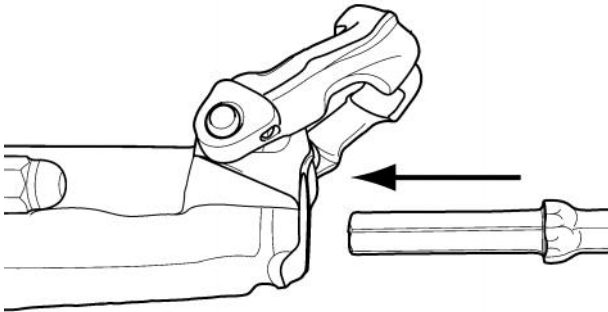
Montaggio della punta di perforazione

Attenersi alle istruzioni indicate di seguito per il montaggio della punta di perforazione:

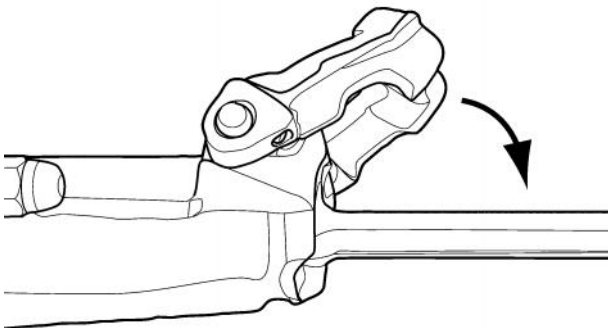
1. Spingere il trattenitore verso l'esterno nella direzione della freccia fino a quando la sua parte anteriore non riesce ad ospitare il collarino della punta di perforazione.



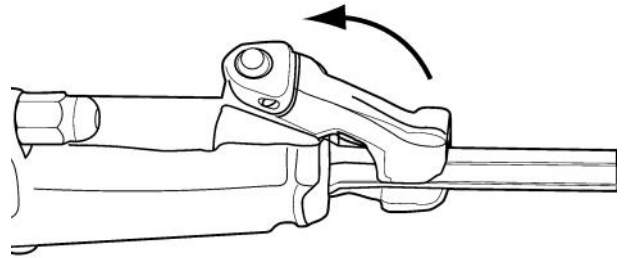
2. Inserire la punta di perforazione nel mandrino.



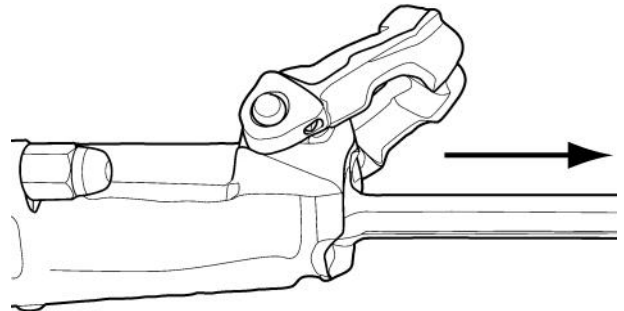
3. Quando la punta arriva al fondo, spingere indietro il trattenitore per bloccarla.



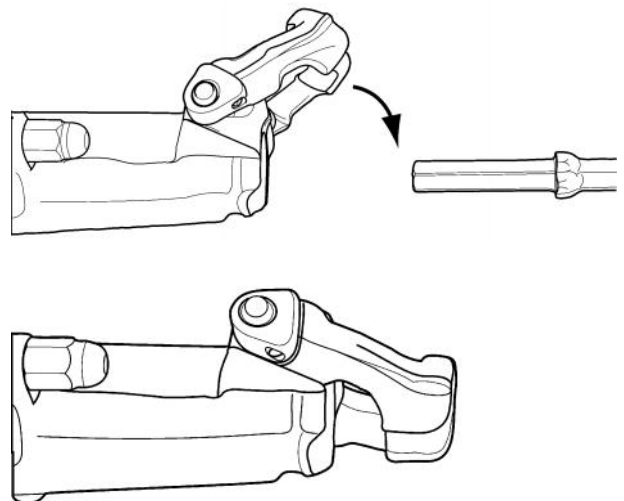
1. Spingere il trattenitore verso l'esterno nella direzione della freccia fino a quando il collarino della punta di perforazione non si disimpegna dalla parte anteriore del trattenitore stesso.



2. Estrarre la punta di perforazione.



3. Spingere indietro il trattenitore.



Smontaggio della punta di perforazione

Attenersi alle istruzioni indicate di seguito per la rimozione della punta di perforazione:

Funzionamento

⚠ AVVERTENZA Avviamento accidentale

L'avviamento accidentale della macchina può provocare gravi lesioni personali.

- ▶ Tenere lontane le mani dal dispositivo di avviamento ed arresto fino a quando l'operatore non è pronto ad avviare la macchina.
- ▶ Imparare come fermare la macchina in caso di emergenza.
- ▶ Arrestare immediatamente la macchina in caso di interruzione di corrente.

Preparativi prima dell'accensione

Controllare le attrezzature di perforazione

- ◆ Controllare che l'intera attrezzatura di perforazione sia in buono stato operativo.
- ◆ Controllare che la superficie d'impatto della bussola della punta sia piana e non presenti segni di usura.
- ◆ Accertarsi che non vi siano ostruzioni sull'ingresso dell'aria e sulle porte di scarico.
- ◆ Controllare che i fori di spurgo del fioretto e della punta non siano bloccati e che l'aria/acqua di spurgo possa fuoriuscire senza ostacoli.
- ◆ Accertarsi che il filtro dell'aria (ubicato nel nipplo dell'aria) sia pulito e che non presenti strappi o distorsioni.
- ◆ Accertarsi che le giunzioni siano ben serrate e che non presentino perdite.

⚠ PERICOLO Colpo di frusta del tubo dell'aria

Un tubo ad aria compressa che si scollegi può avere dei movimenti sferzanti e causare lesioni personali o la morte.

- ▶ Verificare che il tubo flessibile e i collegamenti per l'aria compressa non siano danneggiati.
- ▶ Verificare che tutti i collegamenti per l'aria compressa siano corretti.

Spurgare il flessibile per l'aria

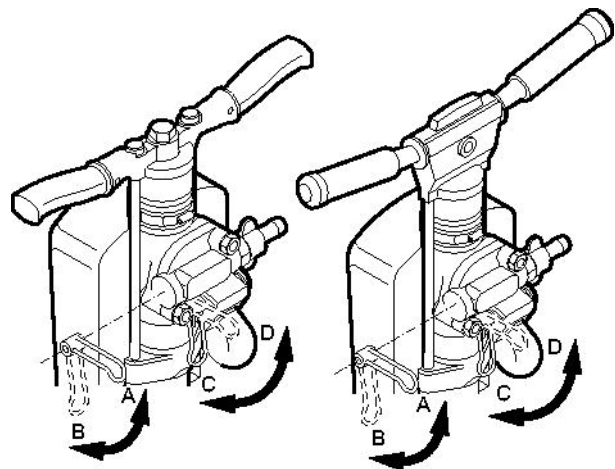
- ◆ Spurgare quotidianamente prima dell'uso il flessibile per l'aria in modo da rimuovere lo sporco accumulato e l'umidità.

Riempire di olio l'oliatore

- ◆ Accertarsi che il mandrino e la bussola del fioretto siano sempre ricoperti da una pellicola d'olio.

Controlli

Leva dell'acceleratore

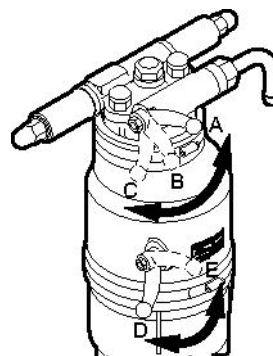


RH 571-5L/LS

RH 572E

La perforatrice è dotata di una leva di azionamento che invia l'aria compressa al meccanismo di percussione oltre a regolare l'acqua di spurgo e di una leva per l'aria supplementare per una pulizia migliore.

- A. Valvola di regolazione chiusa (posizione di arresto)
- B. Leva del regolatore completamente aperta
- C. Valvola per l'aria supplementare (posizione di arresto)
- D. Valvola per l'aria supplementare completamente aperta



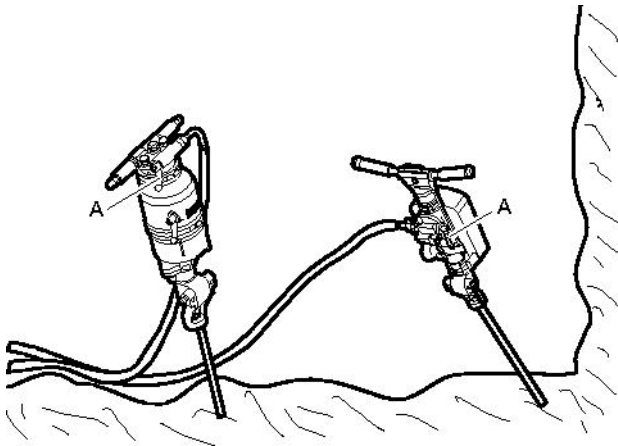
RH 658L/LS

La perforatrice è dotata di una leva di azionamento che invia l'aria compressa al meccanismo di percussione oltre a regolare l'acqua di spurgo e di una leva per l'aria supplementare per una pulizia migliore.

- A. Valvola di regolazione chiusa (posizione di arresto)
- B. Leva del regolatore semiaperta
- C. Leva del regolatore completamente aperta
- D. Valvola per l'aria supplementare (posizione di arresto)
- E. Valvola per l'aria supplementare completamente aperta

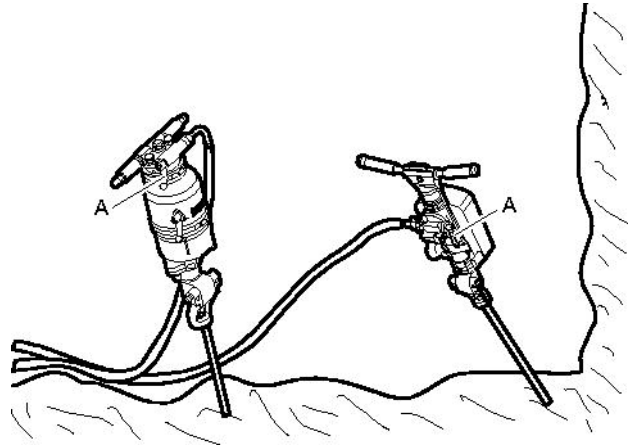
Avviamento e arresto

Avvio della perforatrice



1. Aprire la valvola principale dell'aria compressa.
2. Allineare la perforatrice in modo che la punta di perforazione tocchi il punto dell'imboccatura richiesto.
3. Spostare leggermente in avanti la leva del gas (A), per avviare la percussione e la rotazione.
4. Realizzare la bocca del foro con una forza di alimentazione ridotta.
5. Spostare la leva del gas (A) completamente in avanti non appena la punta di perforazione ha iniziato a perforare nettamente la roccia.

Arresto della perforatrice



1. Tirare indietro la leva del gas (A) fino alla posizione di arresto, per arrestare la percussione e la rotazione.

Condizioni di esercizio

Perforazione

- ◆ Indossare sempre calzature protettive, guanti, casco, protezioni per l'udito e protezione per gli occhi resistenti agli impatti con protezione laterale.
- ◆ Afferrare saldamente la macchina con entrambe le mani.
- ◆ Puntare bene l'utensile sulla superficie di lavoro prima dell'avvio della macchina.

Durante le pause della lavorazione

- ◆ Durante le pause riporre la macchina in maniera tale che non vi sia rischio di azionamento involontario. Accertarsi di posizionare la macchina a terra in modo tale che non cada.
- ◆ Nel caso in cui la pausa sia lunga o quando si lascia il pezzo da lavorare: interrompere l'erogazione dell'alimentazione e spurgare la macchina attivando il dispositivo di avviamento e arresto.

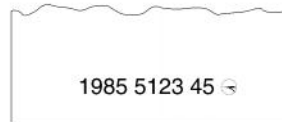
Manutenzione

La manutenzione regolare è un requisito di base perché l'uso dell'utensile continui ad essere sicuro ed efficiente. Seguire attentamente le istruzioni per la manutenzione.

- ◆ Prima di iniziare la manutenzione sulla macchina, pulirla per evitare l'esposizione a sostanze pericolose. Vedere "Rischi correlati alla polvere e ai fumi"
- ◆ Utilizzare esclusivamente ricambi originali. Eventuali danni o guasti dovuti dall'uso di ricambi non originali non sono coperti da Garanzia o Responsabilità sul Prodotto.
- ◆ In caso di pulizia delle parti meccaniche con un solvente, rispettare tutte le norme di sicurezza vigenti e accertarsi che vi sia una ventilazione adeguata.
- ◆ Per la manutenzione completa della macchina, rivolgersi al proprio centro di assistenza autorizzato.
- ◆ Dopo ogni intervento, controllare che il livello di vibrazione della macchina sia normale. In caso contrario, contattare l'officina autorizzata di zona per ulteriori istruzioni.

Differenza tra parti originali e parti non originali

Al momento di acquistare un ricambio, la prima cosa da fare è verificare che il ricambio sia originale Atlas Copco. Le parti sono quasi sempre identificabili.



Le parti della perforatrice riportano solitamente sia la marcatura del numero della parte sia la marcatura di identificazione di Atlas Copco, ovvero un cerchio che racchiude una perforatrice. In alcuni casi la parte riporta soltanto il cerchio o il codice.

Le parti in gomma e le parti in plastica solitamente non sono marcate.

I concorrenti che copiano le nostre parti spesso marcano soltanto le parti più importanti e costose. Alcune parti riportano soltanto il codice della parte, mentre altre hanno anche una marcatura di identificazione sotto forma delle iniziali del nome del produttore. I codici sulle parti non originali vengono solitamente stampigliati a mano, producendo irregolarità. I numeri delle parti stampigliati da Atlas Copco sono regolari e le cifre hanno tutte le stesse dimensioni. Inoltre, la profondità delle cifre e la spaziatura tra di esse sono le stesse in ogni gruppo.

Giornaliera

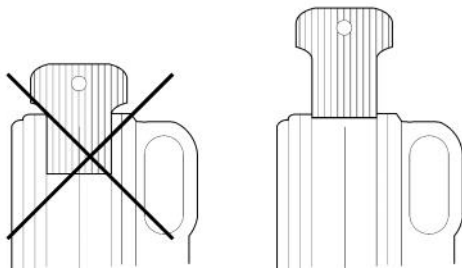
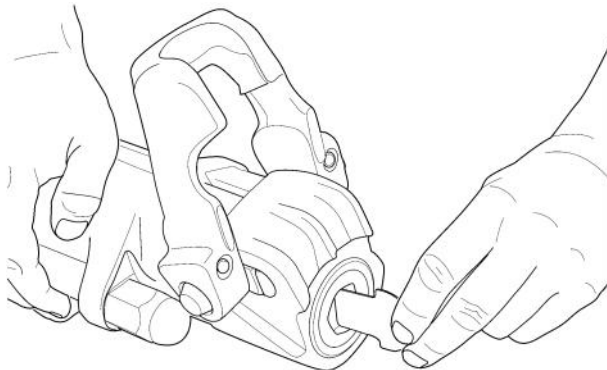
Prima di accingersi alla manutenzione o alla sostituzione dell'utensile di inserimento su macchine pneumatiche, disinserire sempre l'alimentazione dell'olio e spurgare la macchina premendo il dispositivo di avviamento e arresto, scollegare quindi il tubo flessibile pneumatico dalla macchina.

- ◆ Pulire ed ispezionare la macchina e le sue funzioni ogni giorno prima di iniziare il lavoro.
- ◆ Eseguire un'ispezione generale per verificare che non vi siano perdite o danni.
- ◆ Controllare che il nipplo dell'aria in ingresso sia serrato e che il raccordo a baionetta non sia danneggiato.
- ◆ Verificare il funzionamento dell'acceleratore. Controllare che si muova liberamente su e giù.
- ◆ Verificare il funzionamento del trattenitore. Accertarsi che blocchi la punta di perforazione.
- ◆ Sostituire immediatamente i pezzi danneggiati.
- ◆ Sostituire tempestivamente i componenti usurati.
- ◆ Controllare i bulloni passanti della macchina. Accertarsi che siano serrati.
- ◆ Se la macchina è dotata di un silenziatore, controllare il danno.

Controllo dell'usura

1. Controllare l'usura nella boccola del mandrino usando il calibro Atlas Copco (3091 0038 00) (22 mm).

Se il limite di usura è stato superato, il codolo della punta di perforazione si userà più rapidamente o si deformerà. Questo provocherà inceppamenti e un maggiore consumo della perforatrice.

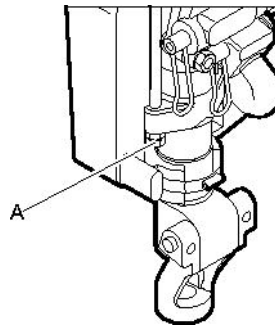


2. Controllare tubi, innesti e controlli non presentino perdite o danni.
3. Verificare che la perforatrice è stata lubrificata a sufficienza. Se necessario, rabboccare l'oliatore.
4. Spurgare il separatore d'acqua.

Manutenzione periodica

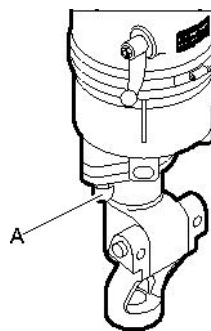
Dopo un periodo d'uso di circa 100 ore di esercizio o tre volte all'anno, smontare la macchina e pulirne e controllarne tutti i componenti. Questo lavoro deve essere eseguito da personale autorizzato, addestrato a questo compito.

Coppia di serraggio



RH 571-5L/LS, RH 572E

- A. Bullone laterale, 90 Nm (66 ft.lbf)



RH 658/LS

- A. Bullone laterale, 125 Nm (92 ft.lbf)

Modalità di danneggiamento

Ispezionare sempre con attenzione i pezzi usurati o danneggiati prima di sostituirli. Essi possono infatti fornire importanti informazioni sulle condizioni della perforatrice e sul modo in cui viene usata e sottoposta a manutenzione.

Problema	Causa
I pezzi in acciaio hanno un colore bluastro	I pezzi sono stati esposti a calore eccessivo. Ciò può essere dovuto a lubrificazione insufficiente o funzionamento al minimo
I pezzi in acciaio presentano delle fessurazioni quasi microscopiche sulle superfici usurabili	Vedere sopra
Cavità irregolari sulla superficie dei pezzi in bronzo	Vedere sopra
Segni di taglio	Danno secondario
	Sporco all'interno della perforatrice
	Disallineamento interno causato da un errato serraggio dei bulloni laterali

Immagazzinamento

- Oliare bene la perforatrice prima di riporla.
- Riporre sempre la macchina in un luogo pulito e asciutto.
- Accertarsi che nella macchina non possa entrare materiale estraneo.
- Proteggere il mandrino con il tappo in plastica fornito con la macchina. In alternativa, utilizzare un tappo di legno o un panno di cotone.
- In caso di conservazione della macchina per un lungo periodo di tempo, versare un po' d'olio direttamente nell'ingresso dell'aria della perforatrice e azionare brevemente l'aria. Ciò proteggerà la macchina dalla corrosione.

Smaltimento

Una macchina usurata si deve trattare e smaltire in maniera tale che la maggior parte possibile di materiale possa essere riciclata e che eventuali influenze negative sull'ambiente vengano ridotte al minimo anche nel rispetto delle limitazioni locali.

Dati tecnici

Dati della macchina

Modello	Codice	Alesaggio pistone mm (in.)	Lunghezza corsa mm (in.)	Lunghezza complessiva mm (in.)	Peso kg (lb)	Dimensioni della bussola mm (in.)
RH 571-5L	8311 0301 29	55 (2,16)	60 (2,36)	510 20	17,8 (39,2)	22 X 108 (7/8 x 4 1/4)
RH 571-5LS	8311 0301 37	55 (2,16)	60 (2,36)	510 20	18,9 (41,7)	22 X 108 (7/8 x 4 1/4)
RH 572E	8311 0301 78	55 (2,16)	60 (2,36)	583 23	22,8 (50,2)	22 X 108 (7/8 x 4 1/4)
RH 658L	8311 0302 86	65 (2,56)	59 (2,32)	565 22 1/4	24,0 (52,9)	22 X 108 (7/8 x 4 1/4)
RH 658LS	8311 0302 87	65 (2,56)	59 (2,32)	565 22 1/4	25,0 (55,1)	22 X 108 (7/8 x 4 1/4)

Modello	Fabbisogno di aria (6 bar) l/s (foot ³ /min)	Frequenza d'urto (6 bar) Hz	Diametro del foro mm (in.)
RH 571-5L	39 (83)	35	28-34 (1,10-1,34)
RH 571-5LS	39 (83)	33	28-34 (1,10-1,34)
RH 572E	37 (78)	34	28-34 (1,10-1,34)
RH 658L	58 (123)	34	29-40 (1,14-1,57)
RH 658LS	58 (123)	34	29-40 (1,14-1,57)

Dichiarazione in materia di rumore e vibrazioni

Livello di potenza acustica garantito **L_w** conforme ISO 3744 ai sensi della direttiva 2000/14/CE.

Livello pressione sonora **L_p** ai sensi ISO 11203.

Valore vibrazioni **A** e incertezza **B** determinata secondo ISO20643. Vedere la tabella "Dati di rumore e vibrazioni" per i valori di A, B, ecc.

I valori qui dichiarati sono stati ottenuti mediante test di laboratorio conformi alla direttiva o agli standard indicati e non sono idonei per confronto con i valori dichiarati di altri utensili testati sulla base della stessa direttiva o standard. Tali valori dichiarati non sono adeguati all'uso nelle valutazioni dei rischi e i valori misurati nei singoli luoghi di lavoro possono essere maggiori. I valori di esposizione e i rischi effettivi per ciascun singolo operatore sono unici e dipendono dalle modalità di lavoro dell'operatore, dal materiale con il quale si utilizza la macchina, oltre che dal tempo di esposizione, dalle condizioni fisiche dell'operatore e dalle condizioni della macchina.

Atlas Copco Construction Tools AB non può essere ritenuta responsabile delle conseguenze dell'utilizzo dei valori dichiarati - invece dei valori che riflettono l'esposizione effettiva - nella singola valutazione dei rischi di uno specifico posto di lavoro, sul quale Atlas Copco Construction Tools AB non ha controllo.

Questo utensile può causare una sindrome da vibrazioni mano-braccio se non utilizzato nella maniera idonea. Una guida EU per la gestione delle vibrazioni mano-braccio è reperibile all'indirizzo <http://www.humanvibration.com/EU/VIBGUIDE.htm>

Raccomandiamo un programma di sorveglianza sanitaria per rilevare sintomi precoci che possano essere correlati con l'esposizione alle vibrazioni, in maniera tale che le procedure di gestione possano essere modificate per aiutare a prevenire invalidità future.

Dati su rumore e vibrazioni

Modello	Rumore		Vibrazioni	
	Valori dichiarati		Valori dichiarati	
	Pressione sonora	Potenza suono	Valori tre assi	
	ISO 11203	2000/14/CE	ISO 20643	
	Lp r=1m dB(A) rel 20µPa	Lw garantiti dB(A) rel 1pW	A media m/s ² valore	B media m/s ²
RH 571-5L	106	119	23,2	2,8
RH 571-5LS	99	112	23,2	2,8
RH 572E	100	113	9,7	1,9
RH 658L	106	116	21,2	2,6
RH 658LS	99	112	21,2	2,6

Accessori

Descrizione	Note	Quantità	Codice
CLG 30, tipo europeo	Sia per olio minerale che sintetico	1	8202 5102 39
BLG 30, tipo europeo	Per olio minerale	1	8202 5102 05
VAM 01, tipo europeo	Flusso d'aria <50 l/s (106 ft ³ /min)	1	8092 0110 58
VAM 5A, tipo europeo	Flusso d'aria <120 l/s (254 ft ³ /min)	1	8092 0110 82
Tubo in gomma, premontato	20 mm (¾")	1	9030 2047 00
Tubo piatto X-LITE, universale	20 mm (¾")	1	9030 2115 00
Rock Drill AIR-OIL	4 l	1	8099 0201 04
Rock Drill AIR-OIL	10 l	1	8099 0201 10

Dichiarazione di conformità CE

Dichiarazione di conformità CE (Direttiva CE 2006/42/CE)

Atlas Copco Construction Tools AB, con il presente documento dichiara che i macchinari elencati di seguito sono conformi ai requisiti specificati dalle Direttive CE 2006/42/CE (Direttiva macchine), nonché agli standard armonizzati specificati di seguito.

Perforatrici	Codice	Pmax (bar)
RH 571-5L	8311 0301 29	7
RH 571-5LS	8311 0301 37	7
RH 572E	8311 0301 78	7
RH 658L	8311 0302 86	7
RH 658LS	8311 0302 87	7

Rappresentante autorizzato Documentazione Tecnica:

Erik Sigfridsson
Atlas Copco Constructions Tools AB
Dragonvägen 2
Kalmar

Direttore Generale:

Erik Sigfridsson

Produttore:

Atlas Copco Constructions Tools AB
105 23 Stockholm
Sweden

Luogo e data:

Kalmar, 2010-01-01

NEDERLANDS

Inhoud

Inleiding.....	149
Over de veiligheidsvoorschriften en bedieningshandleiding.....	149
Veiligheidsvoorschriften.....	150
Veiligheidssignaaltermen.....	150
Persoonlijke voorzorgsmaatregelen en kwalificaties.....	150
Persoonlijke veiligheidsuitrusting.....	150
Drugs, alcohol of medicijnen.....	150
Installatie, voorzorgsmaatregelen.....	150
Bediening, voorzorgsmaatregelen.....	151
Onderhoud, voorzorgsmaatregelen.....	156
Opslag, voorzorgsmaatregelen.....	156
Overzicht.....	157
Ontwerp en functie.....	157
Werkingsprincipe van een rotsboor.....	157
Regelklepmechanisme.....	157
Rotatiemechanisme.....	157
Spoelfunctie.....	157
Hoofdonderdelen.....	157
Stickers.....	158
Gegevensplaatje.....	158
Veiligheidssticker.....	158
Installatie.....	158
Uitpakken van de steenboor.....	158
Plastic beschermingen.....	158
In elkaar zetten.....	159
Smeren.....	159
Slangen en aansluitingen.....	159
Methoden om bevroren te voorkomen.....	159
Aansluiten van een waterafscheider.....	159
Smering.....	160
Drukafstelling.....	160
Luchtdruk.....	160
Kalibreer de juiste luchtdruk.....	160
Boorhamerstaal.....	160
Vóór het plaatsen van het boorstaal.....	160
Monteren van het boorstaal.....	160
Verwijderen van het boorstaal.....	161
Bediening.....	162
Vorbereidingen voor de start.....	162
Controleer de boorapparatuur.....	162
Doorblazen van de luchtslang.....	162
Vul het smeeraapparaat met olie.....	162
Bedieningen.....	162
Smooklephendel.....	162
Starten en stoppen.....	163
Starten van de steenboor.....	163
Stoppen van de steenboor.....	163
Bediening.....	163
Boren.....	163
Bij een pauze.....	163

Onderhoud	163
Verschillen tussen originele onderdelen en namaakonderdelen	164
Iedere dag	164
Controleren op slijtage	164
Periodiek onderhoud	165
Aanhaalkoppel	165
Schadepatronen	165
Opslag	165
Opruimen	165
Technische gegevens	166
Machinegegevens	166
Geluids- en trillingsverklaring	166
Geluids- en trillingsgegevens	167
Accessoires	167
EG Conformiteitsverklaring	168
EG Conformiteitsverklaring (EG-richtlijn 2006/42/EG)	168

Inleiding

Dank u voor het kiezen van een product van Atlas Copco. Sinds 1873 zetten we ons al in voor het vinden van nieuwe en betere manieren om te voorzien in de behoeften van onze klanten. Door de jaren heen hebben we innovatieve en ergonomische producten ontwikkeld die onze klanten hielpen hun dagelijkse werkzaamheden te verbeteren en te rationaliseren.

Atlas Copco beschikt over een sterk wereldwijd verkoop- en servicenetwerk, bestaand uit klantencentra en distributeurs over de gehele wereld. Onze experts zijn hoog opgeleide professionals met uitgebreide productkennis en praktijkervaring. In alle uithoeken van de wereld kunnen we productondersteuning en expertise bieden, om ervoor te zorgen dat onze klanten op ieder moment kunnen werken met maximale efficiëntie.

Bezoek voor meer informatie: www.atlascopco.com

Atlas Copco Construction Tools AB

105 23 Stockholm

Sweden

Over de veiligheidsvoorschriften en bedieningshandleiding

Het doel van de aanwijzingen is u te leren hoe u de steenboor op efficiënte en veilige wijze gebruikt. De aanwijzingen bevatten ook adviezen en informatie over de manier waarop u de steenboor regelmatig onderhoudt.

Voordat u de steenboor voor het eerst gaat gebruiken, moet u deze aanwijzingen zorgvuldig lezen en alles goed hebben begrepen.

Veiligheidsvoorschriften

Om het risico van ernstig letsel of zelfs overlijden voor uzelf of anderen te beperken, dient u deze Veiligheidsvoorschriften en bedieningshandleiding te hebben gelezen en begrepen voordat u de machine installeert, in gebruik neemt, repareert, onderhoudt of accessoires van de machine vervangt.

Hang deze Veiligheidsvoorschriften en bedieningshandleiding op bij werkplekken, zorg voor kopieën voor werknemers en verzeker u ervan dat iedereen de Veiligheidsvoorschriften en bedieningshandleiding heeft gelezen alvorens de machine te gebruiken of te onderhouden.

Bovendien dient de gebruiker, of de werkgever van de gebruiker, de specifieke risico's te beoordelen, die verbonden kunnen zijn aan de desbetreffende toepassing van de machine.

Veiligheidssignaaltermen

De veiligheidssignaaltermen Gevaar, Waarschuwing en Voorzichtig hebben de volgende betekenissen:

GEVAAR

Duidt op een gevaarlijke situatie die, indien deze niet wordt vermeden, de dood of ernstig letsel tot gevolg zal hebben.

WAARSCHUWING

Duidt op een gevaarlijke situatie die, indien deze niet wordt vermeden, de dood of ernstig letsel tot gevolg kan hebben.

VOORZICHTIG

Duidt op een gevaarlijke situatie die, indien deze niet wordt vermeden, gering of middelzwaar letsel tot gevolg kan hebben.

Persoonlijke voorzorgsmaatregelen en kwalificaties

De machine mag uitsluitend worden bediend en onderhouden door hiertoe gekwalificeerde en opgeleide personen. Ze dienen fysiek in staat te zijn om de massa, het gewicht en de kracht van het gereedschap aan te kunnen. Gebruik altijd uw gezond verstand en beoordelingsvermogen.

Persoonlijke veiligheidsuitrusting

Gebruik altijd goedgekeurde beschermende uitrusting. Operators en alle andere personen binnen het werkgebied moeten beschermende uitrusting dragen, minimaal bestaand uit:

- Veiligheidshelm
- Gehoorbescherming
- Slagvaste oogbescherming met zijwaartse bescherming
- Bescherming van de luchtwegen indien van toepassing
- Veiligheidshandschoenen
- Geschikte veiligheidsschoenen/laarzen
- Een geschikte werkoverall of soortgelijke kleding (niet loszittend) die uw armen en benen bedekt.

Drugs, alcohol of medicijnen

▲ WAARSCHUWING Drugs, alcohol of medicijnen

Drugs, alcohol en medicijnen kunnen uw beoordelings- en concentratievermogen beïnvloeden. Een gebrekkig reactievermogen en onjuiste beoordelingen kunnen leiden tot ernstige ongevallen of zelfs de dood.

- ▶ Gebruik de machine nooit als u vermoeid bent of onder de invloed van drugs, alcohol of medicijnen.
- ▶ Geen enkele persoon die onder de invloed is van drugs, alcohol of medicijnen mag de machine bedienen.

Installatie, voorzorgsmaatregelen

▲ GEVAAR Zwiependе luchtslang

Een persluchtslang die is losgekomen, kan rondslaan en persoonlijk letsel of de dood veroorzaken. Neem de volgende voorzorgsmaatregelen om dit risico te beperken:

- ▶ Controleer de persluchtslang en de koppelingen op beschadiging en vervang ze indien vereist.
- ▶ Controleer of alle persluchtkoppelingen goed bevestigd zijn.
- ▶ Draag pneumatische machines nooit aan de luchtslang.
- ▶ Probeer nooit een persluchtslang die onder druk staat te ontkoppelen. Zet eerst de perslucht af aan de compressor en ontluicht vervolgens de machine door de start- en stopvoorziening te bedienen.

- ▶ Richt een perslucht slang nooit op uzelf of iemand anders. Om het risico van lichamelijk letsel te vermijden, dient u nooit perslucht te gebruiken om stof, vuil, enz., van uw kleding te verwijderen.
- ▶ Gebruik geen snelkoppelingen aan de inlaat van het gereedschap. Gebruik slangkoppelingen met schroefdraad van gehard staal (of materiaal met een vergelijkbare schokweerstand).
- ▶ Bij gebruik van universele draaikoppelingen (klauwkoppelingen) adviseren we om altijd vergrendelingspennen te monteren en veiligheidskabels (whipcheck) te gebruiken, ter bescherming tegen eventuele defecten aan de aansluiting van slang op gereedschap en van slang op slang.

▲ WAARSCHUWING Uitgeworpen inzetgereedschap

Als de gereedschapshouder op de machine niet in de vergrendelde stand staat, kan het inzetgereedschap met kracht worden uitgeworpen, wat persoonlijk letsel kan veroorzaken.

- ▶ Nooit de machine starten tijdens het verwisselen van het inzetgereedschap.
- ▶ Voordat u inzetgereedschappen of accessoires vervangt: zet de machine af, schakel de persluchttoevoer uit en ontlucht de machine door de start- en stopvoorziening te bedienen.
- ▶ Richt het inzetgereedschap nooit op u zelf of iemand anders.
- ▶ Zorg ervoor dat het inzetgereedschap volledig in de houder is geplaatst en dat de gereedschapshouder in de vergrendelde stand staat, voordat de machine wordt gestart.
- ▶ Controleer de vergrendelingsfunctie door het inzetgereedschap met kracht naar buiten te trekken.

▲ WAARSCHUWING Bewegend / slippend inzetgereedschap

Een onjuiste afmeting van de steel van het inzetgereedschap kan erin resulteren dat het inzetgereedschap verloren raakt of eruit glijdt tijdens het gebruik. Risico van ernstig letsel of verbrijzelde handen en vingers.

- ▶ Controleer of het inzetgereedschap beschikt over de steellengte en de afmetingen waarvoor de machine is bedoeld.
- ▶ Gebruik nooit een inzetgereedschap zonder kraag.

Bediening, voorzorgsmaatregelen

▲ GEVAAR Explosiegevaar

Als warme inzetgereedschappen in contact komen met explosieven, kan dit een explosie veroorzaken. Bij werk aan bepaalde materialen en toepassing van bepaalde materialen in machineonderdelen, kunnen vonken en ontvlaming optreden. Explosies zullen leiden tot ernstig letsel of zelfs de dood.

- ▶ Gebruik de machine nooit in explosieve omgevingen.
- ▶ Gebruik de machine nooit in de nabijheid van ontvlambare materialen, gassen of stof.
- ▶ Controleer of er geen ongedetecteerde gasbronnen of explosieven zijn.
- ▶ Boor nooit in een oud gat.

▲ WAARSCHUWING Onverwachte bewegingen

Het inzetgereedschap wordt blootgesteld aan hevige spanningen als de machine wordt gebruikt. Het inzetgereedschap kan breken op grond van moeheid na een bepaalde gebruiksduur. Als het inzetgereedschap breekt of stuk gaat, kan er sprake zijn van een onverwachte beweging die letsel kan veroorzaken. Verder kan het verliezen van uw balans of uitglijden letsel veroorzaken.

- ▶ Zorg ervoor dat uw positie altijd stabiel is, met uw voeten zover van elkaar als uw schouders breed zijn, en houd uw lichaamsgewicht in balans.
- ▶ Altijd de apparatuur inspecteren voorafgaand aan het gebruik. Gebruik de apparatuur nooit als u vermoedt dat deze beschadigd is.
- ▶ Zorg ervoor dat de handgrepen schoon en vrij van vet en olie zijn.
- ▶ Houd uw voeten weg van het inzetgereedschap.
- ▶ Sta stevig en houd de machine altijd met beide handen vast.
- ▶ Boor nooit in een oud gat.
- ▶ Start de machine nooit als deze op de grond ligt.
- ▶ Nooit op de machine "rijden" met een been over de handgreep.
- ▶ Nooit op de apparatuur slaan of deze verkeerd gebruiken.
- ▶ Controleer het inzetgereedschap regelmatig op slijtage en controleer of er tekenen zijn van schade of zichtbare barsten.
- ▶ Schenk aandacht aan en kijk naar waar u mee bezig bent.

▲ WAARSCHUWING Vastloopgevaar

Als het inzetgereedschap tijdens het gebruik vast gaat zitten, zal de hele machine gaan roteren als u uw grip verliest. Een dergelijke onverwachte rotatie van de gehele machine kan ernstig letsel of de dood veroorzaken.

- ▶ Sta stevig en houd de machine altijd met beide handen vast.
- ▶ Zorg ervoor dat de hendel/hendels schoon zijn en vrij van vet en olie.
- ▶ Boor nooit in een oud gat.

▲ WAARSCHUWING Gevaar voor klemming

Het risico bestaat dat halsdoeken, haar, handschoenen en kledij worden meegenomen of geklemd door insteekgereedschappen of boorgereedschap. Dit kan leiden tot verstikking, uitrukken van haar en kan ook zelfs de dood tot gevolg hebben. Om dit risico te vermijden is het aangewezen om:

- ▶ Nooit een draaiende boorstang aan te raken of vast te nemen.
- ▶ Dragen van loshangende halsdoeken, handschoenen en kledij die kunnen gegrepen worden te vermijden.
- ▶ Draag lange haren in een haarnet.

▲ WAARSCHUWING Gevaren van stof en damp

Stof en/of dampen, die ontwikkeld worden of vrijkomen tijdens het gebruik van de machine, kunnen ernstige en permanente ademhalingsaandoeningen, ziekten of ander lichamelijk letsel veroorzaken (zoals silicose (stoflong) of andere chronische en mogelijk fatale longziekten, kanker, geboorteafwijkingen en/of huidontstekingen).

Bepaalde stofdeeltjes en dampen, die geproduceerd worden bij boren, slopen, hameren, zagen, slijpen en andere bouwactiviteiten, bevatten stoffen die volgens de Staat Californië en andere overheden ziekten van de ademhalingswegen, kanker, geboorteafwijkingen of andere voortplantingsstoringen veroorzaken. Voorbeelden van dergelijke stoffen zijn:

- Kristalsilicaat, cement en andere metselwerkproducten.
- Arseniek en chroom van chemisch behandeld rubber.
- Lood van op lood gebaseerde verfstoffen.

De in de lucht aanwezige stof en dampen kunnen met het blote oog onzichtbaar zijn. Vertrouw daarom niet op uw gezichtsvermogen om te bepalen of de lucht stof of dampen bevat.

Neem, om het gevaar van blootstelling aan stof en dampen te reduceren, de volgende voorzorgsmaatregelen:

- ▶ Voer een risicobeoordeling uit, die specifiek is voor de werkplek. Deze risicobeoordeling dient rekening te houden met stof en dampen die door de machine worden geproduceerd en met de mogelijkheid dat reeds aanwezig stof opwervelt.
- ▶ Gebruik geschikte constructiemiddelen om de hoeveelheid stof en dampen in de lucht en stofvorming op apparatuur, oppervlakken, kleding en lichaamsdelen tot een minimum te reduceren. Voorbeelden van dergelijke middelen zijn: uitlaatventilatie en stofopvangsystemen, waterspray en nat boren. Beperk de vorming van stof en dampen zo veel mogelijk bij hun bronnen. Zorg ervoor dat zulke hulpmiddelen naar behoren worden geïnstalleerd en onderhouden.
- ▶ Draag, onderhoud en gebruik alle adembeschermingsmiddelen correct volgens de aanwijzingen van uw werkgever en de wettelijke ARBO-voorschriften. De adembeschermingsmiddelen moeten doelmatig zijn voor het stoftype in kwestie (en, indien van toepassing, zijn goedgekeurd door de desbetreffende overheidsinstantie).
- ▶ Werk in een goed geventileerde ruimte.

- ▶ Als de machine een uitlaat heeft: richt de uitlaat dusdanig dat het opwervelen van stof in stoffige omgevingen zo goed mogelijk wordt voorkomen.
- ▶ Bedien en onderhoud de machine volgens de Veiligheidsvoorschriften en bedieningshandleiding.
- ▶ Kies, onderhoud en vervang verbruiksartikelen, inzetgereedschappen en andere accessoires volgens de aanbevelingen in de Veiligheidsvoorschriften en bedieningshandleiding. Een foutieve keuze en gebrekkig onderhoud van verbruiksartikelen, inzetgereedschappen en andere accessoires, kunnen resulteren in een nodeloze toename van de hoeveelheid stof en/of dampen.
- ▶ Draag ter bescherming op de werkplek wasbare kleding of wegwerpkleding. Neem een douche en trek schone kleren aan voordat u de werkplek verlaat om blootstelling aan stof en dampen van uzelf en anderen, auto's, woningen en andere plekken te reduceren.
- ▶ Eet en drink niet en gebruik geen tabaksproducten op plaatsen waar stof of dampen aanwezig zijn.
- ▶ Was uw handen en gezicht zo snel mogelijk na het verlaten van een plaats van blootstelling en altijd voordat u eet, drinkt of tabaksproducten gebruikt en voordat u in contact komt met andere mensen.
- ▶ Neem alle toepasselijke wettelijke voorschriften en bepalingen in acht, met inbegrip van de ARBO-voorschriften.
- ▶ Neem deel aan de door uw werkgever of werknemersorganisatie georganiseerde activiteiten op het gebied van luchtbewaking, medisch onderzoek en ARBO-cursussen, in overeenstemming met de geldende gezondheids- en veiligheidsvoorschriften en -adviezen. Raadpleeg artsen met ervaring van beroepsgerelateerde geneeskunde.
- ▶ Werk samen met uw werkgever en werknemersorganisatie om de blootstelling aan stof en dampen op de werkplek tegen te gaan en de risico's hiervan te reduceren. Effectieve programma's ter bevordering van de gezondheid en veiligheid evenals procedures voor de bescherming van werknemers en anderen tegen schadelijke blootstelling aan stof en dampen, dienen te worden opgesteld en geïmplementeerd op basis van adviezen van gezondheids- en veiligheidsdeskundigen. Raadpleeg deskundigen.

▲ WAARSCHUWING Projectielen

Als werkstukken, accessoires of de machine zelf stukgaan, kan dit tot gevolg hebben dat er projectielen met hoge snelheid vrijkomen. Tijdens het gebruik kunnen splinters of andere deeltjes van het materiaal waarmee wordt gewerkt projectielen worden en persoonlijk letsel veroorzaken, doordat ze de gebruiker of andere personen raken. Neem de volgende voorzorgsmaatregelen om dit risico te beperken:

- ▶ Gebruik goedgekeurde persoonlijke beschermingsmiddelen en een veiligheidshelm, inclusief een stootvaste oogbescherming met zijdelingse bescherming.
- ▶ Zorg ervoor dat onbevoegde personen geen toegang hebben tot het werkgebied.
- ▶ Houd de werkplek vrij van vreemde voorwerpen.
- ▶ Verzeker u ervan dat werkstukken stevig en veilig bevestigd zijn.

▲ WAARSCHUWING Gevaren van splinters

Als men inzetgereedschappen gebruikt om er met de hand mee te slaan, kan dit tot gevolg hebben dat de gebruiker door splinters getroffen wordt, wat persoonlijk letsel kan veroorzaken.

- ▶ Gebruik inzetgereedschappen onder geen beding om er met de hand mee te slaan. Ze hebben een speciaal ontwerp en warmtebehandeling, die uitsluitend bedoeld zijn voor gebruik in een machine.

▲ WAARSCHUWING Gevaren van uitglijden, struikelen en vallen

Het risico van uitglijden, struikelen en vallen is aanwezig, bij voorbeeld dat men over slangen of andere voorwerpen struikelt. Uitglijden, struikelen en vallen kunnen lichamelijk letsel veroorzaken. Neem de volgende voorzorgsmaatregelen om dit risico te beperken:

- ▶ Zorg er altijd voor dat er geen slangen en andere voorwerpen voor uzelf en voor anderen in de weg liggen.
- ▶ Zorg er altijd voor dat uw stabiel staat – met uw voeten zover uit elkaar als uw schouders breed zijn – en met uw lichaamsgewicht in evenwicht.

▲ WAARSCHUWING Gevaren van bewegingen

Als u de machine gebruikt voor werkgerelateerde activiteiten, kunt u ongemak ervaren in uw handen, armen, schouders, nek en andere lichaamsdelen.

- ▶ Neem een comfortabele werkhouding aan, met uw voeten in een veilige stand en vermijd ongemakkelijke houdingen uit evenwicht.
- ▶ Het wisselen van houding tijdens langdurige taken kan helpen om ongemak en vermoeidheid te voorkomen.
- ▶ Raadpleeg bij aanhoudende of herhaalde symptomen een gekwalificeerde gezondheidswerker.

▲ WAARSCHUWING Gevaren van trillingen

Normaal en correct gebruik van de machine stelt de gebruiker bloot aan trillingen. Regelmatige en frequente blootstelling aan trillingen kan letsel veroorzaken. Het kan ertoe bijdragen dat aandoeningen ontstaan of verergeren aan de vingers, handen, armen, polsen, schouders en/of andere zenuwen en aan de bloedtoevoer of andere lichaamsdelen van de gebruiker. Verzwakking en/of blijvend letsel of aandoeningen kunnen zich ook geleidelijk voordoen in de loop van weken, maanden of jaren. Dergelijk letsel en aandoeningen kunnen ook omvatten: schade aan de bloedsomloop, schade aan het zenuwstelsel, schade aan gewrichten evenals mogelijke schade aan andere lichaamsdelen.

Als ongevoeligheid, aanhoudend lichamelijke ongemak, brandend gevoel, stijfheid, kloppen, tintelen, pijn, onhandigheid, een verzwakte grip, verbleking van de huid of andere symptomen op welk moment dan ook optreden tijdens het bedienen van de machine of tijdens het niet bedienen van de machine: ga niet weer met de machine aan de slag, maar informeer uw werkgever en zoek medische hulp. Als men de machine blijft gebruiken nadat zich een dergelijk symptoom heeft voorgedaan, kan dit het risico verhogen dat de symptomen ernstiger en/of blijvend worden.

Gebruik en onderhoud de machine volgens de aanbevelingen in deze handleiding om nodeloze toename van trillingen te voorkomen.

De volgende aandachtspunten kunnen helpen om de blootstelling aan trillingen van de gebruiker te reduceren:

- ▶ Laat het gereedschap het werk doen. Gebruik een minimale handgrip, strokend met een degelijke controle en veilige bediening.
- ▶ Als de machine trillingsabsorberende handgrepen heeft: houd deze in een centrale positie en druk de handgrepen niet in de eindstopstanden.
- ▶ Als u het slagmechanisme hebt geactiveerd, is het enige lichamelijke contact dat u met de machine dient te hebben, via uw handen op de handgreep/handgrepen. Vermijd enig ander contact, bijv. het steunen van lichaamsdelen tegen de machine of het leunen op de machine om te proberen meer kracht te zetten. Het is ook belangrijk dat de start- en stopvoorziening niet ingeschakeld is als u het gereedschap uit het gebroken werkoppervlak verwijdt.

- ▶ Zorg ervoor dat het inzetgereedschap goed wordt onderhouden (inclusief de scherpte, als het een snijdend gereedschap is), niet versleten is en van de juiste afmeting. Bij gebruik van inzetgereedschappen die niet goed zijn onderhouden, die versleten zijn of niet de juiste afmetingen hebben, duurt het langer om een karwei af te maken (en wordt men dus langer blootgesteld aan trillingen) en het kan tevens resulteren in, of bijdragen aan hogere niveaus van blootstelling aan trillingen.
- ▶ Stop onmiddellijk met werken als de machine plotseling hevig begint te trillen. Voordat u verder werkt, moet u eerst de oorzaak van de toegenomen trilling opsporen en wegnemen.
- ▶ Het inzetgereedschap nooit vastpakken, vasthouden of aanraken zo lang u de machine gebruikt.
- ▶ Neem deel aan programma's voor gezondheidsbewaking of controle, medisch onderzoek en aan de opleidingen die u worden aangeboden door uw werkgever en als die wettelijk vereist zijn.
- ▶ Draag bij werk in een koude omgeving warme kleding en houd uw handen warm en droog.

Zie de "Geluids- en trillingsverklaring" voor de machine, met inbegrip van de vermelde trillingswaarden. Deze informatie vindt u aan het eind van de Veiligheidsvoorschriften en bedieningshandleiding.

- ◆ Zorg dat de luchtdruk is zoals aanbevolen als u de machine gebruikt. Zowel een hogere als een lagere luchtdruk kan mogelijk resulteren in hogere trillingniveaus.

▲ GEVAAR Elektrisch gevaar

De machine is niet elektrisch geïsoleerd. Als de machine in contact komt met elektriciteit, kan dat leiden tot ernstig letsel of de dood.

- ▶ De machine nooit bedienen in de buurt van een elektriciteitskabel of een andere elektriciteitsbron.
- ▶ Verzeker u ervan dat er geen sprake is van verborgen bedrading of andere elektriciteitsbronnen binnen het werkterrein.

▲ WAARSCHUWING Gevaar van een verborgen object

Tijdens het gebruik kunnen verborgen kabels en buizen een gevaar vormen dat kan resulteren in ernstig letsel.

- ▶ Controleer de samenstelling van het materiaal voordat u aan de slag gaat.
- ▶ Kijk uit voor verborgen kabels en buizen van b.v. elektriciteit, telefoon, water, gas en riolen etc.
- ▶ Als het inzetgereedschap een verborgen object geraakt lijkt te hebben, zet de machine dan onmiddellijk af.
- ▶ Verzeker u ervan dat er geen gevaar dreigt voordat u verder gaat.

▲ WAARSCHUWING Onbedoeld starten

Als de machine per abuis wordt gestart, kan dit letsel veroorzaken.

- ▶ Houd uw handen weg van de start- en stopvoorziening totdat u gereed bent om de machine te starten.
- ▶ Leer hoe u de machine in noodgevallen uitschakelt.
- ▶ Laat de start- en stopvoorziening altijd onmiddellijk los zodra de voeding uitvalt.
- ▶ Voordat u het inzetgereedschap monteert of verwijderd: schakel eerst de luchtoevoer uit, ontlucht de machine door de start- en stopvoorziening in te drukken en ontkoppel de machine uit.

▲ WAARSCHUWING Gevaar door geluid

Hoge geluidsniveaus kunnen permanent en schadelijk gehoorverlies veroorzaken, evenals andere klachten, zoals tinnitus (rinkelen, zoemen, fluiten of gonzen in de oren). Neem de volgende voorzorgsmaatregelen om de risico's te verminderen en nodeloos hoge geluidsniveaus te voorkomen:

- ▶ Een risicobeoordeling van deze gevaren en adequate voorzorgsmaatregelen zijn van essentieel belang.
- ▶ Bedien en onderhoud de machine volgens deze aanwijzingen.
- ▶ Kies, onderhoud en vervang het inzetgereedschap volgens deze aanwijzingen.
- ▶ Als de machine een geluidsdemper heeft: controleer of hij aanwezig is en in goede bedrijfsstaat verkeert.
- ▶ Draag altijd een gehoorbescherming.
- ▶ Gebruik geluiddempend materiaal om te voorkomen dat de werkstukken gaan "galmen".

Onderhoud, voorzorgsmaatregelen

▲ WAARSCHUWING Modificeren van de machine

Iedere modificatie van de machine kan resulteren in lichamelijk letsel voor u zelf of anderen.

- ▶ Modificeer de machine onder geen beding. Gemodificeerde machines worden niet gedekt door de garantie of productaansprakelijkheid.
- ▶ Gebruik uitsluitend originele onderdelen, inzetgereedschappen en accessoires die zijn goedgekeurd door Atlas Copco.
- ▶ Vervang beschadigde onderdelen onmiddellijk.
- ▶ Vervang versleten componenten op tijd.

▲ VOORZICHTIG Heet inzetgereedschap

De punt van het inzetgereedschap kan tijdens het gebruik heet en scherp worden. Aanraken kan in brand- en snijletsel resulteren.

- ▶ Raak hete inzetgereedschappen onder geen beding aan.
- ▶ Wacht tot het inzetgereedschap is afgekoeld alvorens onderhoudswerkzaamheden uit te voeren.

▲ WAARSCHUWING Gevaren van inzetgereedschappen

Als de start- en stopvoorziening tijdens onderhoud of montage per abuis wordt bediend, kan dit ernstig letsel veroorzaken als de voeding is aangesloten.

- ▶ Inspecteer, reinig, monteer en verwijder inzetgereedschappen onder geen beding met aangesloten voeding.

Opslag, voorzorgsmaatregelen

- ◆ Bewaar de machine en gereedschappen op een veilige plaats, buiten het bereik van kinderen en achter slot en grendel.

Overzicht

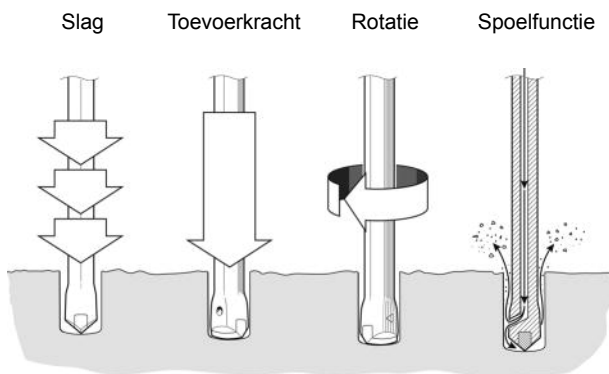
Om het risico van ernstig letsel of overlijden voor u zelf of anderen te reduceren, dient u voordat u de machine gaat gebruiken de Veiligheidsvoorschriften te lezen, die u vindt op de voorgaande pagina's van dit handboek.

Ontwerp en functie

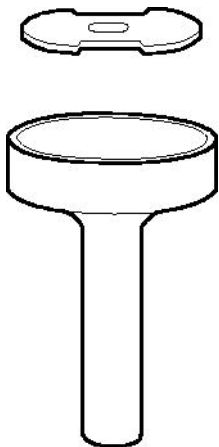
De RH 571, RH 572 en RH 658 zijn pneumatische steenboren die ontworpen zijn voor: verticaal boren, boren van pluggaten evenals boren in beton voor bouw- en mijnbouwtoepassingen. Ander gebruik is niet toegestaan.

Raadpleeg uw plaatselijke Atlas Copco-dealer voor de keuze van de juiste inzetgereedschappen.

Werkingsprincipe van een rotsboor

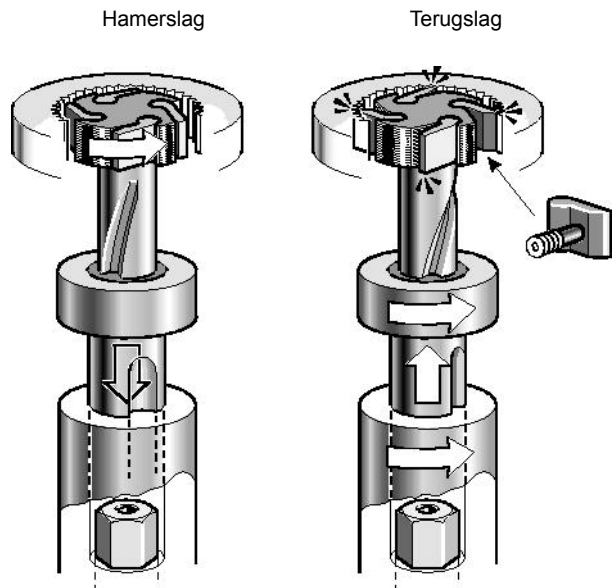


Regelklepmechanisme



De klep richt de lucht beurtelings van de ene zijde naar de andere zijde van de plunjer, zodat deze omhoog en omlaag beweegt. De plunjer brengt de energie via het boorstaal over naar de bodem van het gat.

Rotatiemechanisme

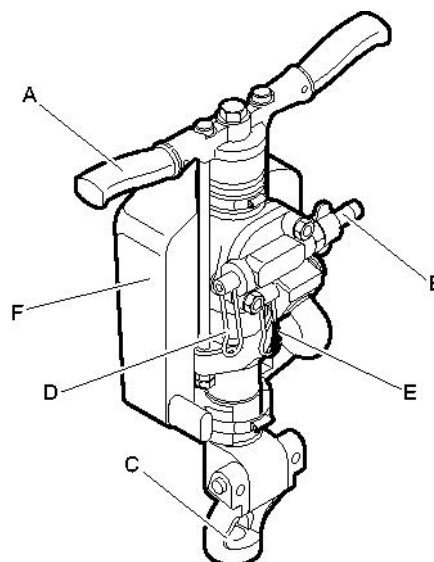


Het boorstaal wordt bij elke slag enigszins rondgedraaid door de rotatie van de gegroefde as. Deze rotatie is tegen de klok in en vindt plaats bij de terugslag van de plunjer.

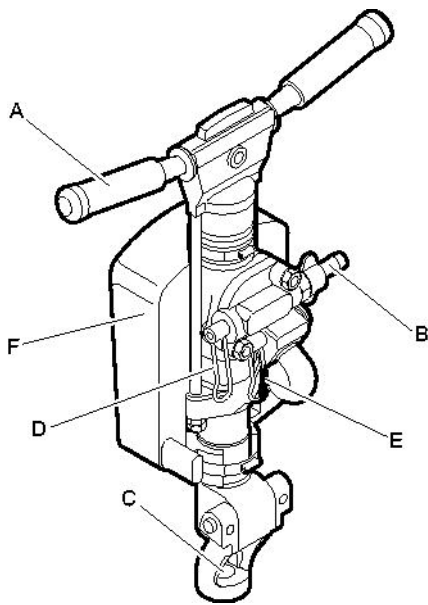
Spoelfunctie

De luchtspoeling vindt plaats via een opening in de plunjer. Dit betekent dat er spoellucht beschikbaar is zodra de perslucht wordt ingeschakeld.

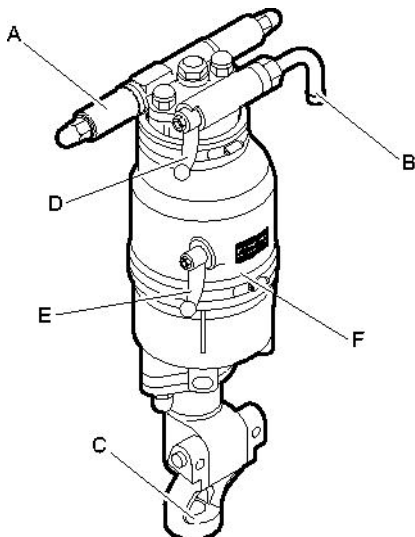
Hoofdonderdelen



RH 571-5L/LS



RH 572E



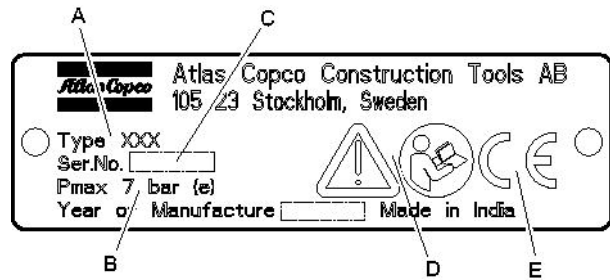
RH 658L/LS

- A. Handgreep
- B. Luchtinlaatnippel
- C. Boorstaalhouder
- D. Smoorklephendel
- E. Extra blaasklephendel
- F. Geluiddemper (optioneel)

Stickers

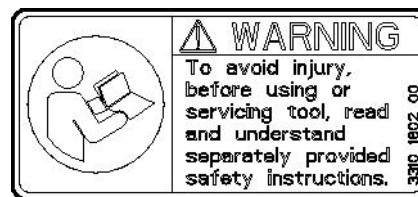
De machine is voorzien van stickers met belangrijke informatie over persoonlijke veiligheid en machineonderhoud. De stickers moeten in dusdanige staat zijn, dat ze makkelijk leesbaar zijn. Nieuwe stickers kunt u bestellen uit de reserveonderdelenlijst.

Gegevensplaatje



- A. Machinetype
- B. Maximaal toegestane luchtdruk
- C. Serienummer
- D. Het waarschuwingssymbool samen met het boeksymbool betekent dat de gebruiker de Veiligheidsvoorschriften en de bedieningshandleiding moet lezen voordat de machine voor het eerst wordt gebruikt.
- E. Het CE-symbool betekent dat de machine een EG-goedkeuring heeft. Zie de bij de machine geleverde EG-verklaring voor meer informatie. Als het CE-symbool ontbreekt, betekent dit dat de machine geen EG-goedkeuring heeft.

Veiligheidssticker



Om letsel te voorkomen, dient u de afzonderlijke veiligheidsvoorschriften te hebben gelezen en begrepen voordat u gereedschappen gebruikt of onderhoudt.

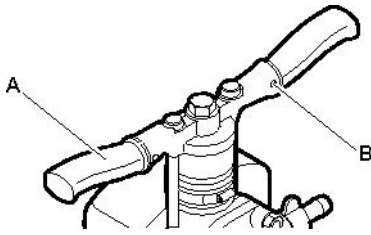
Installatie

Uitpakken van de steenboor

Plastic beschermingen

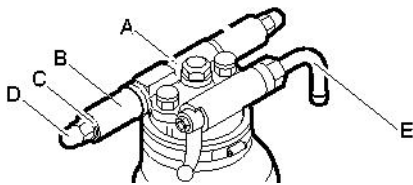
Voordat u de steenboor voor het eerst in gebruik neemt, verwijdert u eerst alle plastic beschermingen uit de slangnippels, ventilatieopeningen en spanklauwplaat.

In elkaar zetten



RH 571-5L/LS

- 1) Druk de bussen en handgrepen (A) op beide zijden van de achterste kop.
- 2) Zet de handgrepen vast door de veerpennen (B) in de achterste kop te tikken.



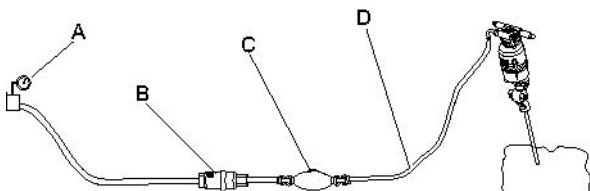
RH 658L/LS

- 1) Plaats de bout voor de handgreep (A) binnenin de achterste kop.
- 2) Plaats de grepen (B) aan weerszijden van de bout voor de handgreep.
- 3) Bevestig de grepen met een ring (C) en een dopmoer (D) aan weerszijden.
- 4) Schroef de slangnippel (E) de luchtinlaat in tot hij vastzit.

Smeren

Giet, nadat u het gereedschap hebt uitgepakt en geïnstalleerd, een royale hoeveelheid smeerolie in de luchtaansluiting.

Slangen en aansluitingen



- A. Persluchtbron
- B. Waterafscheider (optioneel)
- C. Smeerapparaat (optioneel)
- D. Max. 3 meter perslucht slang tussen het smeerapparaat en de machine.

- ◆ Controleer of u de juiste aanbevolen werkdruk, 6 bar (e) gebruikt.
- ◆ De maximaal toegestane luchtdruk van 7 bar (e) mag niet worden overschreden.
- ◆ Blaas eventuele onzuiverheden uit de perslucht slang voordat u hem aansluit op de machine.
- ◆ Kies de juiste afmeting en lengte voor de perslucht slang. Voor slanglengten tot 30 meter moet een slang met een inwendige diameter van 19 mm (3/4") worden gebruikt. Als de slanglengte tussen 30 en 100 meter ligt, moet een slang met een inwendige diameter van minstens 25 mm (1") worden gebruikt.

Methoden om bevroren te voorkomen

Er kan ijsvorming optreden in de geluiddemper als de temperatuur van de omgevingslucht 0-10 °C (32-50 °F) is en de relatieve vochtigheid hoog.

De machine is geconstrueerd om ijsvorming in de geluiddemper te voorkomen. Desondanks kan zich onder extreme omstandigheden ijs vormen in de geluiddemper.

Neem de volgende stappen om het risico van ijsvorming verder tegen te gaan:

- ◆ Gebruik Atlas Copco Rock Drill AIR-OIL als smeermiddel.
- ◆ Gebruik de VAM 5A-waterafscheider.

Als de steenboor bevroest, mag hij onder geen beding worden verwarmd om het ijs te doen smelten. Laat het ijs altijd bij kamertemperatuur ontdooien.

Giet onder geen beding methylalcohol of soortgelijke middelen in de steenboor, aangezien deze middelen van invloed zijn op de smering en méér slijtage veroorzaken.

Aansluiten van een waterafscheider

De lengte van de slang tussen de compressor en de waterafscheider moet zodanig zijn dat de waterdamp wordt gekoeld en condenseert in de slang voordat de waterafscheider wordt bereikt.

Als de omgevingstemperatuur lager is dan 0 °C (32 °F) moet de slang kort genoeg zijn om te voorkomen dat het water bevroest voordat het de waterafscheider bereikt.

Smering

De steenboor wordt gesmeerd met olie die vermengd is met perslucht. Dit mengsel wordt aangevoerd naar de onderdelen die voortdurende smering behoeven. De olie wordt aan de perslucht toegevoegd met behulp van een Atlas Copco CLG 30 smeerapparaat dat is aangesloten op de luchtleiding.

Gebruik Atlas Copco Rock Drill AIR-OIL dat speciaal voor de steenboren BBC, BBD en RH is ontwikkeld. Rock Drill AIR-OIL is biologisch afbreekbaar volgens OECD 301 en het middel bezit een hoge filmsterkte die bestand is tegen zware belastingen. Als er geen Rock Drill AIR-OIL beschikbaar is, gebruikt u een luchtgereedschappenolie op mineraalbasis met de eigenschappen die in onderstaande tabel worden aanbevolen.

Temperatuurbereik (°C)	Viscositeit (ISO 3448)
-30 tot 0	ISO VG 32-68
-10 tot +20	ISO VG 68-100
+10 tot +50	ISO VG 100-150

Drukafstelling

Luchtdruk

Controleer of de compressor de vereiste luchtdruk van 4–6 bar aan het gereedschap kan leveren.

1. Hoge druk veroorzaakt een ruwe werking en buitensporige slijtage.
2. Lage druk resulteert in een langzame boorsnelheid.

Kalibreer de juiste luchtdruk

Gebruik de Atlas Copco (9090 0550 80) drukmeter om de luchtdruk op te meten met de steenboor in werking. De druk moet worden gemeten in de nabijheid van de inlaatnippel. De maximaal toegestane werkdruk is 6 bar.



De drukmeter heeft een naald die men in de slang drukt om de druk inwendig te meten.

Boorhamerstaal

▲ WAARSCHUWING Uitgeworpen inzetgereedschap

Als de gereedschapshouder op de machine niet in de vergrendelde stand staat, kan het inzetgereedschap met kracht worden uitgeworpen, wat persoonlijk letsel kan veroorzaken.

- ▶ Zet voordat u het inzetgereedschap verwisselt de machine af, schakel de persluchttoevoer uit en ontlucht de machine door de start- en stopvoorziening te activeren.

Vóór het plaatsen van het boorstaal

Controleer of de steel van het gereedschap de juiste afmeting en lengte heeft voor de gebruikte boorhouder. De steel moet schoon zijn en het gereedschap moet in goede staat verkeren. Stelen die aan de slagzijde afgebrokkeld, rond, scheef of te hard zijn, zullen niet goed werken en voortijdige plunjerdefecten veroorzaken.

Inspecteer het boorstaal:

Een bot boorstaal heeft een ongunstige invloed op de boorsnelheid en resulteert in een te hoge spanning op het boormechanisme. Controleer als u het boorstaal wisselt of het nieuwe boorstaal de juiste afmeting heeft voor de voorgaande booropening.

Controleer voordat u begint te boren eerst of de spoelopening in het boorstaal niet geblokkeerd is.

▲ VOORZICHTIG Heet inzetgereedschap

De punt van het inzetgereedschap kan tijdens het gebruik heet en scherp worden. Aanraken kan in brand- en snijletsel resulteren.

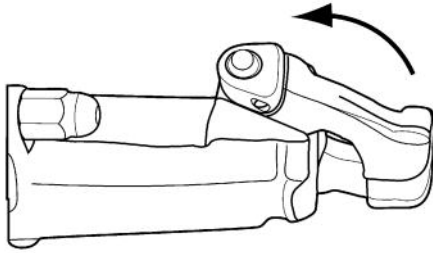
- ▶ Raak hete inzetgereedschappen onder geen beding aan.
- ▶ Wacht tot het inzetgereedschap is afgekoeld alvorens onderhoudswerkzaamheden uit te voeren.

LET OP Koel hete inzetgereedschappen nooit af in water aangezien dit in broosheid en vroegtijdige defecten kan resulteren.

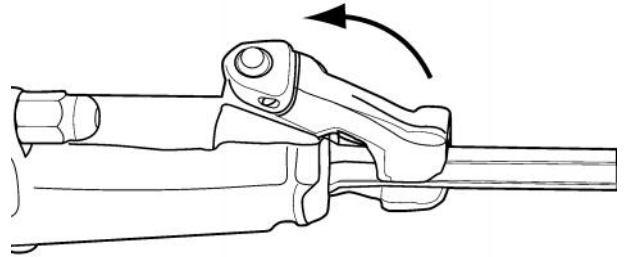
Monteren van het boorstaal

Neem bij het plaatsen van het boorstaal de volgende instructies in acht:

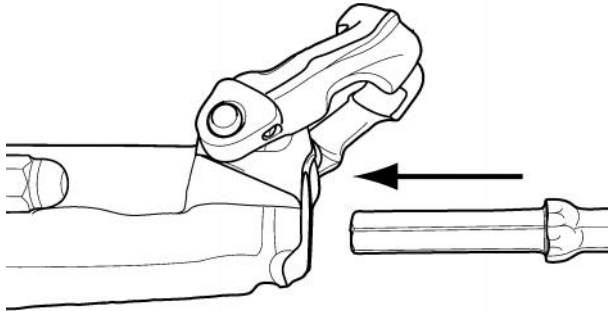
1. Duw de houder naar buiten in de richting van de pijl, tot het voorste deel van de houder plaats biedt aan de kraag van het boorstaal.



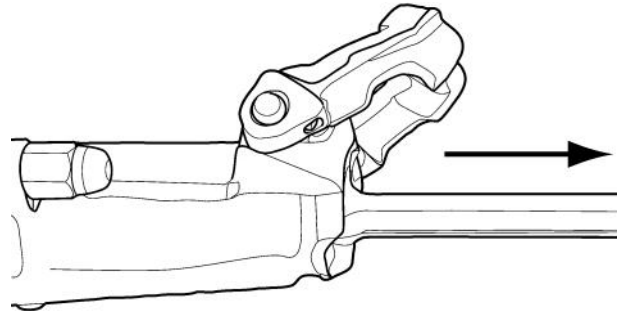
1. Druk de houder naar buiten in de richting van de pijl tot de kraag van het boorstaal vrijkomt van de voorzijde van de houder.



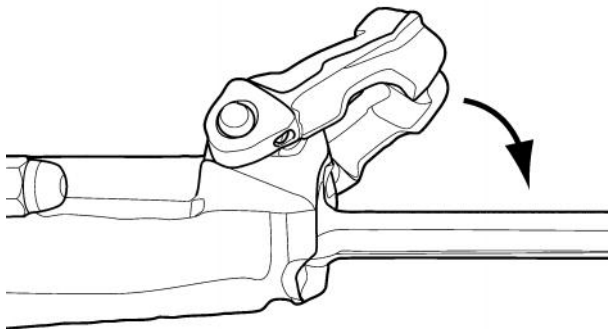
2. Steek het boorstaal in de boorhouder.



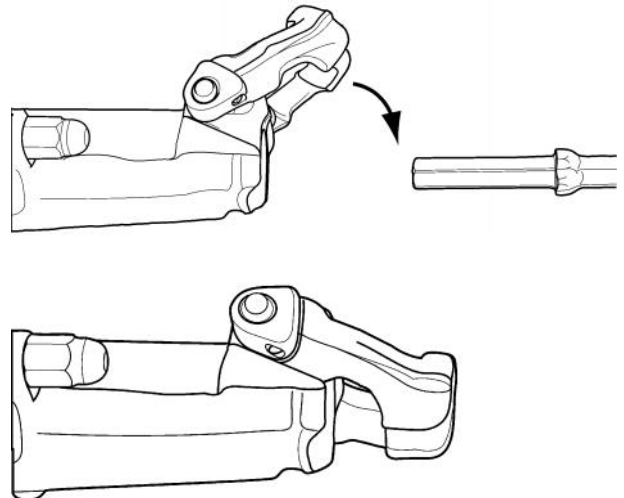
2. Trek het boorstaal naar buiten.



3. Als de boor onderin contact maakt, drukt u de houder terug om hem te vergrendelen.



3. Duw de houder terug.



Verwijderen van het boorstaal

Neem bij het verwijderen van het boorstaal de volgende instructies in acht:

Bediening

⚠ WAARSCHUWING Onbedoeld starten

Als de machine per abuis wordt gestart, kan dit letsel veroorzaken.

- ▶ Houd uw handen weg van de start- en stopvoorziening totdat u gereed bent om de machine te starten.
- ▶ Leer hoe u de machine in noodgevallen uitschakelt.
- ▶ Zet de machine altijd onmiddellijk uit als de voeding uitvalt.

Vorbereidingen voor de start

Controleer de boorapparatuur

- ◆ Controleer of alle boorapparatuur in goede staat verkeert.
- ◆ Controleer of het slagoppervlak van de boorstaalsteel vlak is en geen tekenen van slijtage vertoont.
- ◆ Controleer of de luchtinlaat- en uitlaatpoorten vrij zijn van obstakels.
- ◆ Controleer of de spoelopeningen in het boorstaal en het boorbit niet geblokkeerd zijn en of de lucht en het water er onbelemmerd doorheen kunnen stromen.
- ◆ Controleer of het luchtfilter (dat in de luchtnippel zit) schoon is en niet beschadigd of vervormd is.
- ◆ Controleer of de bevestigingen dicht zijn en niet lekken.

⚠ GEVAAR Zwiependе luchtslang

Als een persluchtslang loskomt, kan hij rond gaan zwiepen en persoonlijk letsel of de dood veroorzaken.

- ▶ Controleer of de persluchtslang en de koppelingen niet beschadigd zijn.
- ▶ Controleer of alle persluchtkoppelingen goed bevestigd zijn.

Doorblazen van de luchtslang

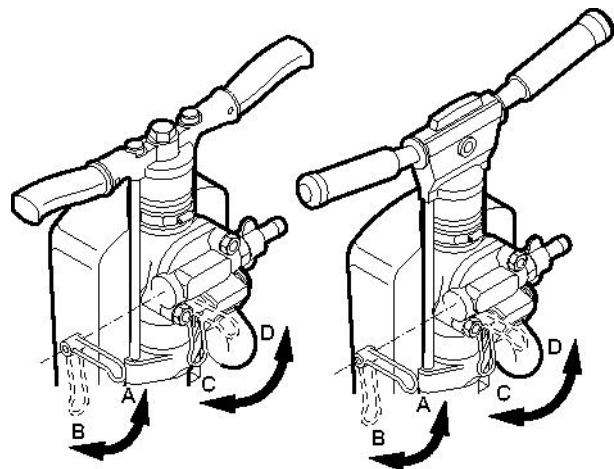
- ◆ Blaas iedere dag, voordat u de boor gebruikt, de luchtslang door om het hier aanwezige vuil en vocht te verwijderen.

Vul het smeerapparaat met olie

- ◆ Controleer of de boorhouder en de steel van het boorstaal altijd zijn bedekt met een laagje olie.

Bedieningen

Smookklephendel

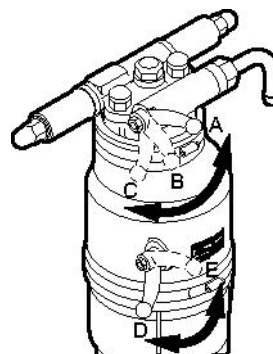


RH 571-5L/LS

RH 572E

De steenboor heeft een smookklephendel voor het regelen van de perslucht naar het slagmechanisme evenals een blaasklephendel voor extra schoonblazen.

- A. Smookklep gesloten (stopstand)
- B. Smookklephendel geheel geopend
- C. Blaasklep gesloten (stopstand)
- D. Blaasklep volledig geopend



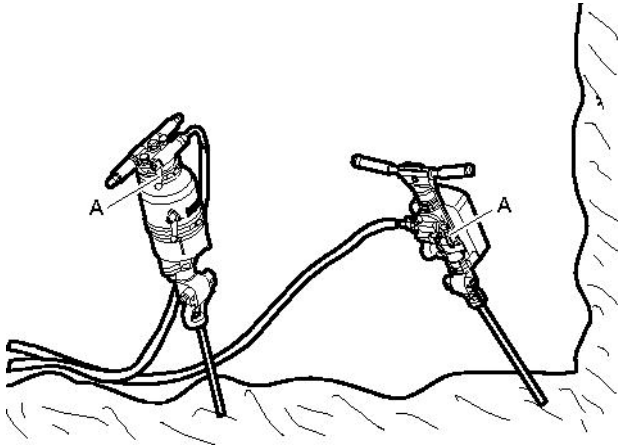
RH 658L/LS

De steenboor heeft een smookklephendel voor het regelen van de perslucht naar het slagmechanisme evenals een blaasklephendel voor extra schoonblazen.

- A. Smookklep gesloten (stopstand)
- B. Smookklephendel half open
- C. Smookklephendel geheel geopend
- D. Blaasklep gesloten (stopstand)
- E. Blaasklep volledig geopend

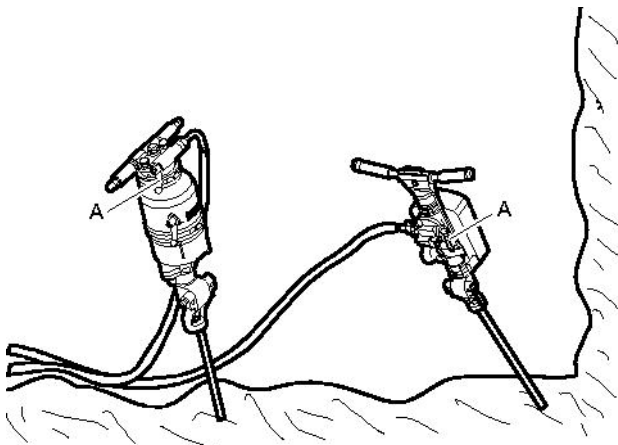
Starten en stoppen

Starten van de steenboor



1. Open de hoofdklep voor de perslucht.
2. Breng de steenboor in lijn, zodat het boorstaal het gewenste ingrijppunt raakt.
3. Beweeg de smookklephendel (A) een beetje vooruit, waardoor de slagbeweging en rotatie gestart worden.
4. Zet aan op het gat met gereduceerde voedingskracht.
5. Beweeg de smoorhendel (A) helemaal naar voren als het boorstaal een goede grip in het steen heeft gekregen.

Stoppen van de steenboor



1. Trek de smookklephendel (A) achteruit naar de gesloten stand. De slagbeweging en rotatie worden nu gestopt.

Bediening

Boren

- ◆ Draag veiligheidsschoenen, handschoenen, gehoorbeschermingen en een slagvaste oogbescherming met zijwaartse bescherming.
- ◆ Sta stevig en houd de machine altijd met beide handen vast.
- ◆ Houd het inzetgereedschap stevig tegen het werkopervlak aan voordat u de machine start.

Bij een pauze

- ◆ Tijdens pauzes moet u de machine altijd op een plaats leggen waar geen risico bestaat dat hij per abuis wordt gestart. Plaats de machine altijd op de grond zodat hij niet kan vallen.
- ◆ Neem de volgende voorzorgsmaatregelen bij langere pauzes of als u de werkplek verlaat: Zet de voeding af en ontlucht de machine vervolgens door de start- en stopvoorziening te bedienen.

Onderhoud

Regelmatig onderhoud is een basisvereiste voor een blijvend veilig en doelmatig gebruik van de machine. Volg de onderhoudsaanwijzingen zorgvuldig.

- ◆ Reinig de machine voordat u begint met onderhoud, om blootstelling aan gevaarlijke stoffen te voorkomen. Zie: "Gevaren van stof en damp"
- ◆ Gebruik alleen originele onderdelen. Schade of defecten die veroorzaakt zijn door het gebruik van niet-originele onderdelen, worden niet gedekt door onze garantie of productaansprakelijkheid.
- ◆ Neem voor het reinigen van mechanische onderdelen met oplosmiddelen de toepasselijke gezondheids- en veiligheidsbepalingen in acht en controleer of er voldoende ventilatie is.
- ◆ Voor grote servicewerkzaamheden aan de machine, neemt u contact op met de dichtstbijzijnde erkende werkplaats.
- ◆ Controleer na servicewerkzaamheden altijd of het trillingsniveau van de machine normaal is. Neem contact op met uw plaatselijke erkende werkplaats als dit niet het geval is.

Verschillen tussen originele onderdelen en namaakonderdelen

Bij de aanschaf van onderdelen moet u eerst nagaan of het desbetreffende onderdeel een Atlas Copco-onderdeel is. U kunt de meeste onderdelen herkennen.



Steenbooronderdelen hebben normaal een aanduiding met het artikelnummer en Atlas Copco-identiteitsteken, dat bestaat uit een cirkel en een steenboor. In enkele gevallen is het onderdeel alleen voorzien van de cirkel of alleen van het artikelnummer.

Rubberen en plastic onderdelen hebben gewoonlijk geen aanduiding.

Concurrenten die onze onderdelen kopiëren, markeren vaak belangrijke, dure onderdelen. Sommige onderdelen hebben alleen het artikelnummer, maar sommige hebben ook een identiteitsteken in de vorm van de initialen van de naam van de fabrikant. Artikelnummers op namaakonderdelen zijn vaak met de hand ingestanst, wat resulteert in oneffenheden. De artikelnummers die door Atlas Copco worden ingestanst, hebben een regelmatige vorm en de individuele cijfers hebben dezelfde afmeting. Bovendien zijn de cijfers overal even diep en is de afstand tussen de cijfers van elke groep identiek.

Iedere dag

Voordat u bij pneumatische machines begint met onderhoud of vervanging van inzetgereedschappen, dient u altijd eerst de luchttoevoer uit te schakelen en de machine te ontlichten door op start- en stopinrichting in te drukken. Maak vervolgens de luchtslang los van de machine.

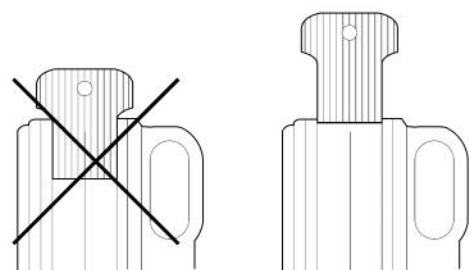
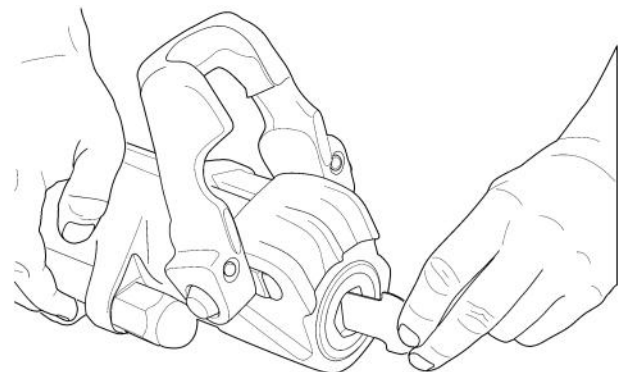
- ◆ Reinig en inspecteer de machine en zijn functies dagelijks voor aanvang van het werk.
- ◆ Verricht een algemene inspectie op lekkage en schade.
- ◆ Controleer of de luchtinlaatnippel is aangehaald en of de klauwkoppeling intact is.

- ◆ Controleer de werking van de smookklephendel. Controleer of hij onbelemmerd omhoog en omlaag kan bewegen.
- ◆ Controleer de werking van de houder. Controleer of hij het boorstaal goed vergrendelt.
- ◆ Vervang beschadigde onderdelen onmiddellijk.
- ◆ Vervang versleten componenten op tijd.
- ◆ Controleer de doorlopende bouten van de machine. Controleer of ze goed zijn aangehaald.
- ◆ Als de machine een geluiddemper heeft: controleer hem op slijtage.

Controleren op slijtage

1. Controleer de slijtage in de boorhouderbus met behulp van het Atlas Copco **(3091 0038 00)** kaliber (22 mm).

Als de slijtagelimiet is overschreden, zal de steel van het boorstaal sneller slijten of vervormd raken. Dit resulteert in méér stilstand en een verhoogd verbruik van boorstaal.

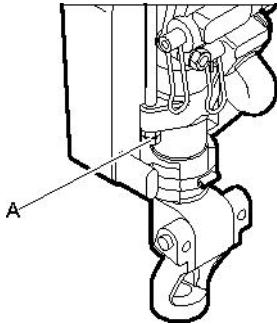


2. Controleer slangen, koppelingen en de bedieningsorganen op lekkage en schade.
3. Controleer of de steenboor genoeg smering krijgt. Vul het smeerapparaat indien vereist.
4. Tap de waterafscheider af.

Periodiek onderhoud

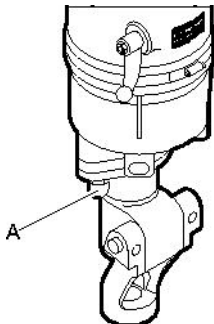
Na iedere gebruikperiode van ongeveer 100 werkuren of drie keer per jaar moet de machine worden ontmanteld en moeten alle onderdelen worden gereinigd en gecontroleerd. Dit werk moet worden uitgevoerd door bevoegd personeel dat is opgeleid voor deze taak.

Aanhaalkoppel



RH 571-5L/LS, RH 572E

A. Zijboutmoer, 90 Nm (66 ft.lbf)



RH 658L/LS

A. Zijboutmoer, 125 Nm (92 ft.lbf)

Schadepatronen

Versleten of defecte onderdelen moeten altijd grondig worden bestudeerd voordat men ze vervangt. Ze kunnen belangrijke informatie verstrekken over de staat van de boor en over de manier waarop hij is gebruikt en onderhouden.

Probleem	Oorzaak
Stalen onderdelen zijn blauw aangelopen	De onderdelen zijn blootgesteld geweest aan buitensporige hitte. Dit kan veroorzaakt zijn door onvoldoende smering of stationair draaien
Stalen onderdelen vertonen kleine, bijna microscopische kloofjes op de slijtvlakken	Zie boven
Onregelmatige putjes in het oppervlak van bronzen onderdelen	Zie boven
Snijplekken	Secundaire schade Vuil in de boor
	Inwendige ontwrichting wegens ongelijkmatige spanning aan de zijbouten

Opslag

- Olie de steenboor altijd grondig in voordat u hem opbergt.
- Bewaar de machine altijd op een schone en droge plaats.
- Zorg ervoor dat er geen vreemde voorwerpen in de machine binnendringen.
- Bescherm de boorhouder met de plastic plug die bij de machine wordt geleverd. Anders kunt u ook een houten plug of een schoon stukje katoenafval gebruiken.
- Ingeval van langdurige opslag: giet wat olie rechtstreeks in de luchtinlaat van de steenboor en zet de lucht kortstondig aan. Dit zal de machine beschermen tegen corrosie.

Opruimen

Een verbruikte machine moet dusdanig worden verwerkt en verwijderd dat het grootst mogelijke deel van het materiaal kan worden gerecycled, dat negatieve effecten op het milieu tot een minimum worden beperkt en met inachtneming van plaatselijke restricties.

Technische gegevens

Machinegegevens

Model	Artikel nummer	Plunjerboring mm (in.)	Slaglengte mm (in.)	Totale lengte mm (in.)	Ge wicht kg (lb)	Steeleafmeting mm (in.)
RH 571-5L	8311 0301 29	55 (2,16)	60 (2,36)	510 20	17,8 (39,2)	22 x 108 (7/8 x 4 1/4)
RH 571-5LS	8311 0301 37	55 (2,16)	60 (2,36)	510 20	18,9 (41,7)	22 x 108 (7/8 x 4 1/4)
RH 572E	8311 0301 78	55 (2,16)	60 (2,36)	583 23	22,8 (50,2)	22 x 108 (7/8 x 4 1/4)
RH 658L	8311 0302 86	65 (2,56)	59 (2,32)	565 22 1/4	24,0 (52,9)	22 x 108 (7/8 x 4 1/4)
RH 658LS	8311 0302 87	65 (2,56)	59 (2,32)	565 22 1/4	25,0 (55,1)	22 x 108 (7/8 x 4 1/4)

Model	Luchtverbruik (6 bar) l/s (foot ³ /min.)	Slagfrequentie (6 bar) Hz	Gatdiameter mm (in.)
RH 571-5L	39 (83)	35	28-34 (1,10-1,34)
RH 571-5LS	39 (83)	33	28-34 (1,10-1,34)
RH 572E	37 (78)	34	28-34 (1,10-1,34)
RH 658L	58 (123)	34	29-40 (1,14-1,57)
RH 658LS	58 (123)	34	29-40 (1,14-1,57)

Geluids- en trillingsverklaring

Gegarandeerd geluidsvermogensniveau **L_w** conform ISO 3744 in overeenstemming met richtlijn 2000/14/EG. Geluidsdruk niveau **L_p** volgens ISO 11203.

Trillingswaarde **A** en onzekerheid **B** bepaald volgens ISO 20643. Zie de tabel "Geluids- en trillingsgegevens" voor de waarden van A, B, enz.

Deze verklaarde waarden zijn verkregen d.m.v. een laboratoriumtest overeenkomstig de vermelde richtlijn of normen en ze zijn geschikt voor een vergelijking met de verklaarde waarden van andere gereedschappen die zijn getest overeenkomstig dezelfde richtlijn of normen. Deze verklaarde waarden zijn niet geschikt voor gebruik bij risicobeoordelingen en de waarden die worden opgemeten op individuele werkplekken kunnen hoger zijn. De werkelijke blootstellingswaarden en het risico van letsel zoals ervaren door een individuele gebruiker, zijn uniek en afhankelijk van de manier waarop de gebruiker werkt, in welk materiaal de machine wordt gebruikt, en ook van de blootstellingstijd, de fysieke conditie van de gebruiker en de conditie van de machine.

Wij, Atlas Copco Construction Tools AB, kunnen niet aansprakelijk worden gesteld voor de gevolgen van het gebruik van de verklaarde waarden in plaats van de waarden die de werkelijke blootstelling weerspiegelen, in een individuele risicobeoordeling in een werkplaatssituatie waarover we geen controle hebben.

Dit gereedschap kan een trillingssyndroom in handen en armen veroorzaken als het gebruik ervan niet adequaat wordt geregeld. Een handleiding van de EU voor het beheer van hand-arm-trillingen is beschikbaar op: <http://www.humanvibration.com/EU/VIBGUIDE.htm>

Wij bevelen de implementatie van een gezondheidscontroleprogramma aan om in een vroegtijdig stadium symptomen te kunnen ontdekken, die mogelijk gerelateerd zijn aan de blootstelling aan trillingen, zodat de beheersprocedures ter preventie van toekomstige stoornissen kunnen worden aangepast.

Geluids- en trillingsgegevens

Model	Geluid		Trilling	
	Verklaarde waarden		Verklaarde waarden	
	Geluidsdruk	Geluidsvermogen	Waarden drie assen	
	ISO 11203	2000/14/EG	ISO 20643	
	Lp r=1m dB(A) rel 20µPa	Lw gegarandeerd dB(A) rel 1pW	A m/s ² waarde	B m/s ² reikwijdten
RH 571-5L	106	119	23,2	2,8
RH 571-5LS	99	112	23,2	2,8
RH 572E	100	113	9,7	1,9
RH 658L	106	116	21,2	2,6
RH 658LS	99	112	21,2	2,6

Accessoires

Omschrijving	Opmerking	Hoeveelheid	Onderdeel nummer
CLG 30, Europees type	Voor zowel minerale als synthetische olie	1	8202 5102 39
BLG 30, Europees type	Voor minerale olie	1	8202 5102 05
VAM 01, Europees type	Luchtstroming <50 l/s (106 ft ³ /min.)	1	8092 0110 58
VAM 5A, Europees type	Luchtstroming <120 l/s (254 ft ³ /min.)	1	8092 0110 82
Rubberslang, voorgemonteerd	20 mm (¾")	1	9030 2047 00
X-LITE platte slang, universeel	20 mm (¾")	1	9030 2115 00
Rock Drill AIR-OIL	4 l	1	8099 0201 04
Rock Drill AIR-OIL	10 l	1	8099 0201 10

EG Conformiteitsverklaring

EG Conformiteitsverklaring (EG-richtlijn 2006/42/EG)

Wij, Atlas Copco Construction Tools AB, verklaren hierbij onder geheel eigen verantwoordelijkheid dat de hieronder vermelde machines in overeenstemming zijn met de eisen van de richtlijnen 2006/42/EG (Machinerichtlijn) en met de hieronder vermelde geharmoniseerde normen.

Steenboren	Artikelnummer	Pmax (bar)
RH 571-5L	8311 0301 29	7
RH 571-5LS	8311 0301 37	7
RH 572E	8311 0301 78	7
RH 658L	8311 0302 86	7
RH 658LS	8311 0302 87	7

Gemachtigde vertegenwoordiger technische documentatie:

Erik Sigfridsson
Atlas Copco Constructions Tools AB
Dragonvägen 2
Kalmar

Algemeen directeur:

Erik Sigfridsson

Producent:

Atlas Copco Constructions Tools AB
105 23 Stockholm
Sweden

Plaats en datum:

Kalmar, 2010-01-01

ΕΛΛΗΝΙΚΑ

Περιεχόμενα

Εισαγωγή.....	173
Σχετικά με τις Οδηγίες Ασφάλειας και Χειρισμού.....	173
Οδηγίες ασφαλείας.....	174
Λέξεις σημάτων ασφαλείας.....	174
Προσωπικές προφυλάξεις και πιστοποιήσεις.....	174
Ατομικός προστατευτικός εξοπλισμός.....	174
Ναρκωτικά, αλκοόλ, φάρμακα.....	174
Εγκατάσταση, προφυλάξεις.....	174
Λειτουργία, προφυλάξεις.....	175
Συντήρηση, προφυλάξεις.....	180
Αποθήκευση, προφυλάξεις.....	180
Επισκόπηση.....	181
Σχεδιασμός και λειτουργία.....	181
Αρχή λειτουργίας ενός διατρητικού πετρωμάτων.....	181
Μηχανισμός βαλβίδας ελέγχου.....	181
Μηχανισμός περιστροφής.....	181
Απέμφραξη.....	181
Κύρια μέρη.....	181
Ετικέτες.....	182
Πινακίδα δεδομένων.....	182
Ετικέτα ασφαλείας.....	182
Εγκατάσταση.....	183
Αφαίρεση της συσκευασίας του διατρητικού πετρωμάτων.....	183
Πλαστικοί προφυλακτήρες.....	183
Συναρμολόγηση.....	183
Λίπανση.....	183
Εύκαμπτοι σωλήνες και συνδέσεις.....	183
Μέθοδοι αποφυγής παγώματος.....	183
Σύνδεση διαχωριστή νερού.....	184
Λίπανση.....	184
Ρύθμιση πίεσης.....	184
Πίεση αέρα.....	184
Βαθμονόμηση της σωστής πίεσης αέρα.....	184
Διατρητικό στέλεχος.....	184
Πριν από την τοποθέτηση του διατρητικού στελέχους.....	184
Τοποθέτηση του διατρητικού στελέχους.....	185
Αφαίρεση του διατρητικού στελέχους.....	185
Λειτουργία.....	186
Προετοιμασίες πριν ξεκινήσετε.....	186
Ελέγξτε τον εξοπλισμό διάτρησης.....	186
Φυσήξτε αέρα στον εύκαμπτο σωλήνα.....	187
Πληρώστε το λιπαντήρα με λάδι.....	187
Χειριστήρια.....	187
Μοχλός γκαζιού.....	187
Εκκίνηση και διακοπή.....	187
Εκκίνηση του διατρητικού πετρωμάτων.....	187
Διακοπή λειτουργίας του διατρητικού πετρωμάτων.....	188
Χειρισμός.....	188
Διάτρηση.....	188
Όταν κάνετε διάλειμμα.....	188

Συντήρηση.....	188
Διαφορές μεταξύ γνήσιων εξαρτημάτων και απομιμήσεων.....	188
Κάθε ημέρα.....	189
Έλεγχος για φθορά.....	189
Περιοδική συντήρηση.....	189
Ροπή σύσφιξης.....	190
Ενδείξεις ζημίας.....	190
Αποθήκευση.....	190
Απόρριψη.....	190
Τεχνικά δεδομένα.....	191
Δεδομένα μηχανήματος.....	191
Δήλωση εκπομπών θορύβου και κραδασμών.....	191
Δεδομένα θορύβου και κραδασμών.....	192
Παρελκόμενα.....	192
Δήλωση Συμμόρφωσης της ΕΚ.....	193
Δήλωση Συμμόρφωσης της ΕΚ (Οδηγία ΕΚ 2006/42/ΕΚ).....	193

Εισαγωγή

Σας ευχαριστούμε που επιλέξατε ένα προϊόν της Atlas Copco. Από το 1873, έτος ίδρυσης της εταιρείας μας, ανακαλύπτουμε διαρκώς νέους και καλύτερους τρόπους ικανοποίησης των επαγγελματικών αναγκών των πελατών μας. Μέσα στα χρόνια, αναπτύξαμε καινοτόμα και εργονομικά προϊόντα που βοήθησαν τους πελάτες μας να βελτιώσουν και να οργανώσουν ορθολογικά την καθημερινή τους εργασία.

Η Atlas Copco διαθέτει ένα ισχυρό παγκόσμιο δίκτυο πωλήσεων και σέρβις, αποτελούμενο από κέντρα εξυπηρέτησης πελατών και από διανομείς σε όλο τον κόσμο. Οι ειδικοί μας είναι άριστα εκπαιδευμένοι επαγγελματίες με βαθιά γνώση των προϊόντων μας και με πολύχρονη εμπειρία στην εφαρμογή των λύσεων που αναπτύσσει η εταιρεία μας. Σε κάθε γωνιά του πλανήτη, είμαστε σε θέση να προσφέρουμε εξειδικευμένη και αξιόπιστη υποστήριξη για τα προϊόντα μας, ώστε οι πελάτες μας να μπορούν να εργάζονται με τη μέγιστη αποδοτικότητα σε κάθε περίπτωση.

Για περισσότερες πληροφορίες, επισκεφθείτε την τοποθεσία Web:
www.atlascopco.com

Atlas Copco Construction Tools AB
105 23 Stockholm
Sweden

Σχετικά με τις Οδηγίες Ασφάλειας και Χειρισμού

Σκοπός των οδηγιών είναι να σας προσφέρουν τις γνώσεις που απαιτούνται για το χειρισμό του διατρητικού πετρωμάτων με αποτελεσματικό και ασφαλή τρόπο. Οι οδηγίες παρέχουν επίσης συμβουλές και περιγράφουν τη διαδικασία εκτέλεσης τακτικής συντήρησης στο διατρητικό πετρωμάτων.

Πριν χρησιμοποιήσετε το διατρητικό πετρωμάτων για πρώτη φορά πρέπει να διαβάσετε αυτές τις οδηγίες με προσοχή και να τις κατανοήσετε πλήρως.

Οδηγίες ασφαλείας

Προς ελαχιστοποίηση του κινδύνου σοβαρού τραυματισμού ή θανάτου στον εαυτό σας ή άλλους, φροντίστε να διαβάσετε και να κατανοήσετε τις Οδηγίες ασφαλείας και χειρισμού πριν από την εγκατάσταση, λειτουργία, επισκευή, συντήρηση ή αλλαγή παρελκόμενων στο μηχάνημα.

Αναρτήστε αυτό το έντυπο Οδηγιών ασφαλείας και χειρισμού στους χώρους εργασίας, διανείμετε αντίγραφα του στους εργαζόμενους και φροντίστε ώστε να διαβάσουν όλοι αυτές τις Οδηγίες ασφαλείας και χειρισμού πριν από τη χρήση ή τη διενέργεια σέρβις στο μηχάνημα.

Επιπλέον, ο χειριστής ή ο εργοδότης του χειριστή θα πρέπει να προβαίνει σε αξιολόγηση των ειδικών κινδύνων που ενδέχεται να ενέχονται ως αποτέλεσμα της κάθε χρήσης του μηχανήματος.

Λέξεις σημάτων ασφαλείας

Οι λέξεις σημάτων ασφαλείας «Danger» (Κίνδυνος), «Warning» (Προειδοποίηση) και «Caution» (Προσοχή) έχουν την ακόλουθη σημασία:

ΚΙΝΔΥΝΟΣ	Υποδεικνύει μια επικίνδυνη κατάσταση που εάν δεν αποφευχθεί, θα προκαλέσει σοβαρού βαθμού ή θανατηφόρο τραυματισμό.
ΠΡΟΕΙΔΟΠΟΙΗΣΗ	Υποδεικνύει μια επικίνδυνη κατάσταση που εάν δεν αποφευχθεί, μπορεί να προκαλέσει σοβαρού βαθμού ή θανατηφόρο τραυματισμό.
ΠΡΟΣΟΧΗ	Υποδεικνύει μια επικίνδυνη κατάσταση που εάν δεν αποφευχθεί, μπορεί να προκαλέσει ελαφρού ή μετρίου βαθμού τραυματισμό.

Προσωπικές προφυλάξεις και πιστοποιήσεις

Ο χειρισμός και η συντήρηση του μηχανήματος πρέπει να διενεργείται μόνον από εξουσιοδοτημένο και εκπαιδευμένο προσωπικό. Πρέπει να διαθέτουν κατάλληλη σωματική ικανότητα προς χειρισμό του όγκου, του βάρους και της ισχύος του εργαλείου. Να χρησιμοποιείτε πάντα κοινή λογική και καλή κρίση.

Ατομικός προστατευτικός εξοπλισμός

Να χρησιμοποιείτε πάντοτε εγκεκριμένο προστατευτικό εξοπλισμό. Οι χειριστές και όλα τα άλλα άτομα που βρίσκονται στο χώρο εργασίας πρέπει να φορούν προστατευτικό εξοπλισμό που να περιλαμβάνει τουλάχιστον τα εξής:

- Προστατευτικό κράνος
- Ωτοασπίδες
- Προστατευτικά γυαλιά ανθεκτικά στην κρούση με πλευρική προστασία
- Συσκευή προστασίας της αναπνοής, όταν χρειάζεται
- Προστατευτικά γάντια
- Κατάλληλες προστατευτικές μπότες
- Κατάλληλη φόρμα εργασίας ή παρόμοιο ένδυμα (με σφικτή εφαρμογή στο σώμα) που να καλύπτει τα χέρια και τα πόδια.

Ναρκωτικά, αλκοόλ, φάρμακα

▲ ΠΡΟΕΙΔΟΠΟΙΗΣΗ Ναρκωτικά, αλκοόλ, φάρμακα

Τα ναρκωτικά, το αλκοόλ και τα φάρμακα μπορεί να επηρεάσουν αντίξοα την κρίση σας και την ικανότητα συγκέντρωσης. Κακές αντιδράσεις και λανθασμένες εκτιμήσεις μπορούν να οδηγήσουν σε σοβαρά ατυχήματα ή θάνατο.

- ▶ Μη χρησιμοποιείτε ποτέ το μηχάνημα εάν είστε κουρασμένοι ή υπό την επήρεια ναρκωτικών, αλκοόλ ή φαρμάκων.
- ▶ Δεν επιτρέπεται ο χειρισμός του μηχανήματος από άτομα που βρίσκονται υπό την επήρεια ναρκωτικών, αλκοόλ ή φαρμάκων.

Εγκατάσταση, προφυλάξεις

▲ ΚΙΝΔΥΝΟΣ Ανεξέλεγκτες κινήσεις του εύκαμπτου σωλήνα

Εάν ένας εύκαμπτος σωλήνας πεπιεσμένου αέρα αποσυνδεθεί ενώ βρίσκεται υπό πίεση, είναι δυνατόν να κινηθεί με μεγάλη ταχύτητα και δύναμη και να προκαλέσει σοβαρό τραυματισμό ή θάνατο. Για να ελαχιστοποιήσετε αυτόν τον κίνδυνο:

- ▶ Βεβαιωθείτε ότι ο εύκαμπτος σωλήνας πεπιεσμένου αέρα και οι συνδέσεις δεν έχουν υποστεί ζημία, φροντίστε για την αντικατάστασή τους εάν απαιτείται.
- ▶ Βεβαιωθείτε ότι όλες οι συνδέσεις πεπιεσμένου αέρα είναι κατάλληλα προσαρμοσμένες.
- ▶ Μην μεταφέρετε ποτέ ένα πνευματικό μηχάνημα συγκρατώντας το από τον εύκαμπτο σωλήνα αέρα.

- ▶ Μην επιχειρήσετε ποτέ να αποσυνδέσετε έναν εύκαμπτο σωλήνα πεπιεσμένου αέρα όταν βρίσκεται υπό πίεση. Πρώτα διακόψτε την παροχή πεπιεσμένου αέρα στο συμπιεστή και στη συνέχεια εξαερώστε το μηχάνημα ενεργοποιώντας τη διάταξη εκκίνησης/διακοπής της λειτουργίας.
- ▶ Μην στρέφετε ποτέ έναν εύκαμπτο σωλήνα πεπιεσμένου αέρα προς το σώμα σας ή προς την κατεύθυνση άλλου ατόμου. Για να αποφύγετε τον κίνδυνο τραυματισμού, μην χρησιμοποιείτε ποτέ πεπιεσμένο αέρα για να απομακρύνετε ακαθαρσίες, σκόνη κ.λ.π. από τα ρούχα σας.
- ▶ Μην χρησιμοποιείτε ζεύξεις ταχείας αποσύνδεσης στην εισαγωγή του εργαλείου. Να χρησιμοποιείτε εξαρτήματα με σπείρωμα στερέωσης εύκαμπτου σωλήνα από σκληρυμένο χάλυβα (ή υλικό με συγκρίσιμη αντοχή στις κρούσεις).
- ▶ Όταν χρησιμοποιείτε ζεύξεις συστροφής (ζεύξεις με σιαγόνες), συνιστάται η τοποθέτηση πείρων ασφάλισης και η χρήση καλωδίων ασφαλείας για τον έλεγχο ανεξέλεγκτων κινήσεων ώστε να παρέχεται προστασία σε περίπτωση αστοχίας των συνδέσεων μεταξύ εύκαμπτου σωλήνα και εργαλείου όπως και μεταξύ τμημάτων εύκαμπτου σωλήνα.

▲ ΠΡΟΕΙΔΟΠΟΙΗΣΗ Εκτίναξη εργαλείου εισαγωγής

Εάν ο συγκρατητήρας του εργαλείου στο μηχάνημα δεν είναι στη θέση ασφάλισης, το εργαλείο είναι δυνατόν να εκτιναχτεί με δύναμη και να προκαλέσει τραυματισμό.

- ▶ Μην θέτετε ποτέ το μηχάνημα σε λειτουργία, ενώ πραγματοποιείτε αλλαγή του εργαλείου εισαγωγής.
- ▶ Πριν από την αλλαγή του εργαλείου εισαγωγής ή των παρελκόμενων, διακόψτε τη λειτουργία του μηχανήματος, διακόψτε την παροχή ισχύος και εξαερώστε το μηχάνημα ενεργοποιώντας τη διάταξη εκκίνησης/διακοπής της λειτουργίας.
- ▶ Μην στρέφετε ποτέ το εργαλείο εισαγωγής προς το σώμα σας ή προς την κατεύθυνση άλλου ατόμου.
- ▶ Να ελέγχετε εάν το εργαλείο έχει εισαχθεί πλήρως και ο συγκρατητήρας του εργαλείου είναι στη θέση ασφάλισης πριν θέσετε το μηχάνημα σε λειτουργία.
- ▶ Να ελέγχετε τη λειτουργία ασφάλισης τραβώντας το τοποθετημένο εργαλείο απότομα προς τα έξω.

▲ ΠΡΟΕΙΔΟΠΟΙΗΣΗ Μετακινούμενο ή ολισθαίνον εργαλείο εισαγωγής

Εάν οι διαστάσεις του στελέχους του εργαλείου εισαγωγής δεν είναι κατάλληλες, μπορεί το εργαλείο εισαγωγής να χαθεί ή να γλιστρήσει και να βγει κατά τη λειτουργία. Υπάρχει κίνδυνος σοβαρού τραυματισμού ή σύνθλιψης των χεριών και των δακτύλων.

- ▶ Να βεβαιώνετε ότι το εργαλείο εισαγωγής έχει μήκος στελέχους και διαστάσεις που αντιστοιχούν στο μηχάνημα.
- ▶ Μην χρησιμοποιείτε ποτέ ένα εργαλείο εισαγωγής χωρίς κολάρο.

Λειτουργία, προφυλάξεις

▲ ΚΙΝΔΥΝΟΣ Κίνδυνος έκρηξης

Εάν ένα θερμό εργαλείο εισαγωγής έλθει σε επαφή με εκρηκτικά, ενδέχεται να προκληθεί έκρηξη. Όταν εργάζεστε με συγκεκριμένα υλικά και χρησιμοποιείτε εξαρτήματα μηχανήματος κατασκευασμένα από ορισμένα υλικά, ενδέχεται να προκληθούν σπινθήρες και ανάφλεξη. Οι εκρήξεις μπορούν να προκαλέσουν σοβαρό τραυματισμό ή θάνατο.

- ▶ Μην χειρίζεστε ποτέ το μηχάνημα σε εκρήξιμο περιβάλλον.
- ▶ Μην χρησιμοποιείτε ποτέ το μηχάνημα κοντά σε εύφλεκτα υλικά, αναθυμιάσεις ή σκόνη.
- ▶ Να βεβαιώνετε ότι δεν υπάρχουν αέρια ή εκρηκτικά άγνωστης προέλευσης.
- ▶ Μην διενεργείτε ποτέ διάτρηση σε παλαιά οπή.

▲ ΠΡΟΕΙΔΟΠΟΙΗΣΗ Μη αναμενόμενες κινήσεις

Το εργαλείο που έχει εισαχθεί, υποβάλλεται σε βαριά καταπόνηση κατά τη χρήση του μηχανήματος. Το εργαλείο μπορεί να σπάσει λόγω κόπωσης μετά από κάποιο διάστημα χρήσης. Εάν το εργαλείο σπάσει ή κολλήσει, μπορεί να προκληθούν ξαφνικές και μη αναμενόμενες κινήσεις του μηχανήματος με πιθανή συνέπεια τον τραυματισμό του χειριστή. Επιπλέον, ενδέχεται να τραυματιστείτε εάν χάσετε την ισορροπία σας ή γλιστρήσετε.

- ▶ Να βεβαιώνετε ότι η θέση σας είναι πάντοτε σταθερή, έχοντας τα πόδια σας σε απόσταση ίση με το πλάτος των ώμων σας και διατηρώντας το βάρος του σώματός σας σε ισορροπία.
- ▶ Να επιθεωρείτε πάντοτε τον εξοπλισμό πριν από τη χρήση. Μην χρησιμοποιείτε ποτέ τον εξοπλισμό, εάν υποψιάζεστε ότι έχει υποστεί ζημιά.
- ▶ Να βεβαιώνετε ότι οι λαβές είναι καθαρές, χωρίς γράσο ή λάδι.
- ▶ Να κρατάτε τα πόδια σας μακριά από το εργαλείο εισαγωγής.

- ▶ Να στέκεστε σταθερά και να στηρίζετε πάντοτε στο μηχάνημα και με τα δύο χέρια.
- ▶ Ποτέ μην τρυπήσετε σε παλαιά οπή.
- ▶ Μη θέτετε ποτέ σε λειτουργία το μηχάνημα όταν βρίσκεται στο έδαφος.
- ▶ Μην «καβαλικεύετε» ποτέ το μηχάνημα με το ένα πόδι πάνω από τη λαβή.
- ▶ Μην κτυπάτε ποτέ και μην κακομεταχειρίζεστε τον εξοπλισμό.
- ▶ Να ελέγχετε τακτικά το εργαλείο εισαγωγής για φθορά, καθώς και για ενδείξεις ζημιάς ή ορατές ρωγμές.
- ▶ Να δίνετε μεγάλη προσοχή και να παρακολουθείτε αυτό που κάνετε.

▲ ΠΡΟΕΙΔΟΠΟΙΗΣΗ Κίνδυνος μπλοκαρίσματος

Εάν το εργαλείο εισαγωγής μαγκώσει κατά τη λειτουργία, ολόκληρο το μηχάνημα θα αρχίσει να περιστρέφεται εάν δεν το συγκρατήσετε. Η αιφνιδιαστική περιστροφή ολόκληρου του μηχανήματος μπορεί να προκαλέσει σοβαρό ή και θανάσιμο τραυματισμό.

- ▶ Να στέκεστε σταθερά και να στηρίζετε πάντοτε στο μηχάνημα και με τα δύο χέρια.
- ▶ Να βεβαιώνετε ότι η λαβή/οι λαβές είναι καθαρές, χωρίς γράσο ή λάδι.
- ▶ Ποτέ μην τρυπήσετε σε παλαιά οπή.

▲ ΠΡΟΕΙΔΟΠΟΙΗΣΗ Κίνδυνος παγίδευσης

Υπάρχει κίνδυνος παγίδευσης και τραβήγματος αντικειμένων που κρέμονται στο λαιμό, μαλιών, γαντιών και ρουχισμού από ένα περιστρεφόμενο εργαλείο εισαγωγής ή αξεσουάρ. Αυτό ενδέχεται να προκαλέσει πνιγμό, γδάρισμα του δέρματος του κρανίου, αμυχές ή θάνατο. Για να ελαχιστοποιήσετε τον κίνδυνο:

- ▶ Μην πιάνετε και μην αγγίζετε ποτέ ένα περιστρεφόμενο διατηρητικό στέλεχος.
- ▶ Να αποφεύγετε να φοράτε ρουχισμό, αντικείμενα που κρέμονται στο λαιμό ή γάντια, τα οποία ενδέχεται να πιαστούν.
- ▶ Να φροντίζετε ώστε τα μακριά μαλλιά να είναι καλυμμένα με δίχτυ μαλιών.

▲ ΠΡΟΕΙΔΟΠΟΙΗΣΗ Κίνδυνος λόγω σκόνης και αναθυμιάσεων

Τα είδη σκόνης ή/και αναθυμιάσεων τα οποία εκλύονται ή διαχέονται κατά τη χρήση του μηχανήματος ενδέχεται να προκαλέσουν σοβαρές και μόνιμες βλάβες και παθήσεις του αναπνευστικού ή άλλες σωματικές βλάβες (π.χ. πυριτίωση ή άλλη μη αναστρέψιμη πάθηση των πνευμόνων η οποία είναι δυνατόν να είναι θανατηφόρα, καρκίνο, συγγενείς ανωμαλίες ή/και ερεθισμό του δέρματος).

Ορισμένα είδη σκόνης ή αναθυμιάσεων τα οποία εκλύονται κατά τη διάτρηση, θραύση, σφυρηλάτηση, πριόνισμα και άλλες κατασκευαστικές δραστηριότητες περιέχουν χημικές ουσίες οι οποίες είναι γνωστό, στην πολιτεία της Καλιφόρνια και άλλες αρχές, ότι προκαλούν αναπνευστικές παθήσεις, καρκίνο, συγγενείς ανωμαλίες ή άλλες βλάβες του αναπαραγωγικού συστήματος. Ορισμένα παραδείγματα τέτοιων χημικών ουσιών είναι τα εξής:

- Κρυσταλλικό πυρίτιο, τσιμέντο και άλλα οικοδομικά υλικά.
- Αρσενικό και χρώμιο από χημικά επεξεργασμένο ελαστικό.
- Μόλυβδος από χρώματα που έχουν ως βάση το μόλυβδο.

Η σκόνη και οι αναθυμιάσεις στην ατμόσφαιρα είναι δυνατόν να μην διακρίνονται με γυμνό οφθαλμό, επομένως μην βασίζεστε στην όραση για τον προσδιορισμό εάν υπάρχει σκόνη ή αναθυμιάσεις στην ατμόσφαιρα.

Προς ελαχιστοποίηση του κινδύνου έκθεσης σε σκόνη και αναθυμιάσεις, φροντίστε για όλα τα εξής:

- ▶ Διενέργεια αξιολόγησης των κινδύνων για τη συγκεκριμένη περιοχή. Η αξιολόγηση των κινδύνων θα πρέπει να περιλαμβάνει τη σκόνη και τις αναθυμιάσεις που εκλύονται λόγω χρήσης του μηχανήματος όπως και το ενδεχόμενο διαταραχής της υπέρχουσας σκόνης.
- ▶ Χρήση κατάλληλου μηχανολογικού εξοπλισμού, προς ελαχιστοποίηση της ποσότητας σκόνης και αναθυμιάσεων η οποία εκλύεται στην ατμόσφαιρα όπως και ελαχιστοποίηση της συσσώρευσης πάνω σε εξοπλισμό, επιφάνειες, ρουχισμό και διάφορα μέρη του σώματος. Στα παραδείγματα εξοπλισμού αυτού του είδους περιλαμβάνονται τα εξής: Συστήματα απαγωγής, αερισμού και συλλογής σκόνης, ψεκαστήρες νερού και διάτρηση με χρήση υγρού. Να ελέγχετε την έκλυση σκόνης και αναθυμιάσεων στην πηγή, κατά το δυνατόν. Να φροντίζετε ώστε ο εξοπλισμός να εγκαθίσταται κατάλληλα και να συντηρείται σωστά.

- ▶ Να φοράτε, να συντηρείτε και να χρησιμοποιείτε κατάλληλα αναπνευστική προστασία, όπως συνιστάται από τον εργοδότη σας και απαιτείται από τους κανονισμούς περί υγείας και ασφάλειας στους επαγγελματικούς χώρους. Η αναπνευστική προστασία απαιτείται να είναι αποτελεσματική ανάλογα με τον τύπο της χημικής ουσίας που σας αφορά (και να είναι εγκεκριμένη από την αρμόδια κρατική αρχή, εάν απαιτείται).
- ▶ Να εργάζεστε σε καλώς αεριζόμενο χώρο.
- ▶ Εάν το μηχάνημα διαθέτει εξαγωγή, κατευθύνετε την εξαγωγή κατάλληλα, ώστε να αποτρέπεται η διαταραχή της σκόνης σε περιβάλλον το οποίο περιέχει σκόνη.
- ▶ Να χειρίζεστε και να συντηρείτε το μηχάνημα, όπως συνιστάται στις οδηγίες ασφάλειας και χειρισμού.
- ▶ Να επιλέγετε, να συντηρείτε και να αντικαθιστάτε τα αναλώσιμα/ εργαλεία εισαγωγής/ άλλα παρελκόμενα, όπως συνιστάται στις οδηγίες ασφάλειας και χειρισμού. Η εσφαλμένη επιλογή ή έλλειψη συντήρησης των αναλώσιμων/ εργαλείων εισαγωγής/ άλλων παρελκόμενων ενδέχεται να προκαλέσει άσκοπη αύξηση της σκόνης ή των αναθυμιάσεων.
- ▶ Στο χώρο εργασίας, να φοράτε προστατευτικά ρούχα που πλένονται ή είναι μιας χρήσης. Να κάνετε ντους και να φοράτε καθαρά ρούχα πριν φύγετε από το χώρο εργασίας για να ελαχιστοποιείτε τη δική σας έκθεση στη σκόνη και στις αναθυμιάσεις ή την έκθεση άλλων ατόμων, αυτοκινήτων, σπιτιών και άλλων χώρων.
- ▶ Να αποφεύγετε τη λήψη τροφής, ποτών και τη χρήση προϊόντων καπνιστού σε χώρους όπου υπάρχει σκόνη ή αναθυμιάσεις.
- ▶ Να πλένετε τα χέρια και το πρόσωπό σας σχολαστικά αμέσως μόλις φύγετε από το χώρο έκθεσης, εάν αυτό είναι δυνατόν, και πάντα πριν από τη λήψη τροφής ή ποτών, τη χρήση προϊόντων καπνιστού ή πριν από την επαφή με άλλα άτομα.
- ▶ Να συμμορφώνεστε με τους ισχύοντες νόμους και κανονισμούς, όπως και τους κανονισμούς περί υγείας και ασφάλειας στους επαγγελματικούς χώρους.
- ▶ Να συμμετέχετε στην παρακολούθηση της ατμοσφαιρας, στα προγράμματα ιατρικών εξετάσεων, όπως και στα προγράμματα εκπαίδευσης σε θέματα υγείας και ασφάλειας που παρέχονται από τον εργοδότη σας ή οργανισμούς του κλάδου και σύμφωνα με τους κανονισμούς και τις συστάσεις περί υγείας και ασφάλειας στους επαγγελματικούς χώρους. Ζητήστε τη συμβουλή ιατρών με εμπειρία στο σχετικό πεδίο επαγγελματικής ιατρικής.

- ▶ Συνεργαστείτε με τον εργοδότη και τον επαγγελματικό σας οργανισμό προς μείωση της έκθεσης στη σκόνη και στις αναθυμιάσεις του χώρου εργασίας και προς μείωση των κινδύνων. Απαιτείται η θέσπιση και η εφαρμογή αποτελεσματικών προγραμμάτων, πολιτικών και διαδικασιών υγείας και ασφάλειας με σκοπό την προστασία των εργαζομένων και των τρίτων από την επικίνδυνη έκθεση σε σκόνη και αναθυμιάσεις, βάσει των οδηγιών των ειδικών σε θέματα υγείας και ασφάλειας. Ζητήστε τη συμβουλή ειδικών.

▲ ΠΡΟΕΙΔΟΠΟΙΗΣΗ Εκτίναξη αντικειμένων

Τυχόν αστοχία του τεμαχίου εργασίας, των παρελκόμενων ή ακόμη και του ίδιου του εργαλείου ενδέχεται να προκαλέσει εκτίναξη αντικειμένων με μεγάλη ταχύτητα. Κατά τη διάτρηση, θραύσματα ή άλλα σωματίδια από το υλικό με το οποίο εργάζεστε ενδέχεται να εκτιναχτούν και να προκαλέσουν τραυματισμό χτυπώντας το χειριστή ή άλλα άτομα. Για να ελαχιστοποιήσετε αυτούς τους κινδύνους:

- ▶ Να χρησιμοποιείτε εγκεκριμένο εξοπλισμό ατομικής προστασίας και κράνος ασφαλείας, όπως και ανθεκτικά σε κρούσεις γυαλιά ασφαλείας με πλευρική προστασία.
- ▶ Να φροντίζετε ώστε κανείς άλλος, εκτός από το εξουσιοδοτημένο προσωπικό, να μην εισέρχεται στην περιοχή εργασίας.
- ▶ Να διατηρείτε το χώρο εργασίας ελεύθερο από αντικείμενα που δεν σχετίζονται με την εργασία σας.
- ▶ Να φροντίζετε ώστε το τεμάχιο εργασίας να είναι σταθερά στερεωμένο.

▲ ΠΡΟΕΙΔΟΠΟΙΗΣΗ Κίνδυνος λόγω θραυσμάτων

Σε περίπτωση χρήσης του εργαλείου εισαγωγής ως εργαλείου χειρός είναι δυνατόν ο χειριστής να πληγεί από θραύσματα και να τραυματιστεί.

- ▶ Μην χρησιμοποιείτε ποτέ ένα εργαλείο εισαγωγής ως εργαλείο χειρός. Έχουν σχεδιαστεί ειδικά και έχουν υποστεί θερμική κατεργασία, ώστε να χρησιμοποιούνται σε μηχανήμα μόνο.

▲ ΠΡΟΕΙΔΟΠΟΙΗΣΗ Κίνδυνοι λόγω ολίσθησης, παραπατήματος και πτώσης

Υπάρχει κίνδυνος ολίσθησης ή παραπατήματος και πτώσης, π.χ. παραπατήματος πάνω στους εύκαμπτους σωλήνες ή άλλα αντικείμενα. Η ολίσθηση, το παραπάτημα και η πτώση είναι δυνατόν να προκαλέσουν τραυματισμό. Για να ελαχιστοποιήσετε αυτόν τον κίνδυνο:

- ▶ Να φροντίζετε πάντα ώστε να μην υπάρχει κανένας εύκαμπτος σωλήνας ή άλλο αντικείμενο στο δρόμο σας ή στο δρόμο οποιουδήποτε άλλου ατόμου.
- ▶ Να φροντίζετε πάντα ώστε η θέση σας να είναι πάντα σταθερή, έχοντας τα πόδια σας σε απόσταση ίση με το πλάτος των ώμων σας και διατηρώντας το βάρος του σώματός σας σε ισορροπία.

▲ ΠΡΟΕΙΔΟΠΟΙΗΣΗ Κίνδυνοι λόγω κίνησης

Κατά τη χρήση του μηχανήματος για την εκτέλεση διαφόρων δραστηριοτήτων που σχετίζονται με την εργασία, ενδέχεται να αισθανθείτε δυσφορία σε χέρια, βραχίονες, ώμους, λαιμό ή άλλα σημεία του σώματος.

- ▶ Φροντίστε να υιοθετήσετε μια άνετη στάση ενώ συνεχίζετε να στηρίζετε στα πόδια σας σταθερά και να αποφεύγετε ενοχλητικές στάσεις στις οποίες δεν είναι δυνατόν να διατηρήσετε την ισορροπία σας.
- ▶ Στη διάρκεια παρατεταμένων εργασιών, η αλλαγή στάσης ενδέχεται να διευκολύνει την αντιμετώπιση της δυσφορίας και της κόπωσης.
- ▶ Σε περίπτωση επίμονων ή επανειλημμένων συμπτωμάτων, συμβουλευτείτε ειδικευμένο ιατρό.

▲ ΠΡΟΕΙΔΟΠΟΙΗΣΗ Κίνδυνοι λόγω κραδασμών

Η κανονική και κατάλληλη χρήση του μηχανήματος εκθέτει το χειριστή σε κραδασμούς. Η τακτική και συχνή έκθεση σε κραδασμούς ενδέχεται να προκαλέσει, να συμβάλει ή να επιδεινώσει τραυματισμούς ή παθήσεις στα δάκτυλα, στα χέρια, στους καρπούς, στους βραχίονες, στους ώμους ή/και στα νεύρα και στην αιμάτωση ή σε άλλα μέρη του σώματος του χειριστή και επίσης να προκαλέσει εξασθένηση ή/και μόνιμες βλάβες ή παθήσεις οι οποίες ενδέχεται να εξελιχθούν σταδιακά σε διάστημα εβδομάδων, μηνών ή ετών. Οι τραυματισμοί ή οι παθήσεις αυτού του είδους ενδέχεται να περιλαμβάνουν βλάβη στο σύστημα κυκλοφορίας του αίματος, βλάβη στο νευρικό σύστημα, βλάβη στις αρθρώσεις και ενδεχομένως βλάβη σε άλλες δομές του σώματος.

Εάν αισθανθείτε μούδιασμα, επίμονη και επαναλαμβανόμενη δυσφορία, αίσθηση καψίματος, δυσκαμψία, έντονες σφύξεις, μυρμήγκιασμα, πόνο, αδεξίτητα, αδυναμία συγκράτησης στα χέρια, παρατηρήσετε λεύκανση του δέρματος ή άλλα συμπτώματα οποιαδήποτε στιγμή, κατά το χειρισμό ή μη του μηχανήματος, διακόψτε τη χρήση του μηχανήματος, ενημερώστε τον εργοδότη σας και αναζητήστε ιατρική συμβουλή. Εάν συνεχίσετε να χρησιμοποιείτε το μηχάνημα μετά από την εμφάνιση οποιουδήποτε από τα συγκεκριμένα συμπτώματα, ενδέχεται να αυξηθεί ο κίνδυνος τα συμπτώματα να καταστούν πιο σοβαρά ή/και μόνιμα.

Να χειρίζεστε και να συντηρείτε το μηχάνημα όπως συνιστάται στις παρούσες οδηγίες, ώστε να αποτραπεί η άσκοπη αύξηση των κραδασμών.

Οι οδηγίες που ακολουθούν ενδέχεται να διευκολύνουν στη μείωση της έκθεσης του χειριστή σε κραδασμούς:

- ▶ Να αφήνετε το εργαλείο να κάνει τη δουλειά. Η λαβή σας πρέπει να είναι η ελάχιστη που απαιτείται για τον κατάλληλο έλεγχο και την ασφαλή λειτουργία του μηχανήματος.
- ▶ Εάν το μηχάνημα διαθέτει λαβές απορρόφησης κραδασμών, κρατήστε τις σε κεντρική θέση, αποφεύγοντας να πιέζετε τις λαβές στα άκρα.
- ▶ Όταν ο κρουστικός μηχανισμός είναι ενεργοποιημένος, το μοναδικό σημείο που θα πρέπει το σώμα σας να έρχεται σε επαφή με το μηχάνημα είναι τα χέρια σας πάνω στη λαβή ή στις λαβές. Να αποφεύγετε οποιαδήποτε άλλη επαφή, π.χ. να στηρίζετε οποιοδήποτε τμήμα του σώματός σας πάνω στο μηχάνημα ή να σκύβετε πάνω από το μηχάνημα προσπαθώντας να αυξήσετε την ασκούμενη δύναμη. Είναι επίσης σημαντικό να μην συνεχίζετε να πιέζετε τη διάταξη εκκίνησης/διακοπής της λειτουργίας κατά την αφαίρεση του εργαλείου από τη σπασμένη επιφάνεια εργασίας.

- ▶ Να φροντίζετε ώστε το εργαλείο που έχει εισαχθεί να είναι καλά συντηρημένο (και αρκετά αιχμηρό, εάν πρόκειται για κοπτικό εργαλείο), να μην είναι φθαρμένο και να έχει το κατάλληλο μέγεθος. Τα εργαλεία εισαγωγής τα οποία δεν είναι καλά συντηρημένα, είναι φθαρμένα ή δεν έχουν το κατάλληλο μέγεθος χρειάζονται περισσότερο χρόνο για να ολοκληρώσουν την εργασία (και επομένως αυξάνουν τη διάρκεια έκθεσης του χειριστή σε κραδασμούς) και ενδέχεται να προκαλέσουν ή να συμβάλλουν στην έκθεση σε κραδασμούς μεγαλύτερου βαθμού.
- ▶ Διακόψτε αμέσως την εργασία σας, εάν το μηχάνημα αρχίσει ξαφνικά να δονείται έντονα. Πριν συνεχίσετε την εργασία σας, εντοπίστε και εξαλείψτε την αιτία των αυξημένων κραδασμών.
- ▶ Μην πιάνετε, κρατάτε ή αγγίζετε ποτέ το εργαλείο εισαγωγής όταν χρησιμοποιείτε το μηχάνημα.
- ▶ Να συμμετέχετε στην παρακολούθηση ή στον έλεγχο της υγείας σας, στις ιατρικές εξετάσεις και στα προγράμματα εκπαίδευσης που προσφέρονται από τον εργοδότη σας ή επιβάλλονται από τη νομοθεσία.
- ▶ Όταν εργάζεστε σε συνθήκες ψύχους, να φοράτε ζεστά ρούχα και να διατηρείτε τα χέρια σας ζεστά και στεγνά.

Ανατρέξτε στην ενότητα «Δήλωση εκπομπών θορύβου και κραδασμών» για το μηχάνημα, όπως και τις δηλωμένες τιμές κραδασμών. Αυτές οι πληροφορίες βρίσκονται στο τέλος της ενότητας Οδηγίες ασφαλείας και χειρισμού.

- ◆ Να χρησιμοποιείτε τη συνιστώμενη πίεση αέρα όταν χρησιμοποιείτε το μηχάνημα. Υψηλότερη ή χαμηλότερη πίεση αέρα ενδέχεται να προκαλέσει υψηλότερη στάθμη κραδασμών.

▲ ΚΙΝΔΥΝΟΣ Κίνδυνος από το ηλεκτρικό ρεύμα

Το μηχάνημα δεν είναι ηλεκτρικά μονωμένο. Εάν το μηχάνημα έλθει σε επαφή με ηλεκτρικό ρεύμα, ενδέχεται να προκληθεί σοβαρού βαθμού ή θανατηφόρος τραυματισμός.

- ▶ Μη χρησιμοποιείτε ποτέ το μηχάνημα κοντά σε ηλεκτρικά καλώδια ή άλλη πηγή ηλεκτρισμού.
- ▶ Βεβαιωθείτε ότι δεν υπάρχουν κρυμμένα καλώδια ή άλλες πηγές ηλεκτρισμού στην περιοχή εργασίας σας.

▲ ΠΡΟΕΙΔΟΠΟΙΗΣΗ Κίνδυνος από κρυμμένα αντικείμενα

Κατά τις εργασίες διάτρησης, τα κρυμμένα καλώδια και οι σωλήνες αποτελούν κίνδυνο σοβαρού τραυματισμού.

- ▶ Πριν χρησιμοποιήσετε το μηχάνημα, ελέγξτε την υφή του υλικού.
- ▶ Έχετε το νου σας για κρυμμένα καλώδια και σωληνώσεις π.χ. γραμμές ηλεκτρικού ρεύματος, τηλεφώνου, νερού, φυσικού αερίου και αποχέτευσης κ.λπ.
- ▶ Εάν το εργαλείο εισαγωγής σας δίνει την εντύπωση ότι έχει χτυπήσει ένα κρυμμένο αντικείμενο, σβήστε το μηχάνημα αμέσως.
- ▶ Βεβαιωθείτε ότι δεν υπάρχει κίνδυνος πριν συνεχίσετε.

▲ ΠΡΟΕΙΔΟΠΟΙΗΣΗ Ακούσια εκκίνηση

Η ακούσια εκκίνηση του μηχανήματος ενδέχεται να προκαλέσει τραυματισμό.

- ▶ Να φροντίζετε ώστε να διατηρείτε τα χέρια σας μακριά από τη διάταξη εκκίνησης/διακοπής της λειτουργίας, έως ότου είστε έτοιμοι να θέσετε το μηχάνημα σε λειτουργία.
- ▶ Μάθετε πώς τίθεται το μηχάνημα εκτός λειτουργίας σε περίπτωση έκτακτης ανάγκης.
- ▶ Να ελευθερώνετε αμέσως τη διάταξη εκκίνησης/διακοπής της λειτουργίας σε όλες τις περιπτώσεις διακοπής της παροχής ρεύματος.
- ▶ Κατά την τοποθέτηση ή αφαίρεση του εργαλείου εισαγωγής, να διακόπτετε την παροχή αέρα, να εξαερώνετε το μηχάνημα πιέζοντας τη διάταξη εκκίνησης/διακοπής της λειτουργίας και να αποσυνδέετε το μηχάνημα από την παροχή ισχύος.

▲ ΠΡΟΕΙΔΟΠΟΙΗΣΗ Κίνδυνος από θορύβους

Τα υψηλά επίπεδα θορύβου είναι δυνατόν να προκαλέσουν μόνιμη απώλεια ακοής και άλλα προβλήματα όπως tinnitus (κουδούνισμα, βόμβο, σφύριγμα ή βούισμα στα αυτιά). Προς ελαχιστοποίηση των κινδύνων και πρόληψη της άσκοπης αύξησης των επιπέδων θορύβου, απαιτείται:

- ▶ Αξιολόγηση των συγκεκριμένων κινδύνων και εφαρμογή κατάλληλων μηχανισμών ελέγχου.
- ▶ Χειρισμός και συντήρηση του μηχανήματος, όπως συνιστάται στις παρούσες οδηγίες.
- ▶ Επιλογή, συντήρηση και αντικατάσταση του εργαλείου εισαγωγής, όπως συνιστάται στις παρούσες οδηγίες.
- ▶ Έλεγχος εάν ο σιγαστήρας βρίσκεται στη θέση του και είναι σε καλή κατάσταση λειτουργίας, εάν το μηχάνημα διαθέτει σιγαστήρα.

- ▶ Χρήση προστατευτικών ακοής, πάντα.
- ▶ Χρήση υλικού απόσβεσης κραδασμών, ώστε να αποτρέπεται το «κουδούνισμα» των τεμαχίων εργασίας.

Συντήρηση, προφυλάξεις

▲ ΠΡΟΕΙΔΟΠΟΙΗΣΗ Τροποποίηση μηχανήματος

Οποιαδήποτε τροποποίηση του μηχανήματος ενδέχεται να προκαλέσει τραυματισμό σε εσάς ή τρίτους.

- ▶ Μην τροποποιήσετε ποτέ το μηχάνημα. Τα τροποποιημένα μηχανήματα δεν καλύπτονται από εγγύηση ή ευθύνη για το προϊόν.
- ▶ Να χρησιμοποιείτε πάντα γνήσια εξαρτήματα, εργαλεία εισαγωγής και παρελκόμενα εγκεκριμένα από την Atlas Copco.
- ▶ Να αντικαθιστάτε αμέσως τα εξαρτήματα που έχουν υποστεί ζημία.
- ▶ Να αντικαθιστάτε εγκαίρως τα εξαρτήματα τα οποία παρουσιάζουν ίχνη φθοράς.

▲ ΠΡΟΣΟΧΗ Καυτό εργαλείο εισαγωγής

Το άκρο του εργαλείου εισαγωγής θερμαίνεται και γίνεται αιχμηρό κατά τη χρήση. Εάν το αγγίξετε, είναι δυνατόν να σας προκαλέσει εγκαύματα και κοψίματα.

- ▶ Μην αγγίζετε ποτέ ένα καυτό ή αιχμηρό εργαλείο εισαγωγής.
- ▶ Περιμένετε να κρυώσει το εργαλείο εισαγωγής πριν ξεκινήσετε οποιαδήποτε εργασία συντήρησης σε αυτό.

▲ ΠΡΟΕΙΔΟΠΟΙΗΣΗ Κίνδυνοι λόγω εργαλείων εισαγωγής

Η ακούσια ενεργοποίηση της διάταξης εκκίνησης/διακοπής της λειτουργίας στη διάρκεια της συντήρησης είναι δυνατόν να προκαλέσει σοβαρούς τραυματισμούς, όταν συνδεθεί η παροχή ισχύος.

- ▶ Μην επιθεωρείτε, καθαρίζετε ή αφαιρείτε ποτέ το εργαλείο εισαγωγής, όταν η παροχή ισχύος είναι συνδεδεμένη.

Αποθήκευση, προφυλάξεις

- ◆ Να φυλάσσετε το μηχάνημα και τα εργαλεία σε ασφαλή χώρο, κλειδωμένο και απρόσιτο στα παιδιά.

Επισκόπηση

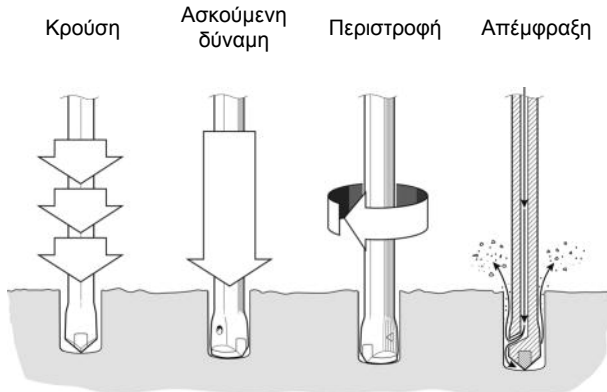
Για να μειώσετε τον κίνδυνο πρόκλησης σοβαρού ή θανατηφόρου τραυματισμού στον εαυτό σας ή σε άλλους, διαβάστε την ενότητα «Οδηγίες ασφάλειας» (βρίσκεται στις προηγούμενες σελίδες του παρόντος εγχειριδίου) πριν χρησιμοποιήσετε το μηχάνημα.

Σχεδιασμός και λειτουργία

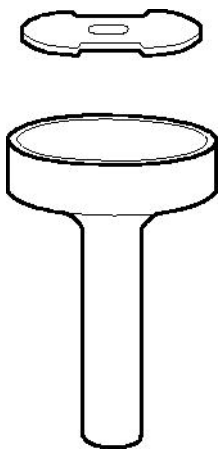
Τα RH 571, RH 572 και RH 658 είναι πνευματικά διατρητικά πετρωμάτων σχεδιασμένα για κάθετη διάτρηση, διάτρηση μικρών οπών και διάτρηση οπών σε σκυρόδεμα σε εφαρμογές κτιριακών κατασκευών και εξόρυξης. Δεν επιτρέπεται καμία άλλη χρήση.

Για να επιλέξετε τα κατάλληλα εργαλεία εισαγωγής, απευθυνθείτε στον τοπικό αντιπρόσωπο της Atlas Copco.

Αρχή λειτουργίας ενός διατρητικού πετρωμάτων

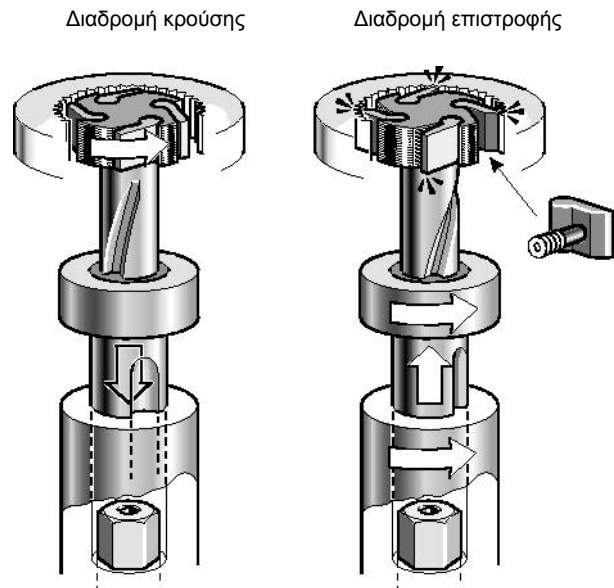


Μηχανισμός βαλβίδας ελέγχου



Η βαλβίδα κατευθύνει τον αέρα εναλλάξ από τη μία πλευρά του εμβόλου στην άλλη, ώστε αυτό να κινείται πάνω-κάτω. Το έμβολο μεταδίδει την ενέργεια μέσω του διατρητικού στελέχους στον πυθμένα της οπής.

Μηχανισμός περιστροφής

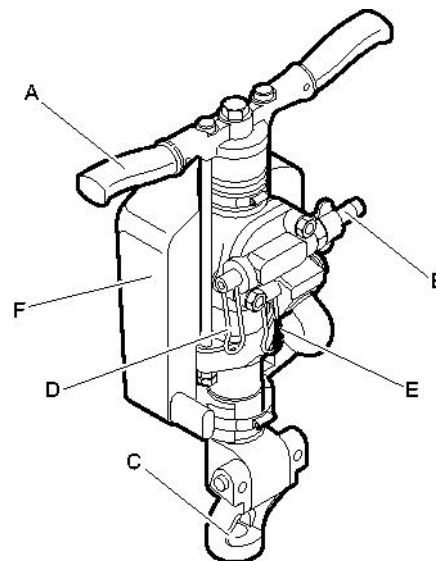


Το διατρητικό στέλεχος περιστρέφεται ελαφρά με κάθε κτύπημα λόγω περιστροφής της ράβδου με αυλάκωση. Η περιστροφή διενεργείται αριστερόστροφα και εφαρμόζεται στη διαδρομή επαναφοράς του εμβόλου.

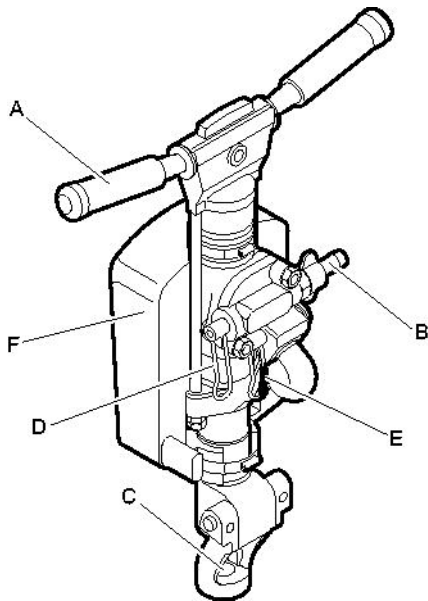
Απέμφραξη

Η απέμφραξη διενεργείται με αέρα διερχόμενο μέσω οπής στο έμβολο. Αυτό σημαίνει ότι ο αέρας απέμφραξης παρέχεται αμέσως μόλις ενεργοποιηθεί η παροχή πεπιεσμένου αέρα.

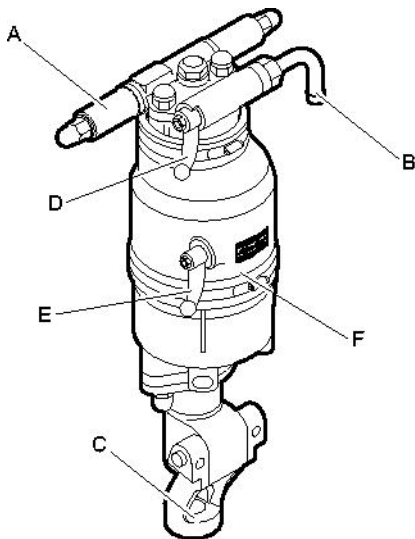
Κύρια μέρη



RH 571-5L/LS



RH 572E



RH 658L/LS

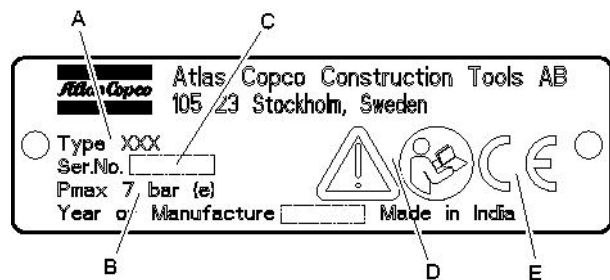
- A. Λαβή
- B. Ρακόρ εισαγωγής αέρα
- C. Διάταξη συγκράτησης διατρητικού στελέχους
- D. Μοχλός γκαζιού
- E. Επιπλέον μοχλός εμφύσησης
- F. Σιγαστήρας (προαιρετικό)

ΕΤΙΚΕΤΕΣ

Στο μηχάνημα υπάρχουν ετικέτες που περιέχουν σημαντικές πληροφορίες σχετικά με την προσωπική ασφάλεια και τη συντήρηση του μηχανήματος. Οι ετικέτες απαιτείται να βρίσκονται σε καλή κατάσταση, ώστε να διευκολύνεται η ανάγνωσή τους. Μπορείτε

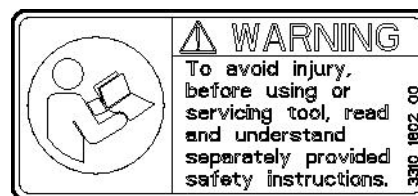
να παραγγείλετε ετικέτες από τον κατάλογο ανταλλακτικών εξαρτημάτων.

Πινακίδα δεδομένων



- A. Τύπος μηχανήματος
- B. Μέγιστη επιτρεπόμενη πίεση πεπιεσμένου αέρα
- C. Αριθμός σειράς
- D. Το προειδοποιητικό σύμβολο μαζί με το σύμβολο του βιβλίου σημαίνουν ότι ο χειριστής απαιτείται να διαβάσει τις Οδηγίες ασφαλείας και χειρισμού πριν χρησιμοποιήσει το μηχάνημα για πρώτη φορά.
- E. Το σύμβολο CE σημαίνει ότι το μηχάνημα είναι εγκεκριμένο από την ΕΚ. Για περαιτέρω πληροφορίες, ανατρέξτε στη δήλωση ΕΚ η οποία συνοδεύει το μηχάνημα. Εάν το σύμβολο CE δεν υπάρχει, αυτό σημαίνει ότι το μηχάνημα δεν είναι εγκεκριμένο από την ΕΚ.

Ετικέτα ασφαλείας



Προς αποφυγή τραυματισμού, πριν από τη χρήση ή τη διενέργεια σέρβις στο εργαλείο, φροντίστε να διαβάσετε και να κατανοήσετε τις χωριστά παρεχόμενες οδηγίες ασφαλείας.

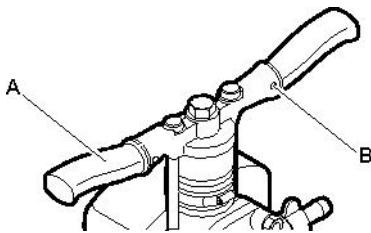
Εγκατάσταση

Αφαίρεση της συσκευασίας του διατρητικού πετρωμάτων

Πλαστικοί προφυλακτήρες

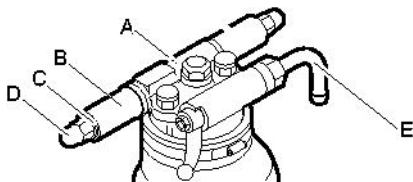
Πριν χρησιμοποιηθεί για πρώτη φορά το διατρητικό πετρωμάτων, θα πρέπει να αφαιρεθούν όλοι οι πλαστικοί προφυλακτήρες από τα ρακόρ του εύκαμπτου σωλήνα, τις οπές εξαέρωσης και το σφιγκτήρα (τσοκ) περιστροφής.

Συναρμολόγηση



RH 571-5L/LS

- 1) Πιέστε τα έδρανα και τις λαβές (A) πάνω σε κάθε πλευρά της οπίσθιας κεφαλής.
- 2) Ασφαλίστε τις λαβές κτυπώντας με προσοχή τους ελατηριωτούς πείρους (B) μέσα στην οπίσθια κεφαλή.



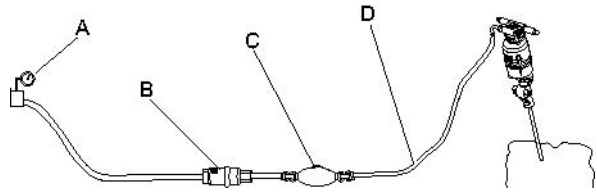
RH 658L/LS

- 1) Τοποθετήστε τον κοχλία λαβής (A) στο εσωτερικό της οπίσθιας κεφαλής.
- 2) Τοποθετήστε τις χειρολαβές (B) σε κάθε πλευρά του κοχλία λαβής.
- 3) Ασφαλίστε τις χειρολαβές χρησιμοποιώντας ροδέλα (C) και σφαιρικούς κοχλίες (D) σε αμφότερες τις πλευρές.
- 4) Βιδώστε το ρακόρ εύκαμπτου σωλήνα (E) στην εισαγωγή αέρα, έως ότου σφίξει.

Λίπανση

Μετά την αφαίρεση της συσκευασίας και την εγκατάσταση του εργαλείου, ρίξτε άφθονη ποσότητα λιπαντικού λαδιού στη σύνδεση αέρα.

Εύκαμπτοι σωλήνες και συνδέσεις



- A. Πηγή πεπιεσμένου αέρα
- B. Διαχωριστής νερού (προαιρετικό)
- C. Λιπαντήρας (προαιρετικό)
- D. Έως 3 μέτρα εύκαμπτου σωλήνα πεπιεσμένου αέρα μεταξύ λιπαντήρα και μηχανήματος.

- ◆ Βεβαιωθείτε ότι χρησιμοποιείτε τη συνιστώμενη πίεση λειτουργίας, 6 bar (e).
- ◆ Απαγορεύεται υπέρβαση της μέγιστης επιτρεπόμενης πίεσης αέρα 7 bar (e).
- ◆ Φυσηξτε για να απομακρύνετε τυχόν ακαθαρσίες από τον εύκαμπτο σωλήνα πεπιεσμένου αέρα πριν από τη σύνδεση στο μηχάνημα.
- ◆ Επιλέξτε τη σωστή διάσταση και το σωστό μήκος για τον εύκαμπτο σωλήνα πεπιεσμένου αέρα. Για μήκη εύκαμπτου σωλήνα έως 30 μέτρα, θα πρέπει να χρησιμοποιείται εύκαμπτος σωλήνας με ελάχιστη εσωτερική διάμετρο 19 mm (3/4"). Εάν το μήκος του εύκαμπτου σωλήνα κυμαίνεται μεταξύ 30 και 100 μέτρων, θα πρέπει να χρησιμοποιηθεί εύκαμπτος σωλήνας με ελάχιστη εσωτερική διάμετρο 25 mm (1").

Μέθοδοι αποφυγής παγώματος

Ενδέχεται να σχηματιστεί πάγος στο σιγαστήρα όταν η θερμοκρασία αέρα του περιβάλλοντος είναι 0-10°C (32-50 °F) και η σχετική υγρασία είναι υψηλή.

Το μηχάνημα έχει σχεδιαστεί ώστε να αποτρέπει το σχηματισμό πάγου στο σιγαστήρα. Ωστόσο, υπό ακραίες συνθήκες, ενδέχεται να σχηματιστεί πάγος μέσα στο σιγαστήρα.

Για να αποτραπεί ο σχηματισμός πάγου, λάβετε τα ακόλουθα μέτρα:

- ◆ Χρησιμοποιήστε το Atlas Copco Rock Drill AIR-OIL ως λιπαντικό.
- ◆ Χρησιμοποιήστε διαχωριστή νερού VAM 5A.

Εάν παγώσει το διατρητικό πετρωμάτων, μην επιχειρήσετε ποτέ να λιώσετε τον πάγο θερμαίνοντάς το. Να περιμένετε πάντα να λιώσει ο πάγος σε θερμοκρασία δωματίου.

Μην χύνετε ποτέ μετουσιωμένη αλκοόλη ή παρόμοιες ουσίες μέσα στο διατρητικό πετρωμάτων, διότι παρεμποδίζουν τη λίπανση και οδηγούν σε αυξημένη φθορά.

Σύνδεση διαχωριστή νερού

Χρησιμοποιήστε έναν ελαστικό σωλήνα με το κατάλληλο μήκος μεταξύ συμπιεστή και διαχωριστή νερού για να διασφαλίσετε ότι οι υδρατμοί ψύχονται και συμπυκνώνονται στον ελαστικό σωλήνα πριν φτάσουν στο διαχωριστή νερού.

Εάν η θερμοκρασία περιβάλλοντος είναι μικρότερη από 0 °C (32 °F), ο ελαστικός σωλήνας πρέπει να έχει αρκετά μικρό μήκος ώστε το νερό να μην παγώνει πριν φτάσει στο διαχωριστή νερού.

Λίπανση

Το διατρητικό πετρωμάτων λιπαίνεται με λάδι το οποίο έχει αναμειχθεί με πεπιεσμένο αέρα και μεταφέρεται στα εξαρτήματα όπου απαιτείται συνεχής λίπανση. Η ποσότητα λαδιού στον πεπιεσμένο αέρα ρυθμίζεται μέσω ενός λιπαντήρα Atlas Copco CLG 30 που είναι συνδεδεμένος στη γραμμή αέρα.

Να χρησιμοποιείτε Atlas Copco Rock Drill AIR-OIL το οποίο έχει αναπτυχθεί ειδικά για τους τύπους πνευματικών διατρητικών πετρωμάτων BBC, BBD και RH. Το Rock Drill AIR-OIL είναι άμεσα βιοδιασπώμενο σύμφωνα με το πρότυπο OECD 301 και διαθέτει υψηλή αντοχή φιλμ ώστε να αντέχει σε βαριά φορτία. Εάν το Rock Drill AIR-OIL δεν είναι διαθέσιμο, χρησιμοποιήστε λάδι πνευματικών εργαλείων με βάση ορυκτέλαιο με τις συνιστώμενες ιδιότητες που αναγράφονται στον πίνακα κατωτέρω.

Εύρος θερμοκρασίας (°C)	Βαθμός ιξώδους (ISO 3448)
-30 έως 0	ISO VG 32-68
-10 έως +20	ISO VG 68-100
+10 έως +50	ISO VG 100-150

Ρύθμιση πίεσης

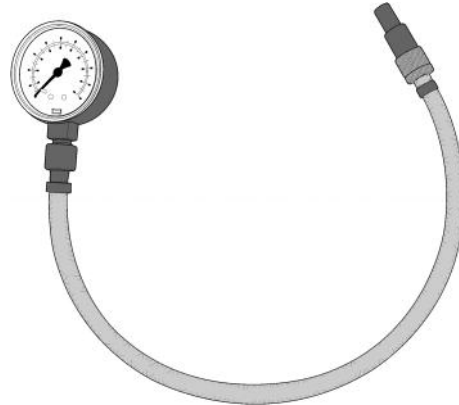
Πίεση αέρα

Διασφαλίστε ότι ο συμπιεστής είναι σε θέση να παρέχει την απαιτούμενη πίεση αέρα 4-6 bar στο εργαλείο.

1. Η υψηλή πίεση προκαλεί ανώμαλη λειτουργία και υπερβολική φθορά.
2. Η χαμηλή πίεση έχει ως αποτέλεσμα αργή ταχύτητα διάτρησης.

Βαθμονόμηση της σωστής πίεσης αέρα

Να χρησιμοποιείτε το μανόμετρο Atlas Copco (9090 0550 80) για τον έλεγχο της πίεσης αέρα κατά τη λειτουργία του τρυπανιού πετρωμάτων. Η μέτρηση της πίεσης θα πρέπει να διενεργείται κοντά στο μαστό εισαγωγής. Η μέγιστη πίεση λειτουργίας είναι 6 bar.



Το μανόμετρο διαθέτει βελόνα η οποία πιέζεται μέσα στον εύκαμπτο σωλήνα με σκοπό τη μέτρηση της πίεσης στο εσωτερικό.

Διατρητικό στέλεχος

▲ ΠΡΟΕΙΔΟΠΟΙΗΣΗ Εκτίναξη εργαλείου εισαγωγής

Εάν η διάταξη συγκράτησης του εργαλείου στο μηχάνημα δεν είναι στη θέση ασφάλισης, το εργαλείο εισαγωγής ενδέχεται να εκτιναχθεί με δύναμη και να προκαλέσει τραυματισμό.

- ▶ Πριν από την αλλαγή του εργαλείου εισαγωγής, διακόψτε τη λειτουργία του μηχανήματος, διακόψτε την παροχή πεπιεσμένου αέρα και εξαερώστε το μηχάνημα ενεργοποιώντας τη διάταξη εκκίνησης/διακοπής της λειτουργίας.

Πριν από την τοποθέτηση του διατρητικού στελέχους

Βεβαιωθείτε ότι το στέλεχος του εργαλείου έχει το κατάλληλο μέγεθος και μήκος για το χρησιμοποιούμενο σφιγκτήρα (τσοκ). Το στέλεχος πρέπει να είναι καθαρό και το εργαλείο να είναι σε καλή κατάσταση λειτουργίας. Τα στελέχη από τα οποία έχουν αποσπασθεί μικρά τεμάχια, είναι στρογγυλεμένα, και όχι τετραγωνισμένα ή είναι πολύ σκληρά στο άκρο κρούσης δεν θα λειτουργούν αποτελεσματικά και θα προκαλέσουν πρόωμη αστοχία του εμβόλου.

Επιθεωρήστε το διατρητικό στέλεχος:

Ένα αμβλύ διατρητικό στέλεχος μειώνει την ταχύτητα διάτρησης και καταπονεί υπερβολικά το μηχανισμό διάτρησης. Κατά την αλλαγή διατρητικού στελέχους, φροντίστε ώστε το νέο στέλεχος να έχει το κατάλληλο μέγεθος ώστε να αντιστοιχεί στην υπάρχουσα διάμετρο.

Πριν από τη διάτρηση, βεβαιωθείτε ότι η σπή απέμφραξης στο διατρητικό στέλεχος δεν παρουσιάζει έμφραξη.

▲ ΠΡΟΣΟΧΗ Καυτό εργαλείο εισαγωγής

Το άκρο του εργαλείου εισαγωγής θερμαίνεται και γίνεται αιχμηρό κατά τη χρήση. Εάν το αγγίξετε, είναι δυνατόν να σας προκαλέσει εγκαύματα και κοψίματα.

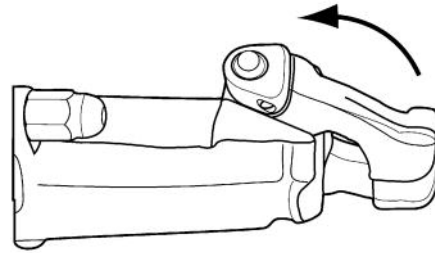
- ▶ Μην αγγίζετε ποτέ ένα καυτό ή αιχμηρό εργαλείο εισαγωγής.
- ▶ Περιμένετε να κρυώσει το εργαλείο εισαγωγής πριν ξεκινήσετε οποιαδήποτε εργασία συντήρησης σε αυτό.

ΕΙΔΟΠΟΙΗΣΗ Μην ψύχετε ποτέ ένα καυτό εργαλείο εισαγωγής μέσα σε νερό, ενδέχεται να επέλθει ευθραυστότητα και πρόωρη αστοχία.

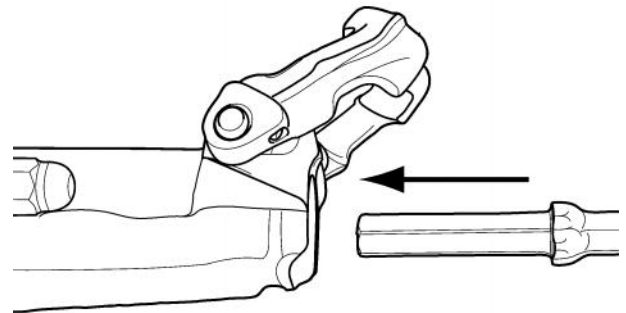
Τοποθέτηση του διατρητικού στελέχους

Κατά την τοποθέτηση του διατρητικού στελέχους, απαιτείται η τήρηση των ακόλουθων οδηγιών:

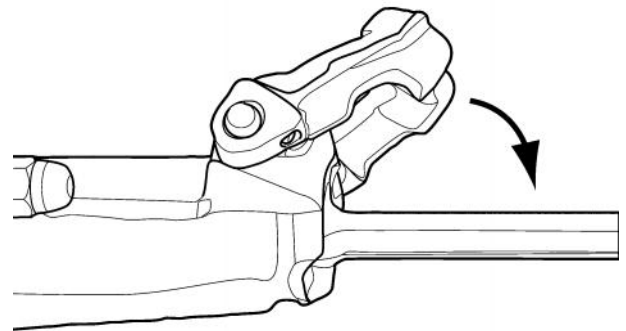
1. Ωθήστε τη διάταξη συγκράτησης προς τα έξω στην κατεύθυνση του βέλους, έως ότου το εμπρόσθιο τμήμα της διάταξης συγκράτησης να υποδεχθεί το κολάρο του διατρητικού στελέχους.



2. Τοποθετήστε το διατρητικό στέλεχος στο σφιγκτήρα.



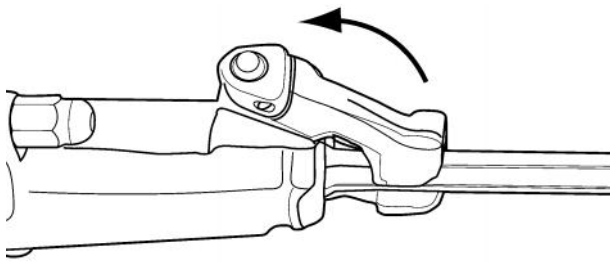
3. Όταν το στέλεχος τερματίσει, ωθήστε τη διάταξη συγκράτησης προς τα πίσω ώστε να ασφαλιστεί.



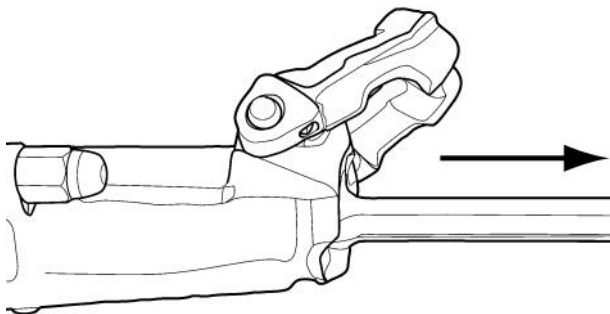
Αφαίρεση του διατρητικού στελέχους

Κατά την αφαίρεση του διατρητικού στελέχους, απαιτείται η τήρηση των ακόλουθων οδηγιών:

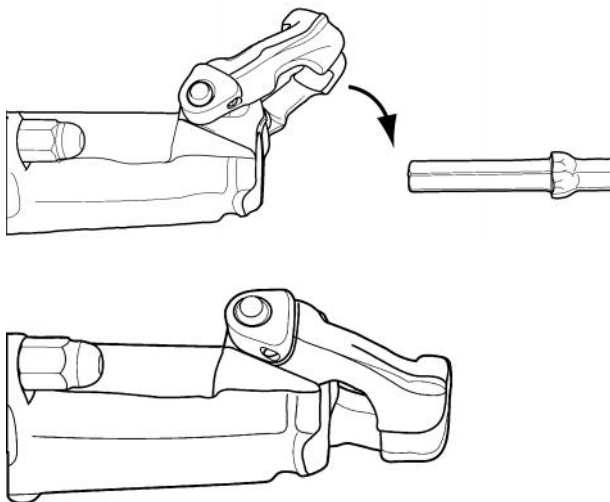
1. Ωθήστε τη διάταξη συγκράτησης προς τα έξω στην κατεύθυνση του βέλους, έως ότου να απεμπλακεί το κολάρο του διατρητικού στελέχους από το εμπρόσθιο τμήμα της διάταξης συγκράτησης.



2. Τραβήξτε το διατρητικό στέλεχος προς τα έξω.



3. Ωθήστε τη διάταξη συγκράτησης προς τα πίσω.



Λειτουργία

▲ ΠΡΟΕΙΔΟΠΟΙΗΣΗ Ακούσια εκκίνηση

Η ακούσια εκκίνηση του μηχανήματος ενδέχεται να προκαλέσει τραυματισμό.

- ▶ Να κρατάτε τα χέρια σας μακριά από τη διάταξη εκκίνησης/διακοπής της λειτουργίας, έως ότου είστε έτοιμοι να θέσετε το μηχάνημα σε λειτουργία.
- ▶ Μάθετε πώς τίθεται το μηχάνημα εκτός λειτουργίας σε περίπτωση έκτακτης ανάγκης.
- ▶ Διακόψτε αμέσως τη λειτουργία του μηχανήματος, σε όλες τις περιπτώσεις διακοπής της παροχής ρεύματος.

Προετοιμασίες πριν ξεκινήσετε

Ελέγξτε τον εξοπλισμό διάτρησης

- ◆ Βεβαιωθείτε ότι το σύνολο του εξοπλισμού διάτρησης είναι σε καλή κατάσταση λειτουργίας.
- ◆ Βεβαιωθείτε ότι η επιφάνεια κρούσης του διατρητικού στελέχους είναι επίπεδη, χωρίς ίχνη φθοράς.
- ◆ Βεβαιωθείτε ότι οι οπές εισαγωγής και εξαγωγής αέρα δεν παρουσιάζουν έμφραξη.
- ◆ Βεβαιωθείτε ότι οι οπές απέμφραξης στο διατρητικό στέλεχος και στη μύτη του εργαλείου δεν παρουσιάζουν έμφραξη και ότι ο αέρας απέμφραξης διέρχεται χωρίς να παρεμποδίζεται.
- ◆ Βεβαιωθείτε ότι το φίλτρο αέρα (βρίσκεται μέσα στο ρακόρ αέρα) είναι καθαρό και όχι σχισμένο ή παραμορφωμένο.
- ◆ Βεβαιωθείτε ότι τα εξαρτήματα στερέωσης είναι καλά σφιγμένα και δεν παρουσιάζουν διαρροή.

▲ ΚΙΝΔΥΝΟΣ Μη ελεγχόμενες κινήσεις του εύκαμπτου σωλήνα

Σε περίπτωση αποσύνδεσης εύκαμπτου σωλήνα πεπιεσμένου αέρα στα σημεία σύνδεσης ενώ βρίσκεται υπό πίεση, μπορεί να κινηθεί με μεγάλη ταχύτητα και δύναμη και να προκαλέσει τραυματισμό ή θάνατο.

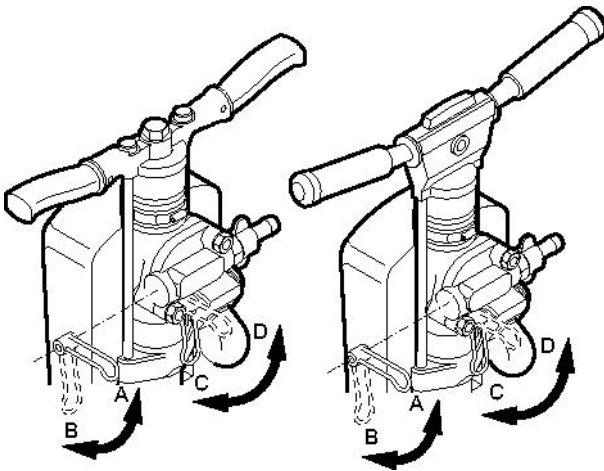
- ▶ Βεβαιωθείτε ότι ο εύκαμπτος σωλήνας πεπιεσμένου αέρα και οι συνδέσεις δεν έχουν υποστεί ζημία.
- ▶ Βεβαιωθείτε ότι όλες οι συνδέσεις πεπιεσμένου αέρα είναι κατάλληλα προσαρμοσμένες.

Φυσήξτε αέρα στον εύκαμπτο σωλήνα

- ♦ Κάθε ημέρα πριν από τη χρήση του διατρητικού, φυσήξτε αέρα στον εύκαμπτο σωλήνα για να τον καθαρίσετε από τυχόν συσσωρευμένες ακαθαρσίες και υγρασία.

Πληρώστε το λιπαντήρα με λάδι

- ♦ Να ελέγχετε ότι ο σφινγκτήρας και το διατρητικό στέλεχος είναι πάντα καλυμμένα με φιλμ λαδιού.

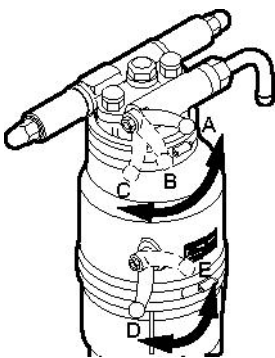
Χειριστήρια**Μοχλός γκαζιού**

RH 571-5L/LS

RH 572E

Το διατρητικό πετρωμάτων είναι εφοδιασμένο με μοχλό γκαζιού για τη ρύθμιση πεπιεσμένου αέρα στο μηχανισμό κρούσης και μοχλό εμφύσησης για επιπλέον καθαρισμό με εμφύσηση αέρα.

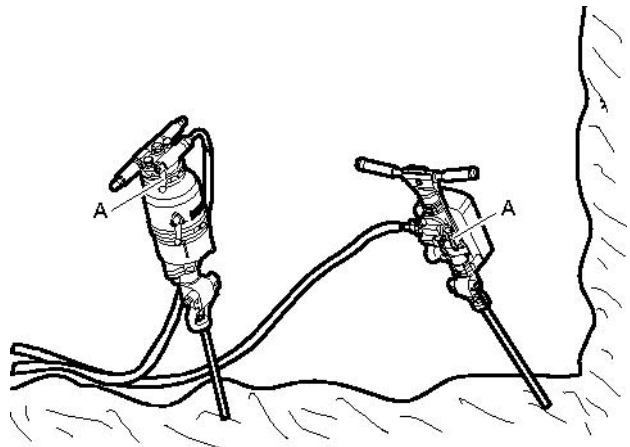
- A. Βαλβίδα γκαζιού κλειστή (θέση διακοπής)
- B. Μοχλός γκαζιού πλήρως ανοικτός
- C. Βαλβίδα εμφύσησης κλειστή (θέση διακοπής)
- D. Βαλβίδα εμφύσησης πλήρως ανοικτή



RH 658L/LS

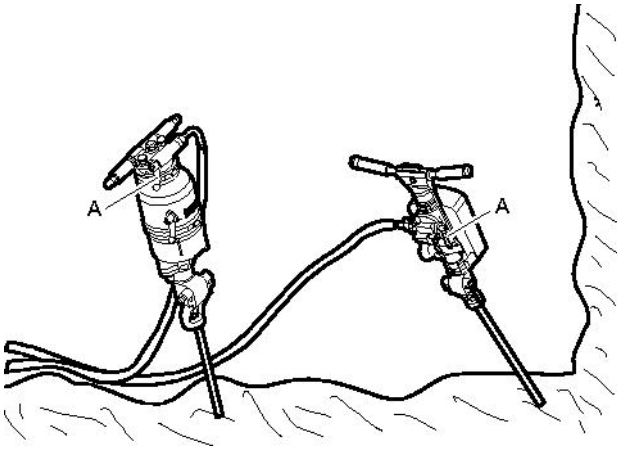
Το διατρητικό πετρωμάτων είναι εφοδιασμένο με μοχλό γκαζιού για τη ρύθμιση πεπιεσμένου αέρα στο μηχανισμό κρούσης και μοχλό εμφύσησης για επιπλέον καθαρισμό με εμφύσηση αέρα.

- A. Βαλβίδα γκαζιού κλειστή (θέση διακοπής)
- B. Μοχλός γκαζιού ανοικτός κατά το ήμισυ
- C. Μοχλός γκαζιού πλήρως ανοικτός
- D. Βαλβίδα εμφύσησης κλειστή (θέση διακοπής)
- E. Βαλβίδα εμφύσησης πλήρως ανοικτή

Εκκίνηση και διακοπή**Εκκίνηση του διατρητικού πετρωμάτων**

1. Ανοίξτε την κύρια βαλβίδα πεπιεσμένου αέρα.
2. Ευθυγραμμίστε το διατρητικό πετρωμάτων, ώστε το διατρητικό στέλεχος να ακουμπά στο κατάλληλο σημείο εφαρμογής.
3. Μετακινήστε το μοχλό γκαζιού (A) ελαφρά προς τα εμπρός, πράγμα το οποίο θα εκκινήσει τη λειτουργία κρούσης και περιστροφής.
4. Σχηματίστε την οπή με μειωμένη ασκούμενη δύναμη.
5. Μετακινήστε το μοχλό γκαζιού (A) πλήρως προς τα εμπρός, μόλις το διατρητικό στέλεχος στηρίζεται σταθερά μέσα στο πέτρωμα.

Διακοπή λειτουργίας του διατρητικού πετρωμάτων



1. Τραβήξτε το μοχλό γκαζιού (A) προς τα πίσω στην κλειστή θέση, πράγμα το οποίο θα διακόψει τη λειτουργία κρούσης και περιστροφής.

Χειρισμός

Διάτρηση

- ♦ Να χρησιμοποιείτε προστατευτικά παπούτσια, γάντια, κράνος, ωτοασπίδες και γυαλιά ασφαλείας ανθεκτικά σε κρούσεις με πλευρική προστασία.
- ♦ Να στέκεστε σταθερά και να κρατάτε πάντα το μηχάνημα και με τα δύο χέρια.
- ♦ Να συγκρατείτε το εργαλείο εισαγωγής σταθερά πάνω στην επιφάνεια εργασίας, πριν από την εκκίνηση του μηχανήματος.

Όταν κάνετε διάλειμμα

- ♦ Στη διάρκεια των διαλειμμάτων πρέπει να τοποθετήσετε το μηχάνημα με τέτοιο τρόπο ώστε να μην υπάρχει κίνδυνος ακούσιας εκκίνησης. Βεβαιωθείτε ότι το μηχάνημα στηρίζεται στο έδαφος, ώστε να μην υπάρχει κίνδυνος πτώσης.
- ♦ Σε περίπτωση διαλείμματος μεγάλης διάρκειας ή όταν φεύγετε από το χώρο εργασίας: Διακόψτε την παροχή ρεύματος και στη συνέχεια εξαρώστε το μηχάνημα ενεργοποιώντας τη διάταξη εκκίνησης/διακοπής της λειτουργίας.

Συντήρηση

Η τακτική συντήρηση είναι βασική προϋπόθεση για τη συνεχή, ασφαλή και αποτελεσματική χρήση του μηχανήματος. Τηρήστε τις οδηγίες συντήρησης με προσοχή.

- ♦ Πριν αρχίσετε με τη συντήρηση του μηχανήματος, καθαρίστε το ώστε να αποφύγετε την έκθεση σε επικίνδυνες χημικές ουσίες. Βλ. ενότητα «Κίνδυνος λόγω σκόνης και αναθυμιάσεων»
- ♦ Να χρησιμοποιείτε μόνον εγκεκριμένα εξαρτήματα. Τυχόν ζημιά ή δυσλειτουργία οφειλόμενη στη χρήση μη εγκεκριμένων εξαρτημάτων δεν καλύπτεται από την εγγύηση ή την ευθύνη για το προϊόν.
- ♦ Όταν καθαρίζετε μηχανικά εξαρτήματα με διαλυτικό, να συμμορφώνεστε με τους ισχύοντες κανονισμούς υγείας και ασφαλείας και να φροντίζετε ώστε ότι ο αερισμός να είναι επαρκής.
- ♦ Για εκτεταμένες εργασίες σέρβις του μηχανήματος, απευθυνθείτε στο πλησιέστερο εξουσιοδοτημένο συνεργείο.
- ♦ Μετά από κάθε εργασία σέρβις, να ελέγχετε εάν το επίπεδο κραδασμών του μηχανήματος είναι φυσιολογικό. Εάν όχι, απευθυνθείτε στο πλησιέστερο εξουσιοδοτημένο συνεργείο.

Διαφορές μεταξύ γνήσιων εξαρτημάτων και απομιμήσεων

Όταν αγοράζετε ένα εξάρτημα, το πρώτο πράγμα που θα πρέπει να κάνετε είναι να ελέγξετε εάν το εξάρτημα είναι της Atlas Copco. Τα περισσότερα εξαρτήματα είναι δυνατόν να αναγνωριστούν.



1985 5123 45

Στα εξαρτήματα του διατρητικού πετρωμάτων συνήθως υπάρχει ένας κωδικός είδους και η αναγνωριστική ένδειξη της Atlas Copco που είναι ένας κύκλος με ένα διατρητικό πετρωμάτων. Σε ορισμένες περιπτώσεις, το εξάρτημα έχει μόνον τον κύκλο ή μόνον τον κωδικό είδους.

Τα ελαστικά και τα πλαστικά εξαρτήματα συνήθως δεν φέρουν ενδείξεις.

Οι ανταγωνιστές που αντιγράφουν τα εξαρτήματά μας συχνά τοποθετούν ενδείξεις στα κυριότερα, ακριβά εξαρτήματα. Ορισμένα εξαρτήματα έχουν μόνον τον κωδικό είδους, αλλά υπάρχουν και άλλα που φέρουν μια αναγνωριστική ένδειξη με τη μορφή των αρχικών του κατασκευαστή. Οι κωδικοί είδους στις απομιμήσεις εξαρτημάτων συνήθως

αποτυπώνονται με το χέρι, με αποτέλεσμα να υπάρχουν ακανόνιστες γραμμές. Οι κωδικοί είδους που αποτυπώνονται από την Atlas Copco έχουν κανονικές γραμμές και τα ψηφία έχουν όλα τα ίδιο μέγεθος. Επιπλέον, το βάθος των ψηφίων και η απόσταση μεταξύ των ψηφίων σε κάθε ομάδα είναι ίδια.

Κάθε ημέρα

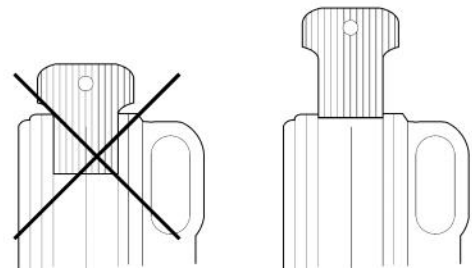
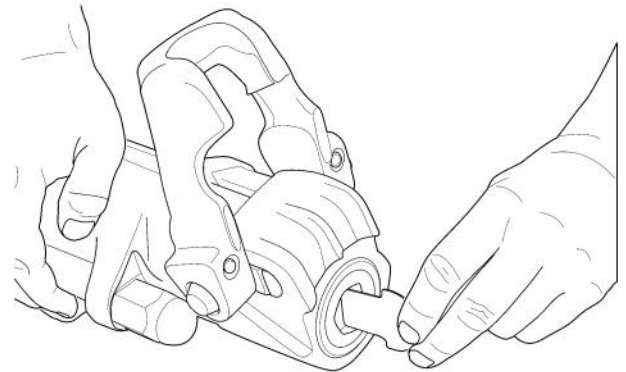
Πριν από την εκτέλεση οποιασδήποτε εργασίας συντήρησης ή αλλαγής του εργαλείου εισαγωγής σε πνευματικά μηχανήματα, να διακόπτετε πάντα την παροχή πεπιεσμένου αέρα και να εξαερώνετε το μηχανήμα πιέζοντας τη διάταξη εκκίνησης/διακοπής της λειτουργίας, στη συνέχεια να αποσυνδέετε τον εύκαμπτο σωλήνα αέρα από το μηχανήμα.

- ◆ Να καθαρίζετε και να επιθεωρείτε το μηχανήμα και τις λειτουργίες του, κάθε ημέρα πριν από την έναρξη της εργασίας.
- ◆ Να διενεργείτε γενική επιθεώρηση για διαρροές και ζημίες.
- ◆ Να βεβαιώνετε ότι το ρακόρ εισαγωγής αέρα είναι σφιγμένο και ότι η σύνδεση με σιαγόνες δεν έχει υποστεί ζημία.
- ◆ Ελέγξτε τη λειτουργία της λαβής γκαζιού. Βεβαιωθείτε ότι κινείται ελεύθερα πάνω-κάτω.
- ◆ Ελέγξτε τη λειτουργία της διάταξης συγκράτησης. Βεβαιωθείτε ότι το διατηρητικό στέλεχος ασφαρίζεται κατάλληλα.
- ◆ Να αντικαθιστάτε αμέσως τα εξαρτήματα που έχουν υποστεί ζημία.
- ◆ Να αντικαθιστάτε εγκαίρως τα εξαρτήματα που έχουν φθαρεί.
- ◆ Ελέγξτε τους διαμπερείς κοχλίες του μηχανήματος. Βεβαιωθείτε ότι είναι σφιγμένοι.
- ◆ Εάν το μηχανήμα είναι εφοδιασμένο με σιαστήρα, ελέγξτε για ζημία.

Έλεγχος για φθορά

1. Ελέγξτε τη φθορά στο έδρανο σφιγκτήρα χρησιμοποιώντας το διακενόμετρο Atlas Copco (3091 0038 00) (22 mm).

Εάν παρατηρήσετε υπέρβαση του ορίου φθοράς, το διατηρητικό στέλεχος θα φθαρεί πιο γρήγορα ή θα παραμορφωθεί. Αυτό προκαλεί διακοπές στη λειτουργία και αυξημένη φθορά του διατηρητικού στελέχους.

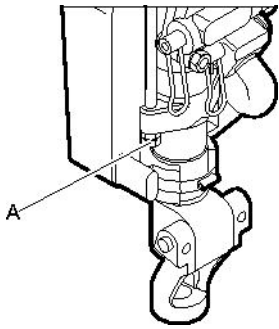


2. Ελέγξτε τους εύκαμπτους σωλήνες, τους συνδέσμους και τα χειριστήρια για διαρροή και ζημία.
3. Βεβαιωθείτε ότι το διατηρητικό πετρωμάτων λιπαίνεται επαρκώς. Πληρώστε το λιπαντήρα, εάν απαιτείται.
4. Αποστραγγίστε το διαχωριστή νερού.

Περιοδική συντήρηση

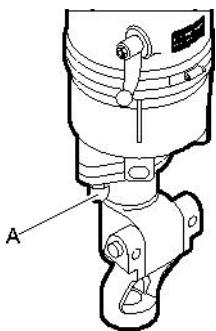
Μετά από κάθε περίοδο 100 ωρών εργασίας ή 3 φορές το χρόνο, το μηχανήμα πρέπει να αποσυναρμολογείται και όλα τα εξαρτήματα να καθαρίζονται και να ελέγχονται. Η εργασία αυτή πρέπει να εκτελείται από εξουσιοδοτημένο προσωπικό, εκπαιδευμένο σε εργασίες αυτού του είδους.

Ροπή σύσφιξης



RH 571-5L/LS, RH 572E

A. Παξιμάδι πλευρικού κοχλίου, 90 Nm (66 ft.lbf)



RH 658L/LS

A. Παξιμάδι πλευρικού κοχλίου, 125 Nm (92 ft.lbf)

Ενδείξεις ζημίας

Τα φθαρμένα ή σπασμένα εξαρτήματα πρέπει πάντα να μελετώνται προσεκτικά πριν αντικατασταθούν. Μπορεί να δώσουν σημαντικές πληροφορίες σχετικά με την κατάσταση του τρυπανιού και τον τρόπο χρήσης και συντήρησής του.

Πρόβλημα	Αιτία
Τα χαλύβδινα εξαρτήματα έχουν γαλαζωπό χρώμα	Τα εξαρτήματα έχουν εκτεθεί σε υπερβολική θερμότητα. Αυτό ενδέχεται να οφείλεται σε ανεπαρκή λίπανση ή λειτουργία χωρίς φορτίο
Τα χαλύβδινα εξαρτήματα έχουν μικρές, σχεδόν μικροσκοπικές ρωγμές στις επιφάνειες που φθείρονται	Βλ. ανωτέρω
Ακανόνιστες κοιλότητες στην επιφάνεια των ορειχάλκινων εξαρτημάτων	Βλ. ανωτέρω
Σημάδια κοπής	Δευτερεύουσα ζημία Ακαθαρσίες στο εσωτερικό του διατρητικού
	Έλλειψη εσωτερικής ευθυγράμμισης λόγω ανομοιόμορφης τάσης των πλευρικών κοχλιών

Αποθήκευση

- Να λιπαίνετε πάντα επαρκώς το διατρητικό πετρωμάτων, πριν από τη φύλαξη.
- Να αποθηκεύετε πάντα το μηχάνημα σε καθαρό και στεγνό χώρο.
- Βεβαιωθείτε ότι δεν έχουν διεισδύσει στο μηχάνημα ξένα υλικά.
- Προστατέψτε το σφιγκτήρα χρησιμοποιώντας το πλαστικό βύσμα που παρέχεται μαζί με το μηχάνημα. Εναλλακτικά, μπορείτε να χρησιμοποιήσετε ένα ξύλινο βύσμα ή ένα καθαρό τεμάχιο βαμβακερού υφάσματος.
- Σε περίπτωση παρατεταμένης φύλαξης, ρίξτε μια ποσότητα λαδιού απευθείας στην εισαγωγή αέρα του διατρητικού πετρωμάτων και κατόπιν ανοίξτε την παροχή αέρα για μικρό χρονικό διάστημα. Με αυτόν τον τρόπο προστατεύετε το μηχάνημα από τη διάβρωση.

Απόρριψη

Ένα μεταχειρισμένο μηχάνημα πρέπει να απορρίπτεται με τέτοιο τρόπο και βάσει των τοπικών περιορισμών, ώστε η ανακύκλωση του μεγαλύτερου μέρους των υλικών να είναι εφικτή και οι τυχόν αρνητικές επιπτώσεις στο περιβάλλον να ελαχιστοποιούνται.

Τεχνικά δεδομένα

Δεδομένα μηχανήματος

Μοντέλο	Κωδ. είδους	Διάμετρος εμβόλου mm (in.)	Μήκος διαδρομής mm (in.)	Συνολικό μήκος mm (in.)	Βάρος kg (lb)	Διάσταση στελέχους mm (in.)
RH 571-5L	8311 0301 29	55 (2,16)	60 (2,36)	510 20	17,8 (39,2)	22 X 108 (7/8 x 4 1/4)
RH 571-5LS	8311 0301 37	55 (2,16)	60 (2,36)	510 20	18,9 (41,7)	22 X 108 (7/8 x 4 1/4)
RH 572E	8311 0301 78	55 (2,16)	60 (2,36)	583 23	22,8 (50,2)	22 X 108 (7/8 x 4 1/4)
RH 658L	8311 0302 86	65 (2,56)	59 (2,32)	565 22 1/4	24,0 (52,9)	22 X 108 (7/8 x 4 1/4)
RH 658LS	8311 0302 87	65 (2,56)	59 (2,32)	565 22 1/4	25,0 (55,1)	22 X 108 (7/8 x 4 1/4)

Μοντέλο	Κατανάλωση αέρα (6 bar) l/s (foot ³ /min)	Ρυθμός κρούσης (6 bar) Hz	Διάμετρος οπής mm (in.)
RH 571-5L	39 (83)	35	28-34 (1,10-1,34)
RH 571-5LS	39 (83)	33	28-34 (1,10-1,34)
RH 572E	37 (78)	34	28-34 (1,10-1,34)
RH 658L	58 (123)	34	29-40 (1,14-1,57)
RH 658LS	58 (123)	34	29-40 (1,14-1,57)

Δήλωση εκπομπών θορύβου και κραδασμών

Εγγυημένη στάθμη ηχητικής ισχύος **L_w** κατά ISO 3744 σύμφωνα με την οδηγία 2000/14/EK.

Στάθμη ηχητικής πίεσης **L_p** σύμφωνα με το ISO 11203.

Τιμή κραδασμών **A** και αβεβαιότητα **B** προσδιοριζόμενη σύμφωνα με ISO 20643. Βλ. πίνακα «Δεδομένα θορύβου και κραδασμών» για τις τιμές A, B, κ.λ.π.

Αυτές οι δηλωμένες τιμές, έχουν προκύψει από δοκιμές εργαστηριακού τύπου σύμφωνα με την αναφερόμενη οδηγία ή πρότυπα και είναι κατάλληλες για σύγκριση με τις δηλωμένες τιμές για άλλα εργαλεία τα οποία έχουν υποβληθεί σε δοκιμές σύμφωνα με την ίδια οδηγία ή πρότυπα. Αυτές οι δηλωμένες τιμές δεν είναι κατάλληλες για χρήση σε αξιολογήσεις κινδύνου και οι τιμές μέτρησης σε διαφορετικούς χώρους εργασίας ενδέχεται να είναι υψηλότερες. Οι πραγματικές τιμές έκθεσης και ο κίνδυνος βλάβης για μεμονωμένο χρήστη είναι μοναδικές και εξαρτώνται από τον τρόπο με τον οποίο εργάζεται ο χρήστης, από το υλικό στο οποίο χρησιμοποιείται το μηχάνημα, από το χρόνο έκθεσης και τη φυσική κατάσταση του χρήστη, όπως και την κατάσταση του μηχανήματος.

Εμείς, η Atlas Copco Construction Tools AB, δεν αναλαμβάνουμε την ευθύνη για τις συνέπειες της χρήσης των δηλωμένων τιμών αντί των τιμών που αντιστοιχούν στον πραγματικό χρόνο έκθεσης, σε μια κατάσταση μεμονωμένης αξιολόγησης κινδύνου σε χώρο εργασίας τον οποίο δεν ελέγχουμε.

Το εργαλείο αυτό ενδέχεται να προκαλέσει σύνδρομο κραδασμών καρπού-βραχίονα, εάν δεν χρησιμοποιείται με κατάλληλο τρόπο. Μπορείτε να ανατρέξετε σε οδηγό της ΕΕ σχετικά με την αντιμετώπιση των κραδασμών καρπού-βραχίονα στον ιστότοπο <http://www.humanvibration.com/EU/VIBGUIDE.htm>

Συνιστούμε ένα πρόγραμμα παρακολούθησης υγείας για την έγκαιρη αναγνώριση των αρχικών συμπτωμάτων τα οποία ενδέχεται να σχετίζονται με την έκθεση σε κραδασμούς, ώστε να είναι δυνατή η τροποποίηση των διαδικασιών διαχείρισης και να αποτρέπονται σοβαρές αναπηρίες στο μέλλον.

Δεδομένα θορύβου και κραδασμών

Μοντέλο	Θόρυβος		Κραδασμοί	
	Δηλωμένες τιμές		Δηλωμένες τιμές	
	Ηχητική πίεση	Ισχύς θορύβου	Τιμές τριών αξόνων	
	ISO 11203	2000/14/ΕΚ	ISO 20643	
	L _p r=1m dB(A) rel 20μPa	L _w εγγυημένο dB(A) rel 1pW	A m/s ² τιμή	B m/s ² διάδοση
RH 571-5L	106	119	23,2	2,8
RH 571-5LS	99	112	23,2	2,8
RH 572E	100	113	9,7	1,9
RH 658L	106	116	21,2	2,6
RH 658LS	99	112	21,2	2,6

Παρελκόμενα

Περιγραφή	Παρατήρηση	Ποσότητα	Κωδικός Προϊόντος
CLG 30, ευρωπαϊκός τύπος	Για ορυκτέλαιο και συνθετικό λάδι	1	8202 5102 39
BLG 30, ευρωπαϊκός τύπος	Για ορυκτέλαιο	1	8202 5102 05
VAM 01, ευρωπαϊκός τύπος	Παροχή αέρα <50 l/s (106 ft ³ /min)	1	8092 0110 58
VAM 5A, ευρωπαϊκός τύπος	Παροχή αέρα <120 l/s (254 ft ³ /min)	1	8092 0110 82
Ελαστικός εύκαμπτος σωλήνας, προσαρμοσμένος εκ των προτέρων	20 mm (¾")	1	9030 2047 00
Επίπεδος εύκαμπτος σωλήνας X-LITE, γενικής χρήσης	20 mm (¾")	1	9030 2115 00
Rock Drill AIR-OIL	4 l	1	8099 0201 04
Rock Drill AIR-OIL	10 l	1	8099 0201 10

Δήλωση Συμμόρφωσης της ΕΚ

Δήλωση Συμμόρφωσης της ΕΚ (Οδηγία ΕΚ 2006/42/ΕΚ)

Εμείς, η Atlas Copco Construction Tools AB, δια του παρόντος δηλώνουμε ότι τα μηχανήματα τα οποία αναγράφονται κατωτέρω συμμορφώνονται με τις προβλέψεις των Οδηγιών της ΕΚ 2006/42/ΕΚ (Οδηγία περί Μηχανημάτων), όπως και τα εναρμονισμένα πρότυπα που αναγράφονται κατωτέρω.

Γεωτρύπανα	Κωδ. είδους	Pmax (bar)
RH 571-5L	8311 0301 29	7
RH 571-5LS	8311 0301 37	7
RH 572E	8311 0301 78	7
RH 658L	8311 0302 86	7
RH 658LS	8311 0302 87	7

Εξουσιοδοτημένος εκπρόσωπος τεχνικής τεκμηρίωσης:

Erik Sigfridsson

Atlas Copco Constructions Tools AB

Dragonvägen 2

Kalmar

Γενικός Διευθυντής:

Erik Sigfridsson

Κατασκευαστής:

Atlas Copco Constructions Tools AB

105 23 Stockholm

Sweden

Τόπος και ημερομηνία:

Kalmar, 2010-01-01

SUOMI

Sisälllys

Johdanto.....	197
Tietoja turvallisuusohjeista ja käyttöohjeesta.....	197
Turvallisuusohjeet.....	198
Turvasignaali-tekstit.....	198
Henkilökohtaiset varotoimenpiteet ja valmiudet.....	198
Henkilökohtainen suojavarustus.....	198
Huumeet ja alkoholin tai lääkkeiden käyttö.....	198
Asennus, varotoimenpiteet.....	198
Käyttö, varotoimenpiteet.....	199
Huolto, varotoimenpiteet.....	203
Varastointi, varotoimenpiteet.....	203
Yleistä.....	204
Rakenne ja toiminta.....	204
Kallioporakoneen toimintaperiaate.....	204
Ohjausventtiilin mekanismi.....	204
Pyöritysmekanismi.....	204
Huuhtelu.....	204
Tärkeimmät osat.....	204
Tarrat.....	205
Tietolevy.....	205
Turvamerkintä.....	205
Asennus.....	205
Kallioporakoneen purkaminen pakkauksesta.....	205
Muovisuojukset.....	205
Kokoonpano.....	206
Voitelu.....	206
Letkut ja liitännät.....	206
Jäätymisen estämismenetelmiä.....	206
Vedenerottimen liittäminen.....	206
Voitelu.....	206
Paineensäätö.....	207
Ilmanpaine.....	207
Oikean ilmanpaineen kalibrointi.....	207
Poratanko.....	207
Ennen poratangon asennusta.....	207
Poratangon asentaminen.....	207
Poratangon irrottaminen.....	208
Käyttö.....	208
Toimenpiteet ennen aloitusta.....	209
Porauslaitteiden tarkistaminen.....	209
Ilmaletkun puhallus puhtaaksi.....	209
Öljyn lisääminen voiteluaineeseen.....	209
Hallintalaitteet.....	209
Käyttövipu.....	209
Käynnistys ja pysäytys.....	210
Kallioporausaloittaminen.....	210
Kallioporauslopettaminen.....	210
Työskentely.....	210
Poraus.....	210
Poistuessasi tauolle.....	210

Huolto	210
Alkuperäisten ja jäljennösosien ero	211
Päivittäin	211
Kuluneisuuden tarkistaminen	211
Määräaikaishuollot	211
Kivistysmomentti	212
Vauriot	212
Varastointi	212
Käytöstä poisto	212
Tekniset tiedot	213
Koneen tiedot	213
Melu- ja värinäarvoilmoitus	213
Melu- ja värinätiedot	214
Lisävarusteet	214
CE-vaatimustenmukaisuusvakuutus	215
CE-vaatimustenmukaisuusvakuutus (EY-direktiivi 2006/42/EY)	215

Johdanto

Kiitos kun valitsit Atlas Copcon tuotteen. Jo vuodesta 1873 lähtien olemme halunneet kehittää uusia ja parempia tapoja täyttää asiakkaittemme tarpeet. Vuosien mittaan olemme suunnitelleet uudentyyppisiä ja ergonomisia tuotteita, joiden avulla asiakkaamme ovat voineet tehostaa ja rationalisoida päivittäistä työtään.

Atlas Copcolla on tehokas, asiakaspalvelukeskuksista ja jälleenmyyjäliikkeistä koostuva maailmanlaajuinen myynti- ja huoltoverkosto. Erikoiskoulutuksen saaneet asiantuntijamme hallitsevat kaiken tuotteisiimme ja sovelluksiimme liittyvän tiedon. Voimme tarjota tuotetukea ja asiantuntijapalveluita kaikkialla maailmassa, ja siten asiakkaamme voivat olla varmoja, että he pystyvät työskentelemään kaikkina aikoina parhaalla mahdollisella tehokkuudella.

Lisätietoja on osoitteessa: www.atlascopco.com

Atlas Copco Construction Tools AB

105 23 Stockholm

Sweden

Tietoja turvallisuusohjeista ja käyttöohjeesta

Ohjeiden tarkoituksena on neuvoa käyttäjille kallioporakoneen tehokas ja turvallinen käyttötapa. Ohjeissa neuvotaan myös, miten tehdään kallioporakoneen säännönmukaiset kunnossapitotoimenpiteet.

Ennen kallioporakoneen käyttöönottoa sinun on perehdyttävä näihin ohjeisiin perusteellisesti.

Turvallisuusohjeet

Ennen kuin alat asentaa, käyttää, korjata tai huoltaa konetta tai vaihtaa sen lisävarusteita, perehdy turvallisuusohjeisiin ja käyttöohjeeseen.

Turvallisuusohjeita noudattamalla välttätään vakavilta vammautumisilta ja hengenvaaralta.

Toimita nämä turvallisuusohjeet ja käyttöohje työkohteisiin ja anna työntekijöille kopiot. Varmista, että kaikki konetta käsittelevät perehtyvät turvallisuusohjeisiin ja käyttöohjeeseen ennen koneen käyttöä tai huoltotöitä.

Lisäksi koneen käyttäjän tai hänen työnantajansa tulee arvioida koneen käytöstä johtuvat erityiset työturvallisuusriskit.

Turvasignaali-tekstit

Turvasignaali-tekstit Vaara, Varoitus ja Huomio tarkoittavat seuraavaa:

VAARA	Väli-tilan vaaratilanne, jonka laiminlyönti johtaa hengenvaaraan tai vakavaan vammautumiseen.
VAROITUS	Väli-tilan vaaratilanne, jonka laiminlyönti voi johtaa hengenvaaraan tai vakavaan vammautumiseen.
HUOMIO	Mahdollinen vaaratilanne, jonka laiminlyönti voi johtaa vähäiseen tai lievään vammaan.

Henkilökohtaiset varotoimenpiteet ja valmiudet

Vain ammattitaitoiset ja koulutetut henkilöt saavat käyttää tai huoltaa konetta. Heidän täytyy olla riittävän voimakkaita käsittelemään painavaa työkalua. Luota aina terveeseen järkeen ja älä tee mitään harkitsematonta.

Henkilökohtainen suojavarustus

Käytä aina hyväksytyjä suojavarusteita. Koneen käyttäjän ja muiden työalueella olevien henkilöiden on käytettävä henkilösuojaimia, vähintään:

- suojakypärää
- kuulonsuojaimia
- sivusuojilla varustettuja iskunkestäviä suojalaseja
- hengityssuojaimia tilanteen sitä edellyttäessä
- suojakäsineitä
- asianmukaisia turvasaappaita

- asianmukaisia työhaalareita tai vastaanvanlaisia vaatteita (ei löysiä), jotka peittävät käsivarret ja sääret.

Huumeet ja alkoholin tai lääkkeiden käyttö

▲ VAROITUS Huumeet ja alkoholin tai lääkkeiden käyttö

Huumeet, alkoholi tai lääkkeet voivat heikentää arvostelukykyäsi ja keskittymistäsi. Reagointikyvyn heikkeneminen ja väärät tilannearviot voivat johtaa vakavaan vammautumiseen tai hengenvaaraan.

- ▶ Älä käytä konetta, jos olet väsynyt tai huumeiden, alkoholin tahi lääkkeiden vaikutuksen alaisena.
- ▶ Huumeiden, alkoholin tai lääkkeiden vaikutuksen alaisena oleva henkilö ei saa käyttää konetta.

Asennus, varotoimenpiteet

▲ VAARA Ympäristöä piiskaava paineilmaletku

Irti päässyt paineilmaletku voi iskeytyä hallitsemattomasti ja aiheuttaa henkilövahingon tai hengenvaarallisia tilanteita. Vaaratilanteiden estämiseksi:

- ▶ Tarkista, että paineilmaletku ja sen liittimet ovat ehjät. Tarvittaessa vaihda osat uusiin.
- ▶ Tarkista, että paineilmaletkun kaikki liittimet ovat oikein paikallaan.
- ▶ Älä koskaan kanna paineilmakäyttöistä konetta sen ilmaletkun varassa.
- ▶ Älä koskaan yritä irrottaa paineistettuna olevaa ilmaletkua liitännästä. Katkaise ensin paineilman tulo kompressorista ja tyhjennä sitten kone paineilmasta painamalla liipaisinta.
- ▶ Älä koskaan osoita paineistetulla ilmaletkulla itseäsi tai ketään muuta. Loukkaantumisvaaran välttämiseksi älä koskaan yritä puhdistaa pölyä tai likaa vaatteistasi paineilmalla.
- ▶ Älä käytä työkalun kiinnitykseen pikaliittimiä. Käytä karkaistusta teräksestä (tai vastaavan iskunkestävyyden materiaalista) valmistettuja, paikalleen kierrettäviä letkunliittimiä.
- ▶ Käytettäessä yleismallisia, kierrettäviä liittimiä (kynsilittimiä) suosittellemme lukkotappien asentamista ja turvavaijereita, joilla estetään letkujen hallitsematonta piiskaamista, mikäli letkun ja työkalun liitäntä tai letkuliitin rikkoutuu.

▲ VAROITUS Voimakkaasti sinkoutuva työkalu

Jos koneen työkalun pidike ei ole lukittu asentoonsa, työkalu voi sinkoutua voimakkaasti ja aiheuttaa henkilövahinkoja.

- ▶ Älä koskaan käynnistä konetta työkalun vaihtamisen ollessa kesken.
- ▶ Ennen työkalun tai lisävarusteiden vaihtamista pysäytä kone, kytke tehonsyöttö pois päältä ja tyhjennä kone painamalla liipaisinta.
- ▶ Älä koskaan osoita työkalulla itseäsi tai ketään muuta.
- ▶ Varmista ennen koneen käynnistämistä, että työkalu on täydellisesti paikallaan ja työkalun pidike on lukitusasennossa.
- ▶ Tarkista lukitustoiminnon pitävyys vetämällä paikalleen työnnettyä työkalua voimakkaasti ulospäin.

▲ VAROITUS Liikkumaan pääsevä tai irtoava työkalu

Työkalun väärän mittaisen varren käyttö voi johtaa työkalun putoamiseen tai äkilliseen irtoamiseen. Vakavan henkilövahingon vaara tai käsien ja sormien puristumisvaara.

- ▶ Tarkista, että käytettävän työkalun varren pituus ja mitat vastaavat koneen käyttötarkoitusta.
- ▶ Älä käytä työkalua, jossa ei ole kauluskappaletta.

Käyttö, varotoimenpiteet**▲ VAARA Räjähdyksivaara**

Jos kuuma työkalu osuu räjähdysaineeseen, seurauksena voi olla räjähdys. Tietyn tyyppisten materiaalien työstö ja tietyt koneen osissa käytettävät materiaalit voivat johtaa kipinöintiin ja materiaalien syttymiseen. Räjähdykset johtavat vakavaan vammautumiseen tai hengenvaaraan.

- ▶ Älä koskaan käytä konetta räjähdysriskissä ympäristössä.
- ▶ Älä koskaan käytä konetta herkästi syttyvien materiaalien, höyryjen tai pölyn läheisyydessä.
- ▶ Varmista, että lähellä ei ole mitään piileviä kaasunpurkaus- tai räjähdysläheteitä.
- ▶ Älä koskaan poraa vanhaan reikään.

▲ VAROITUS Odottamattomat liikkeet

Työkaluun kohdistuu koneen käytön aikana ankaraa räsitusta. Tietyn käyttöajan jälkeen työkalu voi rikkoutua materiaalin väsymisen johdosta. Jos työkalu rikkoutuu tai juuttuu, kone saattaa liikkua äkillisesti tai odottamattomaan suuntaan. Lisäksi tasapainon menetys tai liukastuminen voi johtaa henkilövahinkoon.

- ▶ Varmista, että sinulla on aina tukeva jalansija. Pyri säilyttämään mahdollisimman hyvä ja vakaa tasapaino pitämällä jalat riittävän etäällä toisistaan.
- ▶ Tutki laitteisto joka kerta ennen sen käyttöä. Älä koskaan käytä laitteistoa, jos epäilet sen olevan vaurioitunut.
- ▶ Varmista, että kahvat ovat puhtaat. Pyyhi pois mahdollinen rasva tai öljy.
- ▶ Pidä jalat etäällä työkalusta.
- ▶ Seiso vakaasti ja pidä aina molemmin käsin koneesta kiinni.
- ▶ Älä koskaan poraa vanhaan reikään.
- ▶ Älä koskaan käynnistä konetta sen ollessa maassa pitkällään.
- ▶ Älä tukeudu koneeseen pitämällä jalkaa kahvan päällä.
- ▶ Älä koskaan lyö tai kolhi mitään laitteiston osaa tahallasi.
- ▶ Tarkasta työkalun kuluneisuus säännöllisesti. Tarkasta myös, onko siinä näkyviä murtumia tai muita vaurioita.
- ▶ Keskity työhön, jota teet.

▲ VAROITUS Pyörivän koneen vaara

Jos poranterä takertuu käytön aikana, koko kone alkaa pyöriä akselinsa ympäri, jos irrotat otteesi siitä. Tällainen odottamaton pyöräminen voi aiheuttaa vakavia vammoja tai hengenvaaran.

- ▶ Seiso vakaasti ja pidä aina molemmin käsin koneesta kiinni.
- ▶ Varmista, että kahvat ovat puhtaat ja niissä ei ole rasvaa tai öljyä.
- ▶ Älä koskaan poraa vanhaan reikään.

▲ VAROITUS Takertumisvaara

Kaulaliina, hiukset, hansikkaat ja vaatteet voivat tarttua pyörivään poranterään tai lisävarusteisiin. Tämä saattaa johtaa kuristumiseen, ihon vaurioitumiseen, haavoittumiseen tai hengenvaaraan. Vaaratilanteiden estämiseksi:

- ▶ Älä koskaan yritä tarttua pyörivään poranterään tai koskettaa sitä.
- ▶ Älä käytä vaatteita, kaulaliinoja tai hansikkaita, jotka voivat takertua koneeseen.
- ▶ Sido pitkät hiukset hiusverkolla.

▲ VAROITUS Pölystä ja savukaasuista aiheutuvat vaaratilanteet

Koneen käytöstä syntyvä pöly ja savukaasut voivat aiheuttaa vakavia ja pysyviä hengitysteiden sairauksia, ammattitauteja tai muita henkilövammoja (esimerkiksi keuhkofibroosin tai muun peruuttamattoman hengenvaarallisen keuhkosairauden, syöpää, vaurioita syntyville lapsille ja/tai ihotulehduksia).

Poraamisen, iskuvasaroinnin, sahauksen, hionnan ja muiden rakennustöiden aikana syntyvät tietyt pölyt, huuрут tai muut hengitysilmaan kulkeutuvat ainesosat saattavat sisältää kemikaaleja, jotka Kalifornian osavaltion tietojen mukaan aiheuttavat hengitysteiden sairauksia, syöpää sekä syntyville lapsille vaurioita tai muita ongelmia. Esimerkkejä tällaisista aineista ovat:

- Kiteinen kvartsi, sementti ja muut muuraustuotteet.
- Kemiallisesti käsitellystä kumista erittyvä arseeni ja kromi.
- Lyijypohjaisista maaleista erittyvä lyijy.

Ilmassa kulkeutuva pöly ja savukaasut voivat olla paljaalle silmälle näkymättömiä, joten silminnähdän ei voida aina päätellä, onko ilmassa pölyä ja savukaasuja.

Estä altistumista pölylle ja savukaasuille seuraavilla toimenpiteillä:

- ▶ Tee työmaakohtainen riskianalyysi. Riskianalyysissä tulee ottaa huomioon koneen käytöstä johtuvat pöly ja savukaasut ja lisäksi kohteessa jo olevan pölyn leviäminen työn vaikutuksesta.
- ▶ Työkohteessa on käytettävä asianmukaisia ilmanvaihtolaitteistoja, joilla vähennetään pölyn ja savukaasujen määrää ilmassa sekä pölyn kerääntymistä laitteiden, pintojen vaatteiden ja kehon osien päälle. Esimerkkejä puhdistuslaitteistoista ovat: alipaineiset ilmanvaihto- ja pölynkeruujärjestelmät, veden suihkuttaminen ja märkäpora. Estä pölyämistä ja savukaasujen syntymistä jo niiden lähteessä, mikäli mahdollista. Varmista, että puhdistuslaitteistot asennetaan ja huolletaan asianmukaisesti ja että niitä käytetään oikein.
- ▶ Käytä työsuojelu- ja turvamääräysten mukaisia hengityssuojaimia työnantajan ohjeistamalla tavalla. Hengityssuojainten on sovelluttava käsiteltävien materiaalien aiheuttamien haittojen ehkäisyyn (ja tietyissä tapauksissa niille tulee olla vastaavan hallintoviranomaisen hyväksyntä).
- ▶ Varmista työalueen ilmanvaihdon riittävyys.
- ▶ Jos kone tuottaa pakokaasuja, suuntaa ne pois siten, että ne eivät aiheuta pölyämishaittojen lisääntymistä työympäristössä.

- ▶ Käytä ja huolla konetta tässä käyttöohjeessa ja turvallisuusohjeissa kuvatulla tavalla.
- ▶ Käytä oikean tyyppisiä työkaluja ja kulutusosia ja huolla niitä tässä käyttöohjeessa kuvatulla tavalla. Väärän tyyppisten työkalujen ja kulutusosien käyttö tai niiden virheellisesti tehdyt huollot ja väärä käyttötapa voivat johtaa pölyn ja savukaasujen tarpeettomaan lisääntymiseen.
- ▶ Käytä pestäviä tai kertakäyttöisiä suojavaatteita ollessasi työmaalla. Käy suihkussa ja vaihda puhtaat vaatteet ennen kuin lähdet työpaikalta, jotta sinä, muut ihmiset, autot, asunnot ja muut paikat eivät pääse altistumaan pölylle ja savukaasuille.
- ▶ Vältä syömistä, juomista tai tupakointia alueilla, joissa ilmassa on pölyä ja savukaasuja.
- ▶ Pese kätesi ja kasvosi huolellisesti heti altistumista aiheuttavalta työskentelyalueelta poistumisen jälkeen ja aina ennen kuin syöt, juot tai tupakoit tai olet yhteydessä muihin henkilöihin.
- ▶ Noudata kaikkia voimassa olevia lakeja ja määräyksiä, myös työpaikkakohtaisia työsuojelu- ja turvamääräyksiä.
- ▶ Osallistu työnantajan tai ammattijärjestöjen järjestämiin ja työsuojelulainsäädännön edellyttämiin ja suositeltuihin terveystarkastuksiin sekä ilmanseuranta- ja koulutusohjelmiin. Kysy tarvittaessa lisäohjeita työterveyslääkäriltä.
- ▶ Toimi yhteistyössä työnantajasi ja ammattijärjestön kanssa, jotta pölylle ja savukaasuille altistuminen voidaan välttää työmaalla parhaalla mahdollisella tavalla. Työmaalle on laadittava työterveys- ja työsuojelualan asiantuntijoiden ohjeiden perusteella asianmukaiset työterveys- ja työturvallisuusohjelmat sekä menettelytapaohjeet, joilla voidaan suojata työntekijät ja muut alueella oleskelevat altistumiselta pölylle ja savukaasuille. Lisätietoja saat alan asiantuntijoilta.

▲ VAROITUS Sinkoutuvat esineet

Työstökappaleen, lisävarusteiden tai koneen vaurioitumisen johdosta ympäristöön voi levitä kovalla nopeudella sinkoutuvia esineitä. Töiden yhteydessä irtoavat kivensirut ja muut materiaalit voivat sinkoutua ympäristöön ja aiheuttaa osuessaan henkilövammoja käyttäjälle tai muille henkilöille. Vaaratilanteiden estämiseksi:

- ▶ Käytä työssä aina hyväksytyjä henkilösuojaimia ja suojakypärää, mukaan lukien sivusuojilla varustettuja, iskunkestäviä suojalaseja.
- ▶ Varmista, että sivulliset eivät pääse työalueelle.
- ▶ Pidä työskentelyalue vapaana vieraista esineistä.
- ▶ Varmista, että työstökappale on turvallisesti kiinnitetty paikalleen.

▲ VAROITUS Sirpalevaarat

Jos työkalua käytetään käsin tehtävään iskentään, kohteesta saattaa singota henkilövammoja aiheuttavia sirpaleita.

- ▶ Älä koskaan käytä työkalua lyömäesineenä. Ne on suunniteltu ja lämpökäsitelty yksinomaan konekäyttöön.

▲ VAROITUS Liukastumis-, kompastumis- ja kaatumisvaarat

Työmaalla on esimerkiksi letkujen tai muiden esteiden johdosta liukastumis-, kompastumis- ja kaatumisvaara. Liukastuminen, kompastuminen tai kaatuminen voi aiheuttaa henkilövahinkoja. Vaaratilanteiden estämiseksi:

- ▶ Varmista, että omalla tai muiden henkilöiden reiteillä ei ole letkuja tai muita esteitä.
- ▶ Varmista, että sinulla on aina tukeva jalansija. Pyri säilyttämään mahdollisimman hyvä ja vakaa tasapaino pitämällä jalat riittävän etäällä toisistaan.

▲ VAROITUS Äkillisten liikkeiden aiheuttamat vaaratilanteet

Käyttäessäsi konetta työssä saatat tuntea epämukavaa tunnetta kämmenissä, käsivarsissa, olkapäissä, niskassa tai kehon muissa osissa.

- ▶ Ota aina mukavalta tuntuva, tukeva ja vakaa työasento.
- ▶ Jos työ kestää pitkään, vaihda ajoittain asentoa välttääksesi epämukavan tunteen ja väsymisen.
- ▶ Jos koet jatkuvia tai toistuvia rasituksesta johtuvia oireita, käänny työterveyslääkärin puoleen.

▲ VAROITUS Tärinävaarat

Koneen normaali ja oikea käyttötapa altistaa käyttäjän tärinöille. Säännöllinen ja toistuva altistuminen tärinöille voi aiheuttaa, myötävaikuttaa tai pahentaa vammoja tai terveydentilaan liittyviä ongelmia, joita käyttäjän sormille, käsille, ranteille, käsivarsille, olkapäille ja/tai hermosto- ja verenkiertojärjestelmälle tai muille kehon osille aiheutuu. Tällaisia ovat myös lihasten ja raajojen yleinen rappeutuminen ja/tai pysyvät vammat tai terveydentilaan liittyvät ongelmat, jotka saattavat kehittyä vähitellen viikkojen, kuukausien tai vuosien kuluessa. Näihin vammoihin tai terveydellisiin ongelmiin voi sisältyä verenkiertojärjestelmän vaurioituminen, hermojärjestelmän vaurioituminen, nivelten vaurioituminen ja mahdolliset vauriot muille kehon osille ja rakenteille.

Jos havaitset toistuvaa epämukavuuden tunnetta, puutumista, kuumotusta, kihelmöintiä, kipua, kankeutta, otteen heikentymistä, ihon vaalenemista tai tuntoherkkyyden alenemista käyttäessäsi konetta ja myös silloin, kun et käytä konetta, keskeytä työnteko, ilmoita asiasta työnantajalle ja käänny lääkärin puoleen. Koneen käytön jatkaminen mainittujen oireiden ilmenemisen jälkeen voi johtaa oireiden kehittymiseen vakaviksi ja/tai pysyviksi.

Käyttämällä ja huoltamalla konetta tässä käyttöohjeessa kuvatulla tavalla voidaan estää tarpeettomasti kohoavat tärinätasot.

Koneen käyttäjän altistumista tärinöille voi lieventää seuraavilla toimenpiteillä:

- ▶ Anna koneen tehdä työ. Pidä kahvasta kiinni mahdollisimman höllästi varmistaen kuitenkin, että säilytät koneen hallinnan ja että sen käyttö on koko ajan turvallista.
- ▶ Jos kone on varustettu tärinänvaimennuskahvoilla, pidä ne keskiasennossa ja vältä kahvojen puristamista ääriasetoihin saakka.
- ▶ Kun iskumeکانismi aktivoituu, pidä kiinni koneen kahvasta tai kahvoista vain käsilläsi. Älä kosketa koneeseen muulla kehollasi. Älä esimerkiksi tue konetta kehollasi ja älä yritä lisätä syöttövoimaa nojaamalla kehollasi konetta vasten. Älä koskaan pidä liipaisinta suotta painettuna vetäessäsi konetta irti rikutusta pinnasta.
- ▶ Varmista, että koneessa oleva työkalu on aina hyvin huollettu (myös terävä, jos kyseessä on leikkausterä), se ei ole kulunut ja on oikean kokoinen. Työn tekeminen kestää kauemmin (ja samalla altistuminen tärinälle kestää kauemmin) huonosti huolletuilla, kuluneilla tai väärän kokoisilla työkaluilla, jolloin käyttäjä altistuu voimakkaammalle tärinälle tarpeettomasti.

- ▶ Jos kone alkaa yhtäkkiä tärinästä voimakkaasti, lopeta sen käyttäminen välittömästi. Ennen työn jatkamista selvitä ja korjaa lisääntyneiden tärinöiden syy.
- ▶ Älä koskaan tartu työkalusta äläkä kosketa sitä käyttäessäsi konetta.
- ▶ Osallistu työnantajan järjestämiin ja lainsäädännön edellyttämiin terveystarkastuksiin ja koulutusohjelmiin.
- ▶ Työskennellessäsi kylmissä olosuhteissa pidä lämpimiä vaatteita ja pidä kädet lämpiminä ja kuivina.

Lue myös kohdan ”Melu- ja tärinäarvoilmoitus” tiedot ja niissä ilmoitetut tärinäarvot. Nämä tiedot löytyvät tämän turvallisuus- ja käyttöohjeen lopusta.

- ◆ Käytä konetta vain suositellulla paineilmasyötön voimakkuudella. Liian suuri tai normaalia pienempi paineilma voi johtaa tärinöiden lisääntymiseen.

▲ VAARA Sähkövirran aiheuttamat vaaratilanteet

Konetta ei ole eristetty sähköiskuja vastaan. Koneeseen kohdistuva sähkövirta saattaa johtaa vakavaan vammautumiseen tai hengenvaaraan.

- ▶ Älä koskaan käytä konetta sähköjohtojen tai muiden sähkölaitteiden lähellä.
- ▶ Varmista, että työskentelyalueella ei ole piileviä johtoja tai muita sähkölaitteita.

▲ VAROITUS Piilossa olevien esineiden aiheuttamat vaaratilanteet

Piilevät johdot tai putket aiheuttavat töiden yhteydessä vaaratilanteita, jotka voivat johtaa vakavaan vammautumiseen.

- ▶ Tarkista työstettävän materiaalin koostumus ennen töiden aloittamista.
- ▶ Pyri havaitsemaan mahdolliset piilevät sähköjohdot, vesi-, viemäri- ja kaasuputket sekä puhelinjohdot.
- ▶ Jos työkalu näyttää osuneen rakenteessa olevaan piilevään kohteeseen, sammuta kone välittömästi.
- ▶ Varmista ennen työn jatkamista, että vaaraa ei ole.

▲ VAROITUS Tahaton käynnistäminen

Koneen tahaton käynnistäminen saattaa aiheuttaa henkilövahingon.

- ▶ Koske liipaisimeen vasta käynnistäessäsi konetta.
- ▶ Opettele koneen sammuttaminen hätätilanteessa.
- ▶ Vapauta liipaisin välittömästi, jos koneen voimanlähteen käyttö estyy.

- ▶ Ennen työkalun asennusta tai irrotusta katkaise paineilmansyöttö, tyhjennä kone paineilmasta painamalla liipaisinta ja irrota kone tehonlähteestä.

▲ VAROITUS Meluvaarat

Korkeat melutasot voivat aiheuttaa pysyvien kuulovammojen ohella muita kuulo-ongelmia, esimerkiksi korvien tinnitusta (soimista, surinaa tai viheltävää tai humisevaa ääntä). Vaaratilanteiden ilmeneminen ja tarpeettomasti kohoavat melutasot voidaan estää:

- ▶ Suorittamalla näihin vaaratilanteisiin liittyvät riskianalyysit ja toteuttamalla niiden edellyttämät työsuojelutoimenpiteet.
- ▶ Käyttämällä ja huoltamalla konetta tässä käyttöohjeessa kuvatulla tavalla.
- ▶ Valitsemalla työkalun ja käyttämällä ja huoltamalla sitä tässä käyttöohjeessa kuvatulla tavalla.
- ▶ Jos koneessa on äänenvaimennin, tarkistamalla sen paikallaan olo ja käyttökuntoisuus.
- ▶ Käyttämällä aina kuulosuojainta.
- ▶ Käyttämällä vaimennusmateriaaleja, jotka estävät töstökappaleiden tuottamat voimakkaat ja kuuluvat äänet.

Huolto, varotoimenpiteet

▲ VAROITUS Koneen muutostyöt

Jos koneeseen tehdään muutostöitä, seurauksena saattaa olla vakavia vammoja sekä itsellesi että muille.

- ▶ Älä koskaan tee koneeseen muutostöitä. Koneet, joihin on tehty muutostöitä, eivät kuulu takuun tai tuotevastuun piiriin.
- ▶ Käytä aina alkuperäisvaraosia, työkaluja ja Atlas Copcon hyväksymiä lisävarusteita.
- ▶ Uusi vaurioituneet osat viipymättä.
- ▶ Uusi kuluneet koneenosat hyvissä ajoin.

▲ HUOMIO Kuuma työkalu

Työkalun kärki voi käytön aikana kuumentua ja tulla teräväksi. Sen koskettaminen voi aiheuttaa palovammoja ja haavoja.

- ▶ Älä koskaan kosketa kuumaa tai terävää työkalua.
- ▶ Ennen huoltotöiden aloittamista odota, kunnes työkalu on jäähtynyt.

▲ VAROITUS Työkalun aiheuttamat vaaratilanteet

Huoltotyön tai asennuksen aikana liipaisimen varomaton käsittely voi johtaa vakaviin henkilövahinkoihin koneen tehonlähteen kytkeytyessä päälle.

- ▶ Älä koskaan tarkasta, puhdistaa, asenna tai irrota työkalua, jos tehon lähde on kytkettynä koneeseen.

Varastointi, varotoimenpiteet

- ◆ Säilytä kone ja työkalut turvallisessa ja lukitussa paikassa poissa lasten ulottuvilta.

Yleistä

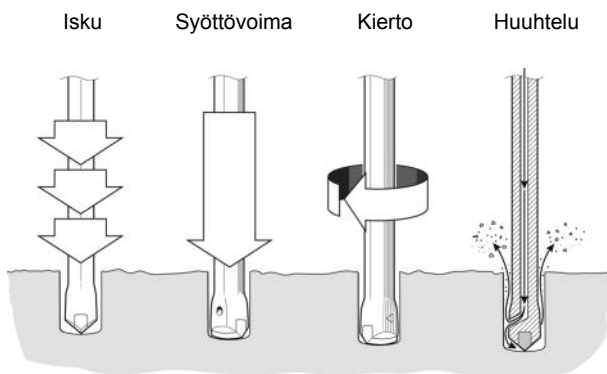
Ennen kuin alat käyttää konetta, perehdy oppaan edellisillä sivuilla olevaan, turvallisuusohjeita käsittelevään kohtaan. Turvallisuusohjeita noudattamalla vältetään vakavilta vammautumisilta ja hengenvaaralta.

Rakenne ja toiminta

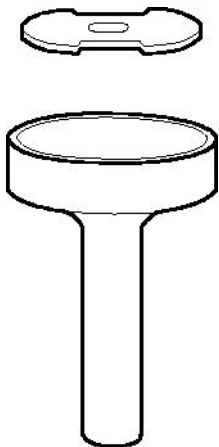
RH 571, RH 572 ja RH 658 ovat paineilmakäyttöisiä kallioporakoneita, jotka on tarkoitettu pystysuuntaiseen poraukseen, reikäporaukseen sekä betonin poraukseen rakennus- kaivosteollisuudessa. Muunlainen käyttö ei ole sallittua.

Lähin Atlas Copcon jälleenmyyjä auttaa oikean työkalun valinnassa.

Kallioporakoneen toimintaperiaate

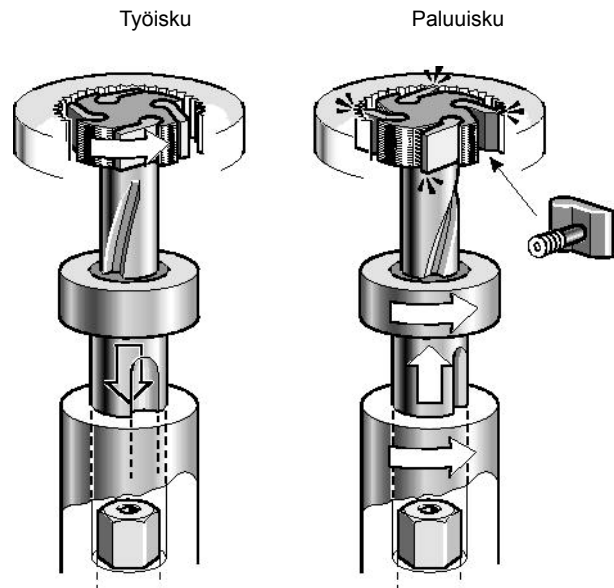


Ohjausventtiilin mekanismi



Venttiili ohjaa ilmavirran vuorotellen männän kummaltakin puolelta, jolloin mäntä liikkuu edestakaisin. Mäntä johtaa liike-energian poratangon välityksellä aukon pohjalle.

Pyöritysmekanismi

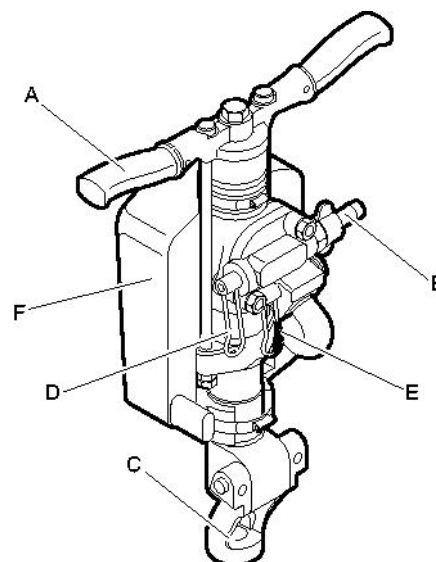


Rihlatun tangon jokainen kiertoliike kiertää vastaavasti hieman poratanko. Kiertoliike tapahtuu vastapäivään ja se kohdistuu tankoon männän paluuiskulla.

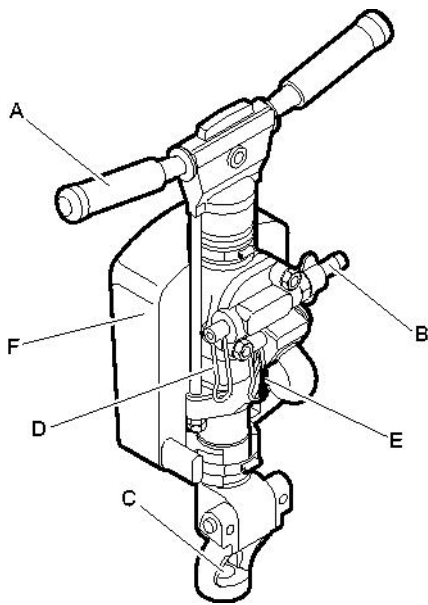
Huuhtelu

Männässä on reikä huuhtelukanavalle. Tämä tarkoittaa sitä, että huuhteluilmaa tulee heti kun paineilma on kytketty päälle.

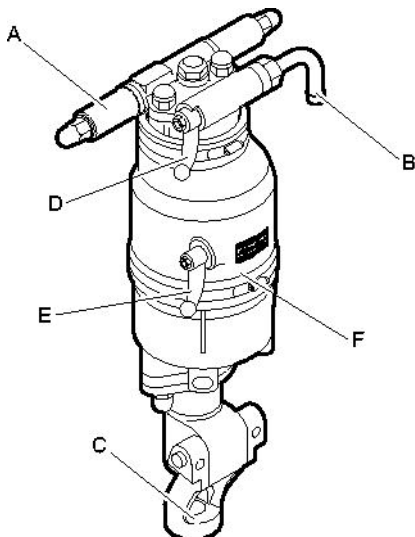
Tärkeimmät osat



RH 571-5L/LS



RH 572E



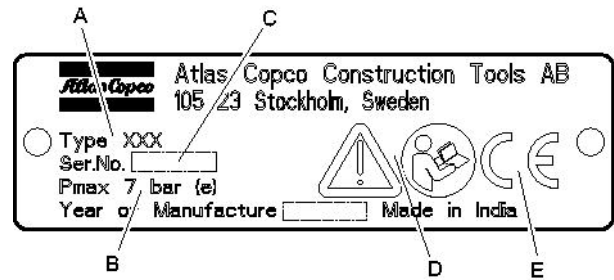
RH 658L/LS

- A. Kahva
- B. Imuilman kara
- C. Poratangon pidike
- D. Käyttövipu
- E. Lisäpuhaltimen vipu
- F. Äänenvaimennin (lisävaruste)

Tarrat

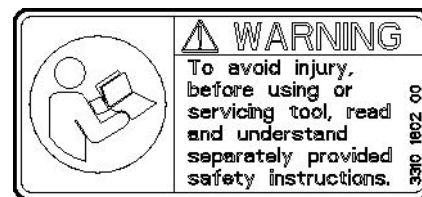
Tässä koneessa on käyttöturvallisuuden kannalta tärkeät turva- ja huoltokilvet. Kilvet on pidettävä sellaisessa kunnossa, että ne on helppo lukea. Uusia kilpiä voi tilata varaosaluettelon avulla.

Tietolevy



- A. Konetyyppi
- B. Suurin sallittu paineilman paine
- C. Sarjanumero
- D. Varoitussymboli ja kirjasyntä tarkoittavat, että käyttäjän on perehdyttävä turvallisuusohjeisiin ja käyttöohjeeseen ennen koneen ensimmäistä käyttökertaa.
- E. CE-merkki tarkoittaa, että kone on saanut EY-hyväksynnän. Lisätietoja on koneen mukana toimitettavassa EY-vaatimustenmukaisuusvakuutuksessa. Jos CE-merkki puuttuu, se tarkoittaa, että kone ei ole saanut EY-hyväksyntää.

Turvamerkintä



Vammojen välttämiseksi perehdy erillisiin turvaohjeisiin ennen kuin alat käyttää tai huoltaa konetta.

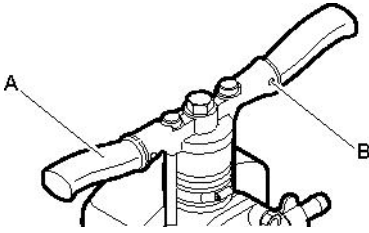
Asennus

Kallioporakoneen purkamisen pakkauksesta

Muovisuojukset

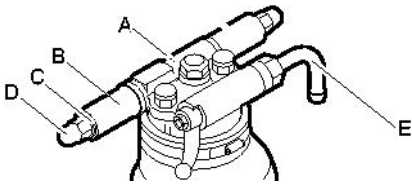
Ennen kallioporan käyttöönottoa poista kaikki muovisuojukset letkukaroista, venttiilinreistä ja pyörivistä kiinnitysosista.

Kokoonpano



RH 571-5L/LS

- 1) Paina holkit ja kahvat (A) takapäin molemmille puolille.
- 2) Kiinnitä kahvat paikalleen naputtamalla jousitapit (B) takapäähän.



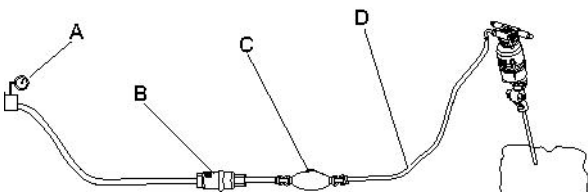
RH 658L/LS

- 1) Aseta kahvan pultti (A) takapäin sisään.
- 2) Aseta kädensijat (B) kahvan pultin molemmille puolille.
- 3) Tue kädensijat molemmilta puolilta paikalleen aluslevyllä (C) ja kupumutterilla (D).
- 4) Kierrä letkukara (E) tiukasti ilman tuloaukkoon.

Voitelu

Kun olet purkanut työkalun pakkauksesta ja asentanut sen, kaada ilmaletkun liittimeen jonkin verran voiteluöljyä.

Letkut ja liittännät



- A. Paineilmalähde
- B. Vedenerotin (lisävaruste)
- C. Voitelulaite (lisävaruste)
- D. Enintään 3 metriä voitelulaitteen ja koneen välistä paineilmaletkua.

- ◆ Tarkista, että käytössä on valmistajan suosittelema käyttöpaine, 6 baaria (e).
- ◆ Koneen suurinta sallittua ilmanpainetta, 7 baaria (e), ei saa ylittää.
- ◆ Puhalla mahdolliset epäpuhtaudet paineilmaletkusta, ennen kuin liität sen koneeseen.
- ◆ Valitse oikeanmittainen ja -pituisen paineilmaletku. Jos tarvittava letku on enintään 30 metrin pituinen, on käytettävä letkua, jonka sisähalkaisija on vähintään 19 mm (3/4"). Jos letkun pituus on 30–100 metriä, on käytettävä letkua, jonka sisähalkaisija on vähintään 25 mm (1").

Jäätymisen estämismenetelmiä

Äänenvaimentimeen saattaa muodostua jäätä, kun ympäristön lämpötila on 0-10 °C (32-50 °F) ja suhteellinen kosteus on korkea.

Kone on suunniteltu siten, että jäätä ei juuri muodostu. Tästä huolimatta voi äärimmäisissä olosuhteissa jäätä muodostua.

Jään muodostumista voit estää seuraavalla tavalla:

- ◆ Käytä voiteluaineena Atlas Copcon Rock Drill AIR-OIL -öljyä.
- ◆ Käytä VAM 5A -vedenerotinta.

Jos kallioporakone pääsee jäätymään, älä koskaan yritä sulattaa jäätä kuumentamalla poraa. Anna jään aina sulaa huoneen lämpötilassa.

Älä koskaan käytä kallioporakoneessa denaturoitua spritiä tai vastaavia aineita, koska ne haittaavat voitelua ja johtavat lisääntyneeseen kulumiseen.

Vedenerottimen liittäminen

Käytä kompressorin ja vedenerottimen välillä riittävän pitkää letkua, jotta vesihöyry ennättää jäähtyä ja tiivistyä letkussa ennen tuloaan vedenerottimeen.

Jos ympäristön lämpötila on alle 0 °C (32 °F), letkun on oltava riittävän lyhyt, jotta vesi ei ehdi jäähtyä letkussa ennen tuloaan vedenerottimeen.

Voitelu

Kallioporakoneen voitelu tapahtuu paineilman ja öljyn sekoituksella, joka kulkeutuu jatkuvaa voitelua tarvitseviin osiin. Öljy annostellaan paineilmaan ilmaletkuun yhdistetyllä Atlas Copco CLG 30 -voitelulaitteella.

Käytä Atlas Copcon Rock Drill AIR-OIL -öljyä, joka on suunniteltu erityisesti BBC-, BBD- ja RH-tyyppin paineilmakäyttöisille kallioporakoneille. Rock Drill AIR-OIL -öljy on OECD 301 -luokituksen mukaisesti helposti biohajoavaa ja sen tuottama kalvo kestää korkeita kuormituksia. Jos Rock Drill AIR-OIL -öljyä ei ole saatavana, käytä mineraaliöljyä, joka vastaa ominaisuuksiltaan seuraavassa taulukossa olevia öljyalaatuseksitoituksia.

Lämpötila-alue (°C)	Viskositeettiaste (ISO 3448)
-30 – 0	ISO VG 32-68
-10 – +20	ISO VG 68-100
+10 – +50	ISO VG 100-150

Paineensäätö

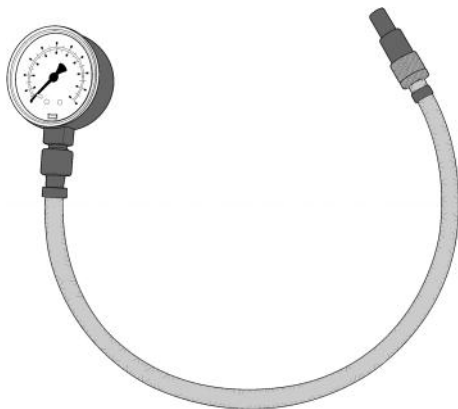
Ilmanpaine

Varmista, että kompressori pystyy toimittamaan työkaluun tarvittavan 4–6 baarin ilmanpaineen.

1. Korkea paine aiheuttaa epätasaista käyntiä ja liiallista kulumista.
2. Matala paine hidastaa porausta.

Oikean ilmanpaineen kalibrointi

Tarkista ilmanpaine Atlas Copco (9090 0550 80) -painemittarilla kallioporakoneen ollessa käynnissä. Tarkista ilmanpaine läheltä imuilman karaa. Suurin sallittu työpaine on 6 baaria.



Painemittari on varustettu neulalla, joka painetaan letkuun. Näin voidaan mitata sisällä oleva paine.

Poratanko

▲ VAROITUS Voimakkaasti sinkoutuva työkalu

Jos koneen työkalun pidike ei ole lukittu asentoonsa, työkalu voi sinkoutua voimakkaasti ja aiheuttaa henkilövahinkoja.

- Ennen työkalun vaihtamista pysäytä kone, kytke paineilmansyöttö pois päältä ja tyhjennä kone paineilmasta painamalla käyttökytkintä.

Ennen poratankon asennusta

Tarkista, että työkalun varsi on kiinnitysosaan nähden oikean kokoinen ja pituinen. Varren on oltava puhdas, ja työkalun on oltava hyvässä kunnossa. Lohjenneet, pyöristyneet, epätasaiset tai iskupäästään liian kovat varret toimivat tehottomasti ja voivat johtaa männän ennenaikaiseen vaurioitumiseen.

Tarkista poratanko:

tylsynyt poratanko hidastaa porausta ja rasittaa ylenmääräisesti porausmekanismia. Vaihtaessasi poratankoa varmista, että uusi tanko on oikean kokoinen, niin että se sopii edellisiin reikiin.

Ennen poraamisen aloittamista tarkasta, että poranterän tuuletusaukko ei ole tukossa.

▲ HUOMIO Kuuma työkalu

Työkalun kärki voi käytön aikana kuumentua ja tulla teräväksi. Sen koskettaminen voi aiheuttaa palovammoja ja haavoja.

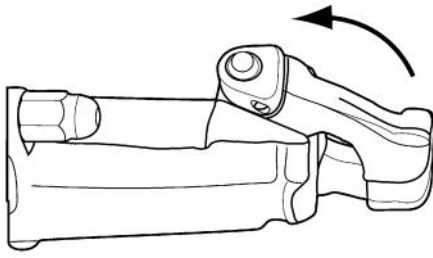
- Älä koskaan kosketa kuumaa tai terävää työkalua.
- Ennen huoltotöiden aloittamista odota, kunnes työkalu on jäähtynyt.

HUOMAUTUS Älä koskaan jäähdytä kuumaa työkalua vedessä, koska se voi haurastuttaa terää materiaalia ja johtaa normaalia nopeampaan kulumiseen.

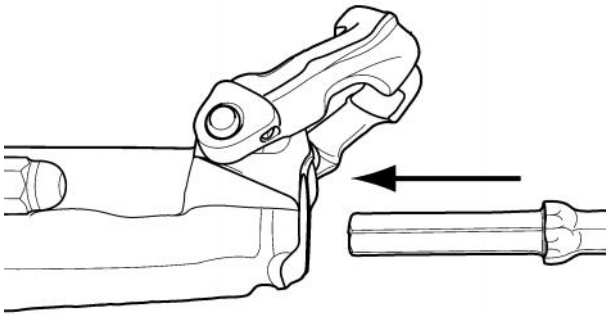
Poratankon asentaminen

Poratankoa asennettaessa on noudatettava seuraavia ohjeita:

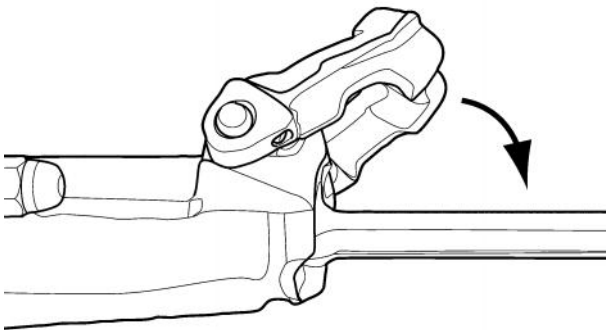
1. Työnnä pidikettä nuolen suuntaan ulospäin, kunnes sen etuosa sopii poratangon kaulukseen.



2. Aseta poratanko kiinnitysosaan.



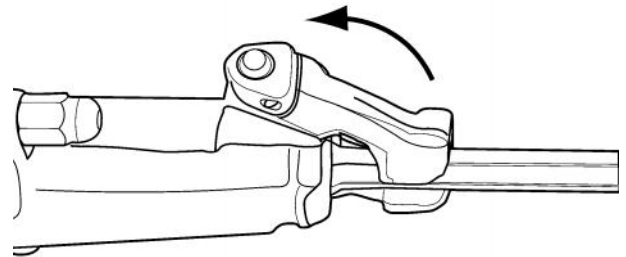
3. Kun pora on pohjassa, työnnä pidikettä taaksepäin, jolloin se lukkiutuu.



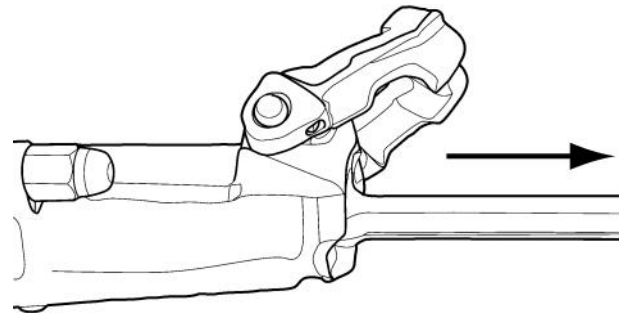
Poratangon irrottaminen

Poratankoa irrotettaessa on noudatettava seuraavia ohjeita:

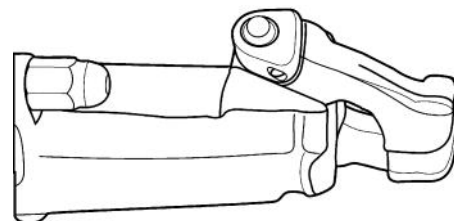
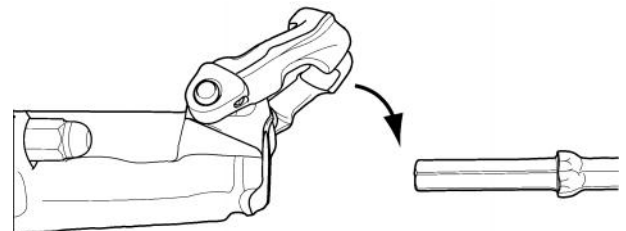
1. Työnnä pidikettä nuolen suuntaan ulospäin, kunnes sen etuosa irtoaa poratangon kauluksesta.



2. Irrota poratanko.



3. Työnnä pidikettä taaksepäin.



Käyttö

▲ VAROITUS Tahaton käynnistäminen

Koneen tahaton käynnistäminen saattaa aiheuttaa henkilövahingon.

- ▶ Koske liipaisimeen vasta käynnistäessäsi konetta.
- ▶ Opettele koneen sammuttaminen hätätilanteessa.
- ▶ Pysäytä kone välittömästi, jos koneen voimanlähteen käyttö estyy.

Toimenpiteet ennen aloitusta

Porauslaitteiden tarkistaminen

- ◆ Tarkista, että kaikki porauslaitteet ovat moitteettomassa kunnossa.
- ◆ Tarkista, että poratangon varren iskupää on tasainen eikä siinä ole kulumia.
- ◆ Varmista, että ilman tuloaukot ja poistoaukot ovat vapaat.
- ◆ Tarkista, että poratangon huuhteluaukot ja porakruunu ovat vapaat ja että huuhteluilma ja -vesi pääsevät virtaamaan vapaasti.
- ◆ Varmista, että (imuilman karassa oleva) ilmansuodatin on puhdas, ehjä ja että siinä ei ole vääntymiä.
- ◆ Varmista, että liittännät ovat tiiviitä ja että ne eivät vuoda.

▲ VAARA Ympäristöä piiskaava paineilmaletku
Irti päässyt paineilmaletku voi iskeytyä hallitsemattomasti ja aiheuttaa henkilövahingon tai hengenvaarallisia tilanteita.

- ▶ Tarkista, että paineilmaletku ja sen liittimet ovat ehjät.
- ▶ Tarkista, että paineilmaletkun kaikki liittimet ovat oikein paikallaan.

Ilmaletkun puhallus puhtaaksi

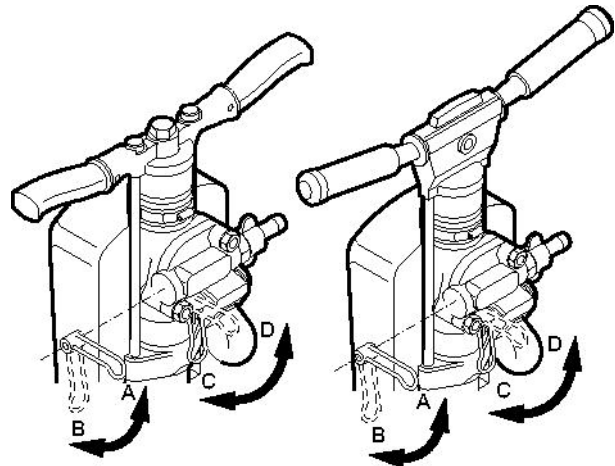
- ◆ Puhalla joka päivä ennen käytön aloittamista ilmaletku puhtaaksi siihen kerääntyneestä liasta ja kosteudesta.

Öljyn lisääminen voiteluaineeseen

- ◆ Tarkista, että kiinnitysosa ja poratangon varsi ovat öljykalvon peitossa.

Hallintalaitteet

Käyttövipu

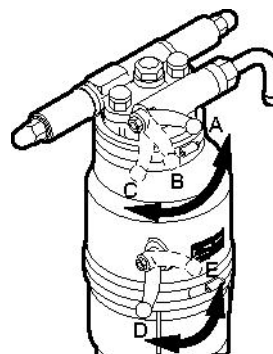


RH 571-5L/LS

RH 572E

Kallioporakoneessa on käyttövipu, jolla säädetään paineilmavirtausta iskumekanismiin ja lisäksi puhaltimen vipu ylimääräistä puhdistuspuhallusta varten.

- A. Kaasuläppä suljettuna (pysäytysasento)
- B. Käyttövipu täysin auki
- C. Puhaltimen venttiili suljettuna (pysäytysasento)
- D. Puhaltimen venttiili täysin auki



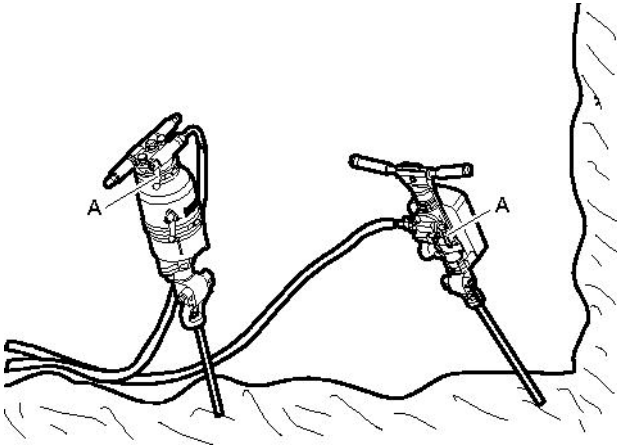
RH 658L/LS

Kallioporakoneessa on käyttövipu, jolla säädetään paineilmavirtausta iskumekanismiin ja lisäksi puhaltimen vipu ylimääräistä puhdistuspuhallusta varten.

- A. Kaasuläppä suljettuna (pysäytysasento)
- B. Käyttövipu puoliksi auki
- C. Käyttövipu täysin auki
- D. Puhaltimen venttiili suljettuna (pysäytysasento)
- E. Puhaltimen venttiili täysin auki

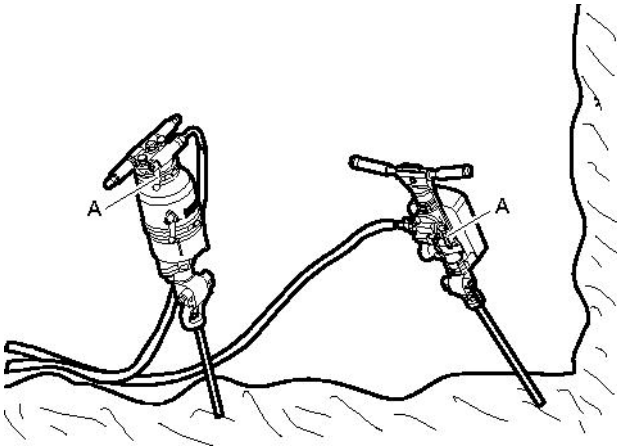
Käynnistys ja pysäytys

Kallioporausken aloittaminen



1. Avaa paineilman pääventtiili.
2. Kohdista kallioporakone siten, että poratanko koskee haluttua porauspistettä.
3. Siirrä käyttövipua (A) hieman eteenpäin, mikä käynnistää isku- ja kiertotoiminnon.
4. Aloita reiän poraus tavallista pienemmällä voimalla.
5. Kun poratanko pysyy kalliioon syntyneessä reiässä, siirrä käyttövipu (A) eteen ääriasentoon.

Kallioporausken lopettaminen



1. Vedä käyttövipu (A) taaksepäin kiinni-asentoon, mikä pysäyttää isku- ja kiertotoiminnon.

Työskentely

Poraus

- ◆ Käytä turvajalkineita, suojakäsineitä, kypärää, kuulonsuojaimia ja sivusuojilla varustettuja iskunkestäviä suojalaseja.
- ◆ Seiso vakaasti ja pidä aina molemmin käsin koneesta kiinni.
- ◆ Paina konetta tukevasti työkohdetta vasten, ennen kuin käynnistät koneen.

Poistuessasi tauolle

- ◆ Taukojen ajaksi kone on asetettava syrjään siten, että sitä ei voida käynnistää tahattomasti. Varmista, että kone on tasaisella alustalla, jotta se ei pääse kaatumaan.
- ◆ Poistuessasi pidemmälle tauolle tai lähtiessäsi työpaikalta: katkaise ensin tehonsyöttö ja tyhjennä sitten kone painamalla liipaisinta.

Huolto

Säännöllinen kunnossapito on koneen turvallisen ja tehokkaan käytön perusedellytys. Noudata huolto-ohjeita tarkkaan.

- ◆ Ennen koneen huoltotöiden aloittamista puhdista se, jotta et altistu vaarallisille aineille. Katso kohta ”Pölystä ja savukaasuista aiheutuvat vaaratilanteet”
- ◆ Käytä ainoastaan hyväksytyjä varaosia. Muiden osien käytön aiheuttamat vahingot tai viat eivät kuulu takuun tai tuotevastuun piiriin.
- ◆ Puhdistaessasi mekaanisia osia liuottimella varmista, että työ tehdään voimassa olevien työsuojelemääräysten mukaisesti, ja huolehdi riittävästä tuuletuksesta.
- ◆ Jos koneelle on tehtävä suuria huoltotöitä, ota yhteyttä lähimpään valtuutettuun huoltokorjaamoon.
- ◆ Tarkista kunkin huollon jälkeen, että koneen tärinätaaso on normaali. Ellei näin ole, ota yhteyttä lähimpään valtuutettuun huoltokorjaamoon.

Alkuperäisten ja jäljennösosien ero

Ostaessasi varaosia varmista ensin, että kyseessä on Atlas Copcon varaosa. Useimmat osat pystyt tunnistamaan.



Kallioporakoneen osiin on yleensä merkitty osanumero ja Atlas Copcon yritysmerkki eli ympyrä, jonka sisällä on kallioporakoneen kuva. Joissakin tapauksissa osaan on merkitty joko pelkkä ympyrä tai pelkkä osanumero.

Kumi- ja muoviosissa ei yleensä ole merkintöjä.

Osiamme kopioivat kilpailijamme merkitsevät usein isot, kalliit osat. Joissakin osissa on pelkkä osanumero, mutta joissakin on myös yritysmerkki valmistajan nimen alkukirjaimien muodossa. Jäljennösosien osanumerot on yleensä leimattu käsin, mikä aiheuttaa epätasaisuutta. Atlas Copcon leimaamat osanumerot ovat säännöllisiä, ja yksittäiset merkit ovat samankokoisia. Lisäksi jokaisen ryhmän yksittäisten merkkien syvyys ja niiden väli ovat samat.

Päivittäin

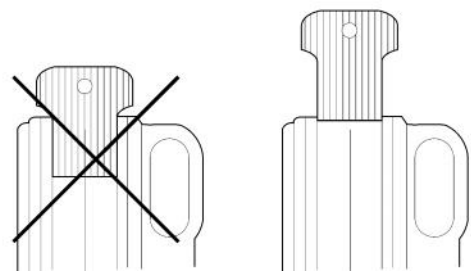
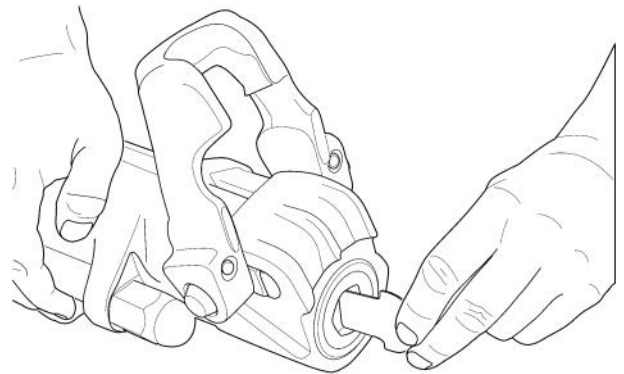
Ennen paineilmakoneiden huoltotöiden aloittamista tai työkalun vaihtamista paineilman tulo on katkaistava ja kone on tyhjennettävä paineilmaasta painamalla käynnistys- ja pysäytyslaitteen käyttökytkintä. Irrota sen jälkeen ilmaletku koneesta.

- ◆ Puhdista ja tutki kone ja sen toiminnot päivittäin ennen työn aloittamista.
- ◆ Tutki kaikki mahdolliset vuoto- ja vauriokohteet.
- ◆ Tarkista, että imuilman kara on tiukassa ja että kynsiliitin on ehjä.
- ◆ Tarkista käyttökahvan toiminta. Tarkista, että se liikkuu esteettä edestakaisin.
- ◆ Tarkista pidikkeen toiminta. Varmista, että se lukitsee poratangon paikalleen.
- ◆ Vaihda vaurioituneet osat viipymättä.
- ◆ Vaihda kuluneet koneenosat hyvissä ajoin.

- ◆ Tarkista koneen kaikki pultit. Varmista, että ne ovat tiukassa.
- ◆ Jos koneessa on äänenvaimennin, tarkista se vaurioiden varalta.

Kuluneisuuden tarkistaminen

1. Tarkista kiinnitysosien kuluneisuus Atlas Copco (3091 0038 00) -mitalla (22 mm).
Jos poratanko on kulunut liikaa, sen varsi kuluu nopeammin tai vääntyy. Tämä aiheuttaa seisokkeja ja lisää poratangon kulumista.

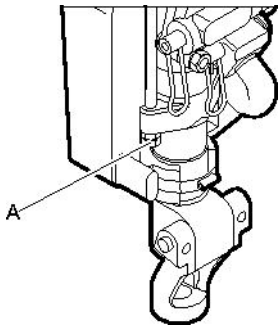


2. Tarkasta letkut, kytkimet ja hallintalaitteet vuotojen ja vaurioiden varalta.
3. Tarkista, että kallioporakone saa tarpeeksi voiteluainetta. Lisää tarvittaessa voiteluainetta.
4. Tyhjennä vedenerotin.

Määräaikaishuollot

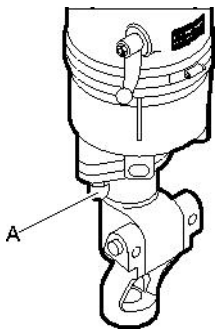
Kone on purettava, kaikki osat on puhdistettava ja tarkastettava noin 100 käyttötunnin välein tai kolmesti vuodessa. Työ on annettava asianmukaisen koulutuksen saaneen, valtuutetun henkilöstön tehtäväksi.

Kiristysmomentti



RH 571-5L/LS, RH 572E

A. Sivupultin mutteri, 90 Nm (66 ft.lbf)



RH 658L/LS

A. Sivupultin mutteri, 125 Nm (92 ft.lbf)

Vauriot

Kuluneet tai rikkoutuneet osat on tarkastettava huolellisesti, ennen kuin ne vaihdetaan uusiin. Ne voivat kertoa porakoneen kunnosta ja siitä, miten sitä on käytetty ja huollettu.

Ongelma	Syy
Teräsosat ovat sinertäviä	Osat ovat altistuneet liialliselle kuumuudelle. Tämä voi johtua riittämättömästä voitelusta tai joutokäynnistä
Teräsosien kulutuspinnoilla on lähes mikroskooppisen pieniä hiushalkeamia	Ks. yllä
Pronssiosien pinnalla on epäsäännöllisyyksiä	Ks. yllä
Leikkumerkinät	Seurannaisvaurio Poran sisällä on likaa
	Epätasaisesti kiristettyjen pulttien aiheuttama sisäinen kohdistusvirhe

Varastointi

- Öljyä kallioporakone aina kunnolla ennen sen varastointia.
- Säilytä konetta aina puhtaassa ja kuivassa paikassa.
- Varmista, että koneeseen ei pääse vieraita esineitä.
- Suojaa kiinnitysosa koneen mukana toimitettavalla muovitulpalla. Voit myös käyttää puutulppaa tai puhdasta puuvillakangaspalaa.
- Jos kone varastoidaan pitkäksi aikaa, kaada öljyä suoraan kallioporakoneen ilmanottoaukkoon. Se suojaa konetta ruosteelta.

Käytöstä poisto

Käytetty kone käsitellään ja romutetaan siten, että mahdollisimman suuri määrä materiaalista voidaan kierrättää paikallisten määräysten mukaan ja ympäristöhaitat pidetään mahdollisimman pieninä.

Tekniset tiedot

Koneen tiedot

Malli	Osanumero	Männän halkaisija mm (in.)	Iskun pituus mm (in.)	Kokonaispituus mm (in.)	Paino kg (lb)	Varren mitat mm (in.)
RH 571-5L	8311 0301 29	55 (2,16)	60 (2,36)	510 20	17,8 (39,2)	22 X 108 (7/8 x 4 1/4)
RH 571-5LS	8311 0301 37	55 (2,16)	60 (2,36)	510 20	18,9 (41,7)	22 X 108 (7/8 x 4 1/4)
RH 572E	8311 0301 78	55 (2,16)	60 (2,36)	583 23	22,8 (50,2)	22 X 108 (7/8 x 4 1/4)
RH 658L	8311 0302 86	65 (2,56)	59 (2,32)	565 22 1/4	24,0 (52,9)	22 X 108 (7/8 x 4 1/4)
RH 658LS	8311 0302 87	65 (2,56)	59 (2,32)	565 22 1/4	25,0 (55,1)	22 X 108 (7/8 x 4 1/4)

Malli	Ilman kulutus (6 bar) l/s (foot ³ /min)	Iskutaajuus (6 bar) Hz	Reiän halkaisija mm (in.)
RH 571-5L	39 (83)	35	28-34 (1,10-1,34)
RH 571-5LS	39 (83)	33	28-34 (1,10-1,34)
RH 572E	37 (78)	34	28-34 (1,10-1,34)
RH 658L	58 (123)	34	29-40 (1,14-1,57)
RH 658LS	58 (123)	34	29-40 (1,14-1,57)

Melu- ja värinäarvoilmoitus

Taattu äänenvoimakkuustaso **L_w** ISO 3744:n mukaisesti täyttäen 2000/14/EY-direktiivin vaatimukset.

Äänenpainetaso, **L_p** ISO 11203:n mukaisesti.

Tärinäarvo **A** ja mittausepävarmuus **B** on määritetty ISO 20643. Ks. taulukossa "Melu- ja värinätiedot" ilmoitetut A-, B- jne. arvot.

Ilmoitetut arvot on mitattu laboratoriotyypisissä kokeissa ohessa mainittuja direktiivejä tai standardeja noudattaen, ja arvot ovat riittävät vertailtaessa ominaisuuksia muiden, samojen direktiivien tai standardien mukaan testattujen työkalujen kanssa. Ilmoitetut arvot eivät ole riittävät riskien arvioinneissa, ja yksittäisissä työkohteissa voidaan mitata korkeampia arvoja. Todelliset altistumisarvot ja yksittäisen käyttäjän kokemat haitat ovat tapauskohtaisia, ja ne riippuvat käyttäjän työtapojen, työkappaleen ja työkohteen suunnittelun ohella altistumisen kestoajasta sekä käyttäjän fyysisestä kunnosta ja koneen kunnosta.

Atlas Copco Construction Tools AB ei ole lakisääteisessä vastuussa tilanteissa, joissa käytetään ohessa esitettyjä arvoja todellisten tapauskohtaisten arvojen asemesta tehtäessä riskianalyysejä työpaikkakohteessa, johon emme voi vaikuttaa millään tavoin.

Tämä työkalu voi aiheuttaa käsiin ja käsivarsiin kohdistuvasta värinästä johtuvaa ns. HAVS-syndroomaa (hand-arm vibration syndrome), ellei koneesta pidetä työn aikana kiinni asianmukaisesti. Käsiin ja käsivarsiin kohdistuvaa värinää käsittelevän EU-oppaan voi ladata verkko-osoitteesta <http://www.humanvibration.com/EU/VIBGUIDE.htm>

Suosittelemme käyttöön terveystarkastusohjelmaa, jolla voidaan havaita mahdolliset värinäpäästöille altistumisen oireet jo niiden alkuvaiheessa. Siten voidaan ryhtyä asianmukaisiin työnjohdollisiin toimenpiteisiin työperäisten sairauksien estämiseksi.

Melu- ja värähtelytiedot

Malli	Melu		Tärinä	
	Ilmoitetut arvot		Ilmoitetut arvot	
	Äänenpaine	Ääniteho	Kolmen akselin arvot	
	ISO 11203	2000/14/EY	ISO 20643	
	Lp r=1m dB(A) suht. 20µPa	Lw taattu dB(A) suht. 1pW	A m/s ² arvo	B m/s ² hajonta
RH 571-5L	106	119	23,2	2,8
RH 571-5LS	99	112	23,2	2,8
RH 572E	100	113	9,7	1,9
RH 658L	106	116	21,2	2,6
RH 658LS	99	112	21,2	2,6

Lisävarusteet

Nimike	Huomautus	Lukumäärä	Osanumero
CLG 30, eurooppalainen tyyppi	Mineraaliöljylle ja synteettiselle öljylle	1	8202 5102 39
BLG 30, eurooppalainen tyyppi	Mineraaliöljylle	1	8202 5102 05
VAM 01, eurooppalainen tyyppi	Ilmavirtaus <50 l/s (106 ft ³ /min)	1	8092 0110 58
VAM 5A, eurooppalainen tyyppi	Ilmavirtaus <120 l/s (254 ft ³ /min)	1	8092 0110 82
Kumiletku, esiasennettu	20 mm (¾")	1	9030 2047 00
Litettä X-LITE-letku, yleismallinen	20 mm (¾")	1	9030 2115 00
Rock Drill AIR-OIL -öljy	4 l	1	8099 0201 04
Rock Drill AIR-OIL -öljy	10 l	1	8099 0201 10

CE-vaatimustenmukaisuusvakuutus

CE-vaatimustenmukaisuusvakuutus (EY-direktiivi 2006/42/EY)

Me, Atlas Copco Construction Tools AB, vakuutamme täten, että alla luetellut koneet täyttävät EY-direktiivin 2006/42/EY (konedirektiivi) määräykset sekä alla mainitut yhdenmukaistetut standardit.

Kallioporat	Osanumero	Pmax (baaria)
RH 571-5L	8311 0301 29	7
RH 571-5LS	8311 0301 37	7
RH 572E	8311 0301 78	7
RH 658L	8311 0302 86	7
RH 658LS	8311 0302 87	7

Teknisten asiakirjojen valtuutettu edustaja:

Erik Sigfridsson
Atlas Copco Constructions Tools AB
Dragonvägen 2
Kalmar

Toimitusjohtaja:

Erik Sigfridsson

Valmistaja:

Atlas Copco Constructions Tools AB
105 23 Stockholm
Sweden

Paikka ja aika:

Kalmar, 2010-01-01

DANSK

Indhold

Indledning.....	219
Om disse sikkerhedsinstruktioner og betjeningsvejledningen.....	219
Sikkerhedsinstruktioner.....	220
Sikkerhed, signalord.....	220
Personlige forholdsregler og kvalifikationer.....	220
Personligt beskyttelsesudstyr.....	220
Narkotika, alkohol eller medicin.....	220
Montering, forholdsregler.....	220
Betjening, forholdsregler.....	221
Vedligeholdelse, forholdsregler.....	225
Opbevaring, forholdsregler.....	225
Oversigt.....	226
Konstruktion og funktion.....	226
Arbejdsprincip for en borehammer.....	226
Styreventilmekanisme.....	226
Rotationsmekanisme.....	226
Spuling.....	226
Hovedkomponenter.....	226
Mærkater.....	227
Typeskilt.....	227
Sikkerhedsmærkat.....	227
Montering.....	227
Udpakning af borehammeren.....	227
Plasticbeskyttelser.....	227
Samling.....	228
Smøring.....	228
Slanger og tilslutninger.....	228
Metoder til forhindring af frysning.....	228
Tilslutning af en vandudskiller.....	228
Smøring.....	228
Trykjustering.....	229
Lufftryk.....	229
Kalibrér det korrekte lufftryk.....	229
Borestål.....	229
Før borestålet sættes på.....	229
Påsætning af borestålet.....	229
Fjernelse af borestålet.....	230
Betjening.....	230
Klargøring inden start.....	231
Kontrol af boreudstyret.....	231
Udblæsning af luftslangen.....	231
Fyldning af smøreanordningen med olie.....	231
Betjeningslementer.....	231
Gashåndtag.....	231
Start og stop.....	232
Start af borehammeren.....	232
Standstning af borehammeren.....	232
Betjening.....	232
Boring.....	232
Når der holdes pause.....	232

Vedligeholdelse	232
Forskelle mellem originale dele og uoriginale dele	232
Hver dag	233
Eftersyn for slid	233
Periodisk vedligeholdelse	233
Tilspændingsmoment	234
Fejltyper	234
Opbevaring	234
Bortskaffelse	234
Tekniske data	235
Maskinens data	235
Støj- og vibrationsdeklaration	235
Støj- og vibrationsdata	236
Tilbehør	236
EF-overensstemmelseserklæring	237
EF-overensstemmelseserklæring (EF-direktiv 2006/42/EF)	237

Indledning

Tak, fordi De har købt et Atlas Copco-produkt. Siden 1873 har det været vores mål at finde nye og bedre måder at dække vores kunders behov på. Gennem årene har vi udviklet innovative og ergonomiske produkter, der har hjulpet vores kunder med at forbedre og rationalisere den daglige drift.

Atlas Copco har et stærkt globalt salgs- og servicenetværk med kundecentre og distributører i hele verden. Vores eksperter er veluddannede fagfolk med omfattende kendskab til produkterne og erfaring i brugen af dem. Overalt i verden kan vi tilbyde produktsupport og ekspertise, der sikrer, at vores kunder kan arbejde med maksimal effektivitet til enhver tid.

Yderligere information findes på: www.atlascopco.com

Atlas Copco Construction Tools AB

105 23 Stockholm

Sweden

Om disse sikkerhedsinstruktioner og betjeningsvejledningen

Formålet med instruktionerne er at give Dem viden om, hvordan borehammaren anvendes effektivt og sikkert. Vejledningen indeholder desuden gode råd og giver anvisninger om regelmæssig vedligeholdelse af borehammaren.

Det er nødvendigt, at De læser denne vejledning omhyggeligt og forstår alle anvisningerne, før De anvender borehammaren første gang.

Sikkerhedsinstruktioner

For at reducere risikoen for alvorlig tilskadekomst eller død for Dem selv eller andre skal De læse og forstå sikkerhedsinstruktionerne og betjeningsvejledningen, inden De arbejder med, reparerer, vedligeholder eller udskifter tilbehør på maskinen.

Slå sikkerhedsinstruktionerne og betjeningsvejledningen op på de steder, hvor der arbejdes med maskinen, udlevér kopier til Deres ansatte, og sørg for, at alle læser sikkerhedsinstruktionerne og betjeningsvejledningen, før de arbejder med eller vedligeholder maskinen.

Desuden bør operatøren, eller dennes arbejdsgiver, vurdere de specifikke risici, som kunne forekomme i forbindelse med brug af maskinen.

Sikkerhed, signalord

Signalordene Fare, Advarsel og Forsigtig har følgende betydninger:

FARE	Angiver en farlig situation, som, hvis den ikke forhindres, vil medføre død eller alvorlig tilskadekomst.
ADVARSEL	Angiver en farlig situation, som, hvis den ikke forhindres, kan medføre død eller alvorlig tilskadekomst.
FORSIGTIG	Angiver en farlig situation, som, hvis den ikke forhindres, kan medføre mindre eller moderat tilskadekomst.

Personlige forholdsregler og kvalifikationer

Kun kvalificeret og trænet personale må betjene og vedligeholde maskinen. De skal rent fysisk være i stand til at håndtere godset, vægten og værktøjets kraft. Brug altid sund fornuft og god dømmekraft.

Personligt beskyttelsesudstyr

Anvend altid godkendt beskyttelsesudstyr. Operatører og alle andre personer i arbejdsområdet skal være iført beskyttelsesudstyr, herunder som et minimum:

- Beskyttelseshjelm
- Høreværn
- Slagfaste beskyttelsesbriller med sidebeskyttelse
- Åndedrætsværn når påkrævet
- Beskyttelseshandsker
- Passende sikkerhedsstøvler

- Passende arbejdsdragt eller lignende beklædning (ikke løst siddende tøj), som dækker arme og ben.

Narkotika, alkohol eller medicin

▲ ADVARSEL Narkotika, alkohol eller medicin

Narkotika, alkohol eller medicin kan påvirke Deres dømmekraft og koncentrationsevne. Nedsat reaktionsevne og forkerte vurderinger kan medføre alvorlige ulykker eller dødsfald.

- ▶ Brug aldrig maskinen når De er træt eller under indflydelse af narkotika, alkohol eller medicin.
- ▶ Ingen personer, der er under indflydelse af narkotika, alkohol eller medicin, må betjene maskinen.

Montering, forholdsregler

▲ FARE Piskende luftslange

En trykluftslange der går løs, kan piske frem og tilbage og forårsage personskade eller dødsfald. Sådan reduceres risikoen:

- ▶ Kontrollér, at trykluftslangen og -forbindelserne ikke er beskadigede, udskift dem om nødvendigt.
- ▶ Kontrollér, at alle tryklufttilslutninger er sat ordentligt fast.
- ▶ Bær aldrig en trykluftmaskine i luftslangen.
- ▶ Forsøg aldrig at tage en trykluftslange af, der er under tryk. Sluk først for tryklufften på kompressoren, og udluft derefter maskinen ved at aktivere start/stop-anordningen.
- ▶ Ret aldrig en trykluftslange mod Dem selv eller andre. For at undgå risikoen for personskader, må trykluft aldrig benyttes til at blæse for eksempel støv, snavs eller lignende af tøj.
- ▶ Brug ikke lynkoblinger på værktøjsåbningen. Brug slangekoblinger med gevind af hærdet stål (eller materiale med tilsvarende stødsikkerhed).
- ▶ Når der bruges universale spiralkoblinger (klokoblinger), anbefaler vi, at der anbringes låsetapper og piskestop-sikkerhedskabler for beskytte mod et muligt forbindelsessvigt mellem slange og værktøj eller slange og slange.

▲ ADVARSEL Udskudt indsætningsværktøj

Hvis værktøjsholderen på maskinen ikke står i låst position, kan værktøjet blive skudt ud med stor kraft og forårsage personskader.

- ▶ Start aldrig maskinen, mens indsætningsværktøjet skiftes.
- ▶ Før værktøjet udskiftes, skal maskinen standses og kraftforsyningen slås fra, hvorefter maskinen skal udluftes ved at aktivere start-/stop-anordningen.
- ▶ Ret aldrig indsætningsværktøjet mod dig selv eller andre.
- ▶ Sørg for at værktøjet er ført helt ind og at værktøjsholderen står i låst position, før maskinen startes.
- ▶ Kontrollér låsefunktionen ved at trække det indsatte værktøj kraftigt udad.

▲ ADVARSEL Løstsiddende indsætningsværktøj

Hvis indsætningsværktøjets skaft ikke har den rigtige dimension, kan det resultere i, at indsætningsværktøjet tabes eller glider ud under arbejdet med fare for alvorlig tilskadekomst eller knuste hænder og fingre.

- ▶ Kontrollér, at værktøjsskaftet har den rette størrelse og længde i forhold til den bøsning der anvendes.
- ▶ Brug aldrig et indsætningsværktøj uden krave.

Betjening, forholdsregler**▲ FARE Eksplosionsfare**

Hvis et varmt indsætningsværktøj kommer i kontakt med sprængstof, kan der ske en eksplosion. Ved arbejde med visse materialer og ved brug af visse materialer i maskinens dele kan der fremkomme gnister og antændelse. Eksplosioner kan føre til alvorlige skader eller dødsfald.

- ▶ Arbejd aldrig med maskinen i et eksplosionsfarligt miljø.
- ▶ Brug aldrig maskinen i nærheden af brændbare materialer, dampe eller støv.
- ▶ Kontrollér, at der ikke er skjulte kilder af gas eller sprængstoffer.
- ▶ Bor aldrig i et gammelt hul.

▲ ADVARSEL Uventede bevægelser

Det indsatte værktøj udsættes for kraftige påvirkninger, når maskinen bruges. Det indsatte værktøj kan knække på grund af metaltræthed efter nogen tids brug. Hvis det indsatte værktøj knækker eller sætter sig fast, kan der opstå uventede bevægelser, som kan medføre tilskadekomst. Desuden kan De komme til skade, hvis De mister balancen eller snubler.

- ▶ Sørg for altid at stå sikkert med en skulderbredde mellem fødderne og kropsvægten ligeligt fordelt.
- ▶ Inspicér altid udstyret før brug. Anvend aldrig udstyret, hvis De har mistanke om, at det er beskadiget.
- ▶ Sørg for at håndtagene er rene og fri for fedt og olie.
- ▶ Hold fødderne væk fra det indsatte værktøj.
- ▶ Stå fast, og hold altid fast i maskinen med begge hænder.
- ▶ Bor aldrig i et gammelt hul.
- ▶ Start aldrig maskinen, mens den ligger på jorden.
- ▶ „Rid“ aldrig på maskinen med et ben over håndtaget.
- ▶ Slå eller mishåndtér aldrig udstyret.
- ▶ Kontrollér regelmæssigt indsætningsværktøjet for slid, og kontrollér, om der er tegn på beskadigelse eller synlige revner.
- ▶ Vær opmærksom og se, hvad De laver.

▲ ADVARSEL Fastsætningsrisiko

Hvis indsætningsværktøjet sætter sig fast under arbejdet, vil hele maskinen begynde at rotere, hvis De mister grebet. En sådan uventet rotation af hele maskinen, kan forårsage alvorlig tilskadekomst eller død.

- ▶ Stå fast, og hold altid i maskinen med begge hænder.
- ▶ Sørg for at håndtaget/håndtagene er rene og fri for fedt og olie.
- ▶ Bor aldrig i et gammelt hul.

▲ ADVARSEL Fare for indfangning

Der er fare for, at halssmykker og lignende, hår, handsker og tøj bliver trukket ind i eller bliver indfanget af et roterende indsætningsværktøj eller tilbehør. Dette kan medføre kvælning, skalpering, sønderrivning eller dødsfald. Sådan nedsættes faren:

- ▶ Sørg for aldrig at tage om eller berøre et roterende bor.
- ▶ Lad være med at bruge tøj, halssmykker og lignende eller handsker, der kan blive indfanget.
- ▶ Tildæk langt hår med et hårnet.

▲ ADVARSEL Støv- og damprisiko

Støv og/eller damp, som opstår eller spredes ved brug af denne maskine kan forårsage alvorlig og permanent sygdom, lidelse eller anden legemlig skade (for eksempel silikose eller anden irreversibel lungesygdom, som kan være livsfarlig, kræft, fødselsdefekter og/eller hudinflammationer).

Nogle slags støv og damp, som opstår ved boring, brydning, hamring, savning, slibning og andre byggeaktiviteter, indeholder substanser, som staten Californien og andre myndigheder har erklæret ansvarlige for åndedrætssygdomme, kræft, fødselsdefekter eller anden forplantningsskade. Nogle eksempler på sådanne substanser er:

- Krystallinsk kvarts, cement og andre murværksmaterialer.
- Arsenik og krom fra kemisk behandlet gummi.
- Bly fra blybaseret maling.

Stol ikke på, hvad du ser, når du vil afgøre, om der er støv eller damp i luften, for støv og damp i luften kan være usynlig for det blotte øje.

Gør følgende for at reducere risikoen for at blive udsat for støv og damp:

- ▶ Foretag en arbejdspladsspecifik risikovurdering. Risikovurderingen skal omfatte støv og damp, som opstår ved brug af maskinen, og eventuelt allerede eksisterende generende støv.
- ▶ Anvend passende teknikker til at minimere mængden af støv og damp i luften og en ophobning af det på udstyr, overflader, tøj og legemsdele. Eksempler på teknikker: udblæsningsventilation og støvopsamlingssystemer, vandforstøvere og vådboring. Kontrollér støv og damp, der hvor det opstår, hvis det er muligt. Sørg for, at de forskellige anordninger er monteret korrekt, vedligeholdes og bruges rigtigt.
- ▶ Bær, vedligehold og brug åndedrætsværn rigtigt som anvist af Deres arbejdsgiver og som det kræves af arbejdssundheds- og sikkerhedsforskrifterne. Åndedrætsværnet skal være effektivt for den type substanser, det drejer sig om (og om muligt godkendt af en kompetent offentlig myndighed).
- ▶ Arbejd i et godt ventileret område.
- ▶ Hvis maskinen har en udblæsning, skal den ledes, så at genen ved støv reduceres i den støvfyldte omgivelse.
- ▶ Brug og vedligehold maskinen som anbefalet i sikkerhedsinstruktionerne og betjeningsvejledningen

- ▶ Vælg, vedligehold og udskift forbrugsvarer/ indsætningsværktøjer/ andet tilbehør som anbefalet i sikkerhedsinstruktionerne og betjeningsvejledningen. Forkert valg eller mangel på vedligeholdelse af forbrugsvarer/ indsætningsværktøjer/ andet tilbehør kan forårsage unødvendig forøgelse af støv eller damp.
- ▶ Bær vaskbart eller engangsbeskyttelsestøj på arbejdsstedet, og tag bad og skift til rent tøj, før arbejdspladsen forlades for derved at begrænse påvirkning fra støv og damp på Dem selv, andre mennesker, biler, hjem og andre områder.
- ▶ Undgå at spise, drikke og ryge på områder, hvor der er støv og damp.
- ▶ Vask Deres hænder og ansigt omhyggeligt så hurtigt som muligt, efter at de har forladt det eksponerede område, og altid inden De spiser, drikker, ryger eller har kontakt med andre mennesker.
- ▶ Overhold alle relevante love og bestemmelser, også arbejdssundheds- og sikkerhedsforskrifter.
- ▶ Deltag i de luftovervågningsprogrammer, helbredsundersøgelser og sundheds- og sikkerhedstræningsprogrammer, som Deres arbejdsgiver eller erhvervsorganisationer tilbyder i henhold til arbejdssundheds- og sikkerhedsforskrifter og anbefalinger. Søg en læge, som har erfaring med relevant arbejdsmedicin.
- ▶ Samarbejd med din arbejdsgiver og erhvervsorganisation på at reducere udsættelsen for støv og damp på arbejdspladsen og på at reducere risiciene. Effektive sundheds- og sikkerhedsprogrammer, foranstaltninger og fremgangsmåder til beskyttelse af arbejdstagere og andre mod farlig udsættelse for støv og damp skal etableres og implementeres baserende på rådgivning fra sundheds- og sikkerhedseksperter. Rådfør Dem med eksperter.

▲ ADVARSEL Projektiler

Fejl på arbejdsemnet, på tilbehør eller på selve maskinen kan frembringe projektiler med høj hastighed. Når der arbejdes, kan splinter eller andre partikler fra det bearbejdede materiale blive til projektiler og forårsage personskade, hvis de rammer operatøren eller andre personer. Sådan reduceres risikoen:

- ▶ Brug godkendt personligt beskyttelsesudstyr og sikkerhedshjelm, herunder stødresistent øjenværn med sidebeskyttelse.
- ▶ Sørg for, at uautoriserede personer ikke får adgang til arbejdsområdet.
- ▶ Hold arbejdsstedet rent og frit for fremmedlegemer.
- ▶ Sørg for, at arbejdsemnerne er sikkert fastgjort.

▲ ADVARSEL Splintrisiko

Hvis man bruger indsætningsværktøjet som et håndholdt hammerværktøj, kan det føre til at splinter rammer operatøren, så denne kommer til skade.

- ▶ Brug aldrig et indsætningsværktøj som håndholdt hammerværktøj. De er specielt designet og varmebehandlet til kun at bruges i en maskine.

▲ ADVARSEL Risiko for at glide, snuble og falde

Der er risiko for at glide, snuble eller falde, for eksempel ved at snuble over slanger eller andre genstande. Man kan komme til skade ved at glide, snuble eller falde. Sådan reduceres risikoen:

- ▶ Sørg for, at der ikke findes slanger eller andre genstande på Deres eller andre personers vej.
- ▶ Sørg for, at De altid står sikkert med en skulderbredde mellem fødderne og kropsvægten ligeligt fordelt.

▲ ADVARSEL Risiko ved manglende bevægelse

Når De bruger maskinen til at udføre arbejdsrelaterede opgaver, oplever De måske ubehag i hænder, arme, skuldre, nakke eller andre dele af kroppen.

- ▶ Indtag en komfortabel kropsstilling, bibehold et sikkert fodfæste og undgå akavede uafbalancerede kropsstillinger.
- ▶ Det hjælper med til at undgå ubehag og træthed, hvis man skifter stilling under lange arbejdsopgaver.
- ▶ I tilfælde af vedvarende eller tilbagevendende symptomer, skal en kvalificeret specialist konsulteres.

▲ ADVARSEL Vibrationsrisiko

Normal og korrekt brug af maskinen udsætter operatøren for vibrationer. Udsættes man regelmæssigt og hyppigt for vibrationer, kan det forårsage eller bidrage til at forværre skader eller sygdomme i operatørens fingre, hænder, håndled, arme, skuldre og/eller nerver og blodtilførsel eller andre dele af kroppen, også svækkende og/eller permanente skader eller sygdomme, som kan udvikle sig gradvist over perioder på uger, måneder eller år. Sådanne skader eller sygdomme kan også være kredsløbsskader, skader på nervesystemet, ledskader og muligvis skader på andre af kroppens strukturer.

Hvis der på noget tidspunkt optræder følelseløshed, vedvarende tilbagevendende ubehag, brændende fornemmelse, stivhed, dunken, snurren, smerter, klodsethed, svækket gribeevne, hvidfarvning af huden eller andre symptomer, uanset om det sker under arbejde med maskinen eller ikke, må der ikke længere arbejdes med maskinen, arbejdsgiveren skal informeres og der skal søges lægehjælp. Fortsat brug af maskinen, efter at der er opstået sådanne symptomer, kan øge risikoen for, at symptomerne bliver mere alvorlige og/eller permanente.

Brug og vedligehold maskinen som anbefalet i disse instruktioner, så der undgås unødigt forøgelse af vibrationer.

Følgende kan være med til at reducere påvirkningen af vibrationer for operatøren:

- ▶ Lad værktøjet gøre arbejdet. Hold så let på maskinen, som behørig kontrol og sikker betjening tillader.
- ▶ Hvis maskinen har vibrationsabsorberende håndtag, skal de holdes i en midterposition og bør ikke presses til endestop.
- ▶ Når slagfunktionen er aktiveret, bør Deres eneste kontakt med maskinen være Deres hænder på håndtaget eller håndtagene. Undgå enhver anden kontakt, for eksempel at støtte nogen del af kroppen mod maskinen eller at læne Dem mod maskinen i et forsøg på at forstærke slagkraften. Det er også vigtigt, at start/stopanordningen ikke er indkoblet, når værktøjet trækkes væk fra den flade, der brydes.
- ▶ Sørg for, at det indsatte værktøj er godt vedligeholdt (herunder dets skæreevne, hvis det er et skærende værktøj), ikke er slidt, og at det har den rigtige størrelse. Hvis der anvendes indsætningsværktøjer, som ikke er ordentligt vedligeholdt, eller som er slidte eller ikke har den rigtige størrelse, tager det længere tid at udføre arbejdet (og længere vibrationspåvirkning), som kan medføre eller bidrage til, at operatøren udsættes for højere vibrationsniveauer.

- ▶ Indstil straks arbejdet, hvis maskinen pludseligt begynder at vibrere kraftigt. Før arbejdet genoptages, skal årsagen til de øgede vibrationer findes og fjernes.
- ▶ Undlad altid at tage fat i, holde om eller røre ved det indsatte værktøj, når maskinen er i brug.
- ▶ Deltag i sundhedskontrol eller -overvågning, helbredsundersøgelser og træningsprogrammer, når de tilbydes af Deres arbejdsgiver, og når de er påbudt ved lov.
- ▶ Tag varmt tøj på og hold Deres hænder varme og tørre, når De arbejder i kulde.

Se „Støj- og vibrationsdeklarationen“ for maskinen, herunder også de deklarerede vibrationsværdier. Disse informationer findes sidst i sikkerhedsinstruktionerne og betjeningsvejledningen.

- ◆ Overhold det anbefalede lufttryk ved arbejde med maskinen. Hvis der arbejdes med et højere eller lavere lufttryk, kan det resultere i højere vibrationsniveauer.

▲ FARE Elektrisk fare

Maskinen er ikke elektrisk isoleret. Hvis maskinen kommer i kontakt med elektricitet, kan det resultere i alvorlige skader eller død.

- ▶ Brug aldrig maskinen i nærheden af en elektrisk ledning eller anden elektrisk kilde.
- ▶ Kontrollér, at der ikke er skjulte ledninger eller andre elektricitetskilder i arbejdsområdet.

▲ ADVARSEL Fare ved skjulte genstande

Når der arbejdes, udgør skjulte ledninger og rør en fare, som kan resultere i alvorlige skader.

- ▶ Kontrollér materialernes sammensætning før arbejdsstart.
- ▶ Pas på skjulte kabler og rør, f.eks. til elektricitet, telefon, vand, gas og spildevand etc.
- ▶ Hvis det ser ud til, at værktøjet har ramt en skjult genstand, skal der straks slukkes for maskinen.
- ▶ Før der fortsættes, skal det sikres, at der ikke er fare på færde.

▲ ADVARSEL Utilsigtet start

Utilsigtet start af maskinen kan forårsage skader.

- ▶ Hold hænderne væk fra start/stop-anordningen, indtil De er klar til at starte maskinen.
- ▶ Lær hvordan maskinen slås fra, hvis der opstår en nødsituation.
- ▶ Slip straks start-/stop-anordningen, i alle tilfælde hvor kraftforsyningen afbrydes.

- ▶ Når der monteres eller fjernes indsætningsværktøjer, skal lufttilførslen slukkes, maskinen udluftes ved at trykke på start-/stopanordningen og maskinen tages fra kraftforsyningen.

▲ ADVARSEL Støjrisiko

Høje støjniveauer kan forårsage permanent og invaliderende høretab og andre problemer, som f.eks. tinnitus (ringende, summende, fløjtende eller brummende lyde i ørerne). For at reducere risiciene og forebygge unødvendig forøgelse af støjniveauer gælder følgende:

- ▶ En risikovurdering af disse risici og implementering af passende kontrolforanstaltninger er vigtigt.
- ▶ Betjen og vedligehold maskinen som anbefalet i denne vejledning.
- ▶ Vælg, vedligehold og udskift indsætningsværktøjet som anbefalet i denne vejledning.
- ▶ Hvis maskinen har en lydæmper, kontrolleres det, at den sidder rigtigt og er i god driftstilstand.
- ▶ Brug altid høreværn.
- ▶ Brug dæmpningsmateriale for at forhindre, at arbejdssemnerne „ringer“.

Vedligeholdelse, forholdsregler

▲ ADVARSEL Maskinmodifikation

Enhver modifikation af maskinen kan medføre personskade for Dem selv og andre.

- ▶ Modificér aldrig maskinen. Modificerede maskiner dækkes ikke af garanti eller produktansvar.
- ▶ Anvend altid originale dele, indsætningsværktøjer og tilbehør, der er godkendt af Atlas Copco.
- ▶ Udskift omgående beskadigede dele.
- ▶ Udskift slidte komponenter i god tid.

▲ FORSIGTIG Varmt indsætningsværktøj

Indsætningsværktøjets spids kan blive varm og skarp, når den bruges. Berøring kan medføre forbrændinger og snitsår.

- ▶ Rør aldrig ved et varmt eller skarpt indsætningsværktøj.
- ▶ Vent indtil indsætningsværktøjet er kølet af, inden der udføres vedligeholdelsesarbejde.

▲ ADVARSEL Risiko ved indsætningsværktøj

Uforsættelig betjening af start-/stopanordningen under vedligeholdelse eller montering kan forårsage alvorlige uheld, hvis kraftforsyningen er tilsluttet.

- ▶ Efterse, rens, montér eller fjern aldrig indsætningsværktøj, når kraftforsyningen er tilsluttet.

Opbevaring, forholdsregler

- ◆ Opbevar maskinen et sikkert sted, hvor den er uden for børns rækkevidde og låst inde.

Oversigt

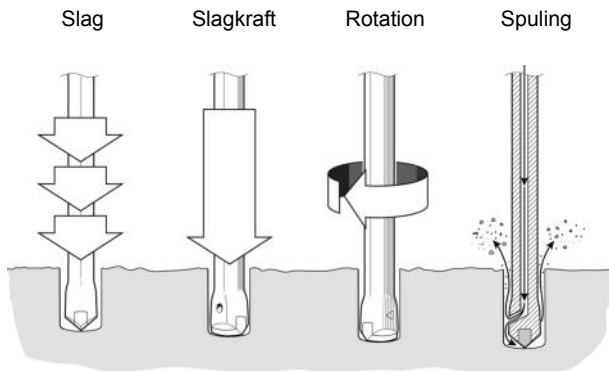
For at reducere risikoen for, at De selv eller andre bliver alvorligt skadet eller dræbt, skal De læse afsnittet med sikkerhedsinstruktioner på de foregående sider i denne håndbog, før De arbejder med maskinen.

Konstruktion og funktion

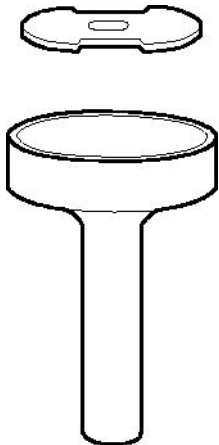
RH 571, RH 572 og RH 658 er tryklufsborehamre til lodret boring, spunshulsboring og boring i beton ved bygge- og brydningsopgaver. Ingen anden brug er tilladt.

Kontakt Deres lokale Atlas Copco forhandler i forbindelse med valget af det rigtige indsætningsværktøj.

Arbejdsprincip for en borehammer

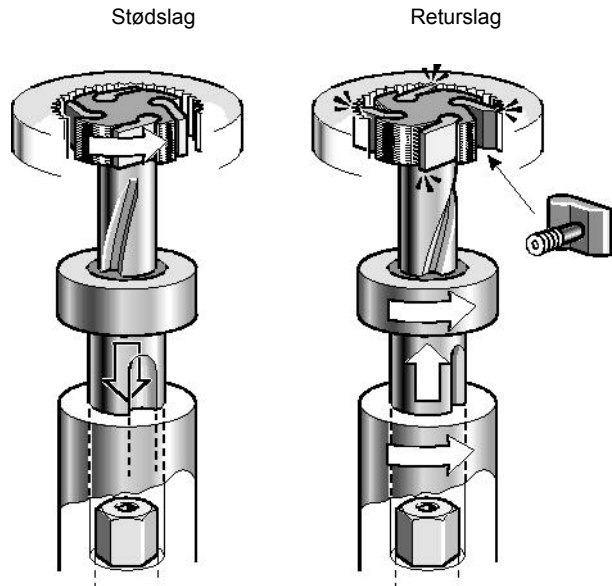


Styreventilmekanisme



Ventilen leder luften skiftevis fra den ene til den anden side af stemplet, så det bevæger sig op og ned. Stemplet overfører energien gennem borestålet til bunden af hullet.

Rotationsmekanisme

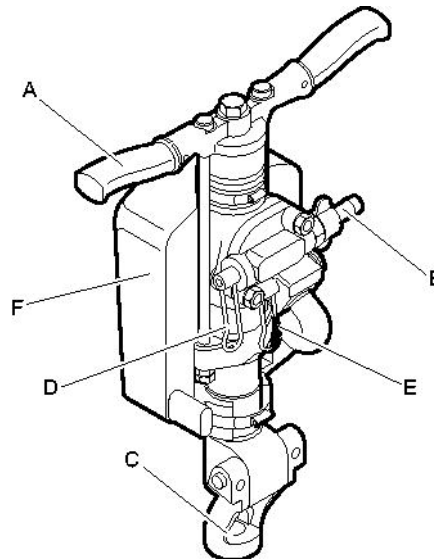


Borestålet drejes lidt ved hvert slag fra den riflede stangs rotation. Rotationen er i retning mod uret og udføres på stemplets returslag.

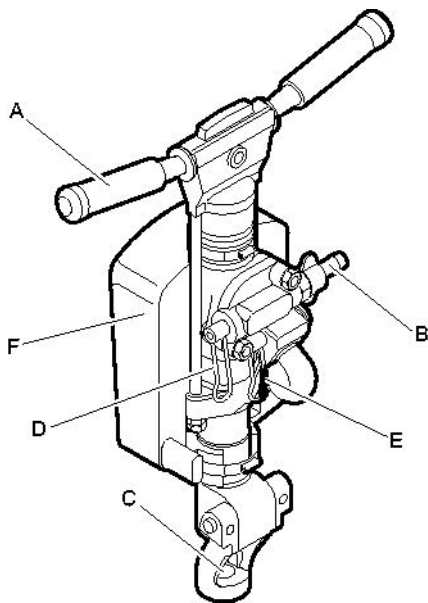
Spuling

Spuling udføres gennem et hul i stemplet. Det betyder, at der kommer spuleluft så snart, der tændes for trykluffen.

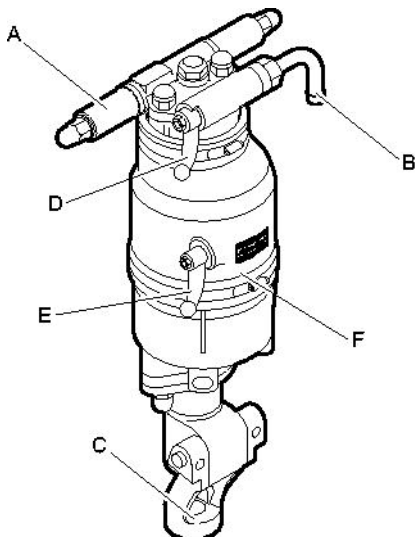
Hovedkomponenter



RH 571-5L/LS



RH 572E



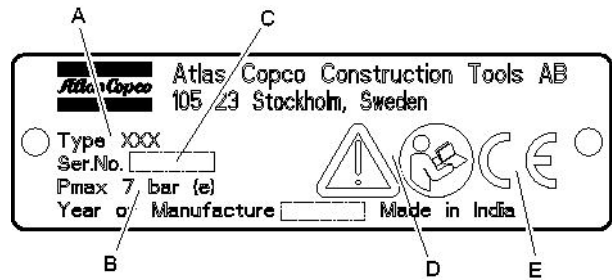
RH 658L/LS

- A. Håndtag
- B. Luftindtagsnippel
- C. Borestålholder
- D. Gashåndtag
- E. Ekstra blæserhåndtag
- F. Lyddæmper (ekstraudstyr)

Mærkater

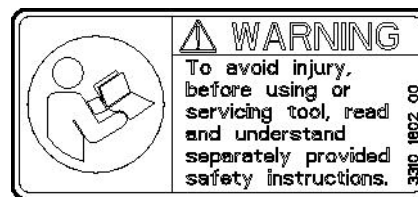
Maskinen er forsynet med mærkater, som indeholder vigtige informationer om personlig sikkerhed og maskinens vedligeholdelse. Mærkaterne skal være i en sådan tilstand, at de nemt kan læses. Nye mærkater kan bestilles fra reservedelslisten.

Typeskilt



- A. Maskintype
- B. Maksimalt tilladt tryk for tryklufforsyning
- C. Serienummer
- D. Advarselssymbolet sammen med bogsymbolet betyder, at brugeren skal læse sikkerhedsinstruktionerne og betjeningsvejledningen, før maskinen anvendes første gang.
- E. CE-symbolet betyder, at maskinen er EU-godkendt. Se EU-deklarationen, som følger med maskinen, for yderligere information. Hvis CE-symbolet mangler, betyder det, at maskinen ikke er EU-godkendt.

Sikkerhedsmærkat



For at undgå tilskadekomst skal de separat udleverede sikkerhedsinstruktioner læses og forstås, inden værktøjet bruges eller vedligeholdes.

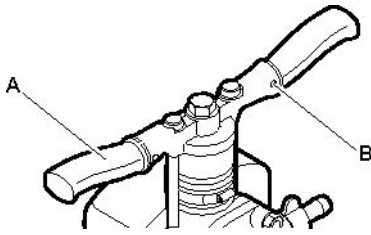
Montering

Udpakning af borehammeren

Plasticbeskyttelser

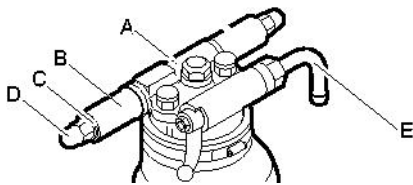
Før borehammeren bruges første gang, skal alle plasticbeskyttelser i slangenipler, udluftningshuller og drejebøsning fjernes.

Samling



RH 571-5L/LS

- 1) Pres bøsningerne og håndtagene (A) på hver side af bagstykket.
- 2) Sørg for at sikre håndtagene ved at slå fjedertapperne (B) i bagstykket.



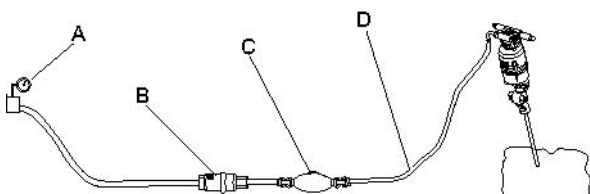
RH 658L/LS

- 1) Anbring håndtagsbolten (A) i bagstykket.
- 2) Anbring grebene (B) på hver side af håndtagsbolten.
- 3) Sørg for at sikre grebene med en skive (C) og en hættemøtrik (D) på begge sider.
- 4) Skru slangenippen (E) i luftindtaget, til den sidder fast.

Smøring

Efter udpakning og montering af værktøjet fyldes en passende mængde smøroleie ind i lufttilslutningen.

Slanger og tilslutninger



- A. Trykluftkilde
- B. Vandudskiller (ekstraudstyr)
- C. Smøreanordning (ekstraudstyr)
- D. Maks. 3 meter trykluftslange mellem smøreanordningen og maskinen.

- ◆ Kontrollér, at De anvender det anbefalede arbejdstryk, 6 bar (e).
- ◆ Det maksimalt tilladte lufttryk, 7 bar (e), må ikke overskrides.
- ◆ Blæs eventuelle urenheder ud af trykluftslangen, før den sættes til maskinen.
- ◆ Vælg en trykluftslange i korrekt dimension og længde. Slanger på op til 30 meter bør have en indvendig minimumsdiameter på 19 mm (3/4"). Slanger på mellem 30 og 100 meter bør have en indvendig minimumsdiameter på 25 mm (1").

Metoder til forhindring af frysnings

Isdannelse i lydæmperen kan forekomme, når den omgivende lufts temperatur er 0–10°C (32–50 °F) og den relative luftfugtighed er høj.

Maskinen er konstrueret til at undgå isdannelse i lydæmperen. Alligevel kan der under ekstreme forhold dannes is i lydæmperen.

Gør yderligere følgende for at modvirke risikoen for isdannelse:

- ◆ Brug Atlas Copco Rock Drill AIR-OIL som smøremiddel.
- ◆ Brug VAM 5A vandudskiller.

Hvis der har dannet sig is i borehammeren, må der aldrig anvendes varme for at smelte den. Lad altid isen tø ved rumtemperatur.

Fyld aldrig denatureret alkohol eller lignende væsker i borehammeren, de påvirker smøringen og fører til forøget slitage.

Tilslutning af en vandudskiller

Der skal anvendes en tilstrækkeligt lang slange mellem kompressoren og vandudskilleren for at sikre, at vanddampen afkøles og kondenseres i slangen, før den når frem til vandudskilleren.

Hvis den omgivende temperatur er under 0°C (32°F), skal slangen være kort nok til at forhindre, at vandet fryser i slangen, før det når frem til vandseparatoren.

Smøring

Borehammeren smøres med olie, der er blandet med trykluft, og som føres frem til de dele, der kræver kontinuerlig smøring. Olie tilføres tryklufften i afmålte portioner ved brug af en Atlas Copco CLG 30 smøreanordning, der er tilsluttet luftslangen.

Brug Atlas Copco Rock Drill AIR-OIL, som er specielt udviklet til BBC, BBD og RH trykborehamre. Rock Drill AIR-OIL er let biologisk nedbrydelig i henhold til OECD 301 og har en høj filmstyrke, som kan tåle store belastninger. Hvis De ikke har Rock Drill AIR-OIL, skal der bruges en mineralbaseret olie til trykluftværktøjer med de egenskaber, som anbefales i nedenstående tabel.

Temperaturområde (°C)	Viskositet (ISO 3448)
-30 til 0	ISO VG 32-68
-10 til +20	ISO VG 68-100
+10 til +50	ISO VG 100-150

Trykjustering

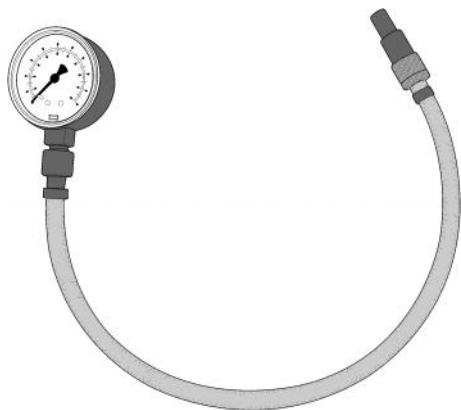
Luftryk

Vær sikker på, at kompressoren kan levere det krævede luftryk på 4-6 bar til værktøjet.

1. Højt tryk medfører hårde arbejdsforhold og ekstra slitage.
2. Lavt tryk medfører langsom borehastighed.

Kalibrér det korrekte luftryk

Brug Atlas Copco (9090 0550 80) trykmåler til at kontrollere luftrykket, når borehammeren kører. Trykket bør måles tæt ved indgangsnipen. Det maksimale arbejdsstryk er 6 bar.



Trykmåleren er forsynet med en nål, som trykkes ind i slangen for at måle det indvendige tryk.

Borestål

▲ ADVARSEL Udskudt indsætningsværktøj

Hvis værktøjsholderen på maskinen ikke står i låst position, kan værktøjet blive skudt ud med stor kraft og forårsage personskader.

- Stop maskinen og slå tryklufttilførslen fra, før værktøjet udskiftes, derefter skal maskinen udluftes ved at aktivere start-/stopanordningen.

Før borestålet sættes på

Kontrollér, at værktøjsskafte har den rette størrelse og længde i forhold til den bøsning, der anvendes. Skafte skal være rent og værktøjet i god stand. Skafter som er hakkede, afrundede, deforme eller for hårde i slagenden, vil arbejde ineffektivt og medføre for tidlig slitage af stemplet.

Efterse borestålet:

Et sløvt borestål vil nedsætte borehastigheden og overbelaste boremekanismen. Når der skiftes borestål, så sørg for, at det nye har den rigtige størrelse i forhold til den hidtidige boring.

Inden boring skal det kontrolleres, at spulehullet i borestålet ikke er blokeret.

▲ FORSIGTIG Varmt indsætningsværktøj

Indsætningsværktøjets spids kan blive varm og skarp, når den bruges. Berøring kan medføre forbrændinger og snitsår.

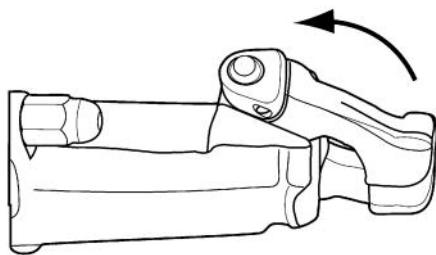
- Rør aldrig ved et varmt eller skarpt indsætningsværktøj.
- Vent indtil indsætningsværktøjet er kølet af, inden der udføres vedligeholdelsesarbejde.

BEMÆRK Afkøl aldrig et varmt indsætningsværktøj i vand, det kan føre til skørhed og tidligt svigt.

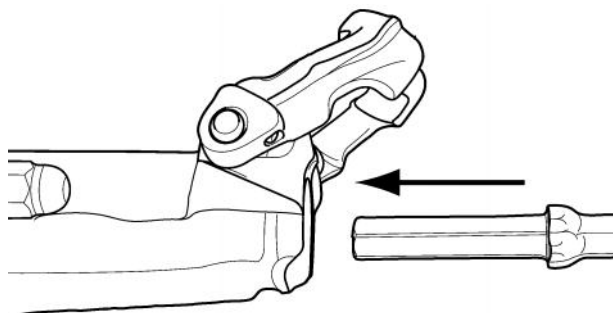
Påsætning af borestålet

Når borestålet monteres, skal følgende instruktioner følges:

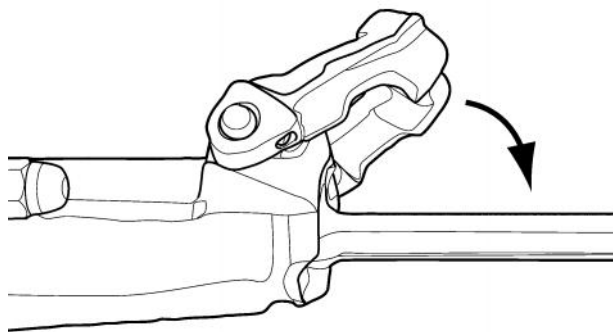
1. Skub holderen udad i pilens retning, indtil holderens front kan optage borestålets krave.



2. Sæt borestålet ind i bøsningen.



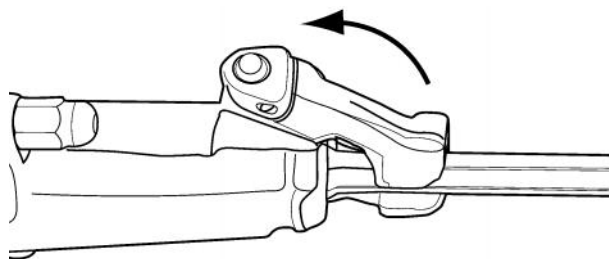
3. Når boret når bunden, skubbes holderen tilbage, så den låses fast.



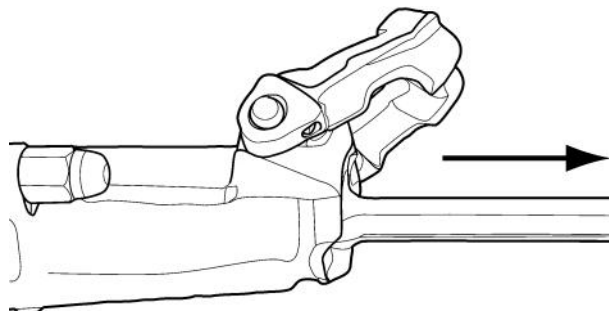
Fjernelse af borestålet

Når borestålet fjernes, skal følgende instruktioner følges:

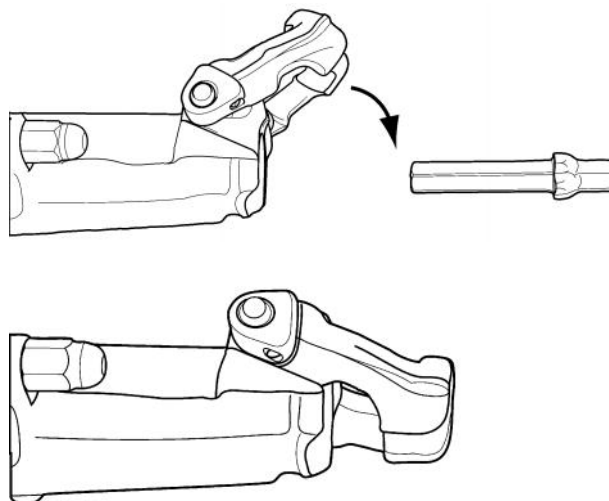
1. Skub holderen udad i pilens retning, indtil borestålets krave går fri af holderens front.



2. Træk borestålet ud.



3. Skub holderen tilbage.



Betjening

▲ ADVARSEL Utilsigtet start

Utilsigtet start af maskinen kan forårsage skader.

- Hold hænderne væk fra start/stop-anordningen, indtil De er klar til at starte maskinen.
- Lær hvordan maskinen slås fra, hvis der opstår en nødsituation.
- Stands maskinen omgående i tilfælde af afbrydelse af kraftforsyningen.

Klargøring inden start

Kontrol af boreudstyret

- ◆ Kontrollér, at hele boreudstyret er i god tilstand.
- ◆ Kontrollér, at slagfladen på borestålets skaft er flad, uden tegn på slitage.
- ◆ Sørg for at luftindtaget og udstødningsåbningerne ikke er tilstoppede.
- ◆ Kontrollér, at spulehullerne i borestålet og borekronen ikke er blokerede, og at spuleluft og vand kan strømme igennem uden forhindringer.
- ◆ Sørg for at luftfilteret (det sidder i luftniplen) er rent og ikke slidt eller beskadiget.
- ◆ Kontrollér, at koblingerne er korrekt tilspændt og tætte.

▲ FARE Piskende luftslange

En trykluftslange, der går løs, kan piske frem og tilbage og forårsage personskade eller dødsfald

- ▶ Kontrollér, at trykluftslangen og -forbindelserne ikke er beskadigede.
- ▶ Kontrollér, at alle tryklufttilslutninger er ordentligt sat fast.

Udblæsning af luftslangen

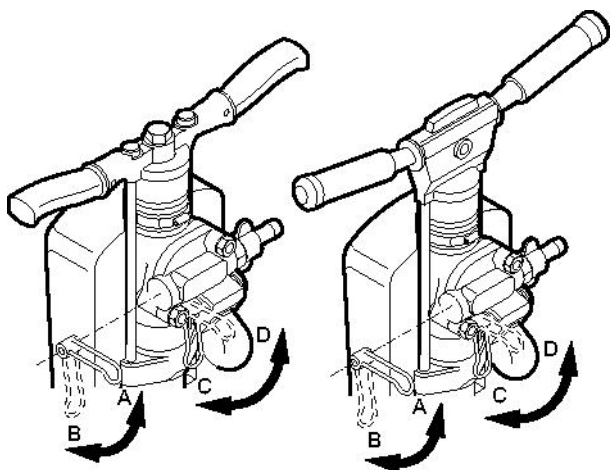
- ◆ Hver dag inden boret tages i brug, skal luftslangen blæses igennem, for at rense slangen for ophobet snavs og fugt.

Fyldning af smøreanordningen med olie

- ◆ Kontrollér, at bøsningen og borestålets skaft altid er tilstrækkeligt olieret.

Betjeningselementer

Gashåndtag

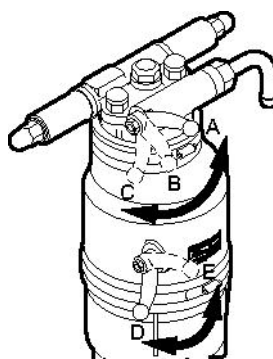


RH 571-5L/LS

RH 572E

Borehammeren er udstyret med et gashåndtag til regulering af trykluftten til slagmekanismen og et blæserhåndtag til blæserensning.

- A. Gasventil lukket (stopposition)
- B. Gashåndtag helt åbnet
- C. Blæserventil lukket (stopposition)
- D. Blæserventil helt åbnet



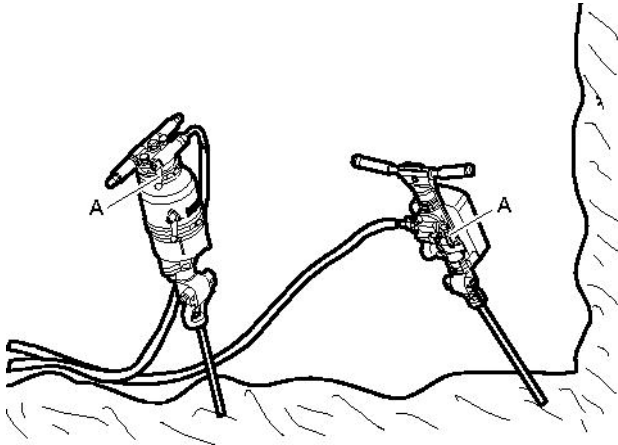
RH 658L/LS

Borehammeren er udstyret med et gashåndtag til regulering af trykluftten til slagmekanismen og et blæserhåndtag til blæserensning.

- A. Gasventil lukket (stopposition)
- B. Gashåndtag halvt åbnet
- C. Gashåndtag helt åbnet
- D. Blæserventil lukket (stopposition)
- E. Blæserventil helt åbnet

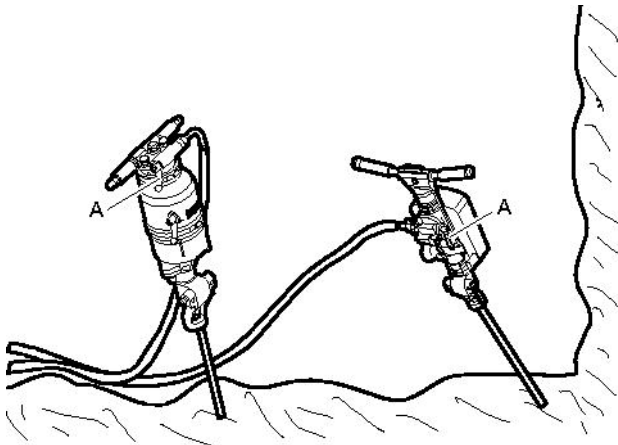
Start og stop

Start af borehammeren



1. Åbn hovedventilen for trykluft.
2. Placér borehammeren, så borestålet berører det krævede startpunkt.
3. Bevæg gashåndtaget (A) lidt fremad, så at slag og rotation startes.
4. Start hullet med reduceret slagkraft.
5. Bevæg gashåndtaget (A) helt fremad, når borestålet har fået sikkert fat i stenen.

Standning af borehammeren



1. Træk gashåndtaget (A) bagud til lukket stilling, så standses slag og rotation.

Betjening

Boring

- ◆ Brug beskyttelsessko, handsker, hjelm, høreværn og slagfast øjenbeskyttelse med sideskærm.
- ◆ Stå sikkert, og hold altid fast i maskinen med begge hænder.
- ◆ Pres det indsatte værktøj imod arbejdsfladen, inden maskinen startes.

Når der holdes pause

- ◆ Når De holder pause, skal maskinen altid opbevares på en måde, så der ikke er risiko for, at den startes utilsigtet. Sørg for at anbringe maskinen på jorden, så den ikke kan falde ned.
- ◆ Ved længere pauser, eller når arbejdspladsen forlades: Sluk først for kraftforsyningen og udluft derefter maskinen ved at aktivere start/stop-anordningen.

Vedligeholdelse

Regelmæssig vedligeholdelse er et grundlæggende krav til fortsat sikker og effektiv brug af maskinen. Følg vedligeholdelsesinstruktionerne omhyggeligt.

- ◆ Rens maskinen, inden vedligeholdelsesarbejderne udføres, så De ikke udsættes for farlige substanser. Se „Støv- og damprisiko“
- ◆ Brug kun godkendte dele. Skader eller fejl, som opstår på grund af ikke-godkendte reservedele, dækkes ikke af garanti eller produktansvar.
- ◆ Ved rensning af mekaniske dele med et opløsningsmiddel, skal gældende sundheds- og sikkerhedsbestemmelser overholdes, og der skal være tilstrækkelig ventilation.
- ◆ Ved behov for et større eftersyn af maskinen, kontaktes nærmeste autoriserede værksted.
- ◆ Kontrollér efter hvert eftersyn, at maskinens vibrationsniveau er normalt. Hvis det ikke er tilfældet, kontaktes nærmeste autoriserede værksted

Forskelle mellem originale dele og uoriginale dele

Når der købes en del, er det første man skal gøre at kontrollere, at delen stammer fra Atlas Copco. De fleste dele kan identificeres.



Dele til borehamre er normalt mærket med et bestillingsnr. og Atlas Copco's identitetsmærke, som er en cirkel med en borehammer. I nogle få tilfælde er delen kun mærket enten med cirklen alene eller bestillingsnr. alene.

Gummi- og plasticdele er normalt ikke mærkede. Konkurrenter, der kopierer vores dele, mærker ofte de større og dyre dele. Nogle dele har kun bestillingsnr., men nogle har også et identitetsmærke i form af initialerne i producentens navn. Bestillingsnr. på uoriginale dele er som regel stemplet på med håndkraft, hvilket medfører, at de er uregelmæssige. Bestillingsnr., der stemples på af Atlas Copco, er regelmæssige og de forskellige tal har samme størrelse. Desuden er tallenes dybde, og mellemrummene mellem tallene i hver gruppe, den samme.

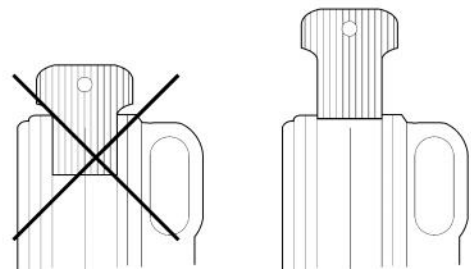
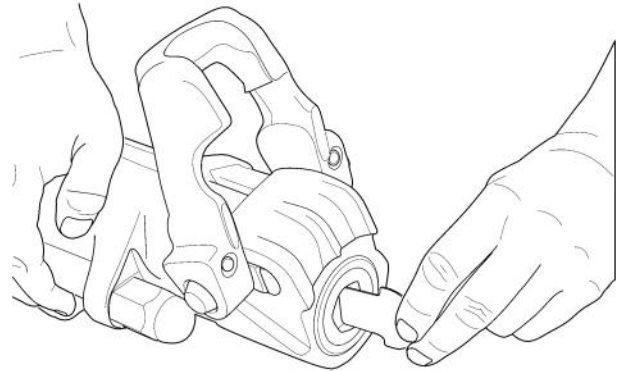
Hver dag

Før der udføres vedligeholdelse eller skiftes indsætningsværktøj på trykluftmaskiner, skal der altid slukkes for lufttilførslen, og maskinen afluftes ved at trykke på start- og stopanordningen, hvorefter luftslangen tages af maskinen.

- ◆ Rens maskinen og efterse den og dens funktioner hver dag, inden arbejdet begynder.
- ◆ Foretag et generelt eftersyn for lækager og skader.
- ◆ Kontroller, at luftindgangsniplen er spændt fast, og at klokoblingen er fri for skader.
- ◆ Kontrollér gashåndtagets funktion. Sørg for at det kan bevæge sig frit op og ned.
- ◆ Kontrollér holderens funktion. Sørg for at den fastlåser borestålet.
- ◆ Udskift omgående beskadigede dele.
- ◆ Udskift slidte komponenter i god tid.
- ◆ Kontrollér maskinens gennemgående skruer. Sørg for at de er spændt fast.
- ◆ Hvis maskinen har en lyddæmper, kontrollér den for beskadigelse.

Eftersyn for slid

1. Kontrollér sliddet i drejebøsningen med Atlas Copco (**3091 0038 00**) måler (22 mm). Hvis slidgrænsen er overskredet, vil borestålets skaft blive hurtigere slidt, eller blive deformet. Dette vil medføre flere stop og et øget forbrug af borestål.

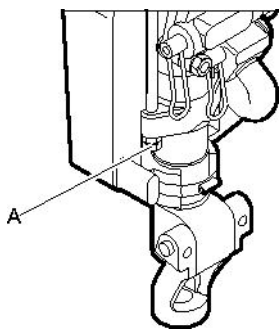


2. Kontrollér slangerne, koblingerne og styreenhederne for lækager og beskadigelser.
3. Kontrollér, om borehammeren får nok smøring. Fyld smøreanordningen om nødvendigt.
4. Aftap vandudskilleren.

Periodisk vedligeholdelse

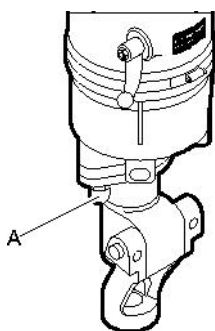
Efter hver brugsperiode, på ca. 100 driftstimer eller tre gange om året, skal maskinen adskilles og alle dele renses og efterses. Dette arbejde skal udføres af autoriseret personale, som er uddannet til denne opgave.

Tilspændingsmoment



RH 571-5L/LS, RH 572E

A. Sideboltmøtrik, 90 Nm (66 ft.lbf)



RH 658L/LS

A. Sideboltmøtrik, 125 Nm (92 ft.lbf)

Fejltyper

Slidte eller knækkede dele skal altid undersøges nøje, inden de udskiftes. De kan give vigtige informationer om borehammers tilstand, og den måde hvorpå den bruges og vedligeholdes.

Problem	Årsag
Dele af stål har en blålig farve	Delene har været udsat for overophedning. Det kan skyldes utilstrækkelig smøring eller tomgang
Dele af stål har små, næsten mikroskopiske revner på slidfladerne	Se ovenfor
Uregelmæssige fordybninger på bronzedelernes overflader	Se ovenfor
Skæremærker	Sekundær skade Snavs inde i boret
	Indvendig fejljustering på grund af uens tilspænding af sideboltene

Opbevaring

- Indsmør altid borehammeren grundigt med olie, inden den lægges til opbevaring.
- Maskinen skal altid opbevares på et tørt sted.
- Vær sikker på, at der ikke kan trænge fremmedstoffer ind i maskinen.
- Beskyt bøsningen ved hjælp af plasticproppen, der leveres sammen med maskinen. Alternativt kan der bruges en træprop eller en ren bomuldsklud.
- I tilfælde af langtidsopbevaring skal der hældes en portion olie direkte ind i borehammerens luftindtag, og startes kortvarigt for lufttilførslen. Det vil beskytte maskinen mod rust.

Bortskaffelse

En brugt maskine skal behandles og bortskaffes således, at materialet kan genbruges i størst muligt omfang, så enhver negativ påvirkning af miljøet bliver så lav som muligt og i henhold til de lokale forskrifter.

Tekniske data

Maskinens data

Model	Artikel nummer	Stempel boring mm (in.)	Slaglængde mm (in.)	Total længde mm (in.)	Vægt kg (lb)	Skaftdimension mm (in.)
RH 571-5L	8311 0301 29	55 (2,16)	60 (2,36)	510 20	17,8 (39,2)	22 X 108 (7/8 x 4 1/4)
RH 571-5LS	8311 0301 37	55 (2,16)	60 (2,36)	510 20	18,9 (41,7)	22 X 108 (7/8 x 4 1/4)
RH 572E	8311 0301 78	55 (2,16)	60 (2,36)	583 23	22,8 (50,2)	22 X 108 (7/8 x 4 1/4)
RH 658L	8311 0302 86	65 (2,56)	59 (2,32)	565 22 1/4	24,0 (52,9)	22 X 108 (7/8 x 4 1/4)
RH 658LS	8311 0302 87	65 (2,56)	59 (2,32)	565 22 1/4	25,0 (55,1)	22 X 108 (7/8 x 4 1/4)

Model	Luftforbrug (6 bar) l/s (foot ³ /min)	Slagfrekvens (6 bar) Hz	Huldiameter mm (in.)
RH 571-5L	39 (83)	35	28-34 (1,10-1,34)
RH 571-5LS	39 (83)	33	28-34 (1,10-1,34)
RH 572E	37 (78)	34	28-34 (1,10-1,34)
RH 658L	58 (123)	34	29-40 (1,14-1,57)
RH 658LS	58 (123)	34	29-40 (1,14-1,57)

Støj- og vibrationsdeklaration

Garanteret lydeffektniveau **L_w** i henhold til ISO 3744 i overensstemmelse med Direktiv 2000/14/EF.

Lydtryksniveau **L_p** i henhold til ISO 11203.

Vibrationsværdier **A** og usikkerhed **B** fastlagt i henhold til ISO 20643. Se tabel „Støj- og vibrationsdata“ vedrørende værdierne for A, B, etc.

Disse deklarerede værdier er fundet ved typeprøvning i laboratorium i overensstemmelse med det angivne direktiv eller de angivne normer og er egnet til sammenligning med de deklarerede værdier for andet værktøj, som er testet i overensstemmelse med det samme direktiv eller de samme normer. Disse deklarerede værdier er ikke egnede til at anvendes i risikovurderinger, og værdier målt på de enkelte arbejdssteder kan være højere. De faktiske eksponeringsværdier og risici for overlast, der opleves af den enkelte bruger er unikke og afhænger af, hvordan brugeren arbejder, hvilket materiale maskinen anvendes på, samt på eksponeringstiden og brugerens fysiske tilstand og maskinens tilstand.

Vi, Atlas Copco Construction Tools AB, kan ikke holdes ansvarlige for følgerne af at anvende de deklarerede værdier i stedet for værdier, der afspejler den faktiske eksponering i en individuel risikovurdering i en arbejdssituation, som vi ikke har nogen indflydelse på.

Dette værktøj kan give hånd-arm vibrationssyndrom, hvis det ikke anvendes hensigtsmæssigt. En EU-vejledning til håndtering af hånd-armvibration kan findes på <http://www.humanvibration.com/EU/VIBGUIDE.htm>

Vi anbefaler et sundhedsovervågningsprogram med det formål at detektere tidlige symptomer, som kan stå i forbindelse med vibrationseksponering, således at procedurerne kan modificeres med henblik på at forebygge fremtidig skade.

Støj- og vibrationsdata

Model	Støj		Vibration	
	Deklarerede værdier		Deklarerede værdier	
	Lydtryk	Lydeffekt	Værdier i forhold til tre akser	
	ISO 11203	2000/14/EF	ISO 20643	
	Lp r=1m dB(A) rel 20µPa	Lw garanteret dB(A) rel 1pW	A m/s ² værdi	B m/s ² spredning
RH 571-5L	106	119	23,2	2,8
RH 571-5LS	99	112	23,2	2,8
RH 572E	100	113	9,7	1,9
RH 658L	106	116	21,2	2,6
RH 658LS	99	112	21,2	2,6

Tilbehør

Beskrivelse	Bemærk	Antal	Vare nummer
CLG 30, europæisk type	Til både mineralsk og syntetisk olie	1	8202 5102 39
BLG 30, europæisk type	Til mineralsk olie	1	8202 5102 05
VAM 01, europæisk type	Luftmængde <50 l/s (106 ft ³ /min)	1	8092 0110 58
VAM 5A, europæisk type	Luftmængde <120 l/s (254 ft ³ /min)	1	8092 0110 82
Gummislange, formonteret	20 mm (¾")	1	9030 2047 00
X-LITE flad slange, universal	20 mm (¾")	1	9030 2115 00
Rock Drill AIR-OIL	4 l	1	8099 0201 04
Rock Drill AIR-OIL	10 l	1	8099 0201 10

EF-overensstemmelseserklæring

EF-overensstemmelseserklæring (EF-direktiv 2006/42/EF)

Vi, Atlas Copco Construction Tools AB, erklærer hermed, at nedennævnte maskiner er i overensstemmelse med bestemmelserne i EF-direktiv 2006/42/EF (Maskindirektiv), og nedennævnte harmoniserede standarder.

Bjergborehamre	Artikelnummer	Pmax (bar)
RH 571-5L	8311 0301 29	7
RH 571-5LS	8311 0301 37	7
RH 572E	8311 0301 78	7
RH 658L	8311 0302 86	7
RH 658LS	8311 0302 87	7

Autoriseret repræsentant for teknisk dokumentation:

Erik Sigfridsson
Atlas Copco Constructions Tools AB
Dragonvägen 2
Kalmar

Administrerende direktør:

Erik Sigfridsson

Producent:

Atlas Copco Constructions Tools AB
105 23 Stockholm
Sweden

Sted og dato:

Kalmar, 2010-01-01

NORSK

Innhold

Innledning.....	241
Om Sikkerhetsinstrukser og bruksanvisning.....	241
Sikkerhetsinstrukser.....	242
Signalord.....	242
Personlige forholdsregler og kvalifikasjoner.....	242
Personlig verneutstyr.....	242
Narkotika, alkohol eller legemidler.....	242
Installasjon, forholdsregler.....	242
Drift, forholdsregler.....	243
Vedlikehold, forholdsregler.....	246
Lagring, forholdsregler.....	247
Oversikt.....	248
Konstruksjon og funksjon.....	248
Arbeidsprinsippet til en bergboremaskin.....	248
Reguleringsventilmekanisme.....	248
Roteringsmekanisme.....	248
Spyling.....	248
Hoveddeler.....	248
Merker.....	249
Typeskilt.....	249
Sikkerhetsskilt.....	249
Montering.....	249
Pakke ut bergboremaskinen.....	249
Plastsperrer.....	249
Montering.....	250
Smøring.....	250
Slanger og kopplingsstykker.....	250
Metoder for å forhindre frysing.....	250
Koble til en vannutskiller.....	250
Smøring.....	250
Trykkjustering.....	251
Luftrykk.....	251
Justere rett luftrykk.....	251
Borestål.....	251
Før du monterer borestålet.....	251
Montere borestålet.....	251
Fjerne borestålet.....	252
Drift.....	252
Forberedelser før du starter.....	253
Sjekk boreutstyret.....	253
Blås ut luftslangen.....	253
Fyll opp smøreapparatet med olje.....	253
Kontroller.....	253
Gasspak.....	253
Start og stopp.....	254
Starte bergboremaskinen.....	254
Stoppe bergboremaskinen.....	254
Bruk.....	254
Boring.....	254
Når man tar en pause.....	254

Vedlikehold	254
Forskjeller mellom originale og uoriginale deler	254
Hver dag	255
Sjekk slitasje	255
Periodisk vedlikehold	255
Tiltrekkingsmoment	256
Skadete deler	256
Lagring	256
Avhending	256
Tekniske data	257
Maskindata	257
Støy- og vibrasjonsdeklarasjoner	257
Støy- og vibrasjonsdata	258
Tilbehør	258
EU Samsvarserklæring	259
EU Samsvarserklæring (EU-direktiv 2006/42/EF)	259

Innledning

Takk for at du valgte et produkt fra Atlas Copco. Helt siden 1873 har vi vært opptatt av å finne nye og bedre måter å møte våre kunders behov på. I årenes løp har vi utviklet nyskapende og ergonomiske produktutforminger som har hjulpet kundene til å forbedre og rasjonalisere det daglige arbeidet.

Atlas Copco har et sterkt globalt salgs- og servicenettverk bestående av kundesentra og forhandlere. Våre eksperter er høyt utdannede fagfolk med inngående produktkunnskaper og erfaring. I alle verdenshjørner kan vi tilby kundestøtte og ekspertise for å sikre at våre kunder kan jobbe med maksimal effektivitet til enhver tid.

For mer informasjon, gå inn på: www.atlascopco.com

Atlas Copco Construction Tools AB

105 23 Stockholm

Sweden

Om Sikkerhetsinstrukser og bruksanvisning

Formålet med instruksjonene er å gi deg kunnskap om hvordan du bruker bergboremaskinen på en effektiv, sikker måte. Instruksene gir deg også råd og viser deg hvordan du utfører vedlikehold på bergboremaskinen.

Før du begynner å bruke bergboremaskinen første gang, må du lese disse instruksene nøye og forstå alle sammen.

Sikkerhetsinstrukser

For å redusere faren for alvorlige skader eller død for deg selv eller andre, må du lese og forstå disse sikkerhetsinstrukser og bruksanvisninger før du installerer, bruker, reparerer eller vedlikeholder maskinen, eller skifter deler på den.

Heng opp disse sikkerhetsinstrukser og bruksanvisninger på arbeidsplassen, gi de ansatte kopier av dem og forsikre deg om at alle leser dem før de betjener eller utfører service på maskinen.

I tillegg må operatøren eller operatørens arbeidsgiver vurdere spesifikke risikoer som kan være til stedet ved bruk av maskinen.

Signalord

Signalordene Fare, Advarsel og Forsiktig har følgende betydning:

FARE	Viser til en farlig situasjon som vil føre til alvorlig skade eller død dersom den ikke unngås.
ADVARSEL	Viser til en farlig situasjon som kan føre til alvorlig skade eller død dersom den ikke unngås.
FORSIKTIG	Viser til en farlig situasjon som kan føre til mindre eller moderate skader dersom den ikke unngås.

Personlige forholdsregler og kvalifikasjoner

Vedlikehold eller bruk av maskinen må kun gjøres av kvalifiserte og opplærte personer. De må være i fysisk stand til å håndtere størrelsen, vekten og kraften til verktøyet. Bruk alltid sunn fornuft og god vurderingsevne.

Personlig verneutstyr

Bruk alltid godkjent verneutstyr. Operatører og alle andre personer i arbeidsområdet skal bruke verneutstyr, bestående av minimum:

- Beskyttelseshjelm
- Hørselsvern
- Slagbestandige vernebriller med sidebeskyttelse
- Åndedrettsvern når det er nødvendig
- Vernehansker
- Skikkelig vernestøvler
- Egnede arbeidsoverall eller tilsvarende bekledning (ikke løstsittende) som dekker armene og bena.

Narkotika, alkohol eller legemidler

▲ ADVARSEL Narkotika, alkohol eller legemidler

Narkotika, alkohol og legemidler svekker dømmekraften og konsentrasjonsevnen. Dårlig reaksjonsevne eller feilaktige vurderinger kan føre til alvorlige ulykker, også med døden til følge.

- ▶ Bruk aldri maskinen når du er trøtt eller påvirket av narkotika, alkohol eller legemidler.
- ▶ Ingen personer som påvirket av narkotika, alkohol eller legemidler skal bruke maskinen.

Installasjon, forholdsregler

▲ FARE Piskende luftslange

En trykkluftslange som løsner kan slå omkring seg med stor kraft, og forårsake personskade eller død. For å redusere denne risikoen:

- ▶ Sjekk at trykkluftslangene og koblingene ikke er skadet, og skift dem ut om nødvendig.
- ▶ Sjekk at alle trykklufttilkoblingene er skikkelig festet.
- ▶ Bær aldri en pneumatisk maskin ved å holde i luftslangen.
- ▶ Forsøk aldri å kople fra en trykkluftslange som står under trykk. Slå av lufttrykket på luftkompressoren og tøm maskinen for luft ved å sette i gang start og stopp knappen.
- ▶ Rett aldri en trykkluftslange mot deg selv eller andre. Bruk aldri trykkluft til å blåse f.eks. støv, skitt osv. av klærne, da det kan medføre fare for å bli skadet.
- ▶ Ikke bruk hurtigkoplinger der innsetningsverktøyet koples til. Bruk gjengede slangearmaturer av herdet stål (eller materialer med tilsvarende støtsikkerhet).
- ▶ Når universale dreibare slangekoplinger (klokkoplinger) brukes, anbefaler vi at låsestifter installeres og at sikkerhetswire brukes for å beskytte mot mulige feilkoplinger mellom slange og verktøy eller mellom slange og slange.

▲ ADVARSEL Utløst innsetningsverktøy

Hvis verktøyholderen på maskinen ikke er satt i en låst posisjon kan det innsatte verktøyet utløses med en kraft, som kan forårsake personskade.

- ▶ Start aldri maskinen mens innsetningsverktøyet byttes.
- ▶ Før du skifter innsetningsverktøyet eller tilbehør, stopp maskinen, slå av strømtilførselen og tøm maskinen for luft ved å sette i gang start og stopp knappen.
- ▶ Pek aldri med et innsatt verktøy mot deg selv eller andre.
- ▶ Kontroller at verktøyet er fullstendig satt inn og at verktøyholderen er i låst posisjon før maskinen startes.
- ▶ Kontroller låsefunksjonen ved å nappe kraftig i det innsatte verktøyet.

▲ ADVARSEL Flytte / miste innsetningsverktøyet

Ukorrekt dimensjon på spindelen på innsetningsverktøyet kan føre til at innsetningsverktøyet mistes eller glir ut under bruk. Fare for alvorlig skade eller knuste hender og fingre.

- ▶ Kontroller at innsetningsverktøyet har den spindellengden og de dimensjonene maskinen er beregnet for.
- ▶ Bruk aldri et innsetningsverktøy uten mansjett.

Drift, forholdsregler

▲ FARE Eksplosjonsfare

Dersom et varmt innsetningsverktøy kommer i kontakt med eksplosiver, kan en eksplosjon forekomme. Når du jobber med visse materialer og når visse materialer brukes i maskindeler, kan det oppstå gnister og antenner. Eksplosjoner kan føre til alvorlige skader, også med døden til følge.

- ▶ Bruk aldri maskinen i eksplosive omgivelser.
- ▶ Bruk aldri maskinen i nærheten av brannfarlige materialer, gasser eller støv.
- ▶ Forsikre deg om at det ikke er noen uoppdagete gasskilder eller eksplosiver.
- ▶ Ikke bor i et gammelt hull.

▲ ADVARSEL Uforutsette bevegelser

Innsetningsverktøyet er utsatt for store belastninger når maskinen brukes. Innsetningsverktøyet kan brette på grunn av materialtretthet etter en viss brukstid. Dersom innsetningsverktøyet brekker eller setter seg fast, kan det oppstå plutselige uforutsette bevegelser som kan forårsake skader. Videre kan fall eller tap av balanse føre til skader.

- ▶ Sørg for at du alltid inntar en stødig stilling, med føttene like langt fra hverandre som skulderbredden, og hold kroppstygden i balanse.
- ▶ Inspiser alltid utstyret før du bruker det. Bruk aldri utstyr du mistenker for å være skadet.
- ▶ Sørg for at håndtakene er fri for fett og olje.
- ▶ Hold føttene på avstand fra innsetningsverktøyet.
- ▶ Stå støtt og hold alltid i maskinen med begge hender.
- ▶ Bor aldri i et gammelt hull.
- ▶ Start aldri maskinen mens den ligger på bakken.
- ▶ Aldri „ri” på maskinen med ett ben over håndtaket.
- ▶ Utstyret skal ikke utsettes for slag eller spark.
- ▶ Kontroller innsetningsverktøyet jevnlig for slitasje, og kontroller om det har tegn på skade eller synlige sprekker.
- ▶ Vær oppmerksom og se på hva du gjør.

▲ ADVARSEL Fare for fastkjøring

Dersom innsetningsverktøyet setter seg fast under drift, vil hele maskinen begynne å rotere dersom du mister grepet på den. Slik uventet rotering av hele maskinen kan forårsake alvorlige personskader, også med døden til følge.

- ▶ Stå støtt og hold alltid i maskinen med begge hender.
- ▶ Sørg for at håndtakene er fri for fett og olje.
- ▶ Bor aldri i et gammelt hull.

▲ ADVARSEL Fare for å sitte fast

Det er fare for at skjerf, hår, hansker og klær dras inn i eller setter seg fast i et roterende innsetningsverktøy eller tilbehør. Det kan føre til kvelning, avrivning av hår og hud, eller død. For å redusere risikoene:

- ▶ Et roterende drillstål må aldri gripes fatt i eller berøres.
- ▶ Pass på at klær, skjerf og hansker du har på deg ikke setter seg fast.
- ▶ Langt hår må dekket med et hårnett.

▲ ADVARSEL Støv- og røykfarer

Støv og/eller røyk som oppstår når maskinen brukes kan forårsake alvorlige og permanente pustevansker, sykdommer eller annen skader på kroppen (for eksempel silikose eller andre uheldredelige lungesykdommer som kan være dødelige, kreft, fosterskader og/eller irritert hud).

Enkelte støv- og røyktyper som oppstår ved boring, knusing, pigging, saging, sliping og andre anleggsaktiviteter inneholder stoffer som anses av staten California og av andre autoriteter til å forårsake pustevansker, kreft, fosterskader og andre reproduksjonsskader). Noen eksempler på slike kjemikalier er:

- Krystallinsk silika, sement og andre murprodukter.
- Arsenikk og krom fra kjemisk behandlet gummi.
- Bly fra blybasert maling.

Støv og røyk i luften kan være usynlig for det bare øyet, så du kan ikke stole på hva du ser for å bedømme om det er støv eller røyk i luften.

For å redusere risikoen for å bli utsatt for røyk og støv, må du gjøre følgende:

- ▶ Utfør risikoanalyse spesifikk for arbeidsplassen. Risikoanalysen må inkludere støv og røyk som oppstår ved bruk av maskinen og potensialet for å virvle opp eksisterende støv.
- ▶ Foreta egnede tekniske tiltak for å redusere mengden støv og røyk i luften og opphopning av støv på utstyr, overflater, klær og kroppsdeler. Eksempler på slike tiltak kan være: avgassventilasjon og støvsamlingssystemer, overrislingsventiler og våtboring. Kontroller støv og røykutvikling ved kilden hvor det er mulig. Sørg for at tiltakene og utstyret installeres, vedlikeholdes og brukes på riktig måte.
- ▶ Bruk og vedlikehold på riktig måte vernemaske, som instruert av din arbeidsgiver eller som påkrevd av helse-, miljø- og sikkerhetsforskrifter. Vernemasken må være effektiv mot den type stoffer du utsettes for (og må eventuelt være godkjent av relevant autoritet).
- ▶ Jobb i godt ventilerte områder.
- ▶ Hvis maskinen har et utblåsningsrør, må det rettes på en måte som reduserer oppvirvling av støv i støvete miljøer.
- ▶ Betjen og vedlikehold maskinen som anbefalt i disse sikkerhetsinstrukser og bruksanvisninger.
- ▶ Velg, vedlikehold og skift innsetningsverktøyet eller andre utskiftbare deler som anbefalt i disse instruksjonene. Hvis innsetningsverktøyet eller andre utskiftbare deler ikke velges eller vedlikeholdes riktig, kan det forårsake unødvendig økning av støv og røyk.

- ▶ Bruk vaskbare eller deponerbare verneklær på arbeidsområdet. Dusj eller bytt til rene klær før du forlater arbeidsområdet for å redusere eksponering av støv og røyk for deg selv, andre personer, biler, hjem eller andre områder.
- ▶ Unngå å spise, drikke eller bruke tobakkprodukter i områder hvor det er støv eller røyk.
- ▶ Vask hender og ansikt grundig så snart du forlater eksponeringsområdet, og alltid før du spiser, drikker eller bruker tobakkprodukter, eller berører andre personer.
- ▶ Overhold alle gjeldende lover og regler, også innen helse, miljø og sikkerhet.
- ▶ Delta i åndedrettskontroller, medisinske eksaminasjoner, og opplæringsprogrammer som din arbeidsgiver eller fagforening tilbyr deg og som er i henhold til forskrifter og anbefalinger innen helse, miljø og sikkerhet. Kontakt lege med erfaring fra relevant yrkesmedisin.
- ▶ Samarbeid med din arbeidsgiver og din fagforening for å redusere utsettelsen for røyk og støv på arbeidsplassen og for å redusere risikoen. Effektive helse- og sikkerhetsprogrammer, policyer og prosedyrer for å beskytte arbeidere og andre personer mot skadelig utsettelse for støv og røyk må fastsettes og innføres basert på råd fra eksperter innen helse, miljø og sikkerhet. Ta kontakt med eksperter.

▲ ADVARSEL Prosjektiler

Feil på arbeidsmaterialet, tilbehør eller på selve maskinen kan skape prosjektiler med svært høye hastigheter. Under driften kan splinter eller andre partikler fra arbeidsmaterialet opptre som prosjektiler og forårsake personskade ved å treffe operatøren eller andre personer. For å redusere disse risikoene:

- ▶ Bruk godkjent personlig verneutstyr og vernehjelm, inkludert støtmotstandige vernebriller med sidebeskyttelse.
- ▶ Sørg for at ingen uautoriserte personer kommer inn i arbeidsområdet.
- ▶ Hold arbeidsplassen fri for fremmede objekter.
- ▶ Forsikre deg om at arbeidsmaterialet er forsvarlig festet.

▲ ADVARSEL Fare for splinter

Hvis du bruker innsetningsverktøyet som et håndholdt verktøy, kan du bli truffet av splinter og bli alvorlig skadet.

- ▶ Bruk derfor aldri innsetningsverktøyet som et håndholdt verktøy. Det er spesialkonstruert og varmebehandlet for å kun brukes i maskiner.

▲ ADVARSEL Farer ved å skli, snuble og falle

Det finnes en risiko for å skli, snuble og falle, for eksempel for å snuble i slangen eller i andre gjenstander. Hvis du sklir, snubler eller faller, kan det forårsake skader. For å redusere risikoene:

- ▶ Forsikre deg alltid om at det ikke er noen slanger eller andre gjenstander i veien for deg eller andre personer.
- ▶ Sørg for at du alltid inntar en stødig stilling, med føttene like langt fra hverandre som skulderbredden, og hold kroppstygden i balanse.

▲ ADVARSEL Farer vedrørende bevegelse

Når du bruker maskinen til å utføre arbeid, kan du oppleve ubehag i hendene, armene, skuldrene, nakken eller i andre kroppsdelene.

- ▶ Innta en komfortabel stilling samtidig som du står stødig og unngår å miste balansen.
- ▶ Hvis du bruker maskinen lenge, kan det hjelpe å bytte stilling for å unngå ubehag og tretthet.
- ▶ Hvis symptomene vedvarer eller stadig kommer tilbake, bør du ta kontakt med kvalifisert helsepersonell.

▲ ADVARSEL Vibrasjonsfare

Vanlig og korrekt bruk av maskinen utsetter operatøren for vibrasjon. Regelmessig og hyppig eksponering av vibrasjon kan forårsake, bidra til eller forverre skader eller forstyrre operatørens fingre, hender, håndledd, armer, skuldre og/eller nerver og blodforsyning eller andre kroppsdelene, inkludert svekkelse og/eller permanente skader eller forstyrrelser som kan utvikles gradvis over uker, måneder eller år. Slike skader eller forstyrrelser kan omfatte skader på blodsirkulasjonssystemet, skader på nervesystemet, skader på ledd og mulig skader på andre organer.

Dersom nummenhet, vedvarende ubehag, brennende følelse, stivhet, banking, prikking, smerte, klønetthet, svekket grep, blekhet eller andre symptomer skulle opptre på noe tidspunkt mens maskinen betjenes eller mens den ikke betjenes, må man ikke fortsette å betjene maskinen, men fortelle arbeidsgiveren om det og søke medisinsk hjelp. Hvis du fortsetter å bruke maskinen etter at du oppdager slike symptomer, kan det øke risikoen for at symptomene øker eller blir permanente.

Betjene og vedlikehold maskinen som anbefalt i disse instruksjonene for å unngå unødvendig økning av vibrasjon.

Følgende tiltak kan redusere eksponeringen av vibrasjon til operatøren:

- ▶ La verktøyet gjøre jobben. Bruk det minimale håndgrepet som trengs for å holde kontroll over maskinen og sørg for trygg drift.
- ▶ Hvis maskinen har vibrasjonsdempende håndtak, må du holde dem sentralt og unngå å skyve dem til endestoppene.
- ▶ Når støtmekanismen aktiveres, skal din eneste kroppskontakt med maskinen være gjennom hendene som du holder på håndtaket eller håndtakene med. Unngå annen kontakt, f.eks. støtte andre deler av kroppen mot maskinen eller lene deg mot maskinen for å øke trykkraften. Det er også viktig at start- og stoppmekanismene ikke er aktivert når verktøyet trekkes opp fra den brutte arbeidsoverflaten.
- ▶ Sørg for at det innsatte verktøyet er godt vedlikeholdt (og skarpt, dersom det er et kutteverktøy), ikke slitt og i riktig størrelse. Innsettingsverktøy som ikke er godt vedlikeholdt, eller som er slitte, eller som ikke har riktig størrelse, vil føre til at det tar lengre tid å utføre et arbeid (som gir lengre eksponering til vibrasjon) og kan føre til eller bidra til høyere vibrasjonsnivåer.
- ▶ Stopp arbeidet umiddelbart dersom maskinen brått tar til å vibrere sterkt. Finn og bli kvitt årsaken til den økte vibrasjonen før arbeidet gjenopptas.

- ▶ Ikke grip tak i, hold eller berør det innsatte verktøyet mens maskinen er i bruk.
- ▶ Delta i helseundersøkelser eller helseovervåking, medisinske undersøkelser og treningsprogrammer som tilbys av arbeidsgiveren og når de er lovpålagte.
- ▶ Bruk varme klær og hold hendene varme og tørre når du jobber i kaldt vær.

Se maskinens „Støy- og vibrasjonsdeklarasjoner”, inkludert de oppgitte vibrasjonsverdiene. Denne informasjonen finnes på slutten av denne håndboken „Sikkerhetsinstrukser og bruksanvisning”.

- ◆ Følg anbefalt lufttryknivå når du bruker maskinen. For høyt eller lavt lufttrykk kan føre til økt vibrasjon.

▲ FARE Strømfare

Denne maskinen er ikke strøminsolert. Hvis maskinen kommer i kontakt med elektrisitet, kan det resultere i alvorlig skade eller død.

- ▶ Maskinen må aldri brukes i nærheten av strømledninger eller andre strømkilder.
- ▶ Sørg for at det ikke skjuler seg strømledninger eller andre strømkilder i arbeidsområdet.

▲ ADVARSEL Fare ved skjulte objekter

Skulte kabler og rør utgjør en fare som kan føre til alvorlige skader under arbeidet.

- ▶ Kontroller materialets sammensetning før bruk.
- ▶ Se opp for skjulte kabler og rør som elektrisitet, telefon, vann, gass og kloakkrør, o.l.
- ▶ Dersom det innsatteverktøyet later til å ha truffet et skjult objekt, slå av maskinen umiddelbart.
- ▶ Sørg for at det ikke foreligger noen fare før du fortsetter arbeidet.

▲ ADVARSEL Utilsiktet start

Utilsiktet start av maskinen kan forårsake skade.

- ▶ Hold hendene unna start- og stoppknappene til du er klar til å begynne arbeidet.
- ▶ Lær om hvordan maskinen slås av i tilfelle det skulle oppstå en nødssituasjon.
- ▶ Frigjør startknappen og stopp enheten umiddelbart hvis det oppstår forstyrrelser på lufttilførselen.
- ▶ Før du setter inn eller tar ut innsetningsverktøyet, må du slå av lufttilførselen og tappe ut luften fra maskinen ved å trykke ned start- og stoppavtrekkeren og kople fra strømtilførselen.

▲ ADVARSEL Støfare

Høye støynivåer kan føre til permanent hørselsskade og tap av hørsel, samt andre problemer som tinnitus (øresus). For å redusere risikoen og forhindre unødvendig økning av støynivå, må du:

- ▶ Foreta en risikovurdering av alle disse farene og implementere passende kontroller.
- ▶ Betjene og vedlikeholde maskinen som anbefalt i disse instruksjonene.
- ▶ Velg, vedlikehold og skift innsetningsverktøyet som anbefalt i disse instruksjonene.
- ▶ Kontroller at lyddemperen er på plass og i god tilstand, hvis maskinen har en lyddemper.
- ▶ Bruk alltid hørselsvern.
- ▶ Bruk dempende materialer for å forhindre at arbeidsmaterialet lager „ringelyder”.

Vedlikehold, forholdsregler

▲ ADVARSEL Maskinmodifisering

Alle maskinmodifikasjoner kan resultere i kroppslige skader for deg selv eller andre.

- ▶ Foreta aldri modifiseringer av maskinen. Modifiserte maskiner dekkes ikke av garantien eller produktansvaret.
- ▶ Bruk alltid originale deler, innsetningsverktøy og tilbehør godkjent av Atlas Copco.
- ▶ Bytt ut skadede deler umiddelbart.
- ▶ Skift ut slitte komponenter i god tid.

▲ FORSIKTIG Varmt innsetningsverktøy

Tuppen på innsetningsverktøyet kan bli varmt og skarpt når det brukes. Berøring kan føre til brannsårl eller kuttskader.

- ▶ Et varmt eller skarpt innsetningsverktøy må ikke berøres.
- ▶ Vent til innsetningsverktøyet er avkjølt før du utfører vedlikeholdsarbeid.

▲ ADVARSEL Farer vedrørende innsetningsverktøyet

Hvis man trykker på start- og stoppavtrekkeren ved et uhell under vedlikehold eller installering, kan det forårsake alvorlige skader hvis maskinen er koplet til strøm.

- ▶ Du må derfor aldri undersøke, rengjøre, sette inn eller ta ut innsetningsverktøyet når maskinen er koplet til strøm.

Lagring, forholdsregler

- ◆ Oppbevar maskinen og verktøyene på et sikkert og låsbart sted, utilgjengelig for barn.

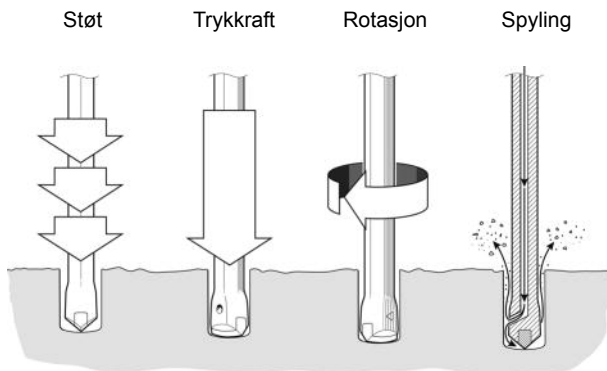
Oversikt

For å redusere faren for alvorlig skade eller død for deg selv og andre, les avsnittet Sikkerhetsinstruksjoner på de foregående sidene av denne håndboken før du tar maskinen i bruk.

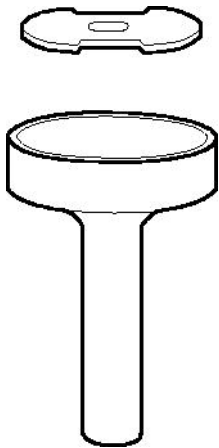
Konstruksjon og funksjon

RH 571, RH 572 og RH 658 er pneumatiske bergboremaskiner som er konstruert for vertikal boring, boring av avløp og boring i betong for anleggs- og gruvearbeid. Annet bruk er ikke tillatt. Kontakt din Atlas Copco-leverandør for å velge riktig innsettingsverktøy.

Arbeidsprinsippet til en bergboremaskin

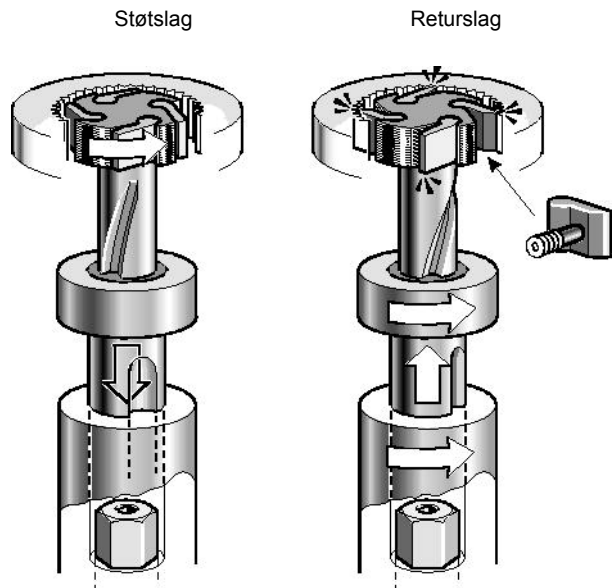


Reguleringsventilmekanisme



Ventilen skifter luftstrømmen fra en side av stempelet til den andre, slik at det beveger seg opp og ned. Stempelet overfører energien gjennom borestålet til bunnen av hullet.

Roteringsmekanisme

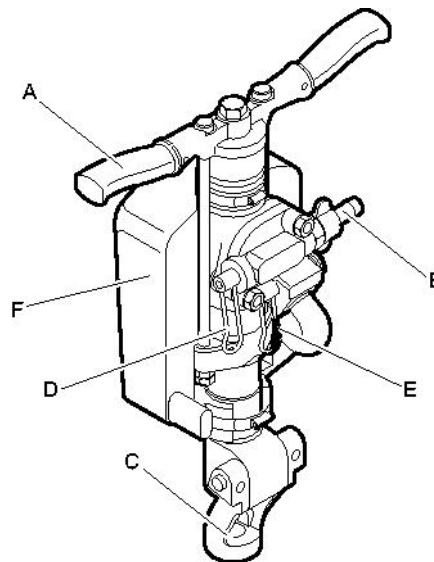


Borestålet dreies litt for hvert slag når spiralstangen roterer. Rotasjonen er mot urviseren for hvert returslag til stempelet.

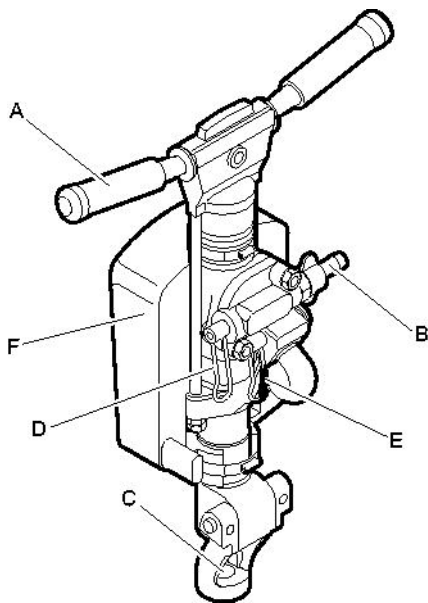
Spyling

Spylingen foregår via et hull i stempelet. Dette betyr at spyleluft leveres så snart lufttrykket er slått på.

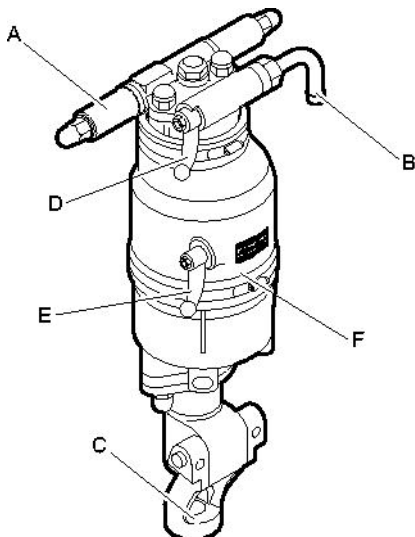
Hoveddeler



RH 571-5L/LS



RH 572E



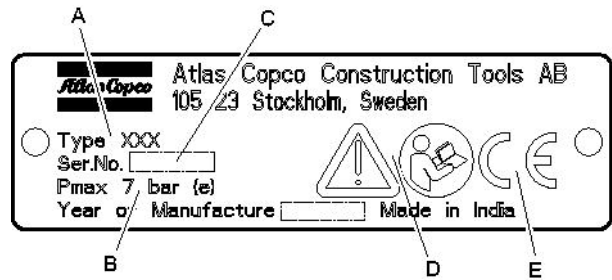
RH 658L/LS

- A. Håndtak
- B. Luftinntaksnippel
- C. Borestålholder
- D. Gasspak
- E. Ekstra blåsespak
- F. Lyddemper (alternativ)

Merker

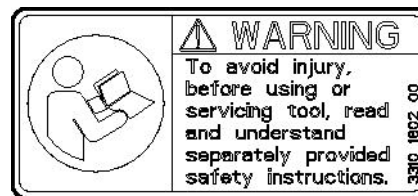
Maskinen er utstyrt med merker som inneholder viktig informasjon om personlig sikkerhet og vedlikehold av maskinen. Disse merkene skal være i en tilstand som gjør det enkelt å lese dem. Nye merker kan bestilles fra reservedellisten.

Typeskilt



- A. Maskintype
- B. Maksimalt tillatt lufttrykk
- C. Serienummer
- D. Varseltrekanten sammen med boksymbolet betyr at brukeren må lese sikkerhets- og bruksinstruksjonene før maskinen brukes for første gang.
- E. CE-symbolet betyr at maskinen er CE-godkjent. Se CE-erklæringen som er medsendt maskinen for ytterligere informasjon. Hvis CE-symbolet mangler, betyr det at maskinen ikke er CE-godkjent.

Sikkerhetsskilt



Før du begynner å bruke eller utføre service på maskinen, må du lese og forstå sikkerhetsinstruksjoner levert separat for å unngå at det oppstår skade.

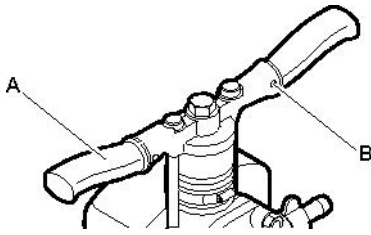
Montering

Pakke ut bergboremaskinen

Plastsperrer

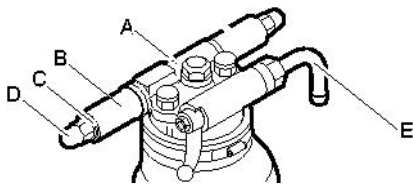
Før bergboremaskinen brukes for første gang, må alle plastsperrer i slangenippel, luftehull og roterende chuck fjernes.

Montering



RH 571-5L/LS

- 1) Skyv bøssingene og håndtakene (A) inn på hver side av hodet til bakstykket.
- 2) Sikre håndtakene ved å sette inn låsepinnene (B) i hodet til bakstykket.



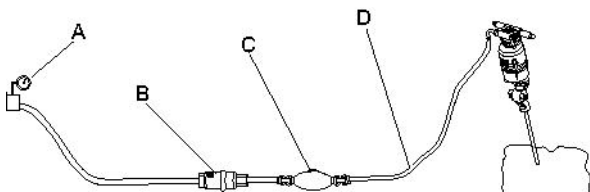
RH 658L/LS

- 1) Plasser håndtaksboltene (A) inn i hodet til bakstykket.
- 2) Plasser grepene (B) på hver side av håndtaksboltene.
- 3) Sikre grepene med en stoppskive (C) og en toppmutter (D) på begge sider.
- 4) Skru slangenippelen (E) inn i luftinntaket til det sitter godt fast.

Smøring

Etter du har pakket ut og montert verktøyet, tøm en rikelig mengde med smøreolje i lufttilkoblingen.

Slanger og koplingsstykker



- A. Trykkluftskilde
- B. Vannseparator (ekstrautstyr)
- C. Smøreapparat (tillegg)
- D. Maks. 3 meter trykkluftslange mellom smøreapparatet og maskinen.

- ◆ Sjekk at du bruker korrekt driftstrykk, 6 bar (e).
- ◆ Du må ikke bruke høyere trykk enn det maksimalt tillatte driftstrykket, 7 psig (e).
- ◆ Blås ut smuss av trykkluftsslengen før du kople den til maskinen.
- ◆ Velg riktig diameter og lengde på trykkluftsslengen. For slangelengder opp til 30 meter, skal en slange med en minimum innvendig diameter på 19mm (3/4") brukes. Hvis slagelengden er mellom 30 og 100 meter, skal en slange med en minimum innvendig diameter på 25 mm (1") brukes.

Metoder for å forhindre frysing

Isdannelse i lydempere kan oppstå når lufttemperaturen er 0-10°C (32-50 °F) og den relative luftfuktigheten er høy.

Maskinen er laget for å unngå isdannelse i lydempere. På tross av dette kan det bli dannet is på lydempere under ekstreme forhold.

Ta følgende forholdsregler for å motvirke faren for isdannelse ytterligere:

- ◆ Bruk Atlas Copco Rock Drill AIR-OIL som smøremiddel.
- ◆ Bruk VAM 5A vannutskiller.

Hvis bergboremaskinen fryser, må du aldri varme den opp for å smelte isen. Du må alltid la isen tine ved romtemperatur.

Hell aldri rødsprit eller lignende på bergboremaskinen, da slike stoffer vil blande seg med smøringen og føre til større slitasje.

Koble til en vannutskiller

Lengden på slangen mellom kompressoren og vannutskilleren må være nok til at vanddampen er avkjølet og kondensert i slangen før den når vannutskilleren.

Dersom omgivelsestemperaturen er under 0 °C (32 °F) må slangen være kort nok til å forhindre at vannet fryser før det når vannutskilleren.

Smøring

Bergboremaskinen er smurt med olje blandet med trykkluft, som tas til delene som trenger kontinuerlig smøring. Olje blandes inn i trykklufften med et Atlas Copco CLG 30 smøreapparat som kobles til luftledningen.

Bruk Atlas Copco Rock Drill AIR-OIL som er spesialutviklet for BBC, BBD og RH pneumatiske bergboremaskiner. Rock Drill AIR-OIL er raskt biologisk nedbrytbart i henhold til OECD 301 og har en sterk film som kan motstå tung belastning. Hvis Rock Drill AIR-OIL ikke er tilgjengelig, kan du bruke en mineralolje til pneumatiske verktøy med de egenskaper som er anbefalt i tabellen under.

Temperaturområde (°C)	Væsketykkelse (ISO 3448)
-30 til 0	ISO VG 32-68
-10 til +20	ISO VG 68-100
+10 til +50	ISO VG 100-150

Trykkjustering

Lufttrykk

Sjekk at kompressoren kan levere nødvendig lufttrykk på 4–6 bar til verktøyet.

1. Høyt trykk forårsaker dårlige driftsforhold og omfattende slitasje.
2. Lavt trykk fører til lav borehastighet.

Justere rett lufttrykk

Bruk Atlas Copco (9090 0550 80) trykkmåler til å sjekke lufttrykket når bergboremaskinen er i drift. Trykket bør måles nær luftinntaknippelen. Maksimalt tillatt arbeidstrykk er 6 bar.



Trykkmåleren er utstyrt med en nål som trykkes inn i slangen for å måle trykket innvendig.

Borestål

▲ ADVARSEL Utløst innsetningsverktøy

Hvis verktøyholderen på maskinen ikke er satt i en låst posisjon kan det innsatte verktøyet utløses med en kraft, som kan forårsake personskade.

- ▶ Før du skifter innsetningsverktøyet, stopp maskinen, slå av luftkompressoren og tøm maskinen for luft ved å sette i gang start og stopp knappen.

Før du monterer borestålet

Sjekk at spindelen til verktøyet er av korrekt størrelse og lengde for chucken som brukes. Spindelen må være ren og verktøyet må være i god stand. Spindler som er kuttet, avrundet, skjeve eller for harde i støtenden vil operere ueffektivt og forårsake tidlige feil med stempellet.

Undersøk borestålet:

Et sløvt borestål vil redusere borehastigheten og overbelaste boremekanismen. Når du endrer borestål må du sørge for at det nye borestålet er i korrekt størrelse i henhold til ditt forrige bor.

Før du borer, må du sjekke at spylehullet i borestålet ikke er blokkert.

▲ FORSIKTIG Varmt innsetningsverktøy

Tuppen på innsetningsverktøyet kan bli varmt og skarpt når det brukes. Berøring kan føre til brannskader eller kuttskader.

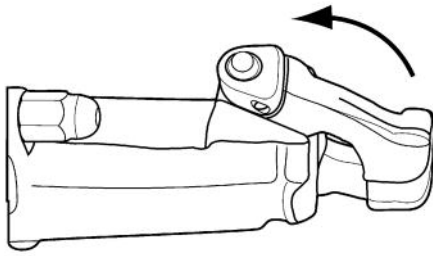
- ▶ Et varmt eller skarpt innsetningsverktøy må ikke berøres.
- ▶ Vent til innsetningsverktøyet er avkjølt før du utfører vedlikeholdsarbeid.

LES DETTE Kjøøl aldri ned et varmt innsetningsverktøy i vann. Det kan resultere i sprøhet og at skader oppstår tidlig.

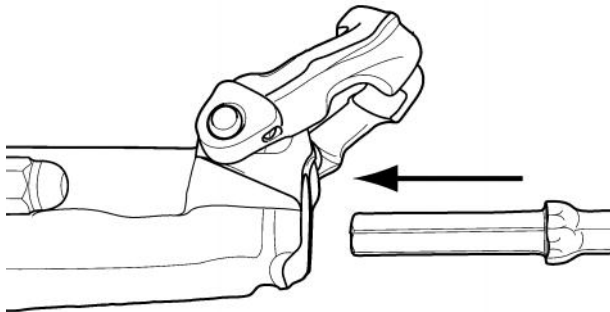
Montere borestålet

Når du monterer borestålet, må følgende instruksjoner overholdes:

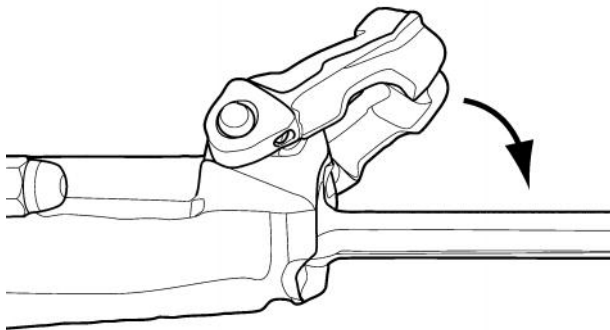
1. Dytt holderen ut i retning av pilen, til frontdelen av holderen har plass til kragen på borestålet.



2. Sett borestålet i chucken.



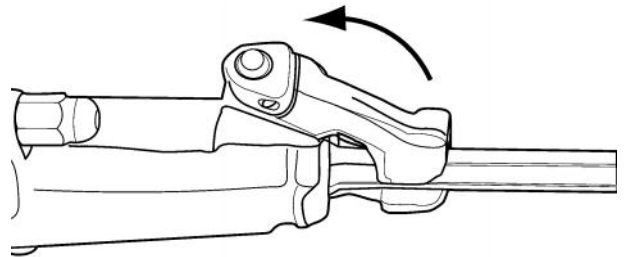
3. Når boret når bunnen, dytt tilbake holderen for å låse det på plass.



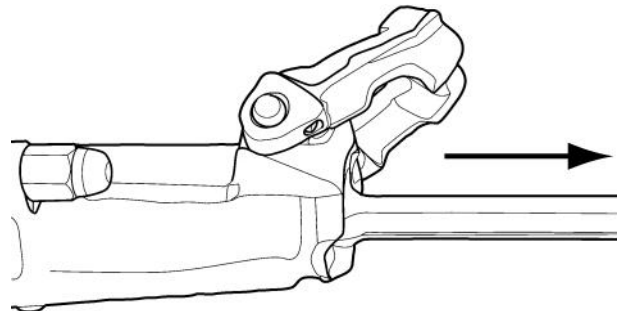
Fjerne borestålet

Når du fjerner borestålet, må følgende instruksjoner overholdes:

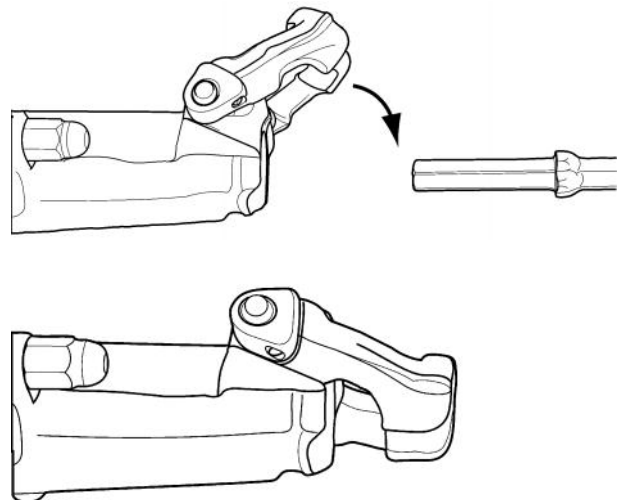
1. Dytt holderen utover i retning av pilen til kragen til borestålet frigjør seg fra frontdelen på holderen.



2. Trekk borestålet ut.



3. Dytt tilbake holderen.



Drift

▲ ADVARSEL Utilsiktet start

Utilsiktet start av maskinen kan forårsake skade.

- Hold hendene unna start- og stoppknappene til du er klar til å begynne arbeidet.
- Lær om hvordan maskinen slås av i tilfelle det skulle oppstå en nødssituasjon.
- Stopp alltid maskinen umiddelbart hvis strømtilførselen avbrytes.

Forberedelser før du starter

Sjekk boreutstyret

- ◆ Sjekk at hele boreutstyret er i god stand.
- ◆ Sjekk at anslagsflaten til borestålets spindel er flat, uten noen tegn på slitasje.
- ◆ Sjekk at luftinntaket og utblåsningsportene ikke blokkeres.
- ◆ Sjekk at spyleluftshullene i borestålet og boret ikke er blokkert og at spyleluft og vann strømmer gjennom uten hindring.
- ◆ Forsikre deg om at luftfilteret (plassert ved luftnippelen) er rent og ikke opprevet eller vrent.
- ◆ Kontroller at alle koblinger er stramme og sikret mot lekkasje.

▲ FARE Piskende luftslange

En trykkluftslange som løsner kan slå omkring seg med stor kraft, og forårsake personskade eller død.

- ▶ Sjekk at trykkluftslangene og koblingene ikke er skadet.
- ▶ Sjekk at alle trykklufttilkoblingene er skikkelig festet.

Blås ut luftslangen

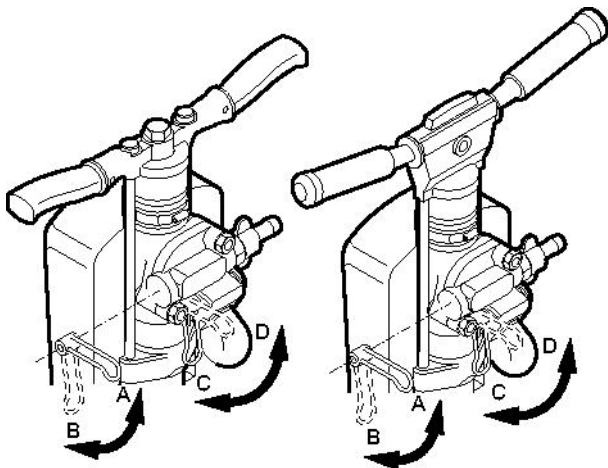
- ◆ Hver dag før bruk av bormaskinen, må luftslangen blåses ren for skitt og fuktighet.

Fyll opp smøreapparatet med olje

- ◆ Sjekk at chucken og borets spindel alltid er dekt med et lag med olje.

Kontroller

Gasspak

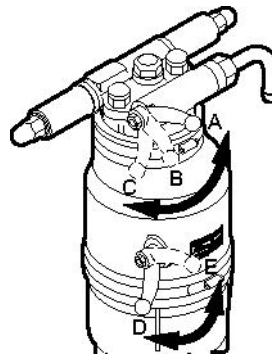


RH 571-5L/LS

RH 572E

Bergboremaskinen er utstyrt med en gasspak for å regulere trykkluft til støtmekanismen og en blåsespak for ekstra luftspyling.

- A. Gassventil lukket (stopp-posisjon)
- B. Gassventil helt åpen
- C. Blåseventil lukket (stopp-posisjon)
- D. Blåseventil helt åpen



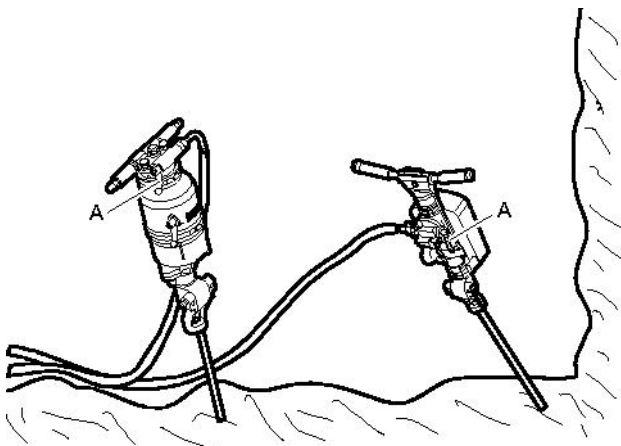
RH 658L/LS

Bergboremaskinen er utstyrt med en gasspak for å regulere trykkluft til støtmekanismen og en blåsespak for ekstra luftspyling.

- A. Gassventil lukket (stopp-posisjon)
- B. Gassventil halvveis åpen
- C. Gassventil helt åpen
- D. Blåseventil lukket (stopp-posisjon)
- E. Blåseventil helt åpen

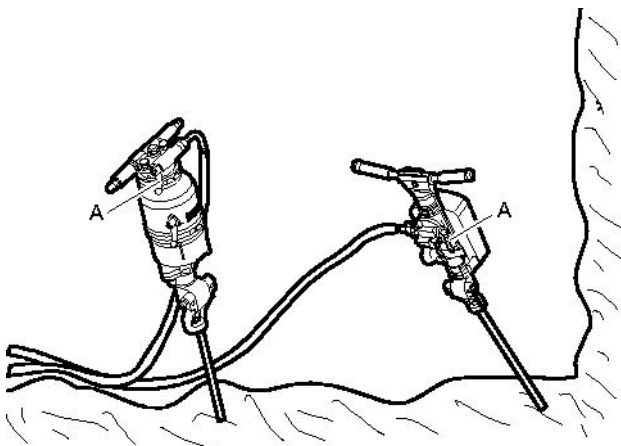
Start og stopp

Starte bergboremaskinen



1. Åpne hovedventilen til trykkluften.
2. Still opp bormaskinen slik at borestålet kommer i kontakt med borehullsåpningen.
3. Skyv gasspaken (A) litt framover, slik at støt- og roteringsmekanismene starter.
4. Bor først med redusert trykkraft.
5. Skyv gasspaken (A) helt fram når borestålet har fått godt feste i arbeidsmaterialet.

Stoppe bergboremaskinen



1. Skyv gasspaken (A) bakover til lukket posisjon. Dette vil stoppe støt- og roteringsmekanismene.

Bruk

Boring

- ◆ Bruk vernesko, hansker, hjelm, hørselsvern og støtsikkert øyevern med sidebeskyttelse.
- ◆ Hold en stabil arbeidsstilling og hold alltid maskinen med begge hendene.
- ◆ Hold innsetningsverktøyet hardt mot arbeidsflaten før du starter maskinen.

Når man tar en pause

- ◆ Under alle pauser må maskinen settes unna slik at det ikke er noen risiko for utilsiktet start. Forsikre deg om at maskinen er lagt på bakken, slik at den ikke kan falle.
- ◆ Ved lange pauser eller når man forlater arbeidsplassen: Slå av strømtilførselen og tøm maskinen for luft ved å sette i gang start- og stopp-knappen.

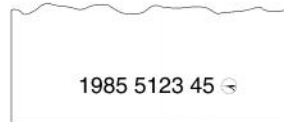
Vedlikehold

Jevnlig vedlikehold er en grunnforutsetning for fortsatt sikker og effektiv bruk av maskinen. Følg vedlikeholdsinstruksjonene nøye.

- ◆ Rengjør maskinen før du starter vedlikeholdet på den for å unngå å bli utsatt for skadelige stoffer. Se „Støv- og røykfarer”
- ◆ Bruk bare autoriserte deler. Skade eller feilfunksjon som skyldes bruk av uautoriserte deler blir ikke dekket av garantien eller produktansvaret.
- ◆ Når mekaniske deler rengjøres med løsemidler, må gjeldende helse- og sikkerhetsforskrifter følges, og man må sørge for tilstrekkelig ventilasjon.
- ◆ For større vedlikehold av maskinen, kontakt ditt nærmeste autoriserte verksted.
- ◆ Kontroller at maskinens vibrasjonsnivå er normalt etter hver service. Hvis ikke, må du kontakte nærmeste autoriserte verksted.

Forskjeller mellom originale og uoriginale deler

Når du kjøper en del, må du først sjekke at det er en Atlas Copco-del. De fleste delene kan identifiseres.



Bergboremaskinen er vanligvis merket med et delenummer og Atlas Copco-identitetsmerket som er en sirkel med en bergboremaskin. I noen få tilfeller er delen enten bare merket med sirkelen eller delenummeret.

Gummi og plastdeler er vanligvis ikke merket.

Konkurrenter som kopierer våre deler merker ofte store, dyre deler. Noen deler har kun delenummeret, men noen av dem har også et identitetsmerke i form av initialene for navnet på fabrikanten. Delenumre på uoriginale deler er vanligvis stemplet for hånd som fører til uregelmessigheter. Delenumrene som stemples av Atlas Copco er regelmessige og de individuelle tallene er av samme størrelse. I tillegg er dybden til tallene og mellomrommet mellom tallene i hver gruppe det samme.

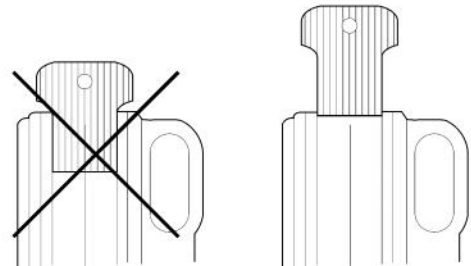
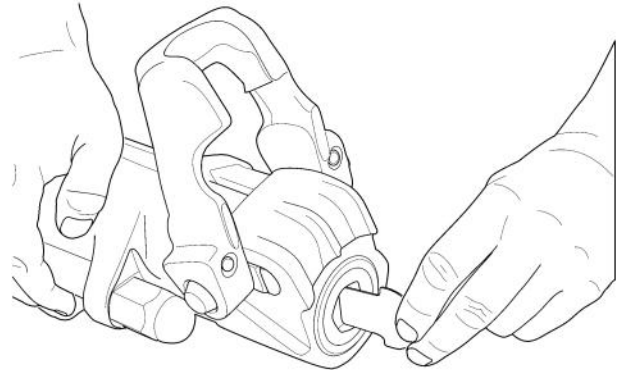
Hver dag

Før du foretar noe vedlikehold eller skifte av innsetningsverktøyet på trykkluftmaskiner, må du alltid slå av lufttilførselen og tappe ut luften fra maskinen ved å trykke ned start og stoppavtrekkeren. Koble deretter luftslangen fra maskinen.

- ◆ Rengjør og undersøk maskinen og funksjonene dens hver dag før du begynner å jobbe med den.
- ◆ Utfør en generell inspeksjon for lekkasje og skade.
- ◆ Sjekk at luftinntaknippelen er strammet til, og at klokoplingen ikke er skadet.
- ◆ Sjekk at gasshåndtaket fungerer. Forsikre deg om at den beveger seg fritt opp og ned.
- ◆ Sjekk at holderen fungerer. Forsikre deg om at den holder borestålet på plass.
- ◆ Bytt ut skadede deler umiddelbart.
- ◆ Skift ut slitte komponenter i god tid.
- ◆ Kontroller de gjennomgående boltene til maskinen. Forsikre deg om at de er godt festet.
- ◆ Hvis maskinen er utstyrt med lyddemper, må du sjekke om den er skadd.

Sjekk slitasje

1. Sjekk slitasjen i chuckbøssingen ved hjelp av Atlas Copco (**3091 0038 00**)-måleren (22 mm). Hvis slitasjen er for stor vil borestålets spindel fortære slites ut eller bøyes. Dette vil føre til motorstopp og økt forbruk av borestål.

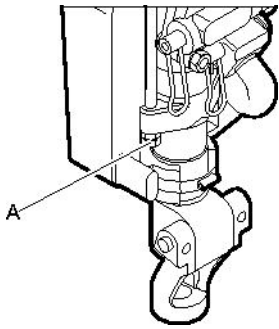


2. Sjekk slangene, koblinger og kontroller for lekkasje og skade.
3. Sjekk at bergboremaskinen mottar nok smøring. Fyll opp smøreapparatet etter behov.
4. Tøm ut vannutskilleren.

Periodisk vedlikehold

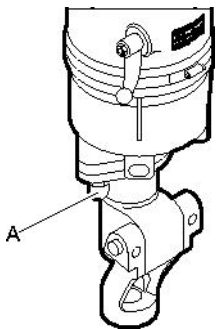
Etter en driftsperiode på ca 100 arbeidstimer eller tre ganger i året, må maskinen demonteres og alle deler renses og sjekkes. Dette arbeidet må utføres av autorisert personell som er opplært til denne oppgaven.

Tiltrekkingsmoment



RH 571-5L/LS, RH 572E

A. Sideboltnutter, 90 Nm (66 ft.lbf)



RH 658L/LS

A. Sideboltnutter, 125 Nm (92 ft.lbf)

Skadete deler

Slitte eller ødelagte deler må alltid studeres nøye før de erstattes. De kan gi viktig informasjon om boremaskinens tilstand og måten den brukes og vedlikeholdes på.

Problem	Årsak
Ståldeler har en blåaktig farge	Delene har blitt utsatt for ekstrem varme. Dette kan forårsakes av utilstrekkelig smøring eller tomgang
Ståldeler har små, nesten mikroskopiske sprekker på slitte overflater	Se over
Uregelmessig dannelse av hull på overflaten av bronsedeler	Se over
Kuttemerker	Sekundær skade Skitt inni boremaskinen
	Indre feiljustering på grunn av ujevn stramming av sideboltene

Lagring

- Du må alltid smøre bergboremaskinen godt med olje før du legger den vekk.
- Lagre maskinen på et rent og tørt sted.
- Kontroller at ingen fremmede objekter kommer inn i maskinen.
- Beskyttet chocken med plastpluggen som følger med maskinen. Eller bruk en treplugg eller en ren bomullsfille.
- Ved lengre oppbevaring, tøm en mengde olje direkte inn i luftinntaket til bergboremaskinen og slå deretter på luften for et øyeblikk. Dette vil beskytte maskinen fra korrosjon.

Avhending

En utslitt maskin må behandles og avhendes på en slik måte at flest mulig deler av materialet kan resirkuleres og at negativ innvirkning på miljøet blir holdt så lavt som mulig og i henhold til lokale forskrifter.

Tekniske data

Maskindata

Modell	Delenummer	Stempel diameter mm (in.)	Slaglengde mm (in.)	Total lengde mm (in.)	Vekt kg (lb)	Spindeldimensjon mm (in.)
RH 571-5L	8311 0301 29	55 (2,16)	60 (2,36)	510 20	17,8 (39,2)	22 x 108 (7/8 x 4 1/4)
RH 571-5LS	8311 0301 37	55 (2,16)	60 (2,36)	510 20	18,9 (41,7)	22 x 108 (7/8 x 4 1/4)
RH 572E	8311 0301 78	55 (2,16)	60 (2,36)	583 23	22,8 (50,2)	22 x 108 (7/8 x 4 1/4)
RH 658L	8311 0302 86	65 (2,56)	59 (2,32)	565 22 1/4	24,0 (52,9)	22 x 108 (7/8 x 4 1/4)
RH 658LS	8311 0302 87	65 (2,56)	59 (2,32)	565 22 1/4	25,0 (55,1)	22 x 108 (7/8 x 4 1/4)

Modell	Luftforbruk (6 bar) l/s (foot ³ /min)	Slagfrekvens (6 bar) Hz	Hulldiameter mm (in.)
RH 571-5L	39 (83)	35	28-34 (1,10-1,34)
RH 571-5LS	39 (83)	33	28-34 (1,10-1,34)
RH 572E	37 (78)	34	28-34 (1,10-1,34)
RH 658L	58 (123)	34	29-40 (1,14-1,57)
RH 658LS	58 (123)	34	29-40 (1,14-1,57)

Støy- og vibrasjonsdeklarasjoner

Garantert lydeffektsnivå **L_w** iht. ISO 3744 iht. direktiv 2000/14/EC.

Lydtrykknivå **L_p** iht. ISO 11203.

Vibrasjonsverdi **A** og usikkerhet **B** bestemt i henhold til ISO 20643. Se tabellen „Støy og vibrasjonsdata” for verdiene A, B etc.

Disse verdiene er oppnådd ved laboratorietesting i henhold til de meddelte direktiver eller standarder og er hensiktsmessig for sammenligning med de erklærte verdiene av andre verktøy testet i samsvar med de samme direktivene eller standarder. Disse meddelte verdiene er ikke tilstrekkelige for bruk i risikotaksering og verdier målt på individuelle arbeidsplasser kan være høyere. De faktiske eksponeringsverdiene og risikoen for skade opplevd av en individuell bruker er unike og avhenger av arbeidsmåten, hvilket materiale maskinen brukes på, i tillegg til eksponeringstid og brukerens fysiske tilstand, og maskinens tilstand.

Vi, Atlas Copco Construction Tools AB, kan ikke holdes ansvarlige for konsekvenser oppstått ved bruk av deklarete verdier, i stedet for verdier som reflekterer den faktiske eksponeringen, i en individuell risikotaksering på en arbeidsplass har vi ikke kontroll over situasjonen over.

Dette verktøyet kan forårsake hånd-arm vibrasjonssyndrom hvis bruken ikke er tilstrekkelig godt utført. En EU-guide om hvordan man kan håndtere vibrasjoner i hånd og arm finner du her:

<http://www.humanvibration.com/EU/VIBGUIDE.htm>

Vi anbefaler et program på helsekontroll for å oppdage tidlige symptomer som kan relateres til vibrasjonseksponering, slik at ledelsesprosedyrene kan modifiseres for å hjelpe til med å forhindre svekkelser i framtiden.

Støy- og vibrasjonsdata

Modell	Lyd		Vibrasjon	
	Oppgitte verdier		Oppgitte verdier	
	Lydtrykk	Lydeffekt	Tre akseverdier	
	ISO 11203	2000/14/EC	ISO 20643	
	Lp r=1m dB(A) rel 20µPa	Lw garantert dB(A) rel 1pW	A m/s ² verdi	B m/s ² spredning
RH 571-5L	106	119	23,2	2,8
RH 571-5LS	99	112	23,2	2,8
RH 572E	100	113	9,7	1,9
RH 658L	106	116	21,2	2,6
RH 658LS	99	112	21,2	2,6

Tilbehør

Beskrivelse	Merknad	Antall	Dele nummer
CLG 30, Europeisk type	For både mineralolje og syntetisk olje	1	8202 5102 39
BLG 30, Europeisk type	For mineralolje	1	8202 5102 05
VAM 01, Europeisk type	Luftstrøm <50 l/s (106 ft ³ /min)	1	8092 0110 58
VAM 5A, Europeisk type	Luftstrøm <120 l/s (254 ft ³ /min)	1	8092 0110 82
Gummislange, forhåndsmontert	20 mm (¾")	1	9030 2047 00
X-LITE flat slange, universal	20 mm (¾")	1	9030 2115 00
Rock Drill AIR-OIL	4 l	1	8099 0201 04
Rock Drill AIR-OIL	10 l	1	8099 0201 10

EU Samsvarserklæring

EU Samsvarserklæring (EU-direktiv 2006/42/EF)

Vi, Atlas Copco Construction Tools AB, erklærer herved at maskinene listet opp under er i samsvar med bestemmelsene i EU-direktiv 2006/42/EF (Maskindirektiv), samt de harmoniserte standarderene som nevnes under.

Bergboremaskiner	Delenummer	Pmaks (bar)
RH 571-5L	8311 0301 29	7
RH 571-5LS	8311 0301 37	7
RH 572E	8311 0301 78	7
RH 658L	8311 0302 86	7
RH 658LS	8311 0302 87	7

Autorisert representant til teknisk dokumentasjon:

Erik Sigfridsson
Atlas Copco Constructions Tools AB
Dragonvägen 2
Kalmar

General Manager:

Erik Sigfridsson

Fabrikant:

Atlas Copco Constructions Tools AB
105 23 Stockholm
Sweden

Sted og dato:

Kalmar, 2010-01-01

SVENSKA

Innehåll

Inledning.....	263
Om säkerhetsinstruktionen och bruksanvisningen.....	263
Säkerhetsinstruktioner.....	264
Säkerhetssymboler.....	264
Personliga försiktighetsåtgärder och utbildning.....	264
Personlig skyddsutrustning.....	264
Droger, alkohol eller läkemedel.....	264
Installation, säkerhetsåtgärder.....	264
Drift, säkerhetsåtgärder.....	265
Underhåll, säkerhetsåtgärder.....	268
Förvaring, säkerhetsåtgärder.....	269
Översikt.....	270
Konstruktion och användningsområde.....	270
Arbetsprincipen för en bergbormaskin.....	270
Styrventilsmekanism.....	270
Rotationsmekanism.....	270
Spolning.....	270
Maskinens huvuddelar.....	270
Dekaler.....	271
Typskylt.....	271
Säkerhetsdekal.....	271
Installation.....	271
Uppackning av bergbormaskinen.....	271
Plastskydd.....	271
Montering.....	272
Smörjning.....	272
Slangar och anslutningar.....	272
Åtgärder för att förhindra frysning.....	272
Ansluta en vattenavskiljare.....	272
Smörjning.....	272
Tryckjustering.....	273
Luftryck.....	273
Kalibrera korrekt luftryck.....	273
Borrstål.....	273
Innan borrstålet monteras på plats.....	273
Montera borrstålet.....	273
Ta bort borrstålet.....	274
Drift.....	274
Åtgärder före start.....	275
Kontrollera borrarutrustningen.....	275
Blås ur luftslangen.....	275
Fyll smörjapparaten med olja.....	275
Reglage.....	275
Gasreglage.....	275
Start och stopp.....	276
Starta bergbormaskinen.....	276
Stoppa bergbormaskinen.....	276
Användning.....	276
Borrning.....	276
När du tar rast.....	276

Underhåll.....	276
Skillnader mellan originaldelar och kopior.....	276
Dagligen.....	277
Slitagekontroll.....	277
Regelbundet underhåll.....	277
Åtdragningsmoment.....	278
Skademönster.....	278
Förvaring.....	278
Kassering.....	278
Tekniska specifikationer.....	279
Maskindata.....	279
Buller- och vibrationsdeklaration.....	279
Buller- och vibrationsdata.....	280
Tillbehör.....	280
EG-deklaration om överensstämmelse.....	281
EG-deklaration om överensstämmelse (EG-direktiv 2006/42/EG).....	281

Inledning

Tack för att ni valt en produkt från Atlas Copco. Sedan 1873 har vi arbetat med att hitta nya och bättre sätt att tillgodose våra kunders behov. Vi har under årens lopp utvecklat nyskapande och ergonomiska produktlösningar som har hjälpt kunderna att förbättra och rationalisera det dagliga arbetet.

Atlas Copco har ett starkt globalt försäljnings- och servicenät med kontor och återförsäljare runt om i världen. Våra experter är välutbildade yrkesmän med omfattande produktkännedom och praktisk erfarenhet. Vi kan stå till tjänst med produktsupport och expertkunskap i alla delar av världen så att våra kunder alltid kan arbeta så effektivt som möjligt.

För mer information besök: www.atlascopco.com

Atlas Copco Construction Tools AB

105 23 Stockholm

Sweden

Om säkerhetsinstruktionen och bruksanvisningen

Syftet med säkerhetsinstruktionen och bruksanvisningen är att ge dig kunskap om hur man använder bergborrmaskinen på ett effektivt och säkert sätt. Du får även råd och information om hur du ska utföra det regelbundna underhållet av bergborrmaskinen.

Innan du använder bergborrmaskinen för första gången måste du läsa igenom dessa instruktioner noggrant och vara säker på att du förstår dem helt och hållet.

Säkerhetsinstruktioner

För att minska risken för att du själv eller andra ska råka ut för allvarliga skador eller dödsfall bör du läsa och förstå denna Säkerhetsinstruktion och bruksanvisning innan du installerar, använder, reparerar, underhåller eller byter tillbehör på maskinen.

Sätt upp denna Säkerhetsinstruktion och bruksanvisning på arbetsplatsen, dela ut kopior till de anställda och se till att alla läser den innan de använder eller utför service på maskinen.

Dessutom ska användaren eller användarens arbetsgivare genomföra en bedömning av de specifika risker som kan förekomma varje gång maskinen är i drift.

Säkerhetssymboler

Signalorden Fara, Varning och Varsamhet har följande betydelser:

FARA	Indikerar en överhängande farlig situation som – om den inte undviks – kommer att leda till dödsfall eller allvarlig personskada.
VARNING	Indikerar en farlig situation som – om den inte undviks – kan leda till dödsfall eller allvarlig personskada.
VARSAMHET	Indikerar en farlig situation som – om den inte undviks – kan leda till lindrig eller måttlig personskada.

Personliga försiktighetsåtgärder och utbildning

Endast behörig och utbildad personal får använda maskinen eller utföra underhåll på den. Personalen måste orka hantera verktygets volym, vikt och kraft. Använd alltid sunt förnuft och gott omdöme.

Personlig skyddsutrustning

Använd alltid godkänd skyddsutrustning. Maskinanvändarna och alla andra personer som vistas inom arbetsområdet måste bära minst följande skyddsutrustning:

- Skyddshjälm
- Hörselskydd
- Slagtåliga skyddsglasögon med sidoskydd
- Andningskydd, vid behov
- Skyddshandskar

- Lämpliga skyddsskor
- Lämplig arbetsoverall eller liknande kläder (inte löst sittande plagg) som täcker armar och ben.

Droger, alkohol eller läkemedel

▲ VARNING Droger, alkohol eller läkemedel

Droger, alkohol och läkemedel kan påverka ditt omdöme och koncentrationsförmåga. Dålig reaktionsförmåga och felbedömningar kan leda till allvarliga olyckor eller dödsfall.

- ▶ Använd inte maskinen när du är trött eller påverkad av alkohol, droger eller läkemedel.
- ▶ Personer som är påverkad av alkohol, droger eller läkemedel får inte använda maskinen.

Installation, säkerhetsåtgärder

▲ FARA Kastande luftslang

En tryckluftsslang som lossnar kan kastas runt och leda till personskador eller dödsfall. För att minska risken för detta:

- ▶ Kontrollera att tryckluftsslangen och anslutningarna inte är skadade, byt ut vid behov.
- ▶ Kontrollera att alla tryckluftsanslutningar är riktigt anslutna.
- ▶ Bär aldrig en tryckluftsmaskin i luftslangen.
- ▶ Försök aldrig koppla isär en tryckluftsslang som är trycksatt. Stäng först av tryckluftsförsörjningen på kompressorn och avlufta sedan maskinen genom att aktivera start- och stoppanordningen.
- ▶ Rikta aldrig en tryckluftsslang mot dig själv eller någon annan. För att undvika risken för personskador ska tryckluft inte användas för att blåsa bort till exempel damm, smuts och liknande från kläderna.
- ▶ Använd inte snabbkopplingar till verktygsfästet. Använd härdade slanganslutningar med stålgångor (eller material med motsvarande stöthållfasthet).
- ▶ Vid användning av universalvridkopplingar (klokkopplingar) rekommenderas montering av låssprintar samt användning av säkerhetsvajar för att skydda vid eventuella fel på anslutningen mellan slang och verktyg eller mellan slangar.

▲ VARNING Utslungat insatsverktyg

Om maskinens verktygshållare inte är låst kan insatsverktyget kastas ut med stor kraft och förorsaka personskador.

- ▶ Starta inte maskinen under byte av insatsverktyg.
- ▶ Stanna maskinen, stäng av strömförsörjningen och lufta maskinen genom att aktivera start- och stoppanordningen innan byte av insatsverktyg eller tillbehör sker.
- ▶ Rikta inte insatsverktyget mot dig själv eller någon annan.
- ▶ Se till att insatsverktyget är ordentligt monterat och att verktygshållaren är låst innan maskinen startas.
- ▶ Kontrollera låsfunktionen genom att dra insatsverktyget utåt med kraft.

▲ VARNING Rörligt/löst insatsverktyg

En felaktig dimension på insatsverktygets nacke kan leda till att insatsverktyget tappas eller glider ur under användningen. Risk för allvarliga skador eller klämskador på fingrar och händer.

- ▶ Kontrollera att nacken på insatsverktyget har rätt dimensioner för maskinen som ska användas.
- ▶ Insatsverktyg utan krage får inte användas.

Drift, säkerhetsåtgärder**▲ FARA Explosionsrisk**

Om ett varmt insatsverktyg kommer i kontakt med ett sprängämne kan en explosion inträffa. Vid arbete på vissa material och användning av vissa material i maskindelar kan gnistbildning eller antändning förekomma. Explosioner kan orsaka allvarliga personskador eller dödsfall.

- ▶ Använd aldrig maskinen i explosiva miljöer.
- ▶ Använd inte maskinen nära brännbara material, ångor eller damm.
- ▶ Kontrollera att det inte finns några okända gaskällor eller sprängämnen i närheten.
- ▶ Borra aldrig i ett gammalt hål.

▲ VARNING Oförutsedda rörelser

Insatsverktyget utsätts för hög belastning när maskinen används. Insatsverktyget kan gå sönder på grund av materialutmattning efter en viss tids användning. Om insatsverktyget går sönder eller fastnar kan maskinen göra plötsliga eller våldsamma kast som kan orsaka personskador. Dessutom kan skador uppstå om du tappar balansen eller halkar.

- ▶ Se till att du alltid står stabilt med fötterna lika brett isär som dina axlar och med kroppen i balans.
- ▶ Kontrollera alltid utrustningen före användning. Använd inte utrustningen om du misstänker att den är skadad.
- ▶ Se till att handtagen är rena och fria från smörjfett och olja.
- ▶ Håll fötterna på avstånd från insatsverktyget.
- ▶ Stå stadigt och håll alltid i maskinen med bägge händerna.
- ▶ Borra aldrig i ett gammalt hål.
- ▶ Starta inte maskinen när den ligger på marken.
- ▶ Sitt inte gränsle över maskinen med ena benet över handtaget.
- ▶ Slå inte på eller på annat sätt missbruka utrustningen.
- ▶ Kontrollera regelbundet att insatsverktyget inte är slitet och kontrollera om det finns några tecken på skador eller synliga sprickor.
- ▶ Var uppmärksam och fokuserad på arbetsuppgiften.

▲ VARNING Risk för roterande maskin

Om verktyget fastnar under drift kommer hela maskinen att börja rotera om du förlorar greppet om den. Denna oväntade rotation av hela maskinen kan orsaka allvarliga personskador eller dödsfall.

- ▶ Stå stadigt och håll alltid i maskinen med båda händerna.
- ▶ Se till att handtaget/handtagen är rena och fria från smörjfett och olja.
- ▶ Borra aldrig i ett gammalt hål.

▲ VARNING Risk för att föremål fastnar

Halssmycken, hår, handskar och kläder kan fastna eller dras in i roterande insatsverktyg eller tillbehör. Detta kan orsaka kvävning, slit- och skärsår eller dödsfall. För att minska risken:

- ▶ Ta aldrig tag i eller rör vid ett roterande borrarstål.
- ▶ Undvik att bära kläder, halssmycken eller handskar som kan fastna.
- ▶ Använd hårnät om du har långt hår.

▲ VARNING Faror med damm och ångor

Damm och/eller ångor som uppstår eller sprids vid användning av maskinen kan orsaka allvarliga permanenta sjukdomar i andningsvägar, andra sjukdomar eller fysiska skador (till exempel silikos eller andra obotliga och potentiellt dödliga lungsjukdomar, cancer, fosterskador och/eller hudinflammationer).

Vissa typer av damm och ångor som uppstår vid borring, brytning, hamrande, sågning, slipning eller andra byggrelaterade aktiviteter innehåller substanser som enligt Staten Kalifornien och andra myndigheter kan orsaka sjukdomar i andningsvägar, cancer, fosterskador eller andra fortplantningsskador. Några exempel på sådana kemikalier är:

- Kristallin kiseldioxid, cement och andra produkter för murning.
- Arsenik och krom från kemiskt behandlat gummi.
- Bly från blybaserade målarfärger.

Damm och ångor i luften kan vara osynliga för blotta ögat. Lita därför inte på att kunna avgöra om det finns damm eller ångor i luften med bara ögats hjälp.

Vidta samtliga följande åtgärder för att minska risken för exponering för damm och ångor:

- ▶ Gör en platsspecifik riskbedömning. Riskbedömningen bör inkludera damm och ångor orsakade av användning av maskinen samt eventuella störningar från existerande damm.
- ▶ Använd lämpliga tekniska kontrollåtgärder för att minimera mängden damm och ångor i luften och minimera påbyggnad på utrustning, ytor, kläder och kroppsdelar. Exempel på kontrollåtgärder innefattar utsugsventilation och dammuppsamlare, vattenspray och våtbörning. Kontrollera om möjligt damm och ångor vid källan. Se till att tekniska åtgärder införs, upprätthålls och används på korrekt sätt.
- ▶ Se till att bära, underhålla och använda andningsskydd på korrekt sätt, i enlighet med arbetsgivarens instruktioner och gällande arbetsmiljöbestämmelser. Andningsskyddet måste ge ett effektivt skydd för det aktuella ämnet (och i förekommande fall vara godkänt av berörd myndighet).
- ▶ Arbeta i väl ventilerade utrymmen.
- ▶ Om maskinen är försedd med utblås bör detta riktas så att störningarna från damm i dammfyllda miljöer reduceras.
- ▶ Använd och underhåll maskinen i enlighet med rekommendationerna i säkerhetsinstruktioner och bruksanvisning.

- ▶ Välj, underhåll samt byt ut förbrukningsartiklar/insatsverktyg/övriga tillbehör enligt rekommendationerna i säkerhetsinstruktioner och bruksanvisning. Felaktigt val eller bristande underhåll på förbrukningsvaror/insatsverktyg/övriga tillbehör kan leda till en onödig ökning av mängden damm eller ångor.
- ▶ Använd tvättbara skyddskläder eller skyddskläder för engångsbruk på arbetsplatsen. Duscha och byt om till rena kläder innan du lämnar arbetsplatsen för att minska exponering för damm och ångor för såväl dig själv som andra personer, i bilar, hem samt andra platser.
- ▶ Undvik att äta, dricka eller använda tobaksprodukter på platser med damm och ångor.
- ▶ Tvätta händer och ansikte så snart som möjligt när du lämnar exponeringsområdet och alltid innan du äter, dricker, använder tobaksprodukter eller har kontakt med andra människor.
- ▶ Följ alla tillämpliga lagar och bestämmelser, inklusive arbetsmiljöbestämmelser.
- ▶ Delta i övervakning av luftkvaliteten, medicinska undersökningar samt arbetsmiljöutbildningar som erbjuds av arbetsgivaren eller branschorganisationer i enlighet med arbetsmiljöbestämmelser och -rekommendationer. Rådgör med läkare med relevant kompetens i yrkesmedicin.
- ▶ Arbeta tillsammans med arbetsgivaren och branschorganisationen för att minska exponeringen för damm och ångor på arbetsplatsen och minska riskerna. För att skydda arbetstagare och andra mot skadlig exponering av damm och ångor bör effektiva arbetsmiljöprogram, riktlinjer och metoder tas fram och implementeras, baserade på råd från arbetsmiljöexperter. Rådgör med experter.

▲ VARNING Kringflygande föremål

Defekter i arbetsmaterialet, i tillbehör eller till och med i själva maskinen kan leda till att det finns risk för kringflygande föremål. Under användning kan flisor eller andra föremål från arbetsmaterialet flyga iväg och orsaka personskador genom att träffa maskinanvändaren eller andra personer. För att minska dessa risker:

- ▶ Använd godkänd personlig skyddsutrustning och skyddshjälm, inklusive slagtåliga skyddsglasögon med sidoskydd.
- ▶ Håll obehöriga personer på avstånd från arbetsområdet.
- ▶ Håll arbetsplatsen ren och fri från främmande föremål.
- ▶ Se till att arbetsmaterialet är ordentligt säkrat.

▲ VARNING Risk för flisor

Om insatsverktyget används som slagverktyg kan flisor träffa användaren och orsaka personskador.

- ▶ Använd aldrig insatsverktyg som slagverktyg. Dessa är specialdesignade och värmebehandlade för att endast användas i en maskin.

▲ VARNING Risk för halk-, snubbel- och fallolyckor

Det finns risk för halk-, snubbel- eller fallolyckor, användaren kan till exempel snubbla över slangar eller andra föremål. Halk- snubbel- och fallolyckor kan orsaka skador. För att minska risken för detta:

- ▶ Se alltid till att inga slangar eller andra föremål ligger i vägen för dig eller någon annan person.
- ▶ Se till att alltid stå stabilt med fötterna lika brett isär som dina axlar och med kroppen i balans.

▲ VARNING Risker vid rörelser

När maskinen används för att utföra arbetsrelaterade aktiviteter kan det hända att du upplever obehag i händer, armar, axlar, nacke eller andra delar av kroppen.

- ▶ Stå i en bekväm ställning med fötterna säkert placerade. Undvik onormala ostadiga kroppsställningar.
- ▶ Byte av kroppsställning kan vara ett sätt att undvika obehag och trötthet under utdragna arbetsuppgifter.
- ▶ Rådgör med kvalificerad hälso- och sjukvårdspersonal vid ihållande eller återkommande symptom.

▲ VARNING Vibrationsfaror

Normal och korrekt användning av maskinen utsätter användaren för vibrationer. Regelbunden och frekvent exponering för vibrationer kan orsaka, bidra till eller förvärra skador eller problem i användarens fingrar, händer, handleder, armar, skuldror och/eller nerver och blodtillförsel eller andra kroppsdelar. Detta omfattar försvagningar och/eller permanenta skador eller problem som kan utvecklas gradvis under flera veckor, månader eller år. Sådana skador, eller problem, kan omfatta skador på blodomlopp, nervsystem och leder, men även på andra kroppsstrukturer.

Sluta använda maskinen, underrätta din arbetsgivare och kontakta läkare vid besvär med ihållande återkommande obehag, brännande känslor, stelhet, bultande, domningar, stickningar, värk, försämrad finmotorik eller greppförmåga, om huden vitnar eller andra symptom uppstår vid användning av maskinen eller efter användning av maskinen. Fortsatt användning av maskinen när sådana symptom uppstår kan öka risken för att symptomen förvärras och/eller blir bestående.

Använd och underhåll maskinen enligt rekommendationerna i dessa instruktioner för att undvika onödiga vibrationsökningar.

Följande åtgärder kan bidra till att minska risken för att användaren utsätts för vibrationer:

- ▶ Låt maskinen göra jobbet. Håll inte hårdare i handtaget än vad som behövs för kontroll och säker drift.
- ▶ Om maskinen har vibrationsdämpande handtag, håll dessa i central position och undvika att trycka in handtagen i ändstoppen.
- ▶ När slagmekanismen är aktiverad ska ingen annan del av kroppen komma i kontakt med maskinen förutom dina händer på handtaget/handtagen. Du bör till exempel inte stödja någon del av kroppen mot maskinen eller luta dig mot den för att försöka öka matningskraften. Det är dessutom viktigt att inte hålla inne start- och stoppanordningen när man drar ut insatsverktyget från det krossade materialet.
- ▶ Se till att insatsverktyget är i bra skick (samt att det är vasst om det är ett skärverktyg), har rätt storlek och inte är utslitet. Insatsverktyg som inte underhålls på rätt sätt, som är utslitna eller som har fel storlek gör att arbetet tar längre tid (vilket medför längre exponering för vibrationer) och kan resultera i eller bidra till att användaren utsätts för mer vibrationer.
- ▶ Sluta arbetet omedelbart om maskinen plötsligt börjar vibrera våldsamt. Ta reda på orsaken till de ökade vibrationerna och åtgärda felet innan du återupptar arbetet.

- ▶ Du får inte ta tag i, hålla i eller vidröra insatsverktyget medan maskinen är igång.
- ▶ Delta i hälsokontroller, medicinska undersökningar och utbildningsprogram när arbetsgivaren erbjuder det eller när lagen kräver det.
- ▶ Bär varm klädsel och se till att hålla händerna varma och torra vid arbete under kalla förhållanden.

Se maskinens "Buller- och vibrationsdeklaration", inklusive de deklarerade vibrationsvärdena. Denna information återfinns i slutet av denna Säkerhetsinstruktion och bruksanvisning.

- ◆ Använd rekommenderat lufttryck vid användning av maskinen. Såväl högre som lägre lufttryck kan leda till ökade vibrationer.

▲ FARA Elektriska faror

Maskinen är inte elektriskt isolerad. Om maskinen kommer i kontakt med elektricitet kan allvarliga personskador eller dödsfall inträffa.

- ▶ Använd inte maskinen i närheten av elledningar eller andra elektriska källor.
- ▶ Säkerställ att det inte finns några dolda ledningar eller andra elektriska källor i arbetsområdet.

▲ VARNING Faror med dolda föremål

Under drift kan dolda ledningar och rör utgöra en fara som kan leda till allvarliga personskador.

- ▶ Kontrollera materialets sammansättning innan du påbörjar arbetet.
- ▶ Se upp för dolda ledningar och rör, exempelvis som el, telefon, vatten, gas och avlopp.
- ▶ Stäng omedelbart av maskinen om insatsverktyget verkar ha slagit emot ett dolt föremål.
- ▶ Påbörja inte arbetet igen förrän det är riskfritt att fortsätta.

▲ VARNING Oavsiktlig start

Oavsiktlig start av maskinen kan leda till personskador.

- ▶ Håll händerna borta från start- och stoppanordningen tills arbetet skall påbörjas.
- ▶ Lär dig hur man stänger av maskinen i händelse av nödfall.
- ▶ Släpp omedelbart start- och stoppanordningen vid avbrott i strömförsörjningen.
- ▶ Vid montering/demontering av insatsverktyg, stäng av tryckluftsförsörjningen, lufta maskinen genom att trycka in start- och stoppanordningen samt koppla ifrån maskinen från strömkällan.

▲ VARNING Bullerfaror

Höga ljudnivåer kan orsaka permanenta hörselskador och andra problem som tinnitus (ringande, surrande, visslande eller brummande ljud i öronen). Minska risken och undvik onödigt höga ljudnivåer genom att:

- ▶ Göra en riskbedömning av dessa faror samt införa lämpliga kontroller.
- ▶ Använda och underhålla maskinen i enlighet med rekommendationerna i denna instruktionsbok.
- ▶ Använda, underhålla och byta ut insatsverktyget i enlighet med rekommendationerna i denna instruktionsbok.
- ▶ Om maskinen är försedd med ljuddämpare, kontrollera att denna sitter på plats och är i gott skick.
- ▶ Använd alltid hörselskydd.
- ▶ Använd dämpande material för att förhindra att arbetsmaterialet avger ett "ringande" ljud.

Underhåll, säkerhetsåtgärder

▲ VARNING Maskinmodifieringar

Eventuella modifieringar av maskinen kan leda till att du själv eller andra personer skadas.

- ▶ Modifiera inte maskinen. Modifierade maskiner omfattas inte av garantin eller tillverkarens produktansvar.
- ▶ Använd endast originaldelar, insatsverktyg och tillbehör som är godkända av Atlas Copco.
- ▶ Byt omedelbart ut skadade delar.
- ▶ Byt ut slitna delar i god tid.

▲ OBSERVERA Varmt insatsverktyg

Spetsen på insatsverktyget kan bli varmt och vasst under användning. Att vidröra spetsen kan leda till bränn- eller skärskador.

- ▶ Ta inte på ett varmt eller vasst insatsverktyg.
- ▶ Vänta tills insatsverktyget har svalnat innan du utför något underhåll på maskinen.

▲ VARNING Faror med insatsverktyget

Oavsiktlig aktivering av start- och stoppanordningen vid underhållsarbete eller montering kan orsaka allvarliga skador när strömkällan ansluts.

- ▶ Tänk på att aldrig inspektera, rengöra, montera eller demontera insatsverktyget när strömkällan är ansluten.

Förvaring, säkerhetsåtgärder

- ◆ Förvara maskiner och verktyg på en säker, låst plats utom räckhåll för barn.

Översikt

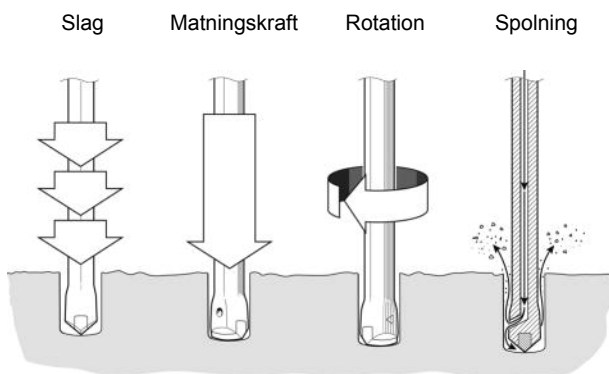
För att minska risken för allvarliga personskador eller till och med dödsfall ska du läsa avsnittet med säkerhetsinstruktionerna på de föregående sidorna i denna bruksanvisning innan du använder maskinen.

Konstruktion och användningsområde

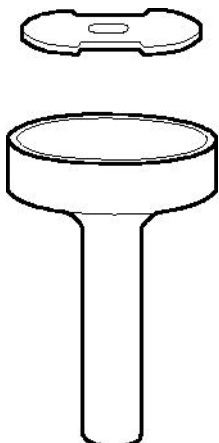
RH 571, RH 572 och RH 658 är tryckluftsdrevna bergbormaskiner avsedda för vertikal borrar, kilhålsborrar och betongborrar vid byggnads- och gruv användning. Ingen annan användning är tillåten.

Kontakta din lokala Atlas Copco-återförsäljare för hjälp med val av korrekt insatsverktyg.

Arbetsprincipen för en bergbormaskin

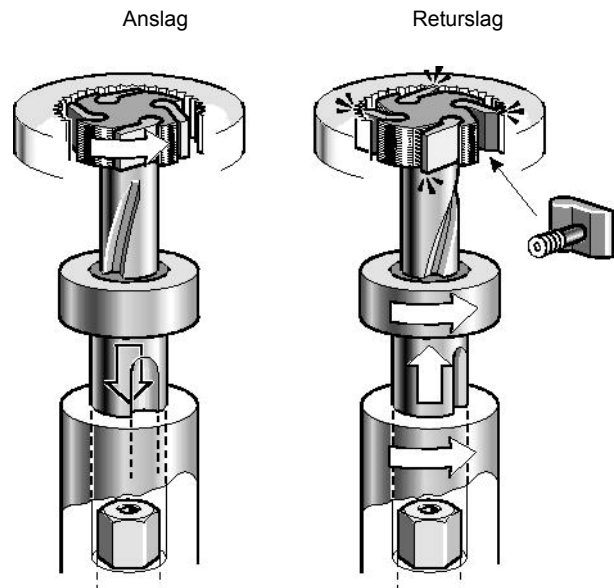


Styrventilmekanism



Ventilen styr luften växelvis från ena änden av kolven till den andra, så att kolven rör sig upp och ner. Kolven överför energin genom borrarstålet till hålets botten.

Rotationsmekanism

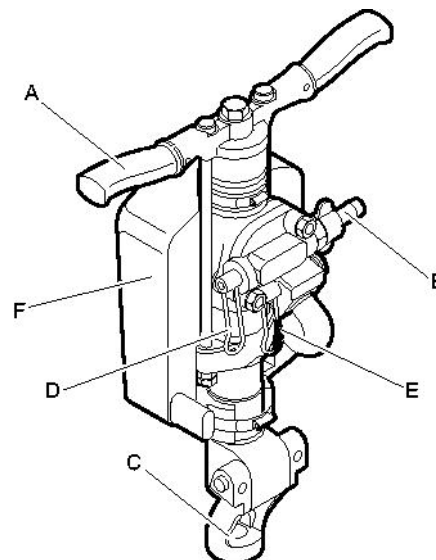


Borrstålet vrids en aning vid varje slag genom spärraxelns rotation. Rotationen sker moturs och utförs vid kolvens returslag.

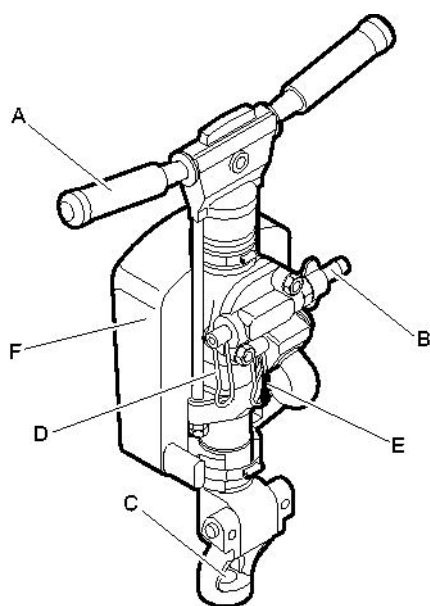
Spolning

Spolningen leds genom ett hål i kolven. Detta innebär att spolluft matas fram så snart som tryckluften sätts på.

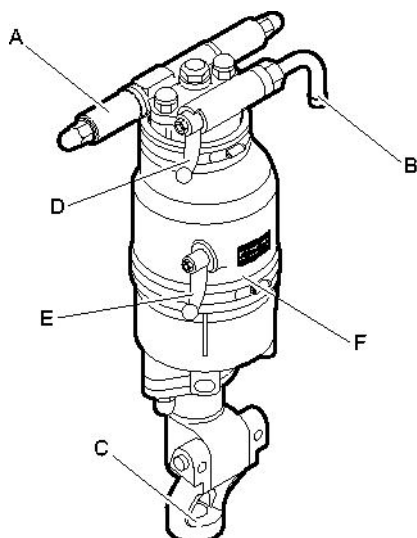
Maskinens huvuddelar



RH 571-5L/LS



RH 572E



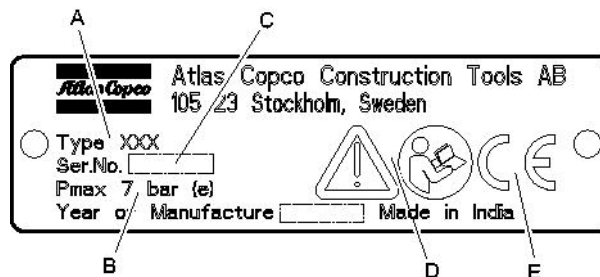
RH 658L/LS

- A. Handtag
- B. Luftnippel
- C. Borrstålshållare
- D. Effektreglage
- E. Reglage för extra tryckluft ("blåsning")
- F. Ljuddämpare (tillval)

Dekaler

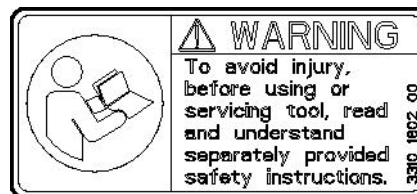
Maskinen är försedd med dekal som innehåller viktig information om personlig säkerhet och maskinunderhåll. Dekalerna ska vara i sådant skick att de enkelt kan läsas. Nya dekal kan beställas med hjälp av reservdelslistan.

Typskylt



- A. Modell
- B. Maximalt tillåtet lufttryck
- C. Serienummer
- D. Varningssymbol ihop med boksymbol innebär att användaren ska läsa igenom säkerhetsinstruktionen och bruksanvisningen innan maskinen används för första gången.
- E. CE-symbolen betyder att maskinen är EG-godkänd. Se den EG-deklaration som medföljer maskinen för närmare information. Om CE-symbolen saknas betyder att maskinen inte är EG-godkänd.

Säkerhetsdekal



För att undvika skador bör du läsa och förstå separat bifogade säkerhetsinstruktioner innan du använder eller underhåller verktyg.

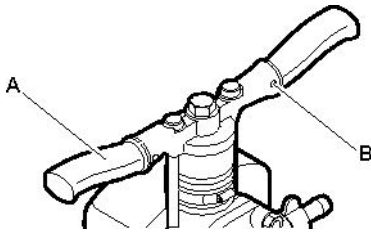
Installation

Uppackning av bergbormaskinen

Plastskydd

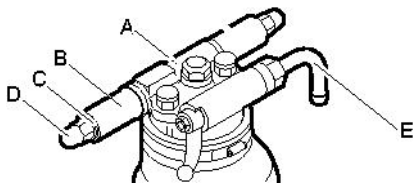
Innan bergbormaskinen används första gången ska alla plastskydd i slangnippel, ventilationshål samt i borrhylsan tas bort.

Montering



RH 571-5L/LS

- 1) Tryck fast bussningarna och handtagen (A) på vardera sidan av bakstycket.
- 2) Säkra handtagen genom att knacka in fjäderpinnarna (B) i bakstycket.



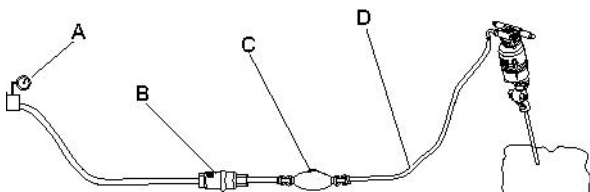
RH 658L/LS

- 1) För in handtagsbulten (A) i bakstycket.
- 2) Placera greppen (B) på vardera sidan av handtagsbulten.
- 3) Säkra greppen med en bricka (C) och en kupolmutter (D) på båda sidor.
- 4) Skruva in slangnippeln (E) i luftintaget ordentligt tills den sluter tätt.

Smörjning

Efter upppackning och montering av verktyget, håll en riklig mängd smörjolja i luftanslutningen.

Slangar och anslutningar



- A. Tryckluftskälla
- B. Vattenavskiljare (tillval)
- C. Smörjapparat (tillval)
- D. Max. 3 meter tryckluftsslang mellan smörjapparaten och maskinen.

- ♦ Kontrollera att korrekt rekommenderat arbetstryck, 6 bar (e), används.
- ♦ Det högsta tillåtna lufttrycket 7 bar (e) får ej överskridas.
- ♦ Blås ur eventuella föroreningar ur tryckluftsslangen innan du ansluter den till maskinen.
- ♦ Välj rätt dimension och längd på tryckluftsslangen. För slanglängder upp till 30 meter bör en slang med en innerdiameter på minst 19 mm (3/4") användas. Om slanglängden är mellan 30 och 100 meter bör en slang med en innerdiameter på minst 25 mm (1") användas.

Åtgärder för att förhindra frysning

Isbildning kan uppstå i ljudämparen när omgivningens lufttemperatur är 0–10 °C (32–50 °F) och den relativa luftfuktigheten är hög.

Maskinen är konstruerad för att förebygga isbildning i ljudämparen. Trots detta kan is under extrema förhållanden bildas i ljudämparen.

Vidtag följande åtgärder för att ytterligare minska risken för isbildning:

- ♦ Använd Atlas Copco Rock Drill AIR-OIL som smörjmedel.
- ♦ Använd vattenavskiljaren VAM 5A.

Om bergborren isar igen får den aldrig värmas upp för att smälta isen. Låt alltid isen töa upp i rumstemperatur.

Håll aldrig denaturerad sprit eller liknande substanser i bergborren, eftersom de påverkar smörjningen negativt och leder till ökat slitage.

Ansluta en vattenavskiljare

Luftslangen mellan kompressorn och vattenavskiljaren måste vara så lång att vattenången kyls och kondenseras i slangen innan den når vattenavskiljaren.

Om omgivningstemperaturen är under 0 °C (32 °F) skall slangen vara så kort att vattnet inte hinner frysa innan det når vattenavskiljaren.

Smörjning

Bergborren smörjs med olja som är blandad i tryckluften. Oljan hamnar på de delar som behöver kontinuerlig smörjning. Olja doseras i tryckluften med hjälp av smörjapparaten Atlas Copco CLG 30 som ansluts till luftledningen.

Använd Atlas Copco Rock Drill AIR-OIL som utvecklats speciellt för de tryckluftsdrivna bergborrarna BBC, BBD och RH. Rock Drill AIR-OIL är helt biologiskt nedbrytbart enligt OECD 301 och ger en stark film som klarar stora belastningar. Om Rock Drill AIR-OIL inte finns tillgänglig används i stället en mineralbaserad olja för tryckluftsverktyg med de egenskaper som rekommenderas i tabellen nedan.

Temperaturområde (°C)	Viskositet (ISO 3448)
-30 till 0	ISO VG 32-68
-10 till +20	ISO VG 68-100
+10 till +50	ISO VG 100-150

Tryckjustering

Lufttryck

Se till att kompressorn kan leverera det lufttryck på 4–6 bar som verktyget kräver.

1. Högt tryck förorsakar ojämn gång och överdrivet slitage.
2. Lågt tryck ger långsam borrhastighet.

Kalibrera korrekt lufttryck

Använd Atlas Copco tryckmanometer (**9090 0550 80**) för att kontrollera lufttrycket då bergborren är igång. Trycket ska mätas nära luftnippeln. Högsta tillåtna arbetstryck är 6 bar.



Tryckmanometern är försedd med en nål som trycks in i slangen för att mäta trycket inuti.

Borrstål

▲ VARNING Utslungat insatsverktyg

Om huven på maskinen inte är låst kan insatsverktyget kastas ut med stor kraft och förorsaka personsador.

- Vid byte av insatsverktyg – stäng av maskinen och tryckluftsförsörjningen och avlufta maskinen genom att aktivera start- och stoppanordningen.

Innan borrarstålet monteras på plats

Kontrollera att verktygets nacke har rätt storlek och längd för den borrhylsa som används. Nacken måste vara ren och insatsverktyget måste vara i gott skick. Nackar som är kantstötta, avrundade, har förlorat sin fyrkantsform eller är för hårda på anslagsänden fungerar ineffektivt och gör att kolven går sönder i förtid.

Kontrollera borrarstålet:

Slöa borrarstål saktar ned borrhastigheten och överbelastar bormekanismen. Vid byte av borrarstål är det viktigt att kontrollera att det nya borrarstålet har rätt storlek för att passa till det tidigare borrhålet.

Kontrollera att spolhålet i borrarstålet inte är igensatt innan borrarningen påbörjas.

▲ OBSERVERA Varmt insatsverktyg

Spetsen på insatsverktyget kan bli varmt och vasst under användning. Att vidröra spetsen kan leda till bränn- eller skärskador.

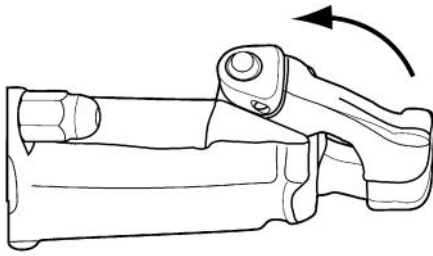
- Ta inte på ett varmt eller vasst insatsverktyg.
- Vänta tills insatsverktyget har svalnat innan du utför något underhåll på maskinen.

OBS! Kyl inte ett varmt insatsverktyg i vatten då detta kan försvaga verktyget och orsaka förtida fel.

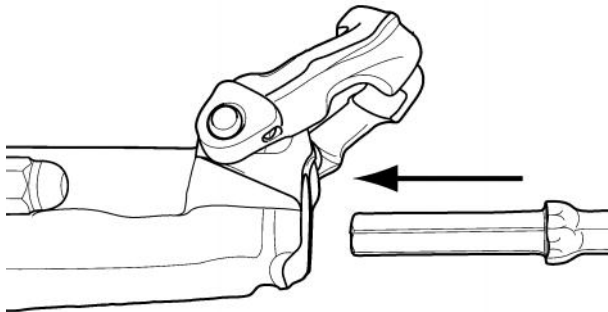
Montera borrarstålet

Följ alltid nedanstående instruktioner vid montering av borrarstål:

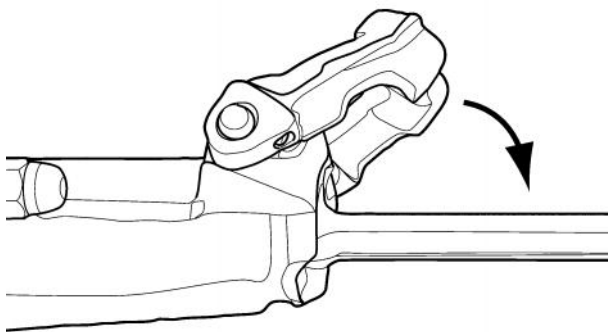
1. Tryck hållaren utåt i pilens riktning tills framdelen på hållaren kan rymma borrstålskragen.



2. Sätt in borrstålet i borrhylsan.



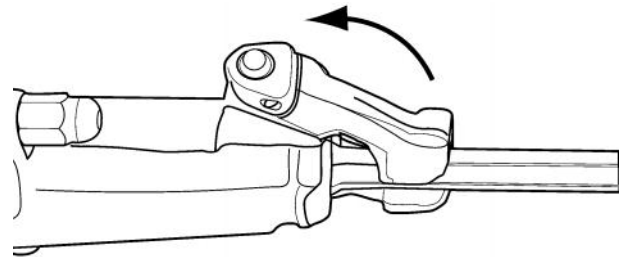
3. När borren når botten ska hållaren skjutas tillbaka för att låsa den.



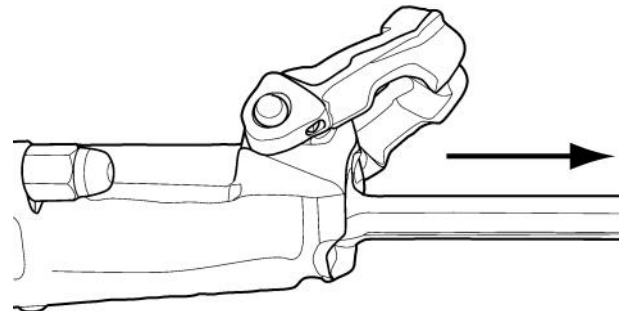
Ta bort borrstålet

Följ alltid nedanstående instruktioner vid borttagning av borrstål:

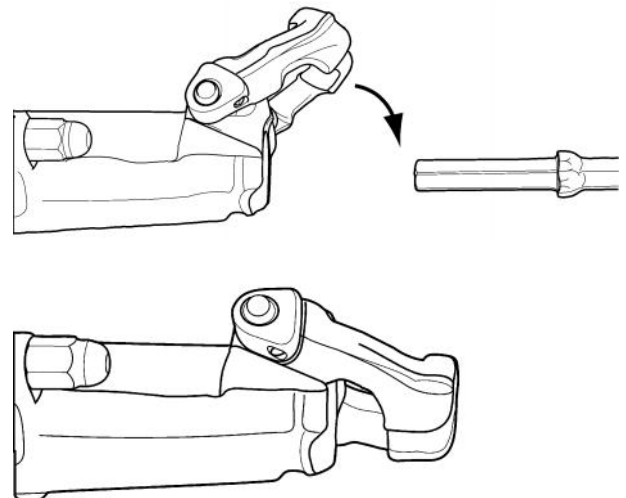
1. Tryck hållaren utåt i pilens riktning tills borrstålskragen frigörs från framdelen på hållaren.



2. Dra ut borrstålet.



3. Tryck tillbaka hållaren.



Drift

▲ VARNING Oavsiktlig start

Oavsiktlig start av maskinen kan leda till personskador.

- ▶ Håll händerna borta från start- och stoppanordningen tills arbetet skall påbörjas.
- ▶ Lär dig hur man stänger av maskinen i händelse av nödfall.
- ▶ Stanna maskinen omedelbart i händelse av störningar i strömförsörjningen.

Åtgärder före start

Kontrollera borrarutrustningen

- ◆ Kontrollera att all borrarutrustning är i gott skick.
- ◆ Kontrollera att borrarstålsnackens slagyta är plan och utan tecken på slitage.
- ◆ Se till att luftintaget och utloppsportarna inte är tilltäppta.
- ◆ Kontrollera att spolhålen i borrarstålet och borrarskäret inte är blockerade och att spolvatten/spolluft flödar igenom utan hinder.
- ◆ Kontrollera att luftfiltret (sitter i luftnippeln) är rent och inte sönderrivet eller deformerat.
- ◆ Se till att anslutningarna är täta och läckagesäkra.

▲ FARA Kastande luftslang

En tryckluftsslang som lossnar kan kastas runt och leda till personskador eller dödsfall.

- ▶ Kontrollera att tryckluftsslangen och anslutningarna inte är skadade.
- ▶ Kontrollera att alla tryckluftsanslutningar är riktigt anslutna.

Blås ur luftslangen

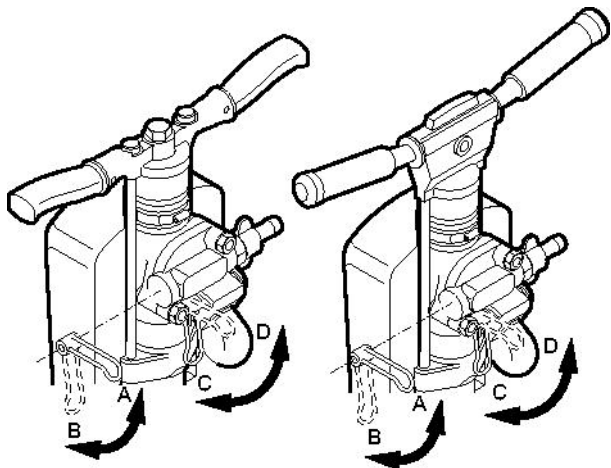
- ◆ Varje dag innan borren används ska luftslangen blåsas ur för att rengöra den från samlad smuts och fukt.

Fyll smörjapparaten med olja

- ◆ Kontrollera att borbussningen och borrarstålsnacken alltid är täckta med en oljefilm.

Reglage

Gasreglage

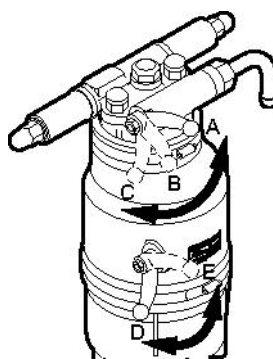


RH 571-5L/LS

RH 572E

Bergbormaskinen är utrustad med ett effektreglage för reglering av tryckluft till slagmekanismen och ett reglage för extra tryckluft (för renblåsning).

- A. Pådragsventilen stängd (stoppläge)
- B. Pådragsventilen helt öppen
- C. Tryckluftsventilen stängd (stoppläge)
- D. Tryckluftsventilen helt öppen



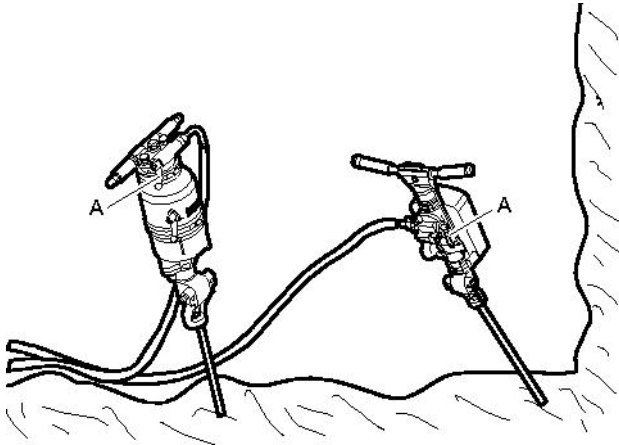
RH 658/LS

Bergbormaskinen är utrustad med ett effektreglage för reglering av tryckluft till slagmekanismen och ett reglage för extra tryckluft (för renblåsning).

- A. Pådragsventilen stängd (stoppläge)
- B. Pådragsventilen halvöppen
- C. Pådragsventilen helt öppen
- D. Tryckluftsventilen stängd (stoppläge)
- E. Tryckluftsventilen helt öppen

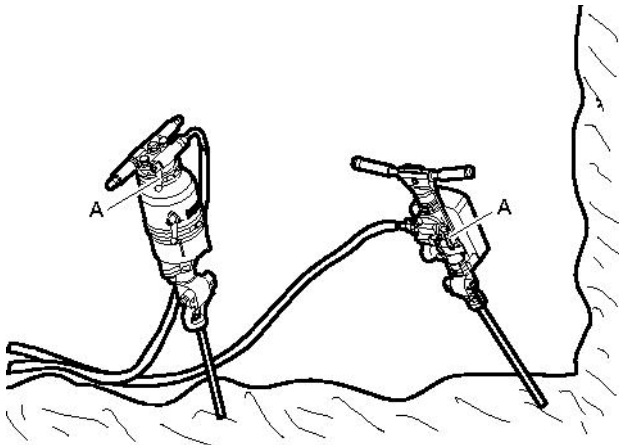
Start och stopp

Starta bergbormaskinen



1. Öppna ventilen för tryckluft.
2. Rikta in bergbormaskinen så att borrhålet vidrör den önskade ansättningspunkten.
3. För effektreglaget (A) framåt något för att starta anslag och rotation.
4. Påbörja hålet med reducerad matningskraft.
5. För effektreglaget (A) helt framåt när borrhålet har fått bra fäste i stenblocket.

Stoppa bergbormaskinen



1. För effektreglaget (A) bakåt till stängt läge för att stänga av anslag och rotation.

Användning

Borrning

- ◆ Använd skyddsskor, handskar, hjälm, hörselskydd och slagtåliga skyddsglasögon med sidoskydd.
- ◆ Stå stadigt och håll alltid maskinen med båda händerna.
- ◆ Håll insatsverktyget stadigt mot arbetsytan innan du startar maskinen.

När du tar rast

- ◆ Vid rast skall maskinen placeras så att den inte startas av misstag. Placera maskinen säkert på marken så att den inte kan falla omkull.
- ◆ Vid längre raster eller om du lämnar arbetsplatsen: Stäng av strömförsörjningen och lufta sedan maskinen genom att aktivera start- och stoppanordningen.

Underhåll

Regelbundet underhåll är en förutsättning för att maskinen ska fortsätta vara säker och effektiv att använda. Följ underhållsinstruktionerna noggrant.

- ◆ Rengör maskinen före underhållsarbeten för att undvika att utsättas för skadliga ämnen. Se "Faror med damm och ångor"
- ◆ Använd endast originaldelar. Eventuella skador eller fel som uppstår genom användning av ej godkända delar täcks inte av garantin eller tillverkarens produktansvar.
- ◆ Följ gällande föreskrifter för hälsa och säkerhet och sörg för god ventilation vid rengöring av mekaniska delar med lösningsmedel.
- ◆ Kontakta din närmaste auktoriserade verkstad för mer omfattande service av maskinen.
- ◆ Kontrollera att maskinens vibrationsnivå är normal efter varje servicetillfälle. Vid onormal vibrationsnivå kontakta din närmaste auktoriserade verkstad.

Skillnader mellan originaldelar och kopior

När du köper en del är det första du ska göra att kontrollera att delen verkligen kommer från Atlas Copco. De flesta delar kan identifieras.



Delar till bergborrar är normalt märkta med ett artikelnummer och Atlas Copcos symbol, en cirkel med en bergborr. I vissa fall är delen märkt med enbart cirkeln eller enbart artikelnumret.

Delar i gummi och plast är normalt inte märkta.

Konkurrenter som kopierar våra delar märker ofta upp större och dyrare delar. Vissa delar har bara artikelnumret, men vissa av dem har även en identitetsmarkering i form av tillverkarens initialer. Artikelnumren på kopiorna är för det mesta stämplade för hand vilket resulterar i oregelbundenheter. Artikelnumren som stämplas av Atlas Copco är regelbundna och de olika siffrorna är av samma storlek. Dessutom är djupet på siffrorna och avståndet mellan siffrorna i varje grupp detsamma.

Dagligen

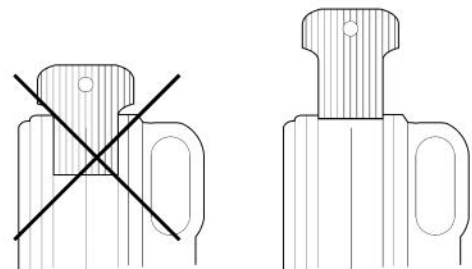
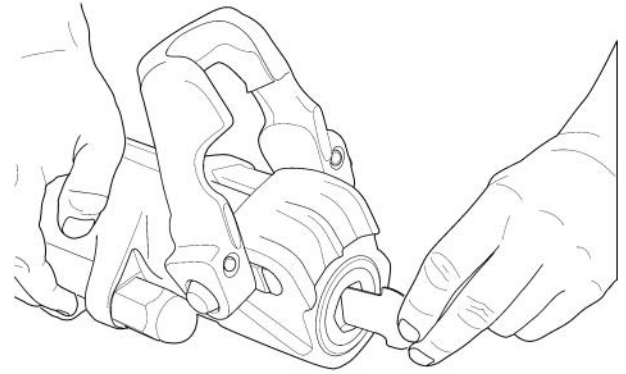
Stäng alltid av tryckluftförsörjningen och lufta maskinen genom att trycka in start- och stoppanordningen innan du utför underhåll eller byter insatsverktyg på tryckluftsmaskiner. Koppla därefter bort luftslangen från maskinen.

- ◆ Rengör och kontrollera maskinen och dess funktioner dagligen innan arbetet börjar.
- ◆ Genomför en allmän inspektion för att identifiera eventuella läckor eller skador.
- ◆ Kontrollera att luftnippeln är åtdragen och att klokopplingen är oskadad.
- ◆ Kontrollera gashandtagets funktion. Se till så att det rör sig fritt uppåt och nedåt.
- ◆ Kontrollera verktygshållarens funktion. Se till att det låser fast borrstålet.
- ◆ Byt omedelbart ut skadade delar.
- ◆ Byt ut slitna delar i god tid.
- ◆ Kontrollera alla bultar på maskinen och se till att de är åtdragna.
- ◆ Om maskinen är utrustad med en ljuddämpare ska denna kontrolleras för eventuella skador.

Slitagekontroll

1. Kontrollera slitaget i borrbusningen med Atlas Copco tolk (**3091 0038 00**) (22 mm).

Om slitagegränsen har överskridits slits borrstålets nacke snabbare eller blir deformerad. Detta leder till driftstopp och ökad borrstålsförbrukning.

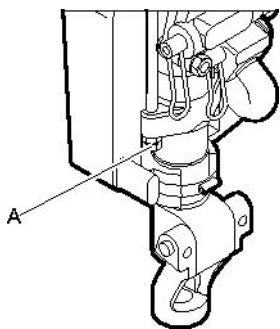


2. Kontrollera slangar, kopplingar och reglage för att se om det finns några läckor eller skador.
3. Kontrollera att bergborren får tillräckligt med smörjning. Fyll smörjapparaten vid behov.
4. Töm vattenavskiljaren.

Regelbundet underhåll

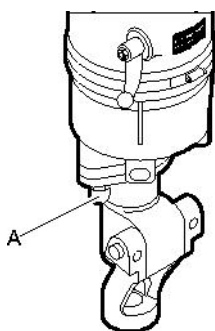
Efter varje driftsperiod om ungefär 100 arbetstimmar eller tre gånger om året måste maskinen tas isär och alla delar rengöras och kontrolleras. Detta arbete skall utföras av behörig personal som är utbildad för denna uppgift.

Åtdragningsmoment



RH 571-5L/LS, RH 572E

A. Mutter till sidobult, 90 Nm (66 ft.lbf)



RH 658L/LS

A. Mutter till sidobult, 125 Nm (92 ft.lbf)

Skademönster

Utslitna eller skadade delar måste alltid kontrolleras noggrant innan de byts ut. De kan ge viktig information om borrens skick och hur den används och underhålls.

Problem	Orsak
Ståldelar har en blåaktig färg	Delarna har utsatts för alltför hög värme. Detta kan ha orsakats av otillräcklig smörjning eller tomgång
Ståldelar har små, nästan mikroskopiska, sprickor på slitytorna	Se ovan
Det finns oregelbundna håligheter på ytan på bronsdelar	Se ovan
Det finns skärmärken	Sekundär skada Det finns smuts inuti borren
	Skevheter inuti bormaskinen på grund av ojämn åtdragning av sidobultarna

Förvaring

- Olja alltid in bergborren ordentligt innan du lägger undan den för förvaring.
- Förvara alltid maskinen på en ren och torr plats.
- Se till att inga främmande föremål tränger in i maskinen.
- Skydda borrhylsan med hjälp av den plastplugg som medföljer maskinen. Alternativt går det även att använda en träplugg eller lite rent bomullstrassel.
- Vid långtidsförvaring ska du hälla lite olja direkt i bergborrens luftintag och sedan sätta på luften en liten stund. Detta skyddar maskinen mot korrosion.

Kassering

En uttjänt maskin skall hanteras och kasseras på ett sådant sätt att största möjliga del av materialet kan återvinnas. All form av negativ inverkan på miljön skall i möjligaste mån undvikas och lokala begränsningar respekteras.

Tekniska specifikationer

Maskindata

Modell	Artikelnr.	Cylinderlopp mm (in.)	Slaglängd mm (in.)	Total längd mm (in.)	Vikt kg (lb)	Nacke mm (in.)
RH 571-5L	8311 0301 29	55 (2,16)	60 (2,36)	510 20	17,8 (39,2)	22 X 108 (7/8 x 4 1/4)
RH 571-5LS	8311 0301 37	55 (2,16)	60 (2,36)	510 20	18,9 (41,7)	22 X 108 (7/8 x 4 1/4)
RH 572E	8311 0301 78	55 (2,16)	60 (2,36)	583 23	22,8 (50,2)	22 X 108 (7/8 x 4 1/4)
RH 658L	8311 0302 86	65 (2,56)	59 (2,32)	565 22 1/4	24,0 (52,9)	22 X 108 (7/8 x 4 1/4)
RH 658LS	8311 0302 87	65 (2,56)	59 (2,32)	565 22 1/4	25,0 (55,1)	22 X 108 (7/8 x 4 1/4)

Modell	Luftförbrukning (6 bar) l/s (foot ³ /min)	Slaghastighet (6 bar) Hz	Håldiameter mm (in.)
RH 571-5L	39 (83)	35	28-34 (1,10-1,34)
RH 571-5LS	39 (83)	33	28-34 (1,10-1,34)
RH 572E	37 (78)	34	28-34 (1,10-1,34)
RH 658L	58 (123)	34	29-40 (1,14-1,57)
RH 658LS	58 (123)	34	29-40 (1,14-1,57)

Buller- och vibrationsdeklaration

Garanterad ljudeffektnivå **L_w** enligt ISO 3744 i enlighet med direktiv 2000/14/EG.

Ljudtrycksnivå **L_p** enligt ISO 11203.

Vibrationsvärde **A** och osäkerhet **B** fastställt enligt ISO 20643. Se tabellen "Buller- och vibrationsdata" för värden på A, B etc.

Dessa deklarerade värdena har erhållits genom laborietester i enlighet med nämnda direktiv eller standarder och är lämpliga att jämföra med deklarerade värden för andra verktyg som testats i enlighet med samma direktiv eller standarder. Dessa deklarerade värden är inte lämpliga att använda vid riskbedömningar. Värden som uppmäts på enskilda arbetsplatser kan vara högre. De faktiska exponeringsvärdena och de skaderisker som en enskild användare utsätts för är unika och beror på personens arbetssätt, i vilket material maskinen används, användarens exponeringstid och fysiska kondition samt maskinens skick.

Atlas Copco Construction Tools AB kan inte hållas ansvarigt för konsekvenserna av att de deklarerade värdena används, istället för värden som återspeglar den faktiska exponeringen vid en enskild riskbedömning i en arbetsplatssituation över vilken Atlas Copco Construction Tools AB inte har någon kontroll.

Det här verktyget kan orsaka hand-/armvibrationssyndrom om det inte används på rätt sätt. En EU-guide som tar upp frågor om hand-/armvibrationer finns tillgänglig på <http://www.humanvibration.com/EU/VIBGUIDE.htm>

Vi rekommenderar någon form av hälsoövervakningsprogram för att upptäcka tidiga symptom som kan hänföras till exponering för vibrationer, så att åtgärder kan vidtas för att förebygga framtida försämring.

Buller- och vibrationsdata

Modell	Buller		Vibrationer	
	Deklarerade värden		Deklarerade värden	
	Ljudtryck	Ljudeffekt	Värden i tre riktningar	
	ISO 11203	2000/14/EG	ISO 20643	
	Lp r=1m dB(A) rel 20µPa	Lw garanterat dB(A) rel 1pW	A m/s ² värde	B m/s ² spridning
RH 571-5L	106	119	23,2	2,8
RH 571-5LS	99	112	23,2	2,8
RH 572E	100	113	9,7	1,9
RH 658L	106	116	21,2	2,6
RH 658LS	99	112	21,2	2,6

Tillbehör

Beskrivning	Anmärkning	Antal	Artikelnummer
CLG 30, europeisk typ	För både mineral- och syntetolja	1	8202 5102 39
BLG 30, europeisk typ	För mineralolja	1	8202 5102 05
VAM 01, europeisk typ	Luftflöde <50 l/s (106 ft ³ /min)	1	8092 0110 58
VAM 5A, europeisk typ	Luftflöde <120 l/s (254 ft ³ /min)	1	8092 0110 82
Gummislang, förmonterad	20 mm (¾")	1	9030 2047 00
X-LITE flatslang, universal	20 mm (¾")	1	9030 2115 00
Rock Drill AIR-OIL	4 l	1	8099 0201 04
Rock Drill AIR-OIL	10 l	1	8099 0201 10

EG-deklaration om överensstämmelse

EG-deklaration om överensstämmelse (EG-direktiv 2006/42/EG)

Vi, Atlas Copco Construction Tools AB, försäkrar härmed att nedanstående maskiner uppfyller bestämmelserna i EG-direktiv 2006/42/EG (Maskindirektivet), samt nedanstående harmoniserade standarder.

Bergbormaskiner	Artikelnummer	Maxtryck (bar)
RH 571-5L	8311 0301 29	7
RH 571-5LS	8311 0301 37	7
RH 572E	8311 0301 78	7
RH 658L	8311 0302 86	7
RH 658LS	8311 0302 87	7

Auktoriserad representant för teknisk dokumentation:

Erik Sigfridsson
Atlas Copco Constructions Tools AB
Dragonvägen 2
Kalmar

Produktbolagschef:

Erik Sigfridsson

Tillverkare:

Atlas Copco Constructions Tools AB
105 23 Stockholm
Sweden

Ort och datum:

Kalmar, 2010-01-01

Any unauthorized use or copying of the contents or any part thereof is prohibited.
This applies in particular to trademarks, model denominations, part numbers, and
drawings.

© 2010 Atlas Copco Construction Tools AB | No. 9800 0970 90 | 2010-01-01

Atlas Copco

www.atlascopco.com