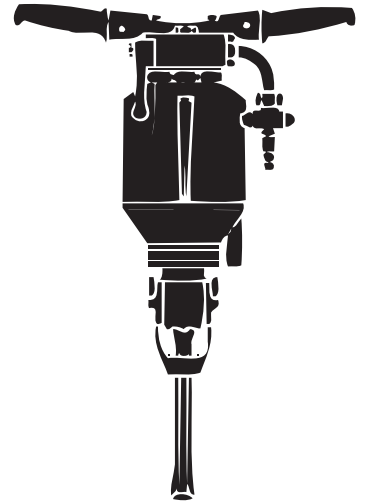


Spare parts list

Rock drills



Contents

General information.....	5
Spare parts list.....	6
BBD 12T-01.....	6
BBD 12TS-01.....	8
Accessories.....	10
Optional equipment.....	10
Rock drill AIR-OIL.....	10

General information

This spare parts list applies to the following:

Part number	Description
8311 0102 95	Rock drill BBD 12T-01
8311 0102 98	Rock drill BBD 12TS-01

Use only authorized parts. Any damage or malfunction caused by the use of unauthorized parts is not covered by Warranty or Product Liability. Any unauthorized use or copying of the contents or any part thereof is prohibited. This applies in particular to trademarks, model denominations, part numbers, and drawings.

Instructions for use

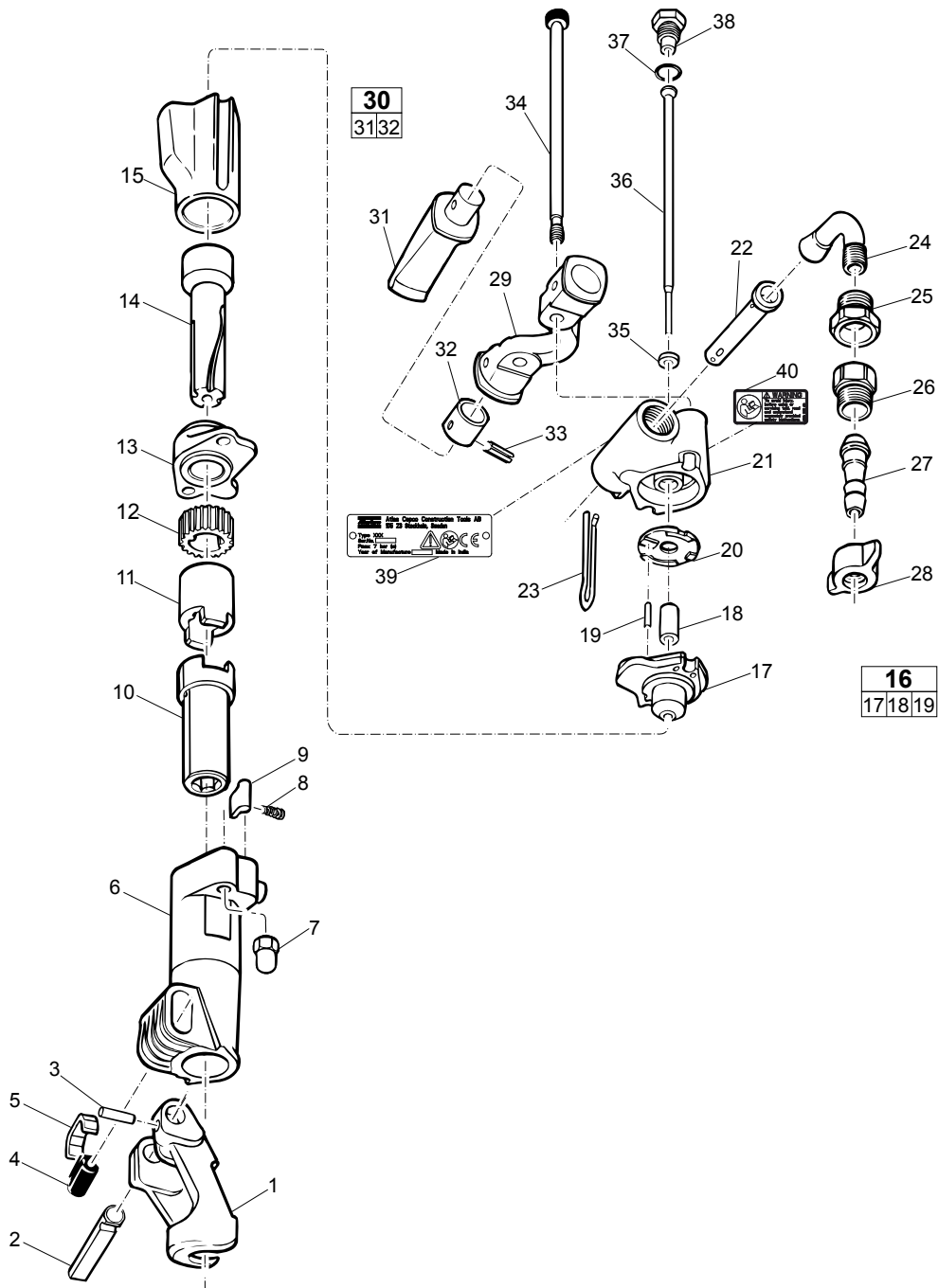
This spare parts list contains no safety regulations and is merely intended to assist in the ordering of spare parts.

For information about operating, servicing, or repairing, the relevant Safety and operating instructions must be consulted at all costs.

Please observe the safety instructions listed in the relevant Safety and operating instructions!

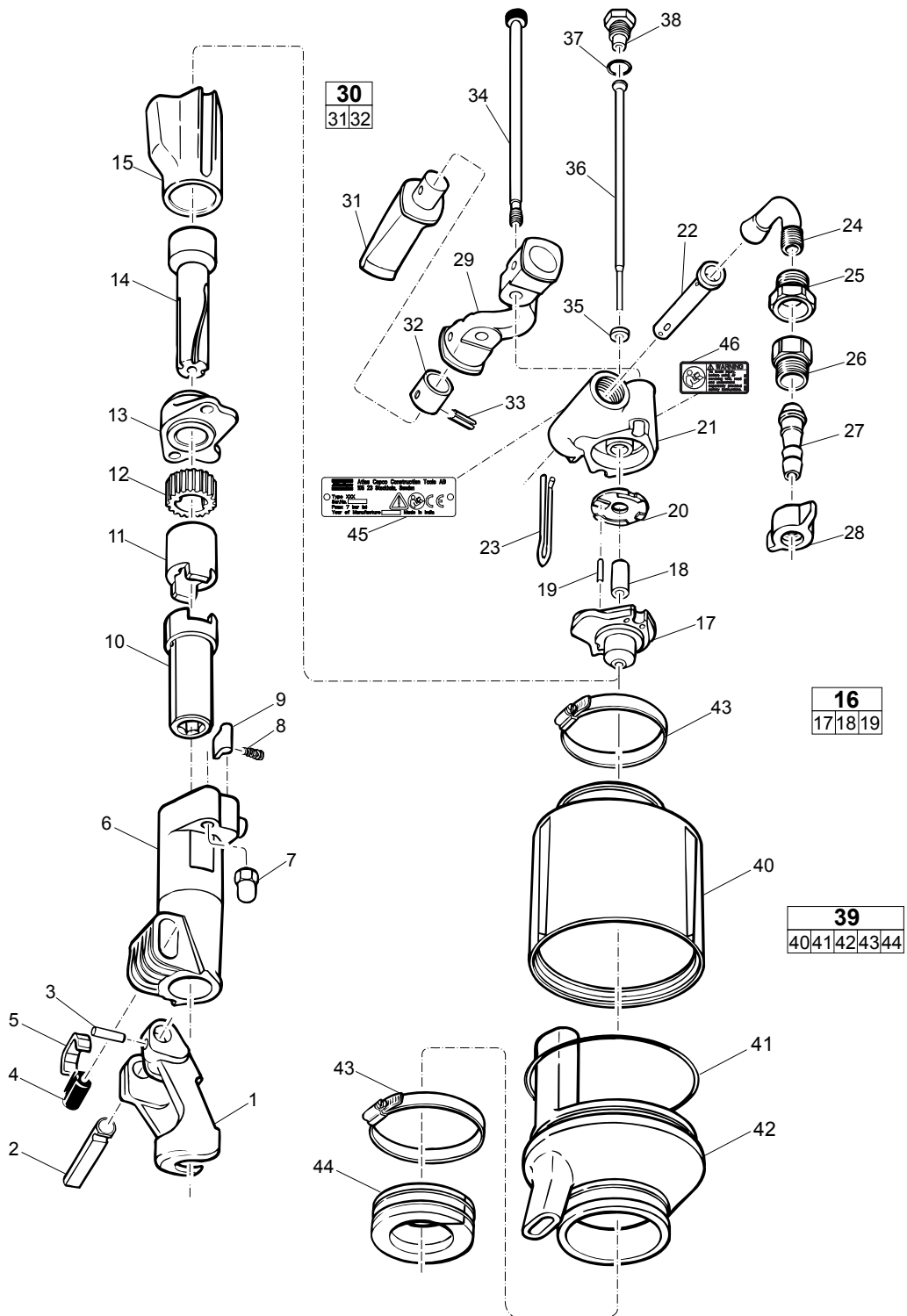
Spare parts list

BBD 12T-01



No.	Description	Remark	Quantity	Part number
1	Drill retainer		1	3115 2475 00
2	Retainer pin		1	3115 2068 00
3	Slotted spring pin	Ø 8 x 32 mm Ø 0.31 x 1.26 in.	1	0108 1359 00
4	Rubber buffer		1	3111 0057 00
5	Buffer plate		1	3111 0056 00
6	Front head		1	3111 0053 00
7	Cap nut		2	3111 0062 00
8	Conical spring		2	3111 0023 00
9	Pawl		2	3111 0020 00
10	Drill chuck	Hexagon 22 x 108 mm Hexagon 7/8 x 4 1/4 in.	1	3111 0066 00
11	Driver		1	3111 0024 00
12	Ratchet wheel		1	3111 0019 00
13	Intermediate part		1	3111 0017 00
14	Piston		1	3111 0050 00
15	Cylinder		1	3111 0015 00
16(17-19)	Cover, complete		1	3111 0047 80
17	Cover		1	-
18	Bushing		1	3111 0048 00
19	Pin	Ø 4 x 22 mm Ø 0.16 x 0.87 in.	1	0108 3241 00
20	Main valve		1	3111 0049 00
21	Throttle housing		1	3115 2096 00
22	Valve		1	3115 1967 00
23	Throttle lever		1	3115 2086 00
24	Inlet nipple		1	3111 0044 00
25	Adapter		1	3111 0043 00
26	Adapter		1	3000 5825 02
27	Hose nipple	19 mm 3/4 in.	1	3115 1543 00
28	Wing nut		1	9000 0338 00
29	Handle bracket		1	3115 0811 00
30(31-32)	Handle, complete		1	3310 0569 80
31	Handle		2	-
32	Bushing		2	3310 0572 00
33	Pin	Ø 8 x 36 mm Ø 0.31 x 1.42 in.	2	0108 1360 00
34	Side bolt		2	3111 0061 00
35	Gasket		1	3000 0121 00
36	Flushing tube		1	3111 0045 00
37	O-ring	Ø 17.3 x 2.4 mm Ø 0.68 x 0.09 in.	1	0663 2124 00
38	Plug		1	3111 0046 00
39	Data plate		1	-
40	Safety label		1	3310 1602 00

BBD 12TS-01



No.	Description	Remark	Quantity	Part number
1	Drill retainer		1	3115 2475 00
2	Retainer pin		1	3115 2068 00
3	Slotted spring pin	Ø 8 x 32 mm Ø 0.31 x 1.26 in.	1	0108 1359 00
4	Rubber buffer		1	3111 0057 00
5	Buffer plate		1	3111 0056 00
6	Front head		1	3111 0053 00
7	Cap nut		2	3111 0062 00
8	Conical spring		2	3111 0023 00
9	Pawl		2	3111 0020 00
10	Drill chuck	Hexagon 22 x 108 mm Hexagon 7/8 x 4 1/4 in.	1	3111 0066 00
11	Driver		1	3111 0024 00
12	Ratchet wheel		1	3111 0019 00
13	Intermediate part		1	3111 0017 00
14	Piston		1	3111 0050 00
15	Cylinder		1	3111 0015 00
16(17-19)	Cover, complete		1	3111 0047 80
17	Cover		1	-
18	Bushing		1	3111 0048 00
19	Pin	Ø 4 x 22 mm Ø 0.16 x 0.87 in.	1	0108 3241 00
20	Main valve		1	3111 0049 00
21	Throttle housing		1	3115 2096 00
22	Valve		1	3115 1967 00
23	Throttle lever		1	3115 2086 00
24	Inlet nipple		1	3111 0044 00
25	Adapter		1	3111 0043 00
26	Adapter		1	3000 5825 02
27	Hose nipple	19 mm 3/4 in.	1	3115 1543 00
28	Wing nut		1	9000 0338 00
29	Handle bracket		1	3115 0811 00
30(31-32)	Handle, complete		1	3310 0569 80
31	Handle		2	-
32	Bushing		2	3310 0572 00
33	Pin	Ø 8 x 36 mm Ø 0.31 x 1.42 in.	2	0108 1360 00
34	Side bolt		2	3111 0061 00
35	Gasket		1	3000 0121 00
36	Flushing tube		1	3111 0045 00
37	O-ring	Ø 17.3 x 2.4 mm Ø 0.68 x 0.09 in.	1	0663 2124 00
38	Plug		1	3111 0046 00
39(40-44)	Silencer, complete		1	8092 0104 56
40	Silencer, upper part		1	3115 2488 00
41	O-ring	Ø 134.5 x 3.0 mm Ø 5.30 x 0.12 in.	1	0663 6151 00
42	Silencer, lower part		1	3115 0772 00
43	Hose clamp	Ø 77-87 mm Ø 3.03 x 3.43 in.	2	0347 6116 00
44	Bushing		1	3115 0773 00
45	Data plate		1	-
46	Safety label		1	3310 1602 00

Accessories

Optional equipment

Description	Dimensions	Quantity	Part number
Lubricator CLG 30, European type claw couplings	For mineral & synthetic oil	1	8202 5102 39
Lubricator CLG 30, US type claw couplings	For mineral & synthetic oil	1	8202 5102 40
Lubricator BLG 30, European type claw couplings	For mineral oil	1	8202 5102 05
Lubricator BLG 30, US type claw couplings	For mineral oil	1	8202 5102 14
Water separator VAM 01, European type claw couplings	Airflow < 50 l/s Airflow < 106 ft ³ /min	1	8092 0110 58
Water separator VAM 01, US type claw couplings	Airflow < 50 l/s Airflow < 106 ft ³ /min	1	8092 0110 59
Water separator VAM 5A, European type claw couplings	Airflow < 120 l/s Airflow < 254 ft ³ /min	1	8092 0110 82
Water separator VAM 5A, US type claw couplings	Airflow < 120 l/s Airflow < 254 ft ³ /min	1	8092 0110 83
Hose nipple (Standard on BBD 12T-01, BBD 12TS-01)	Ø ¾ in. Ø 19 mm	1	3115 1543 00
Rubber hose, pre-mounted with European type claw couplings (3 m)	Ø ¾ in. Ø 19 mm	1	9030 2047 00
Rubber hose, pre-mounted with US type claw couplings (3m)	Ø ¾ in. Ø 19 mm	1	9030 2065 00
X-LITE flat hose, pre-mounted with European type claw couplings (3 m)	Ø ¾ in. Ø 19 mm	1	9030 2163 00
Hose nipple	Ø ½ in. Ø 16 mm	1	9000 0101 00
Rubber hose, pre-mounted with European type claw couplings (3 m)	Ø ½ in. Ø 16 mm	1	9030 2046 00

Rock drill AIR-OIL

Description	Remark	Quantity	Part number
Rock drill AIR-OIL	1 l 0.22 US gal	1	8099 0201 01
Rock drill AIR-OIL	1 l 0.22 US gal	12	8099 0201 81
Rock drill AIR-OIL	4 l 0.88 US gal	1	8099 0201 04
Rock drill AIR-OIL	4 l 0.88 US gal	4	8099 0201 84
Rock drill AIR-OIL	10 l 2.2 US gal	1	8099 0201 10

Any unauthorized use or copying of the contents or any part thereof is prohibited.
This applies in particular to trademarks, model denominations, part numbers, and
drawings.

© 2010 Atlas Copco Construction Tools AB | No. 9800 1152 01 | 2010-06-03

Atlas Copco

www.atlascopco.com