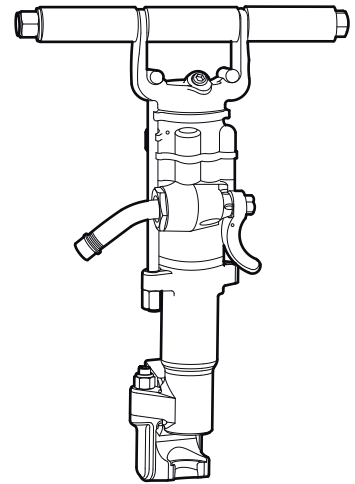




# **Spare parts list**

## **Handheld pneumatic drills**

### **CP 0022KL**





**2009-05**

**No.9800 0517 93a**

© Copyright Chicago Pneumatic Construction Tools  
STOCKHÖLM • SWEDEN



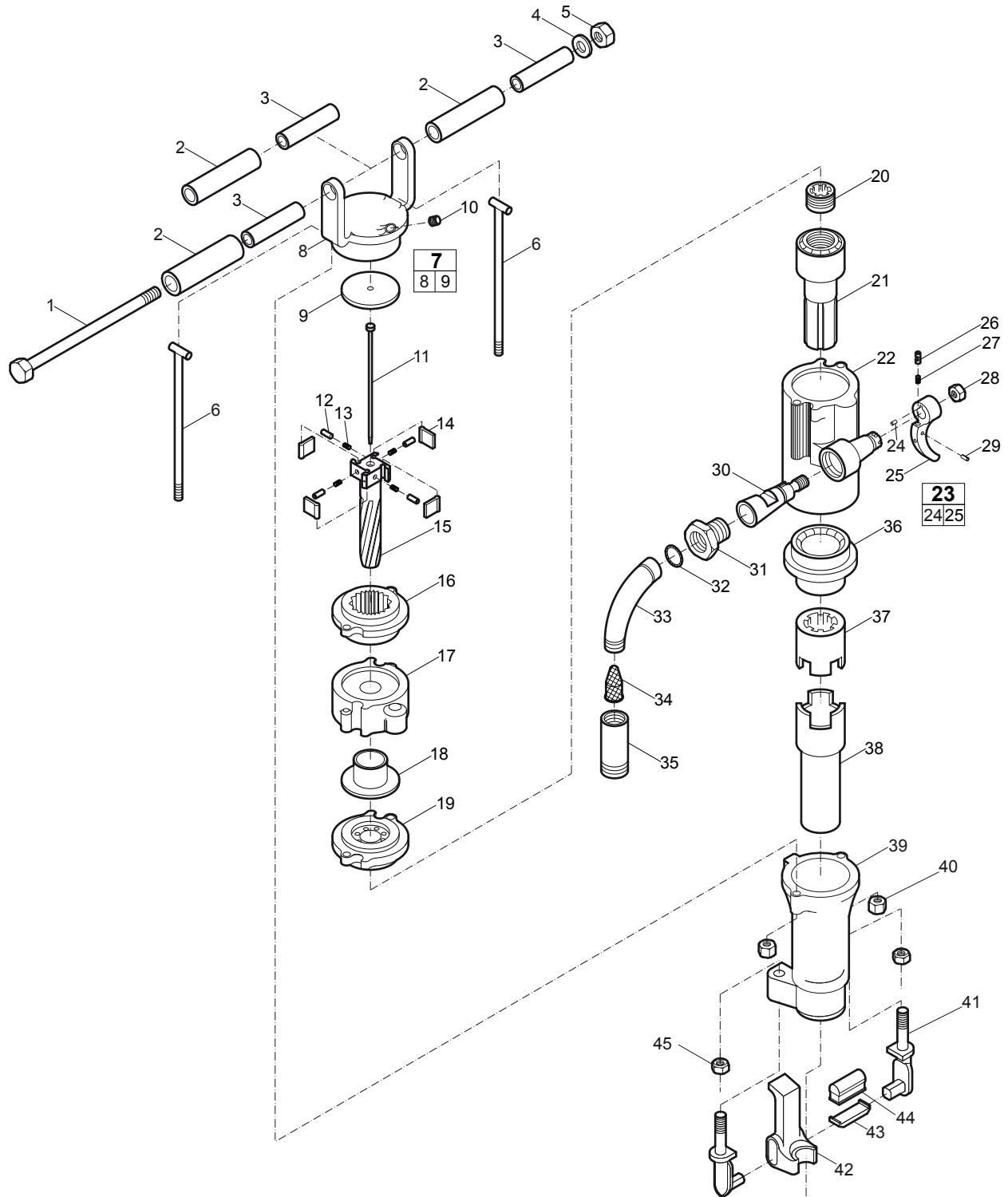
# Contents

<b>Spare parts list</b> .....	4
CP 0022 KL $\frac{7}{8}$ " x $3\frac{1}{4}$ ".....	4
CP 0022 KL $\frac{7}{8}$ " x $4\frac{1}{4}$ ".....	6
<b>Accessories</b> .....	8
Accessories.....	8
<b>Kits</b> .....	9
Vibration handle kit.....	9



# Spare parts list

## CP 0022 KL 7/8" x 3 1/4"



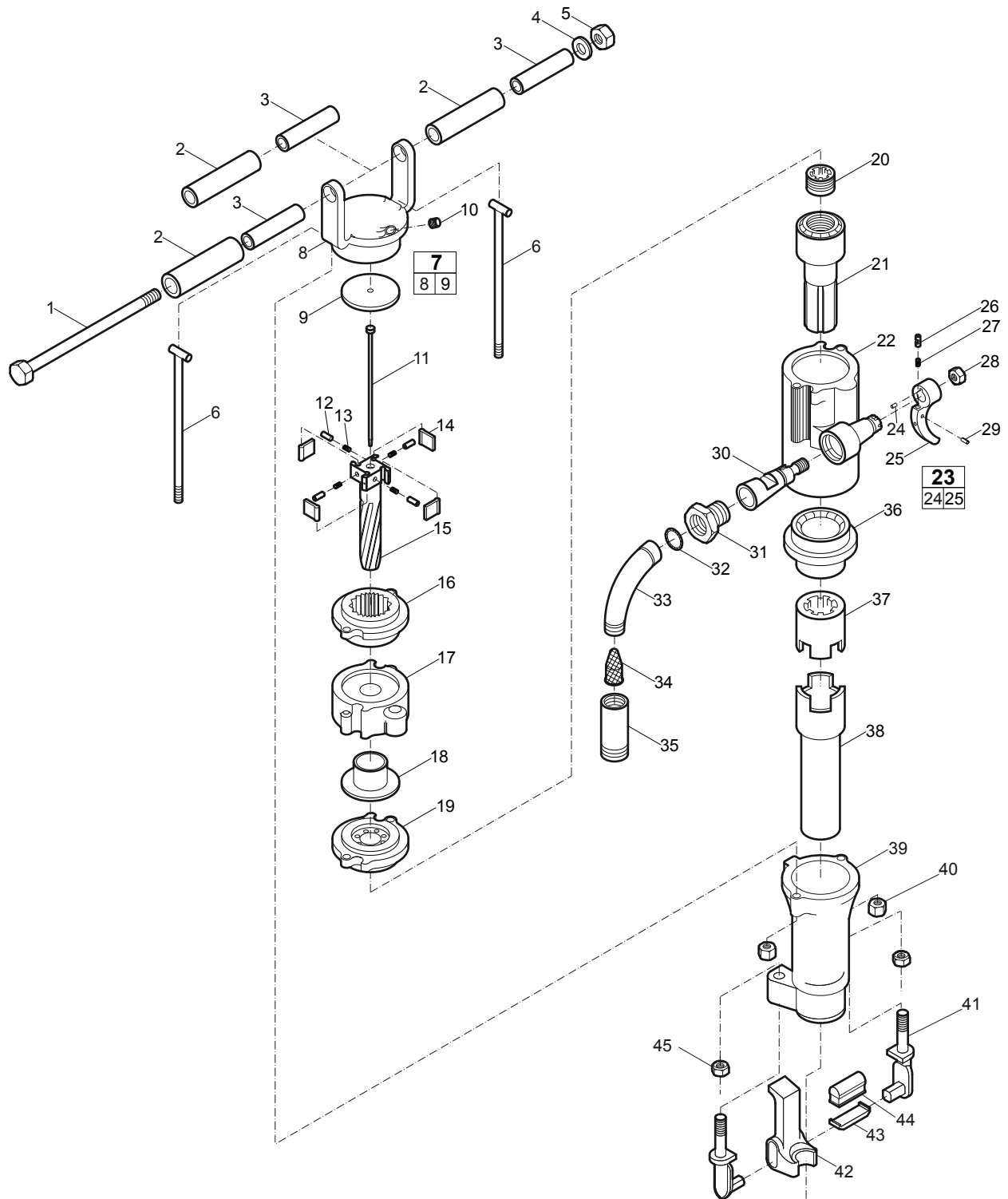


No.	Description	Remark	Quantity	Part number
1	Bolt - Handle		1	R075584
2	Grip - Handle		3	R000692
3	Liner - Handle		3	R000694
4	Washer - Bolt key		1	R000142
5	Nut - Elastic stop		1	R005742
6	Bolt - Thru		2	R075601
<b>7(8-9)</b>	<b>Backhead, complete</b>		1	F035373
8	Backhead		1	-
9	Washer - Backhead		1	R075580
10	Plug - Pipe	3/8"	1	C077941
11	Rod - Air		1	R075598
12	Plunger - Pawl		4	R009224
13	Spring - Pawl plunger		4	R000619
14	Pawl		4	R000617
15	Bar - Rifle		1	R075586
16	Ring - Ratchet		1	R075585
17	Case - Valve		1	R075583
18	Valve		1	R075581
19	Valve seat		1	R075582
20	Nut - Rifle		1	R075587
21	Piston		1	R000037
22	Cylinder		1	R075577
<b>23(24-25)</b>	<b>Throttle handle, complete</b>		1	R075589
24	Key - Throttle handle		1	R075592
25	Handle - Throttle valve		1	-
26	Plunger - Throttle handle		1	R075590
27	Spring - Throttle valve		1	R000528
28	Nut - Elastic stop	1/2" - 20	1	R075593
29	Pin - Throttle handle	3/32" x 5/16"	1	P089767
30	Valve - Throttle		1	R075588
31	Nut - Air swivel		1	R075599
32	O-ring		1	C106884
33	Swivel - Air inlet		1	F814720
34	Screen - Air inlet		1	R005584
35	Sleeve - Air inlet		1	R005744
36	Bushing - Cylinder		1	R075578
37	Nut - Chuck rotation		1	R075597
38	Chuck	7/8" x 3 1/4" (22 x 82.5 mm)	1	R075596
39	Fronthead	7/8" x 3 1/4" (22 x 82.5 mm)	1	3303 0052 12
40	Nut - Through bolt		2	R085164
41	Trunnion		2	3303 0052 16
42	Latch - Retainer		1	3303 0052 18
43	Plate - Buffer		1	3111 0056 00
44	Buffer		1	3111 0057 00
45	Nut - Elastic stop		2	Q2122000





# CP 0022 KL 7/8" x 4 1/4"





No.	Description	Remark	Quantity	Part number
1	Bolt - Handle		1	R075584
2	Grip - Handle		3	R000692
3	Liner - Handle		3	R000694
4	Washer - Bolt key		1	R000142
5	Nut - Elastic stop		1	R005742
6	Bolt - Thru		2	R075601
<b>7(8-9)</b>	<b>Backhead, complete</b>		1	F035373
8	Backhead		1	-
9	Washer - Backhead		1	R075580
10	Plug - Pipe	3/8"	1	C077941
11	Rod - Air		1	R075598
12	Plunger - Pawl		4	R009224
13	Spring - Pawl plunger		4	R000619
14	Pawl		4	R000617
15	Bar - Rifle		1	R075586
16	Ring - Ratchet		1	R075585
17	Case - Valve		1	R075583
18	Valve		1	R075581
19	Valve seat		1	R075582
20	Nut - Rifle		1	R075587
21	Piston		1	R000037
22	Cylinder		1	R075577
<b>23(24-25)</b>	<b>Throttle handle, complete</b>		1	R075589
24	Key - Throttle handle		1	R075592
25	Handle - Throttle valve		1	-
26	Plunger - Throttle handle		1	R075590
27	Spring - Throttle valve		1	R000528
28	Nut - Elastic stop	1/2" - 20	1	R075593
29	Pin - Throttle handle	3/32" x 5/16"	1	P089767
30	Valve - Throttle		1	R075588
31	Nut - Air swivel		1	R075599
32	O-ring		1	C106884
33	Swivel - Air inlet		1	F814720
34	Screen - Air inlet		1	R005584
35	Sleeve - Air inlet		1	R005744
36	Bushing - Cylinder		1	R075578
37	Nut - Chuck rotation		1	R075597
38	Chuck	7/8" x 4 1/4" (22 x 108 mm)	1	R146130
39	Fronthead	7/8" x 4 1/4" (22 x 108 mm)	1	3303 0052 14
40	Nut - Through bolt		2	R085164
41	Trunnion		2	3303 0052 16
42	Latch - Retainer		1	3303 0052 18
43	Plate - Buffer		1	3111 0056 00
44	Buffer		1	3111 0057 00
45	Nut - Elastic stop		2	Q2122000



# Accessories

## Accessories

Description	Remark	Quantity	Part number
Water separator	European version, BSP	1	8900 0050 00
Water separator	US version, NPT	1	8900 0050 01
Lubricator 43	US version claw couplings, NPT	1	8900 0050 03
Lubricator 1300	European version claw couplings, BSP	1	8900 0050 02
RED-X, Air hose	Pre-mounted US 50 ft (15 m)	1	8900 0050 08
RED-X, Air hose	Pre-mounted 20 m (65 ft)	1	8900 0050 09
RED-X, Air hose	60 m (195 ft)	1	8900 0050 10





# Kits

## Vibration handle kit

Description	Remark	Quantity	Part number
Vibration handle kit		1	R154915
Nut - Hexagon		2	R157932
Rod - Threaded		1	R157933







**2009-05**

**No.9800 0517 93a**

© Copyright Chicago Pneumatic Construction Tools  
STOCKHÖLM • SWEDEN

**Chicago Pneumatic Construction Tools**